



US00D345401S

United States Patent [19]

[11] Patent Number: **Des. 345,401**

Kennedy et al.

[45] Date of Patent: **** Mar. 22, 1994**

[54] **TOY ROBOT**

[75] Inventors: **Melvin R. Kennedy**, Hampton Bays, N.Y.; **Avi Arad**, Westport, Conn.

[73] Assignee: **Toy Biz, Inc.**, New York, N.Y.

[**] Term: **14 Years**

[21] Appl. No.: **819,937**

[22] Filed: **Jan. 13, 1992**

[52] U.S. Cl. **D21/150**

[58] Field of Search 273/97, 268, 290-292, 273/376; **D21/150**

[56] References Cited

U.S. PATENT DOCUMENTS

- D. 262,643 1/1982 Wong D21/150
- D. 288,831 3/1987 Man D21/150

OTHER PUBLICATIONS

Hong Kong Toys, 1982, p. 140, lower right, robot.
 Hong Kong Enterprise, May, 1985, p. 105, robot at right.

Primary Examiner—Melvin B. Feifer

Attorney, Agent, or Firm—Amster, Rothstein & Ebenstein

[57] CLAIM

The ornamental design for a toy robot, as shown and described.

DESCRIPTION

FIG. 1 is a front isometric view of a toy robot showing our new design with arm and hip compartments, a ring-holding element on the stomach, and a catcher on the head in an open position;

FIG. 2 is a front elevational view thereof, with the arm and hip compartments, the ring-holding element, and the catcher on the head in a closed position, and the arm now at the side;

FIG. 3 is a rear elevational view of FIG. 2;

FIG. 4 is a left side elevational view thereof, the right side elevational view being a mirror image thereof;

FIG. 5 is a top plan view with the catcher on the head in an open position; and,

FIG. 6 is a bottom plan view thereof.

The removable cap, ball, and ring are illustrated in phantom line as parts of the environment in which the toy robot may be used and forms no part of the claimed design.

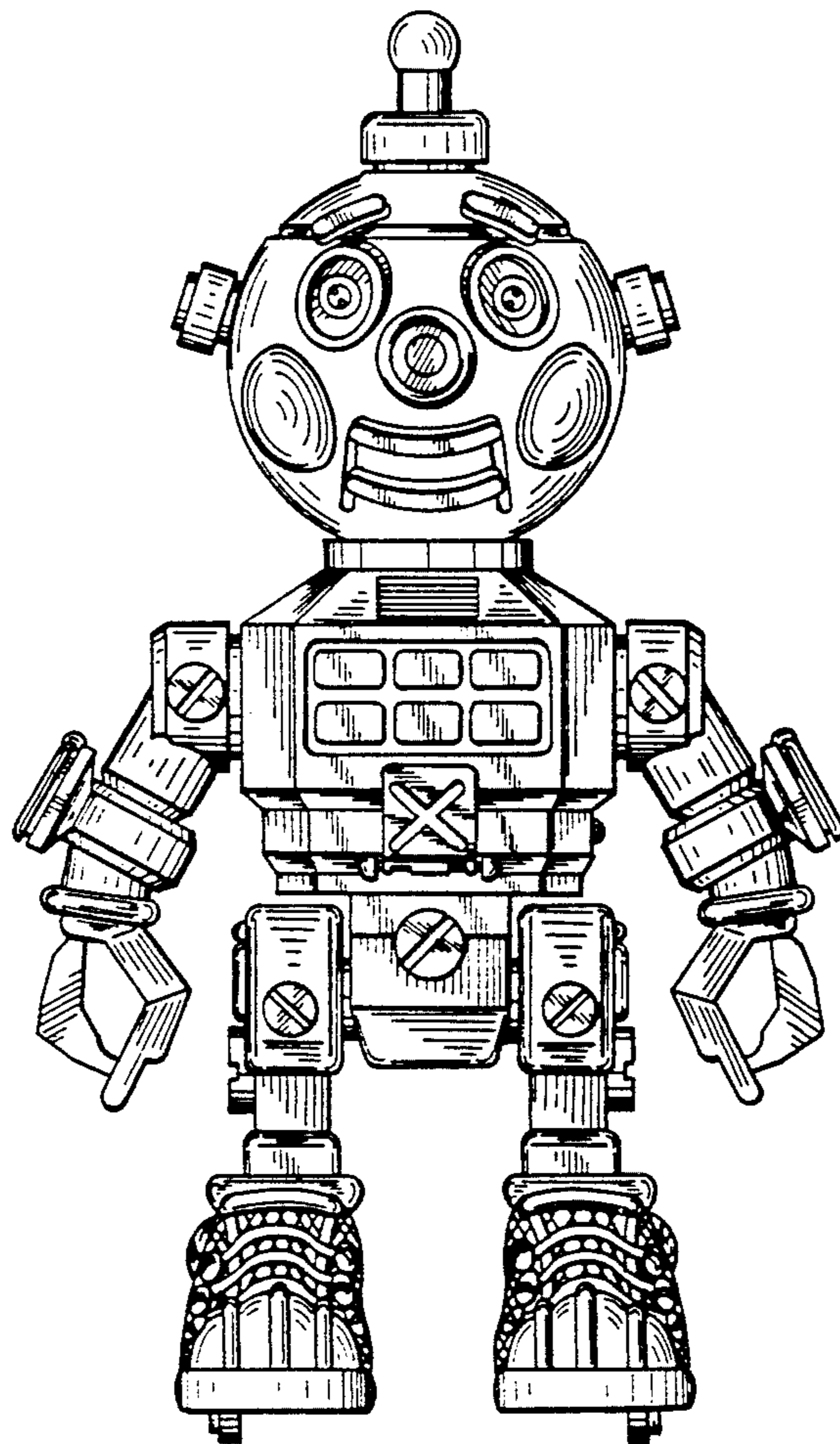


FIG. 1

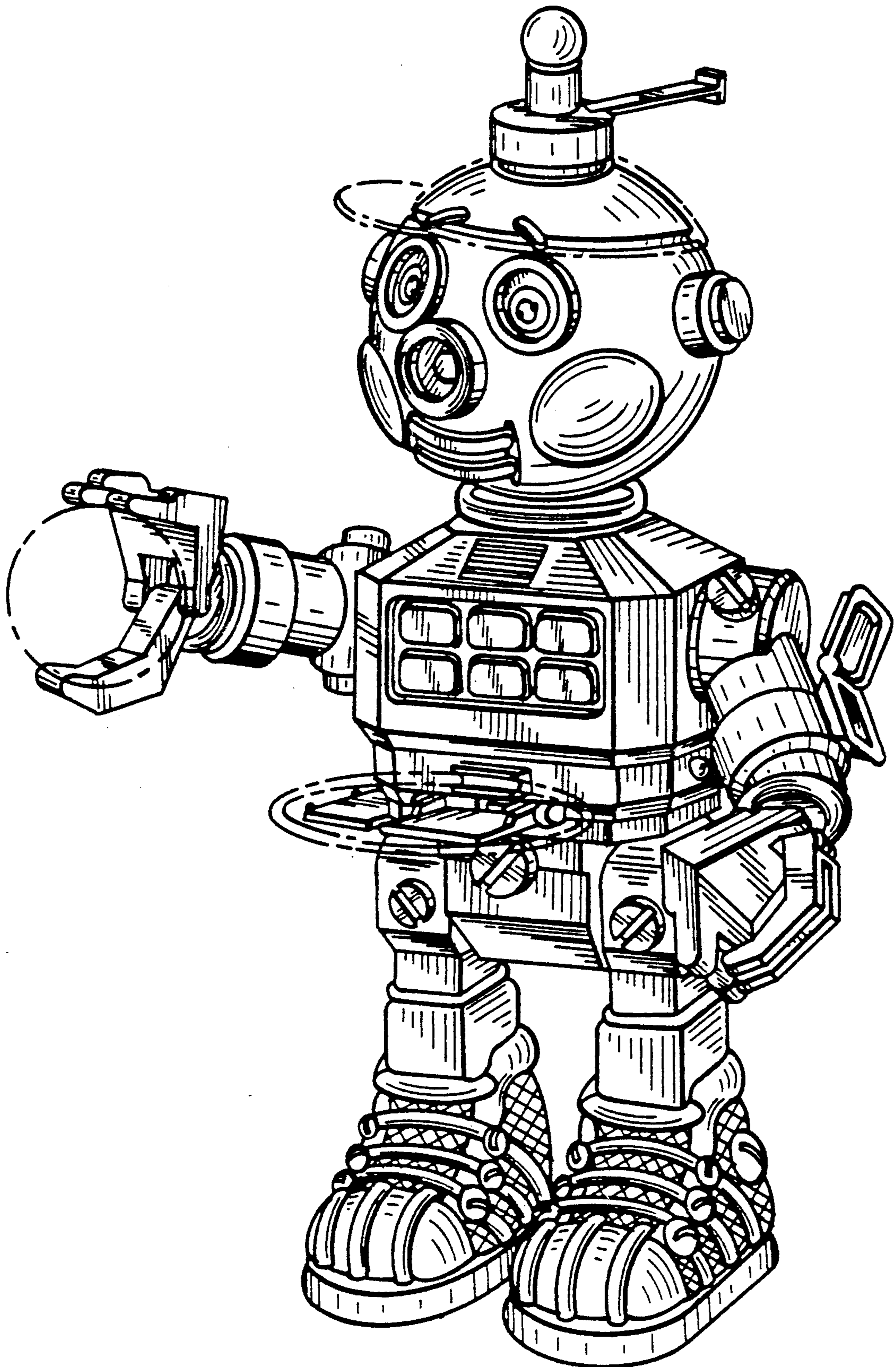


FIG. 2

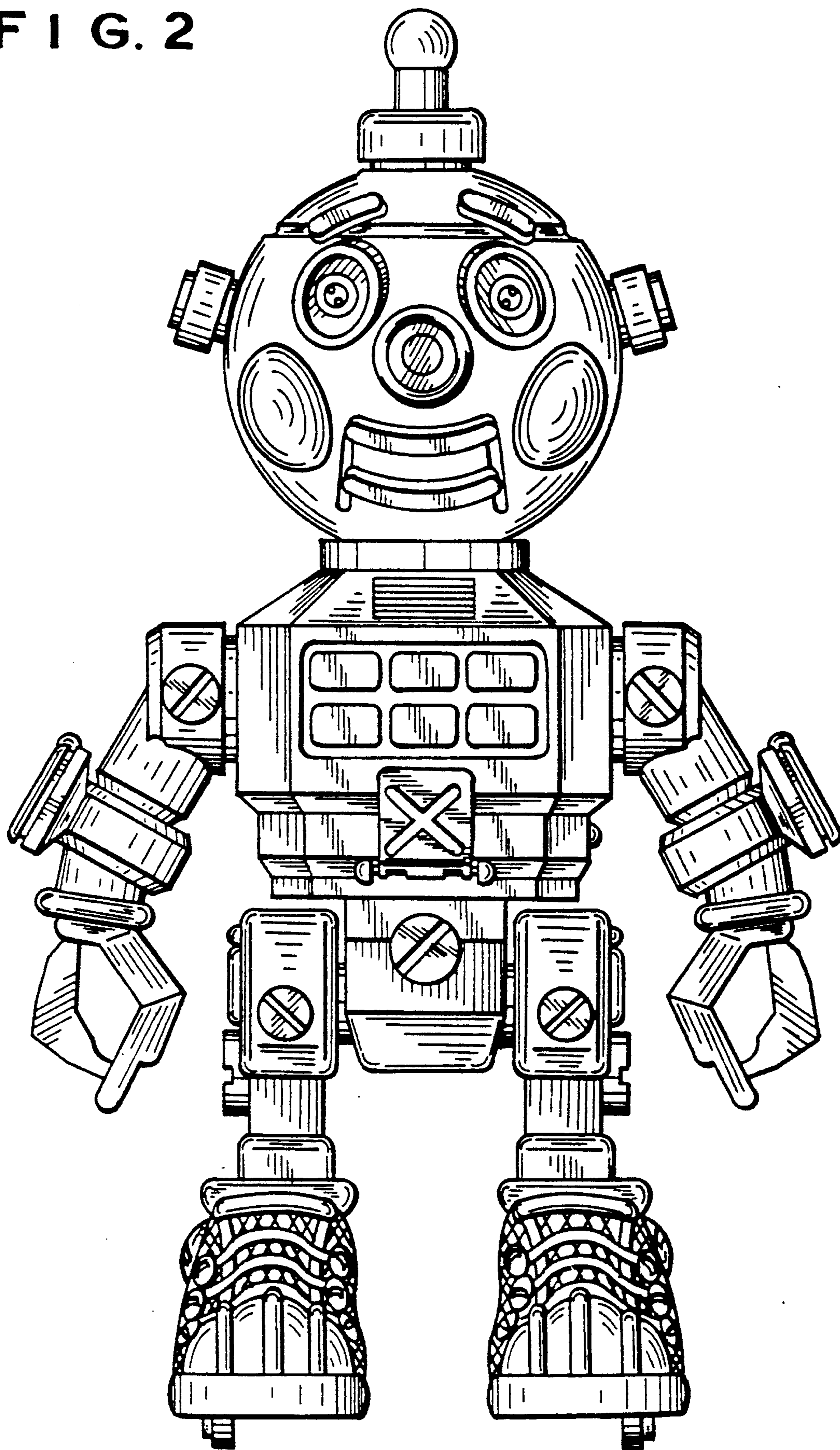


FIG. 3

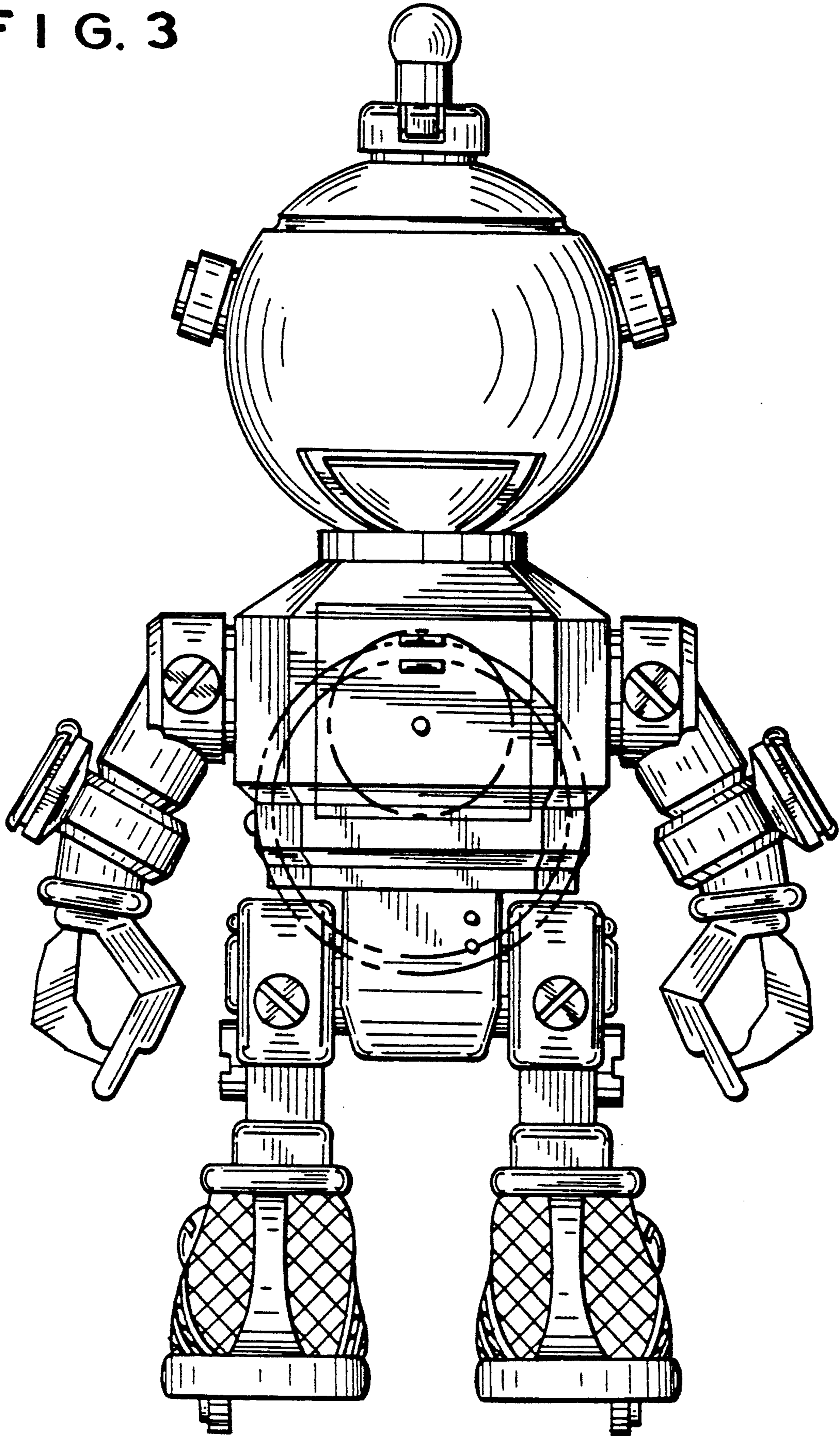


FIG. 4

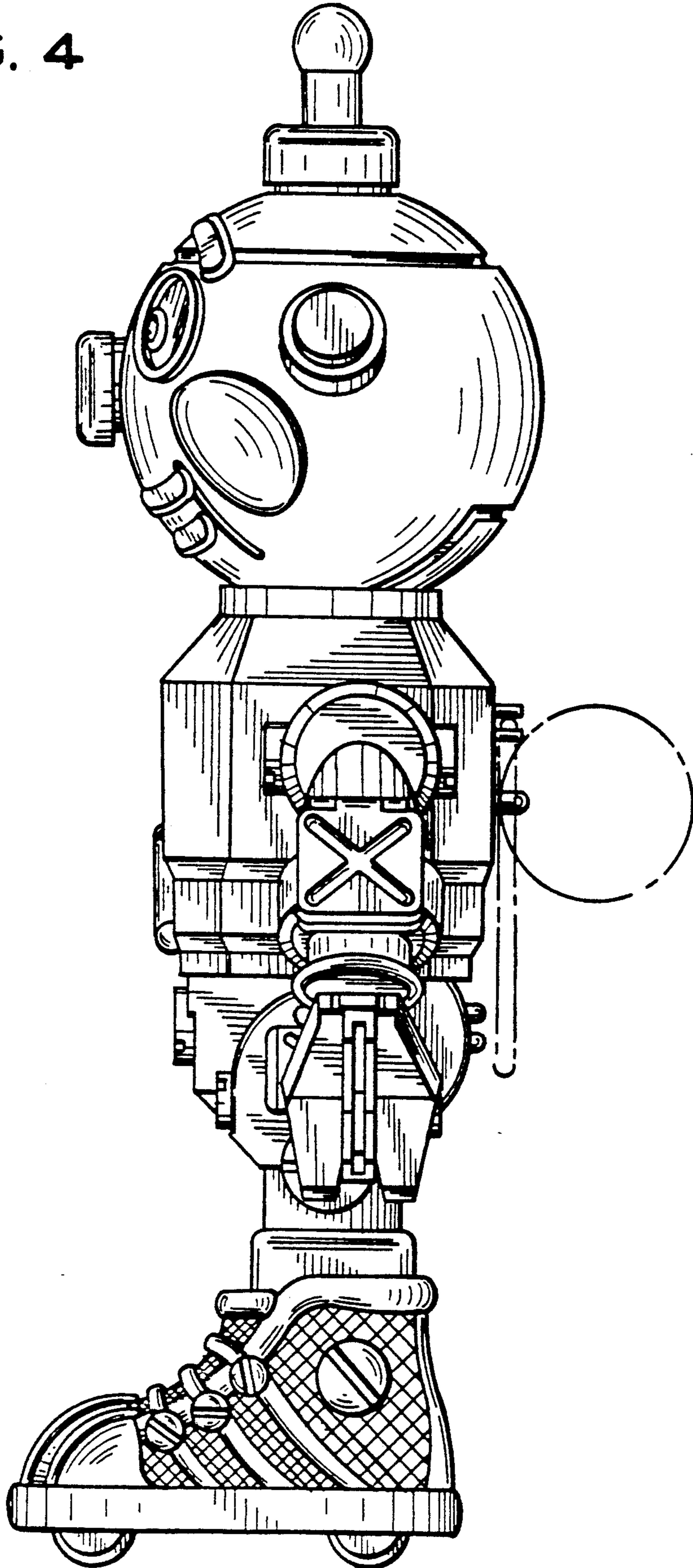


FIG. 5

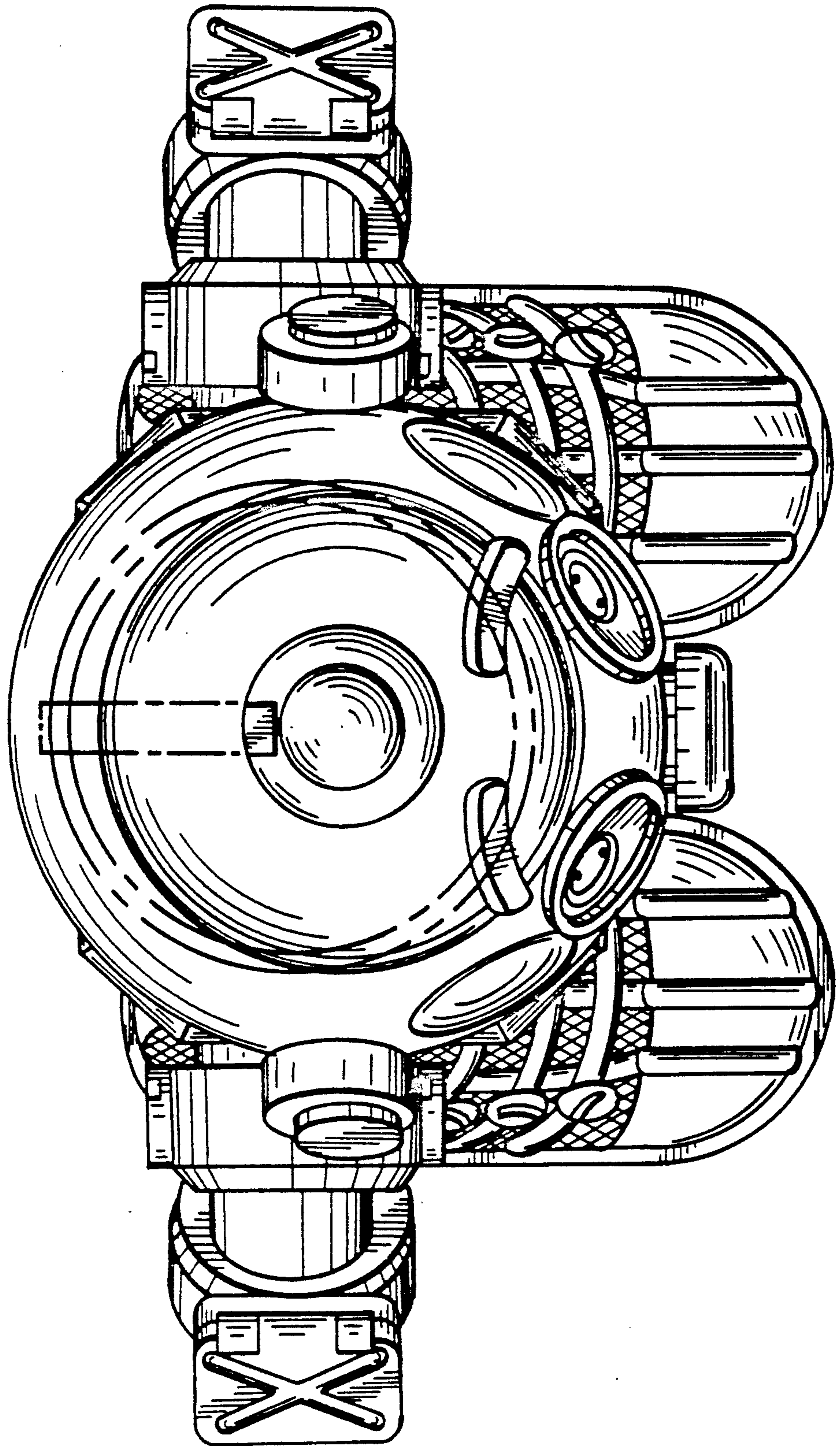


FIG. 6

