



US00D345400S

# United States Patent [19]

[11] Patent Number: Des. 345,400

Pachol et al.

[45] Date of Patent: \*\* Mar. 22, 1994

- [54] TOY HAMBURGER SANDWICH
- [75] Inventors: Stephen J. Pachol, Naperville, Ill.;  
Ferenc Fekete, Huntington Beach,  
Calif.
- [73] Assignee: M-B Sales, A Division of the Havi  
Group L.P., Westmont, Ill.
- [\*\*] Term: 14 Years
- [21] Appl. No.: 892,376
- [22] Filed: Jun. 2, 1992
- [52] U.S. Cl. .... D21/109; D1/106
- [58] Field of Search ..... 446/226, 268, 386, 391;  
D1/101, 108, 106, 111; D21/59, 109, 148, 155,  
157, 168

- D. 311,559 10/1990 Satoh .
- D. 311,560 10/1990 Satoh .
- D. 312,285 11/1990 Kolton .
- D. 312,673 12/1990 Kataoka .
- D. 312,674 12/1990 Satoh .
- D. 312,848 12/1990 Kataoka .
- D. 312,849 12/1990 Kataoka .
- D. 312,850 12/1990 Kataoka .
- D. 312,851 12/1990 Kataoka .
- D. 313,261 12/1990 Satoh .
- D. 313,440 1/1991 Satoh .
- D. 314,999 2/1991 Kataoka .

### OTHER PUBLICATIONS

"We're Cookin'" Fisher-Price catalog 1987 p. 2 Bottom Center of Page.

Primary Examiner—Bernard Ansher  
Assistant Examiner—R. Barkai  
Attorney, Agent, or Firm—Willian Brinks Hofer Gilson & Lione

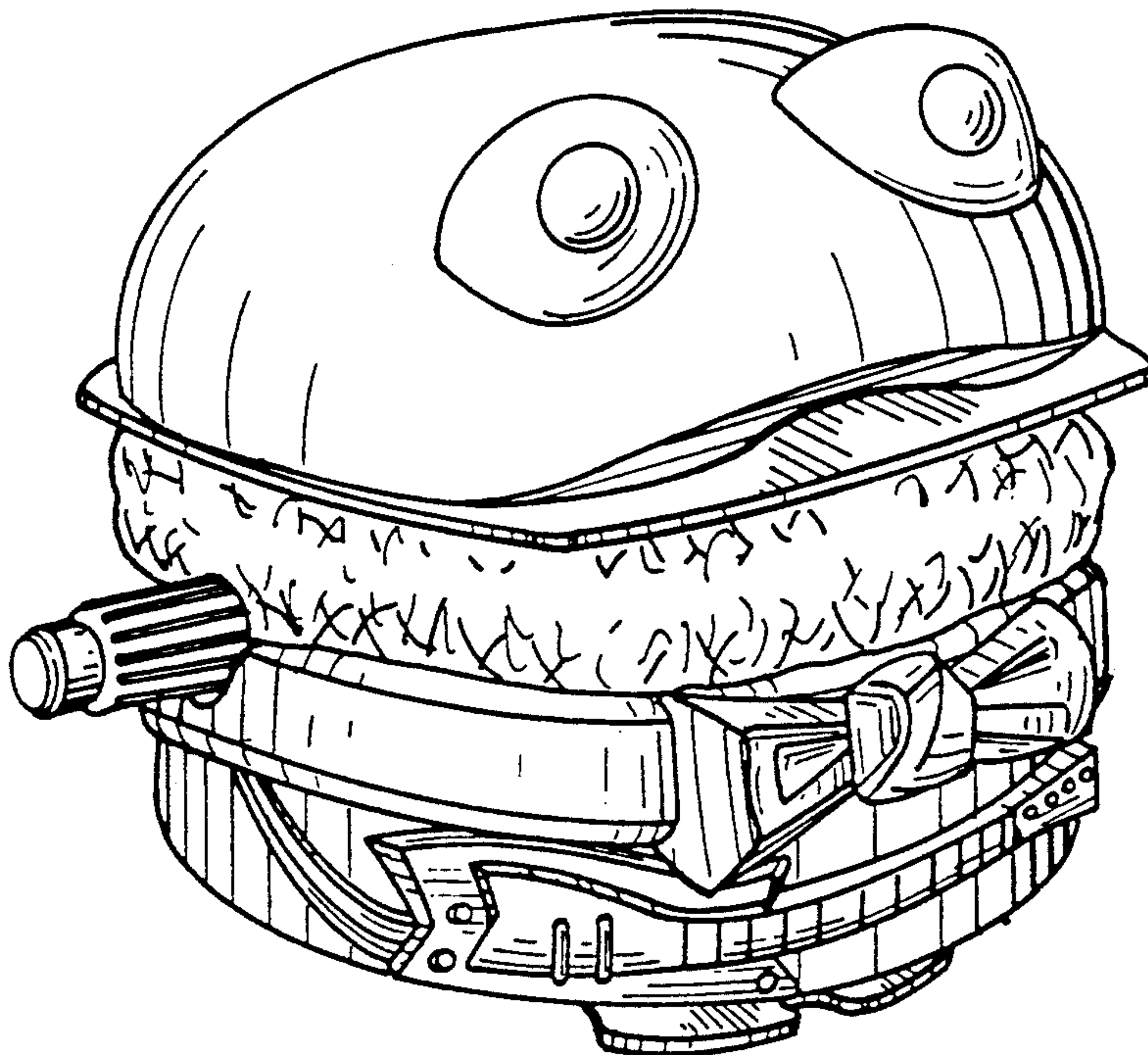
- [56] References Cited
- U.S. PATENT DOCUMENTS
- D. 216,660 3/1970 Corn ..... D21/148
- D. 254,224 2/1980 Papas .
- D. 268,530 4/1983 Ament .
- D. 269,818 7/1983 Ament .
- D. 271,404 11/1983 Chan ..... D21/155
- D. 274,075 5/1984 Doe .
- D. 276,636 12/1984 Paczko .
- D. 276,637 12/1984 Paczko .
- D. 277,216 1/1985 Paczko .
- D. 278,731 5/1985 Cohorst et al. .
- D. 279,699 7/1985 Coyne ..... D21/168
- D. 280,374 9/1985 Breslow et al. .
- D. 292,810 11/1987 Klemans .
- D. 295,653 5/1988 Colclasure ..... D21/155
- D. 310,696 9/1990 Satoh .
- D. 311,044 10/1990 Satoh .

[57] CLAIM

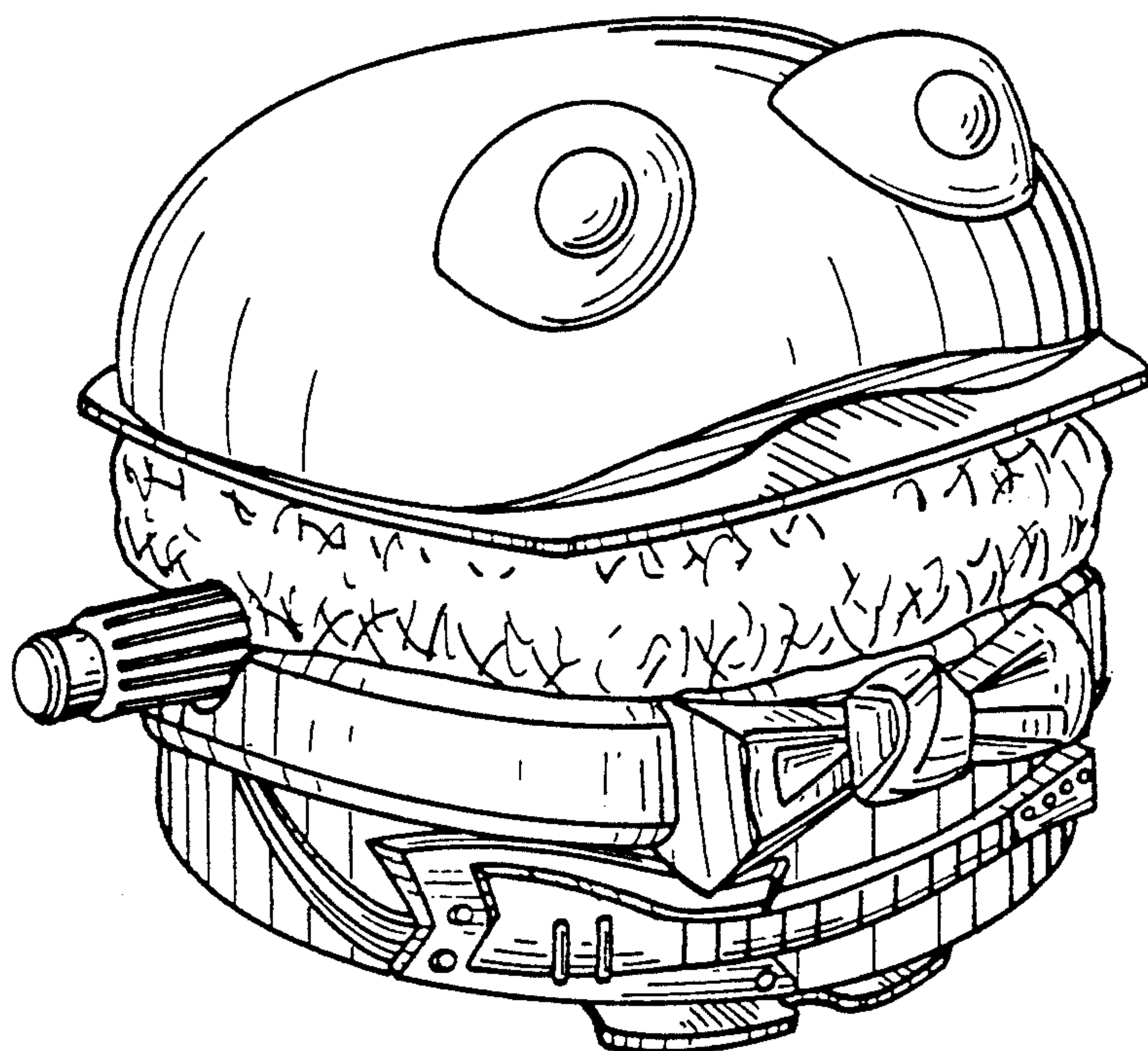
The ornamental design for a toy hamburger sandwich, as shown and described.

### DESCRIPTION

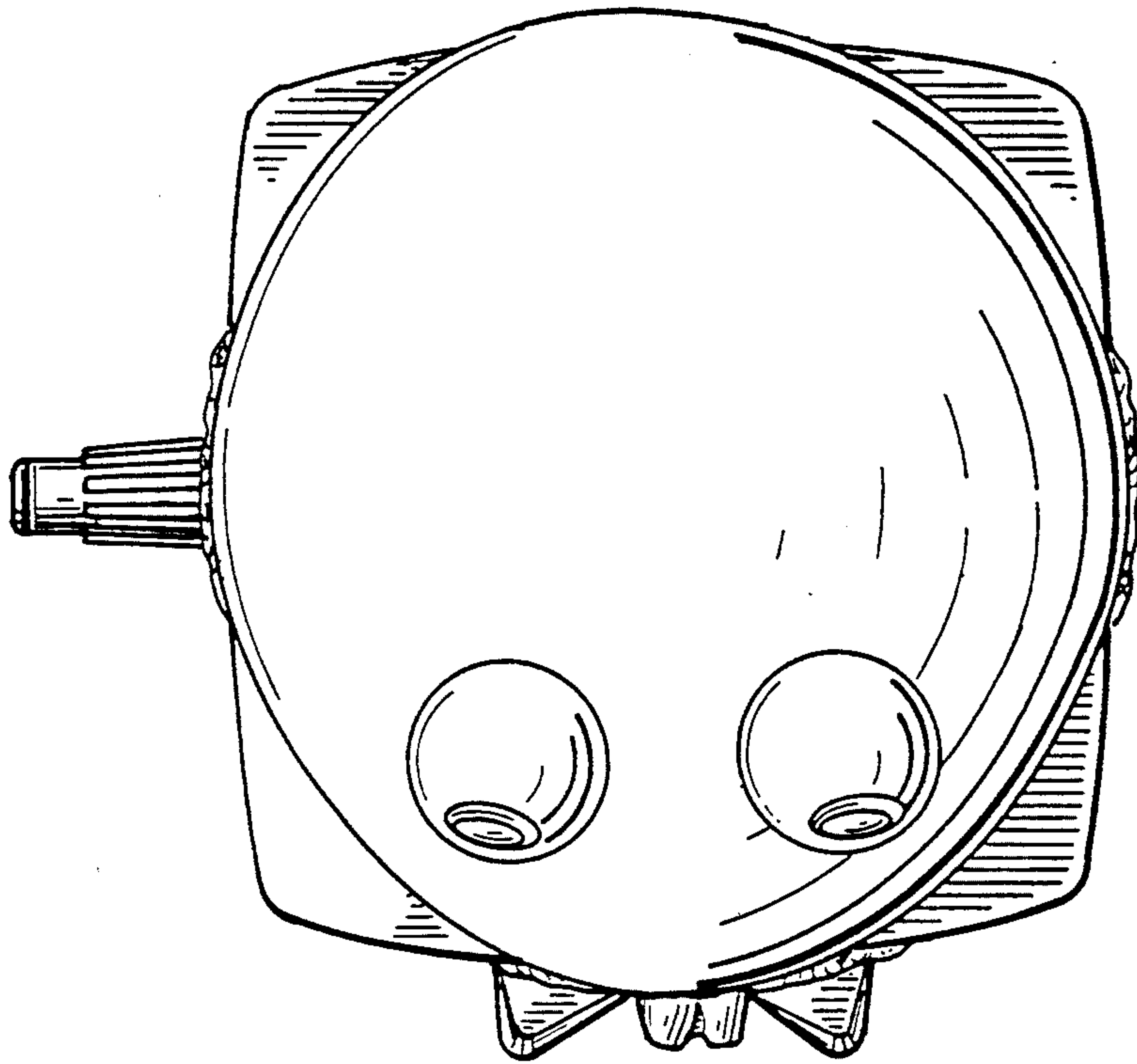
FIG. 1 is a perspective view of a toy hamburger sandwich showing our new design;  
 FIG. 2 is a top plan view thereof;  
 FIG. 3 is a front elevation view thereof;  
 FIG. 4 is a side elevation view thereof;  
 FIG. 5 is a side elevation view thereof opposite that shown in FIG. 4;  
 FIG. 6 is a rear elevation view thereof; and  
 FIG. 7 is a bottom plan view thereof.



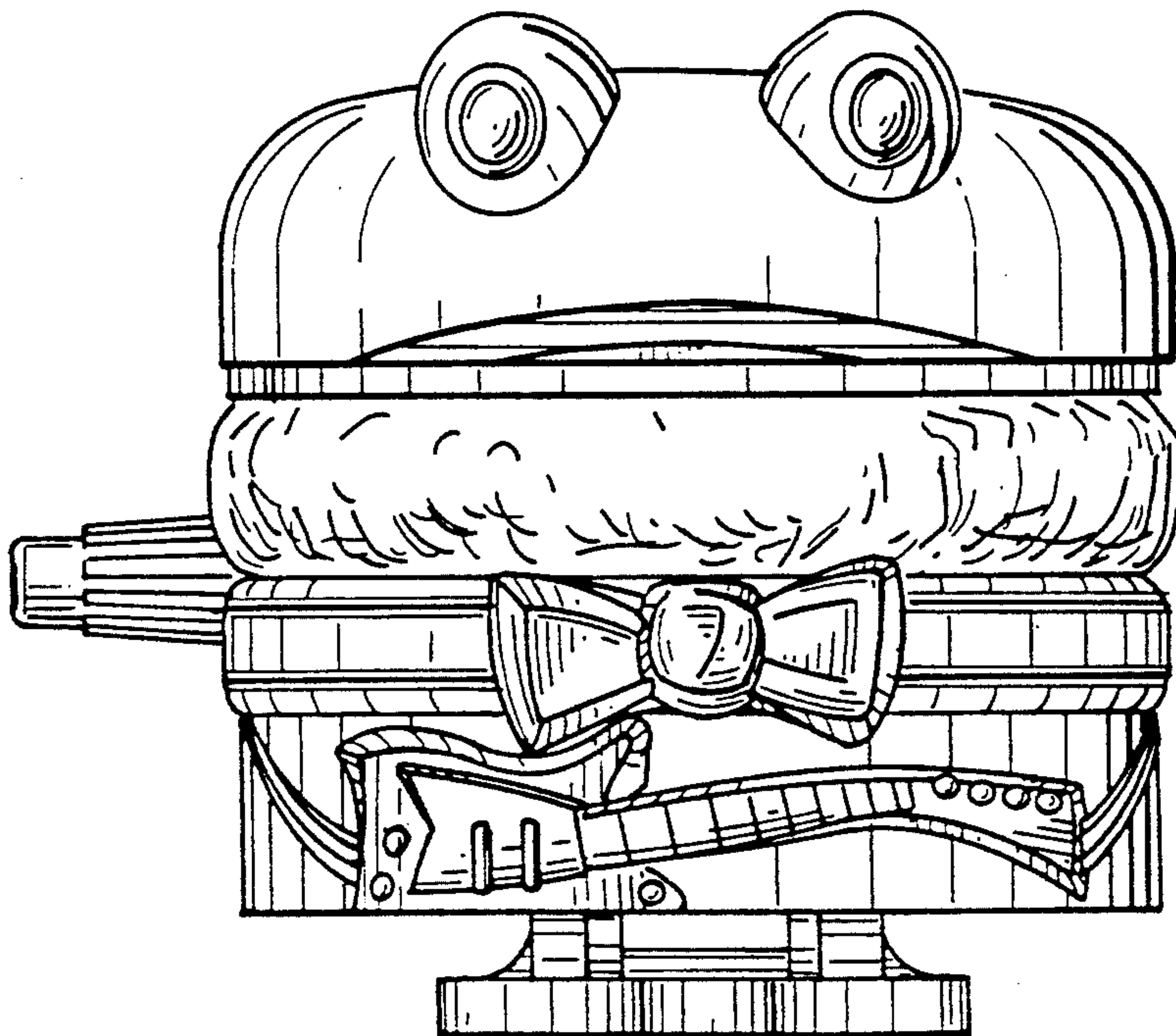
*Fig. 1*



*Fig. 2*

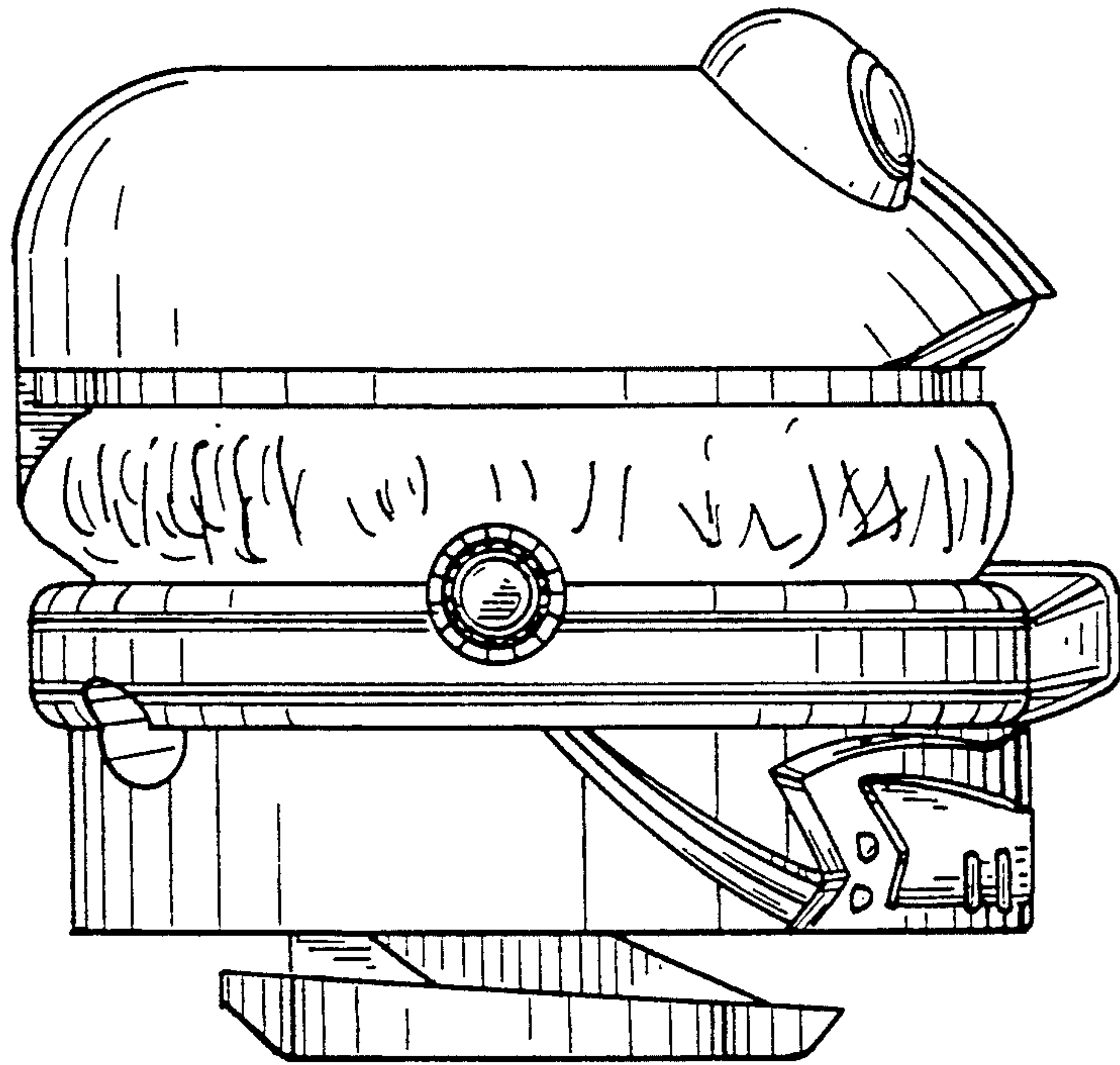


*Fig. 3*

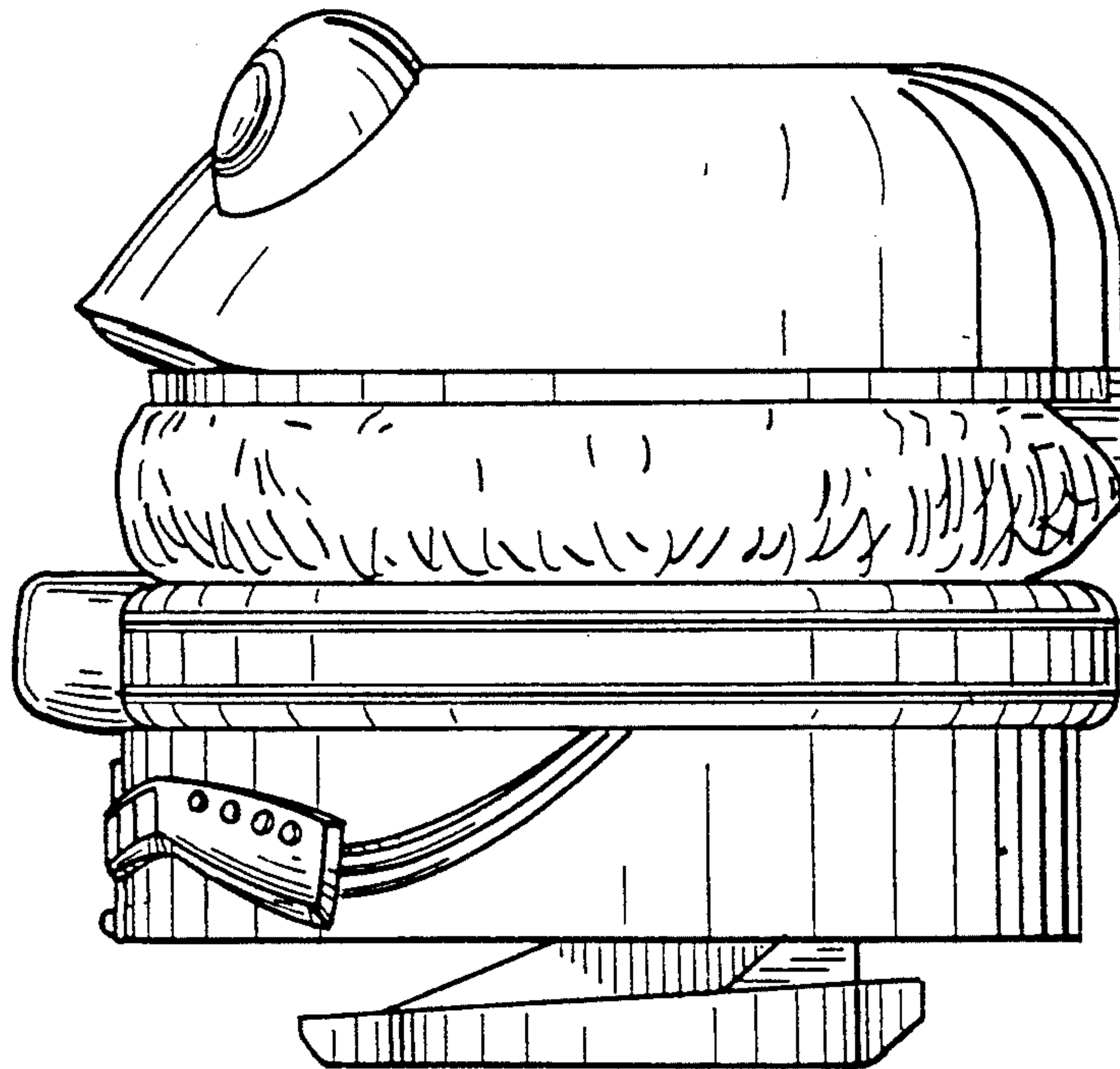




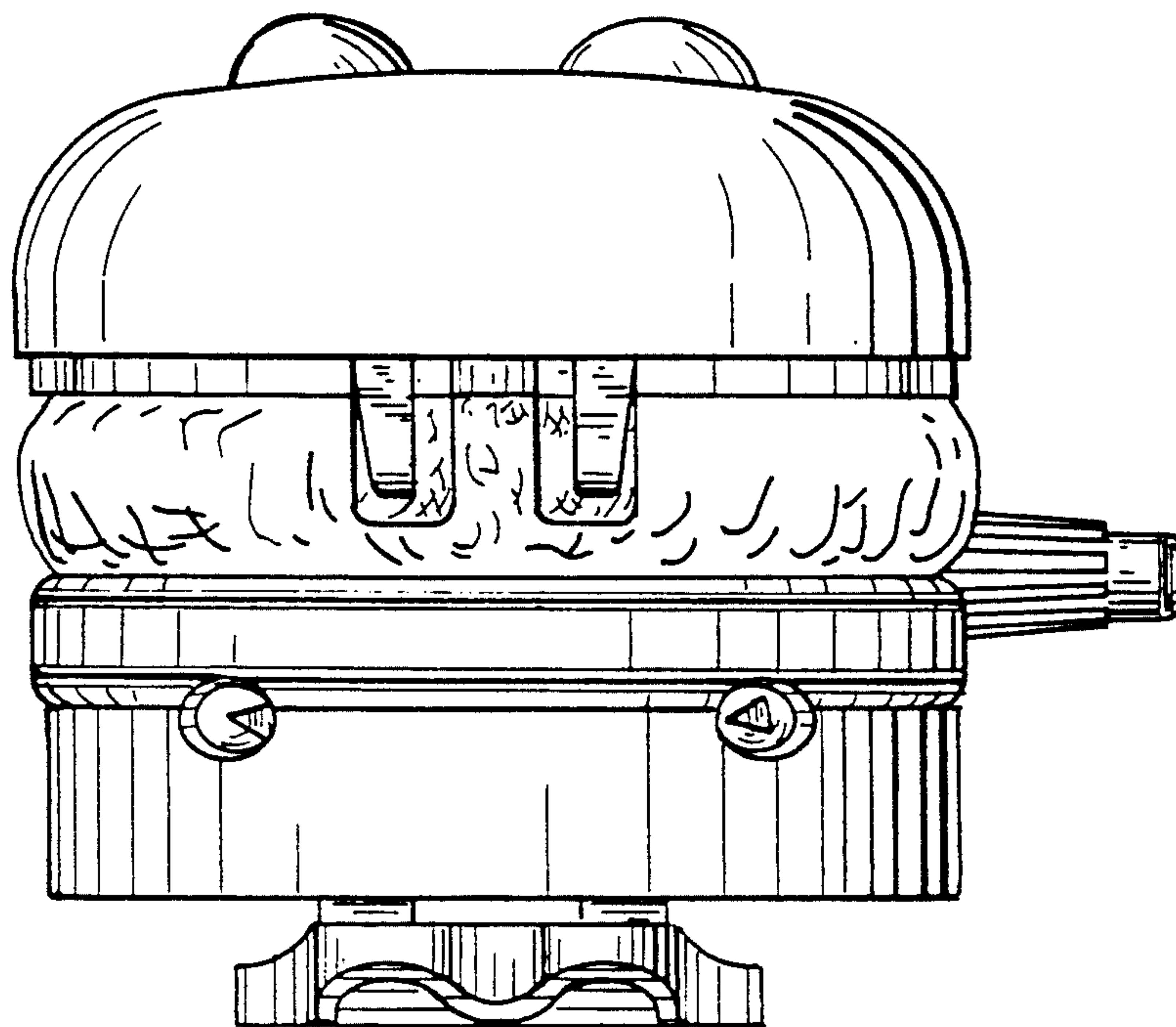
*Fig. 4*



*Fig. 5*



*Fig. 6*



*Fig. 7*

