



US00D345394S

United States Patent [19]

[11] Patent Number: **Des. 345,394**

Chen

[45] Date of Patent: **** Mar. 22, 1994**

[54] **TOY JEEP**

D. 264,608	5/1982	Mariol	D21/78
D. 299,663	1/1989	Harrod	D21/76
D. 300,011	2/1989	Oba	D12/87
D. 314,997	2/1991	Harrod	D21/134

[75] Inventor: **Ting-Hsing Chen, Tainan Hsien, Taiwan**

[73] Assignee: **Far Great Plastics Co., Ltd., Tainan Hsien, Taiwan**

Primary Examiner—Bernard Ansher
Assistant Examiner—R. Barkai
Attorney, Agent, or Firm—Morton J. Rosenberg; David I. Klein

[**] Term: **14 Years**

[21] Appl. No.: **6,645**

[57] CLAIM

[22] Filed: **Apr. 2, 1993**

The ornamental design for toy jeep, as shown and described.

[52] U.S. Cl. **D21/78**

[58] Field of Search 446/440, 451;
280/87.01, 87.021, 87.041, 87.043, 827, 282, 62,
270, 293, 274, 281.1, 288.2, 288.3, 263; 180/219;
D21/71, 74, 76, 78, 80-81, 134, 157; D12/87,
110

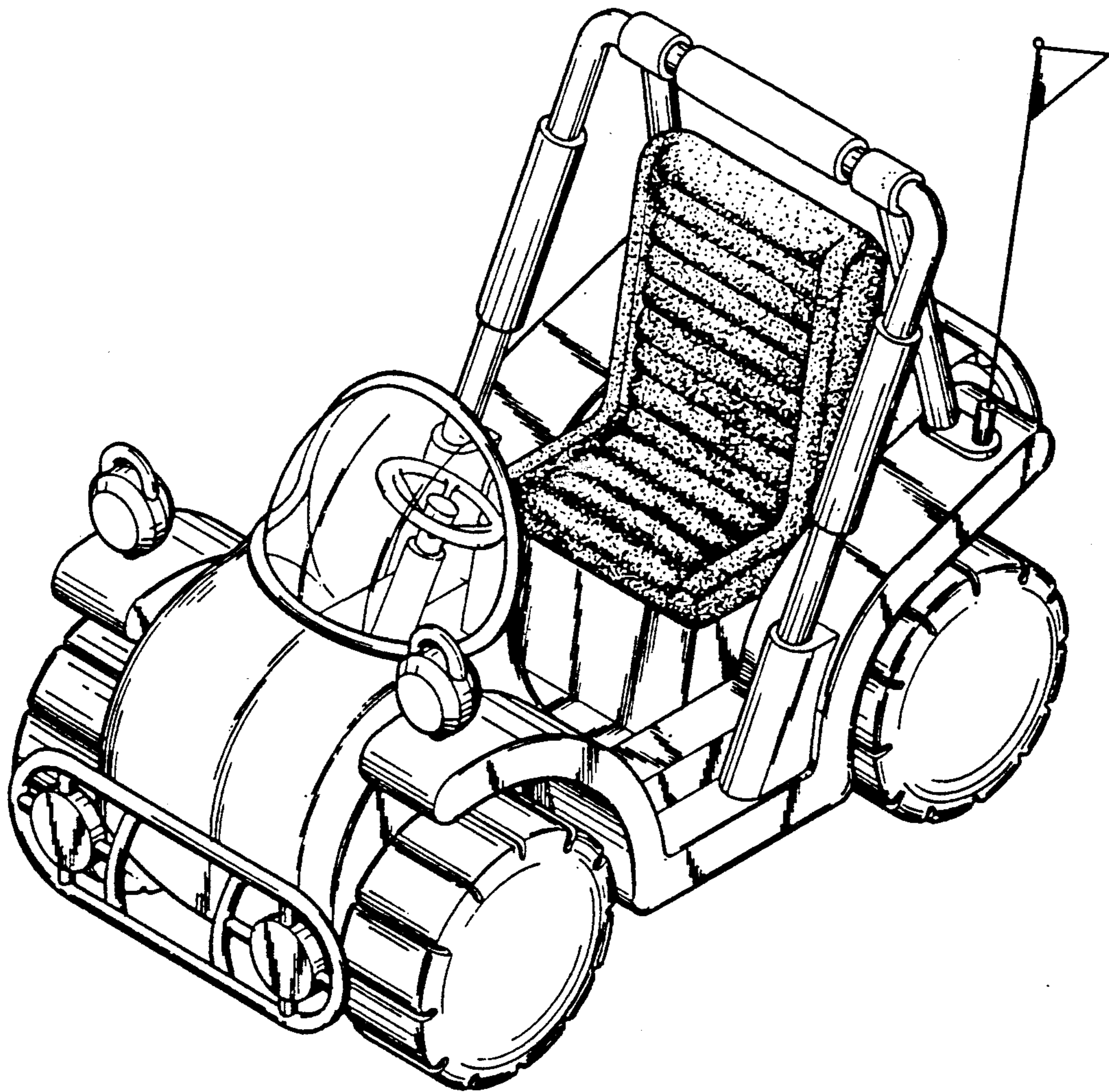
DESCRIPTION

FIG. 1 is a perspective view of toy jeep showing my present design;
FIG. 2 is a front view thereof;
FIG. 3 is a rear view thereof;
FIG. 4 is a left view thereof;
FIG. 5 is a right view thereof;
FIG. 6 is a top plan view thereof; and,
FIG. 7 is a bottom plan view.

[56] References Cited

U.S. PATENT DOCUMENTS

D. 220,509	4/1971	Schreckengost	D12/87
D. 221,567	8/1971	Cook	D21/78



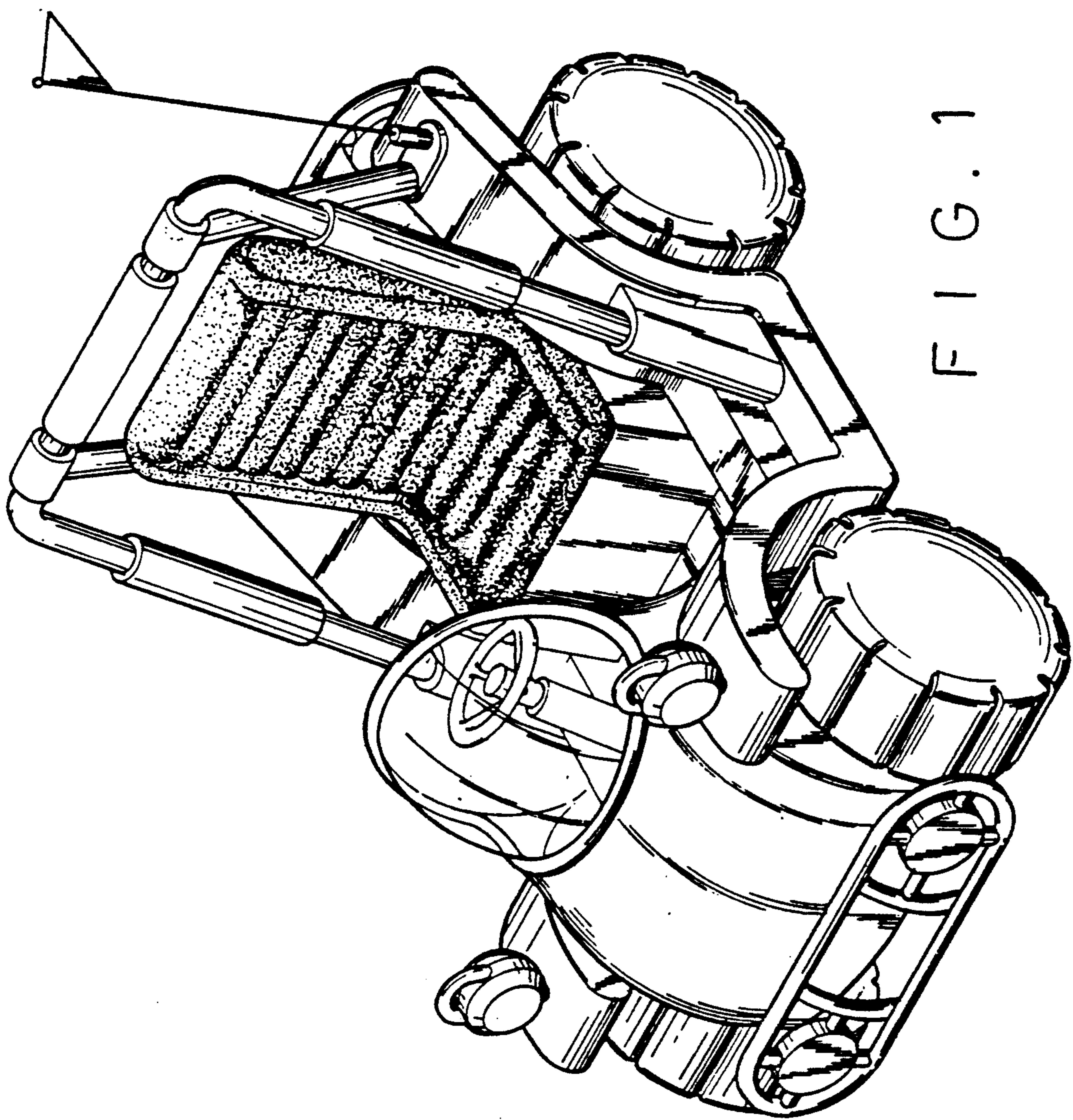


FIG. 1

FIG. 2

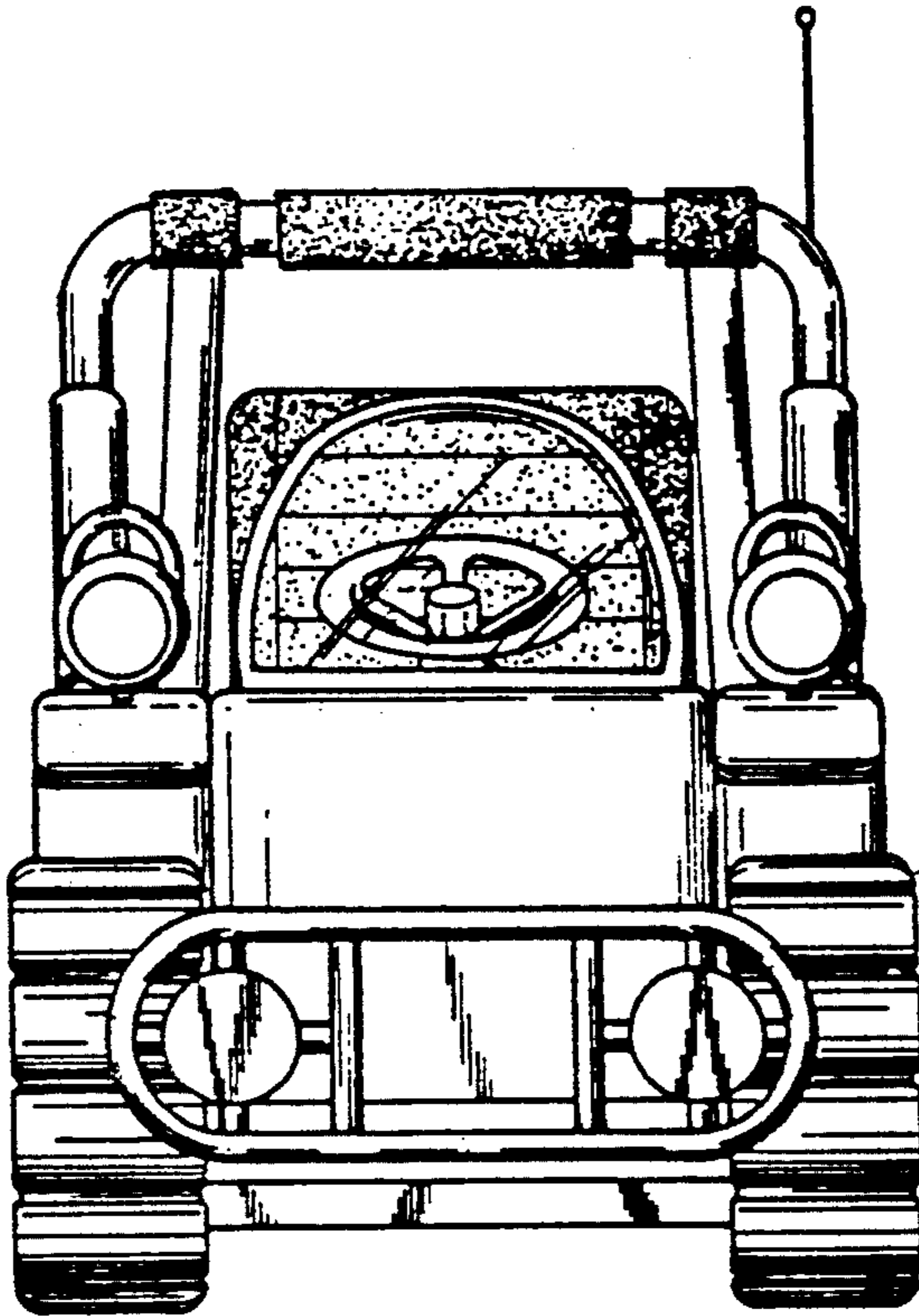
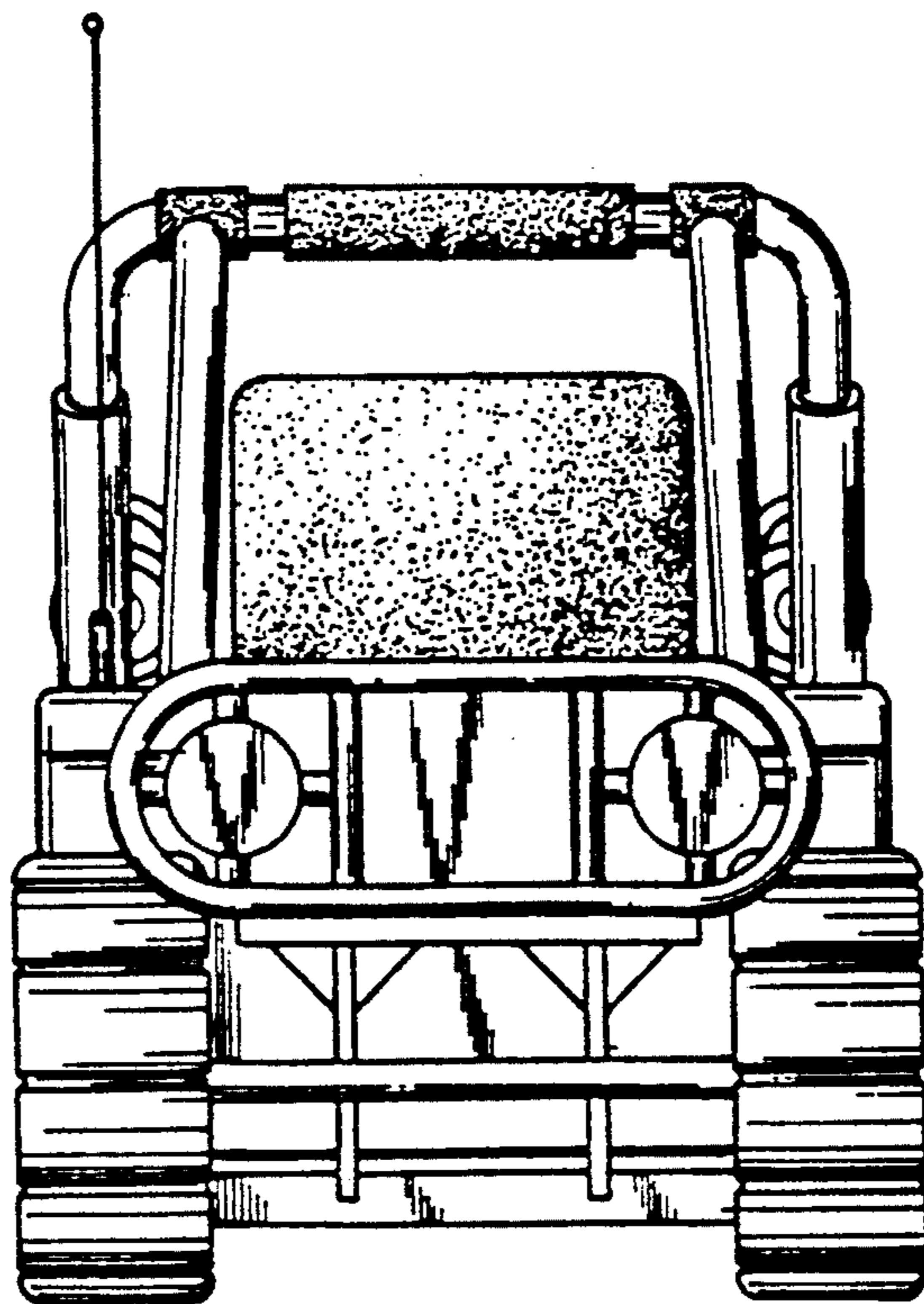


FIG. 3



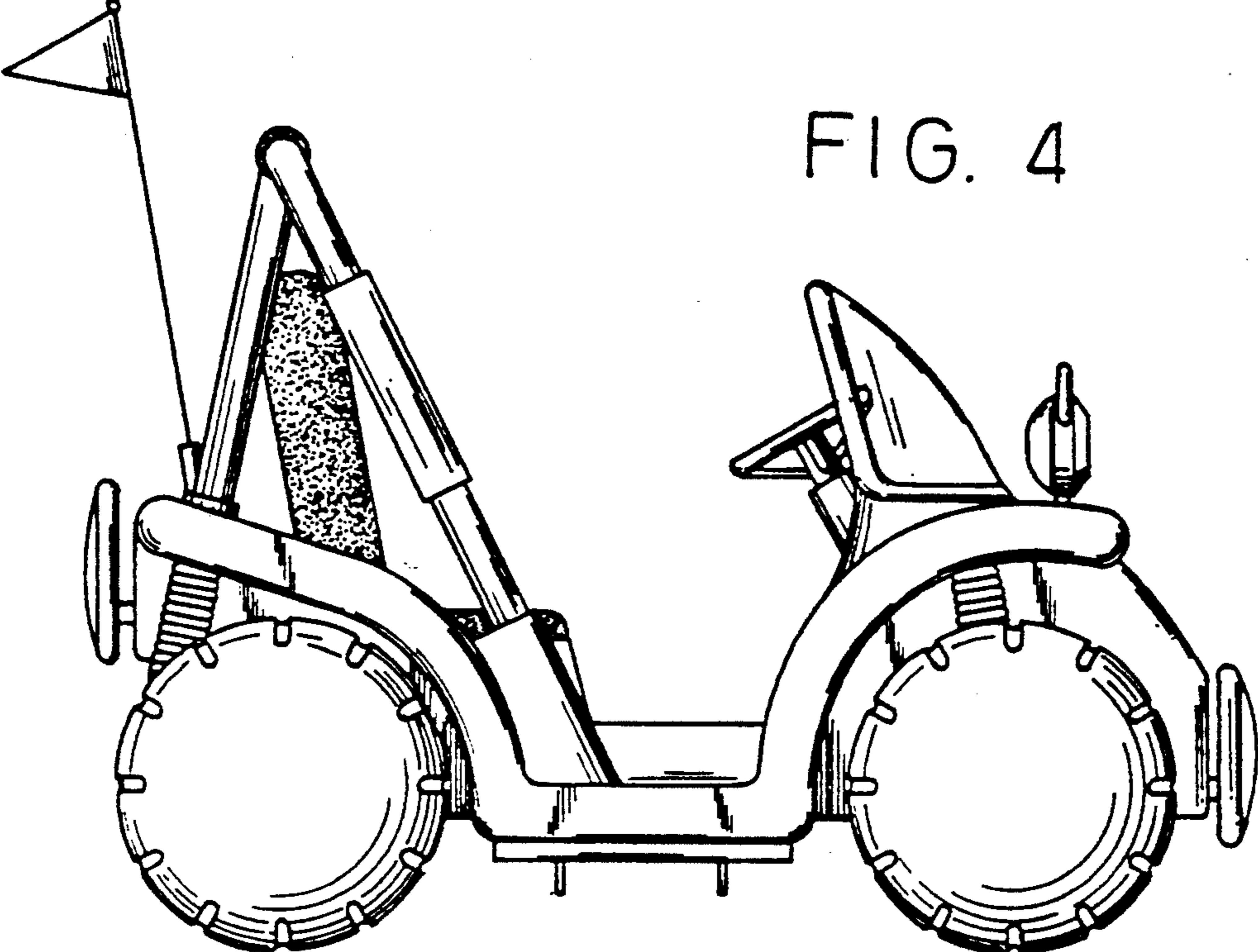


FIG. 4

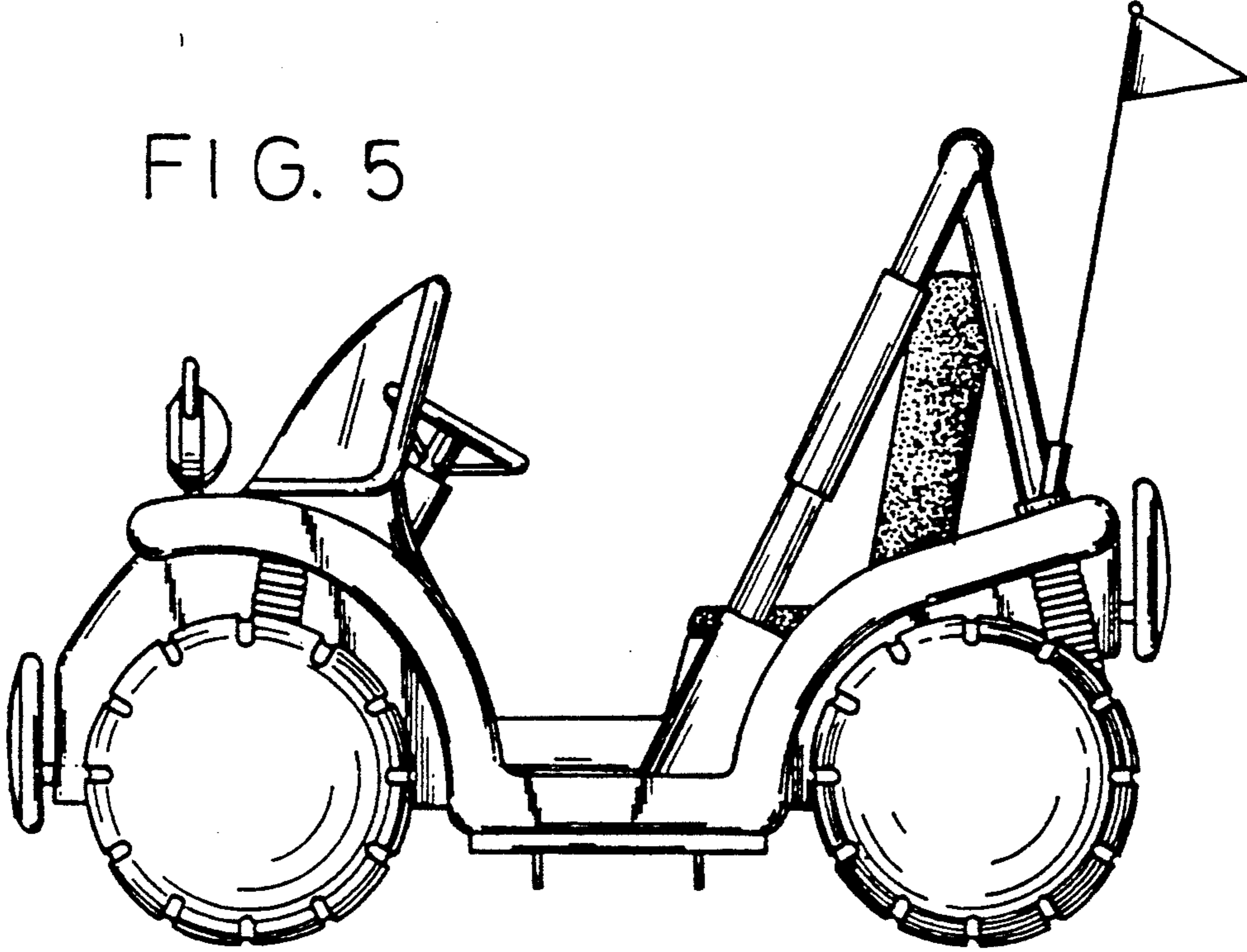


FIG. 5

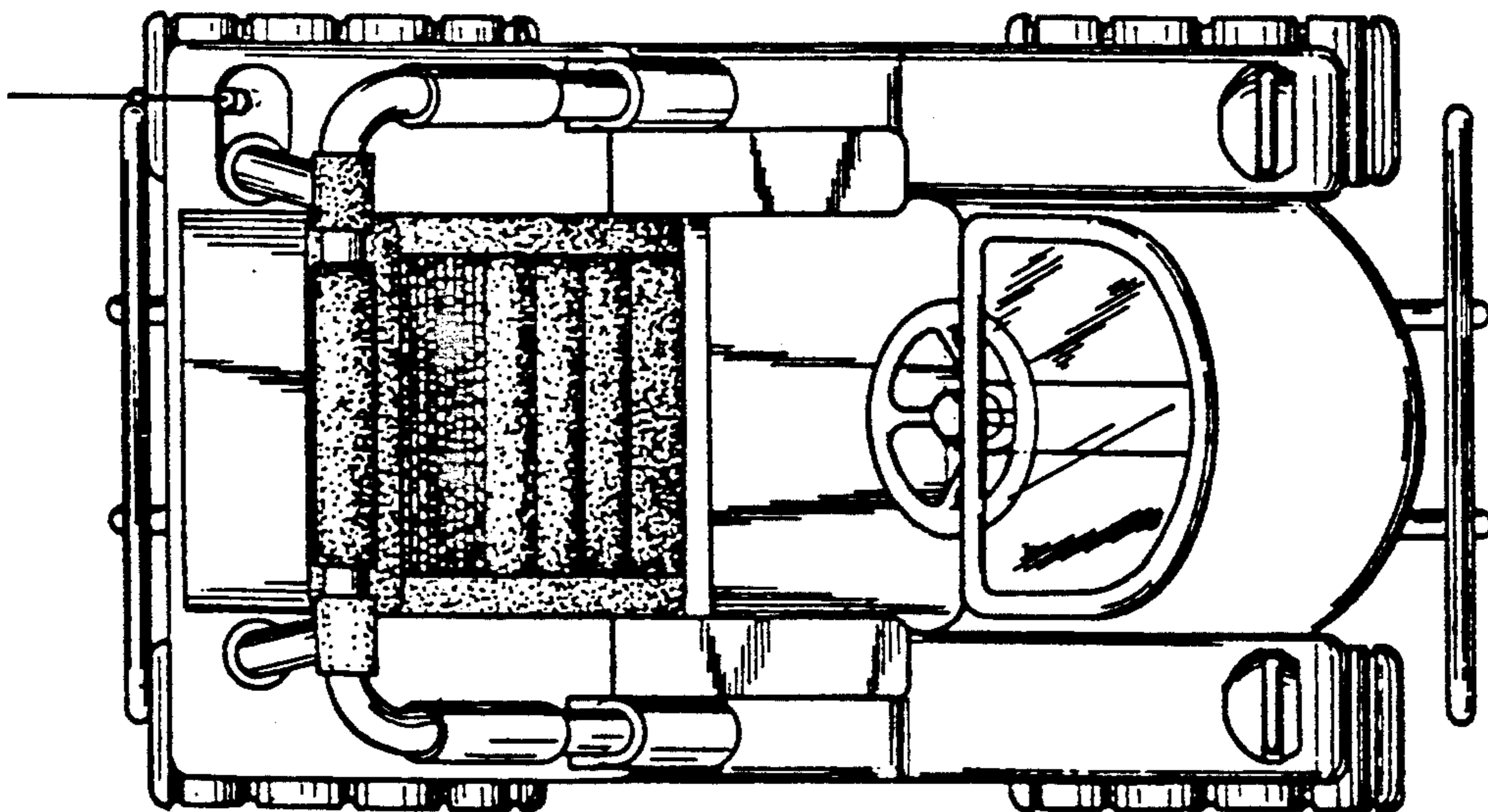


FIG. 6

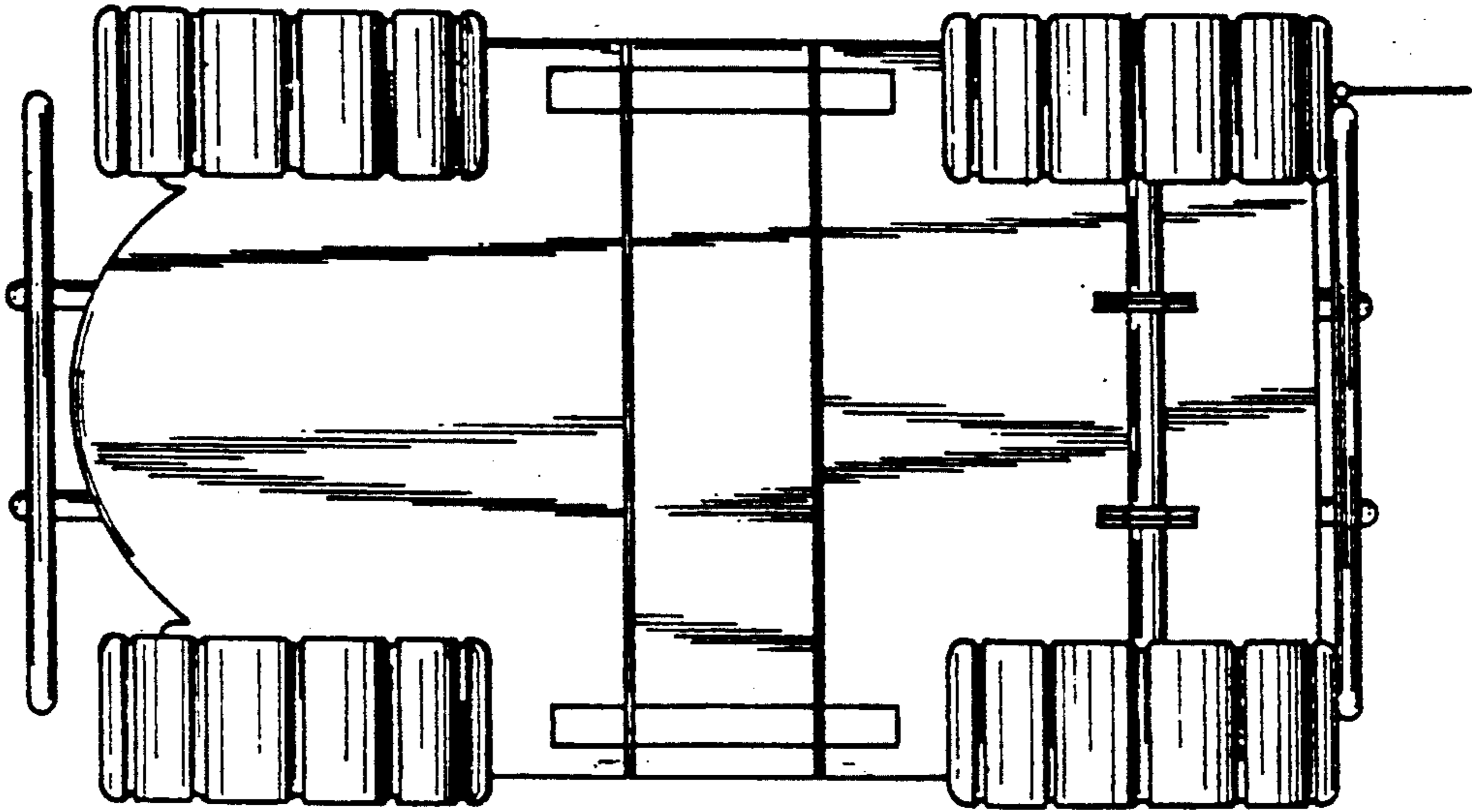


FIG. 7