



US00D345387S

United States Patent [19]
Yang

[11] **Patent Number: Des. 345,387**

[45] **Date of Patent: ** Mar. 22, 1994**

[54] **TOY PIANO**

[76] **Inventor: Yung-Fang Yang, P.O. Box 82-144, Taipei, Taiwan**

[**] **Term: 14 Years**

[21] **Appl. No.: 895**

[22] **Filed: Oct. 28, 1992**

[52] **U.S. Cl. D21/64; D21/59**

[58] **Field of Search 446/143, 227, 397, 404, 446/408; D21/59, 64**

[56] **References Cited**

U.S. PATENT DOCUMENTS

D. 232,574	8/1974	Satten	D21/64
D. 255,370	6/1980	Hayama et al.	D21/64
D. 315,178	3/1991	Takahashi et al.	D21/64
2,788,608	4/1957	Anthony	D21/64 X

OTHER PUBLICATIONS

Hong Kong Toys; 1990; p. 161; Toy Piano (top).
Hong Kong Toys; 1987; p. 185; Toy Piano (right center).

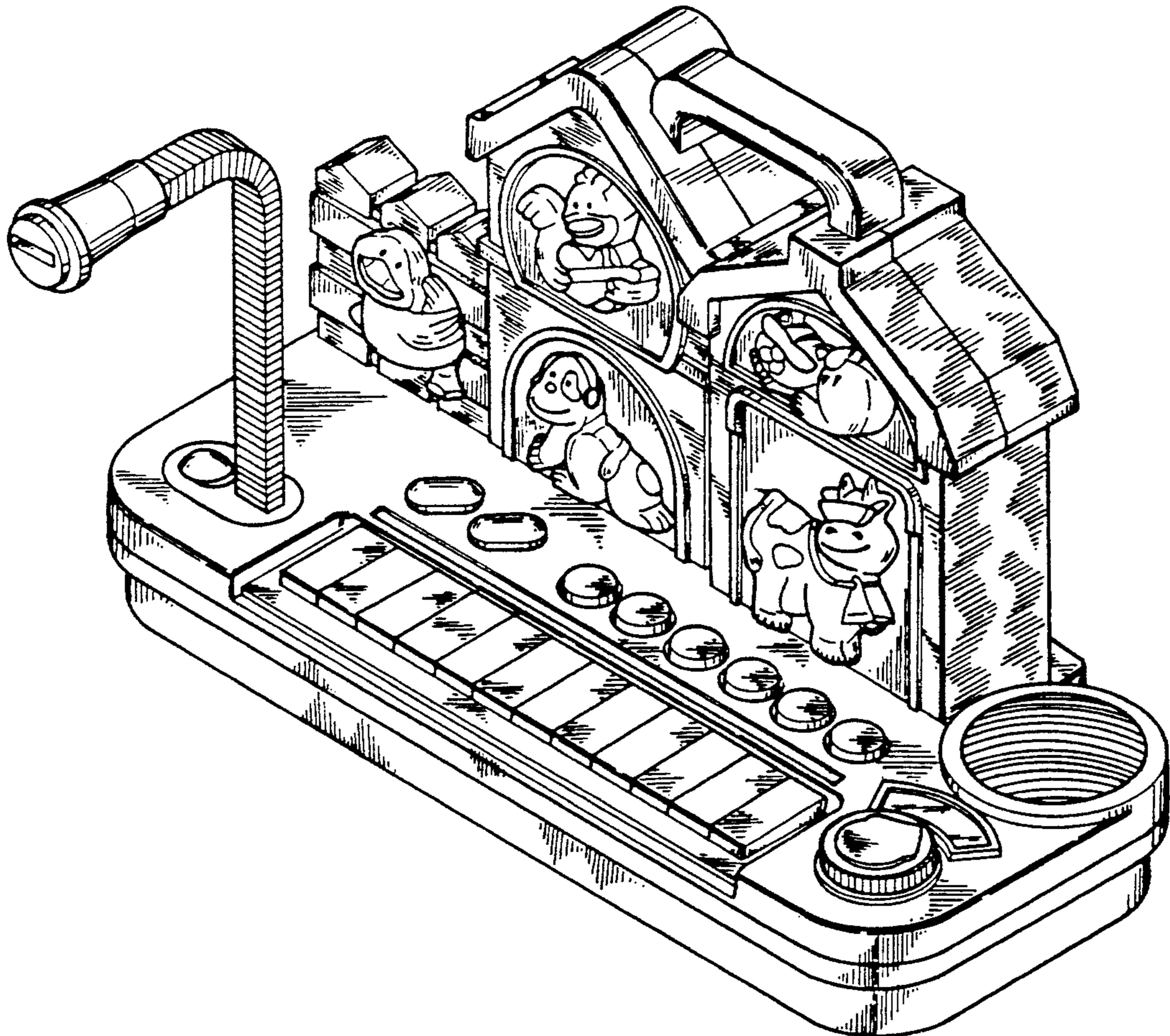
Primary Examiner—Bernard Ansher
Assistant Examiner—Dominic Simone
Attorney, Agent, or Firm—Alfred Lei

[57] **CLAIM**

The ornamental design for a toy piano, as shown and described.

DESCRIPTION

FIG. 1 is a perspective view of a toy piano showing my new design;
FIG. 2 is a front view thereof;
FIG. 3 is a rear view thereof;
FIG. 4 is a left side elevational view thereof;
FIG. 5 is a right side elevational view thereof;
FIG. 6 is a top plan view thereof; and,
FIG. 7 is a bottom plan view thereof.



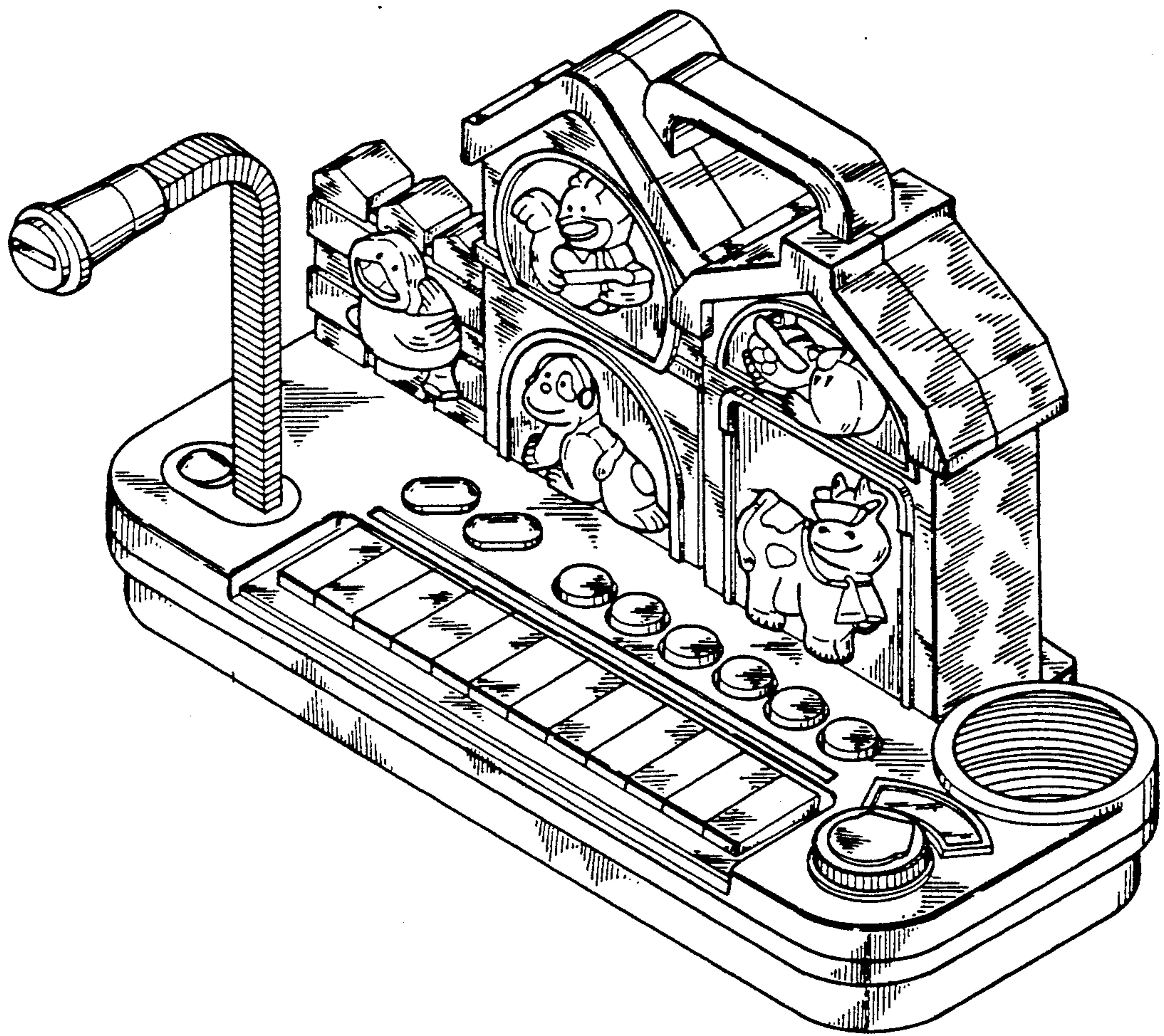


FIG. 1

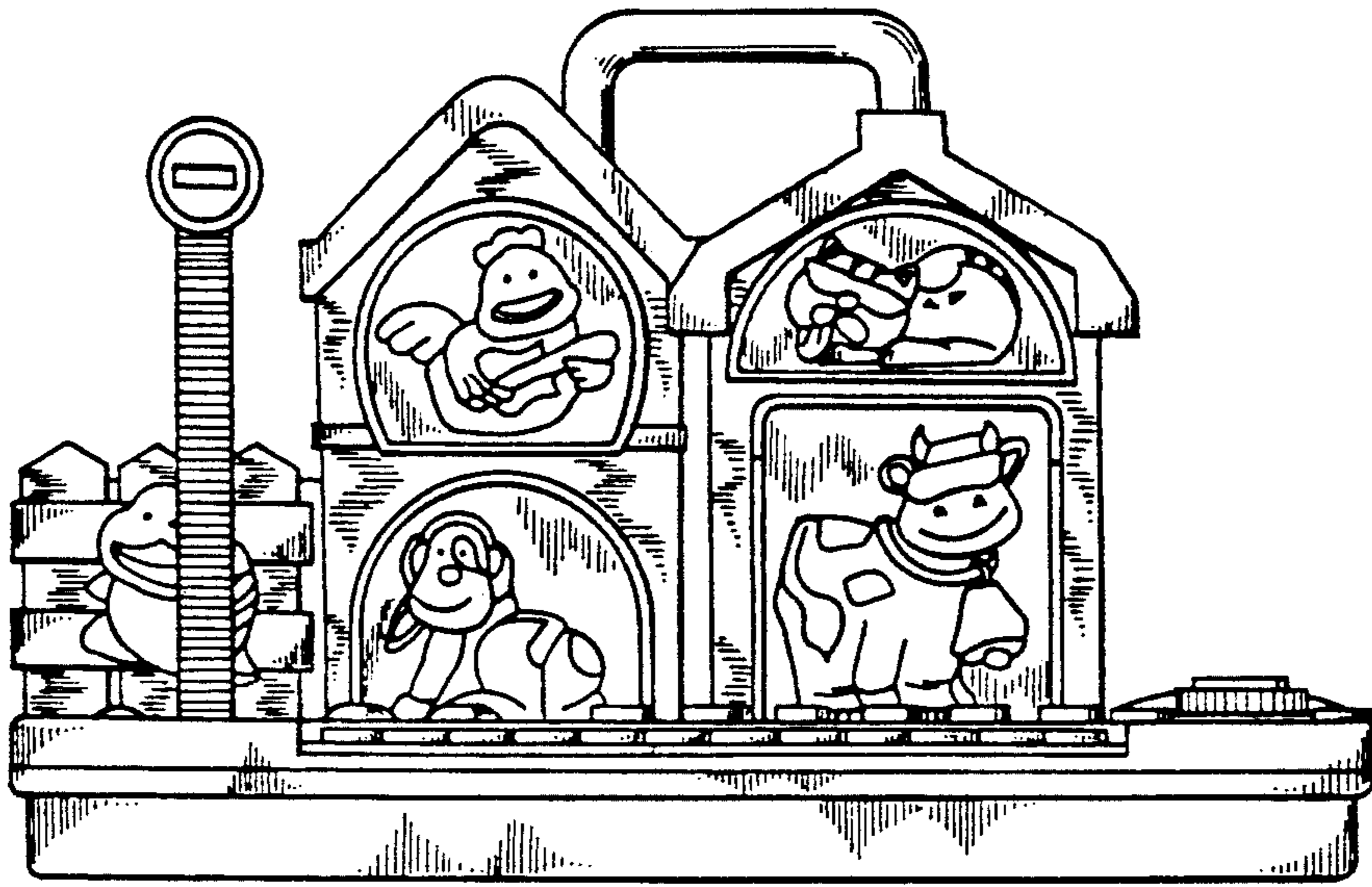


FIG. 2

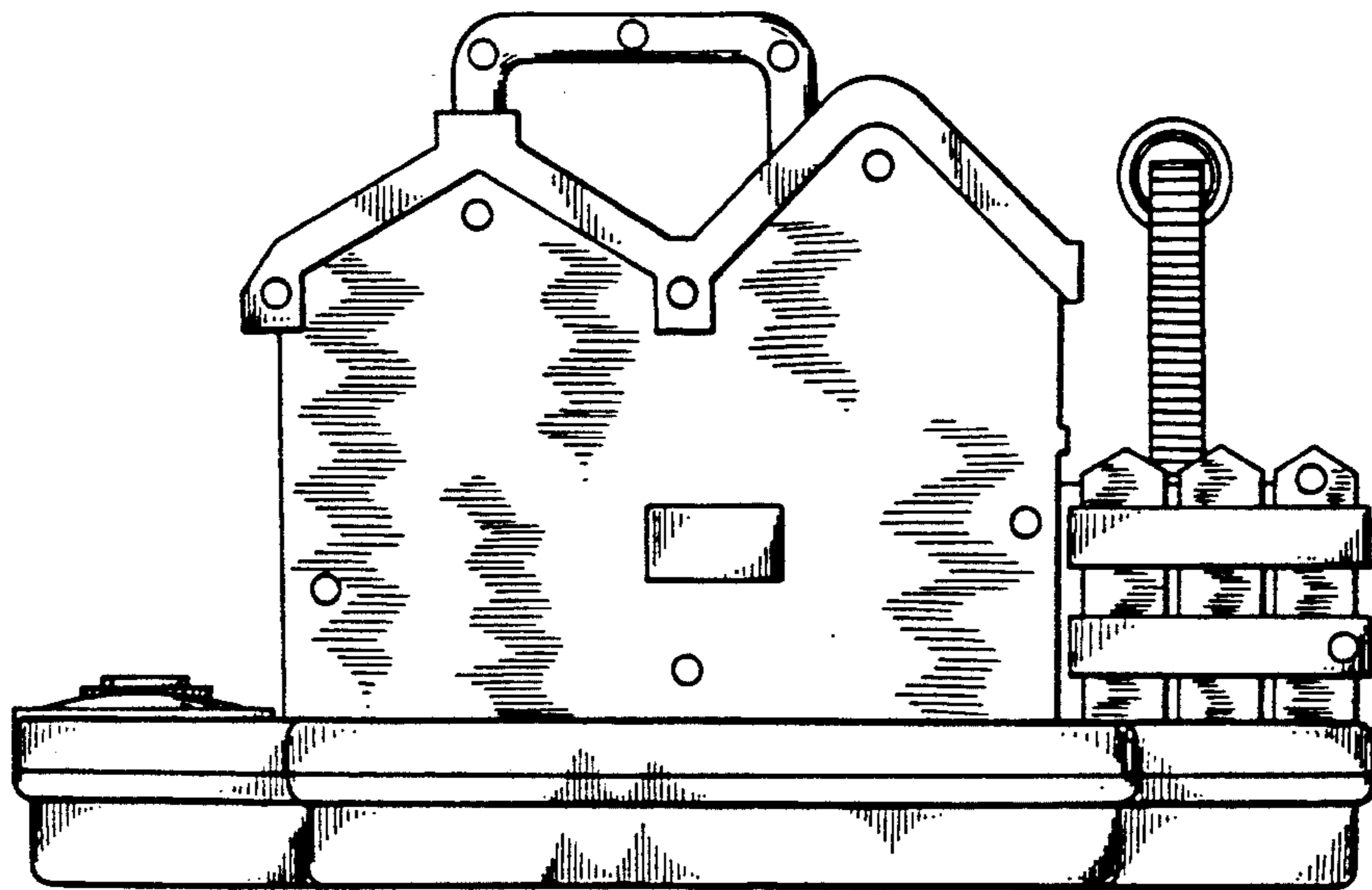


FIG. 3

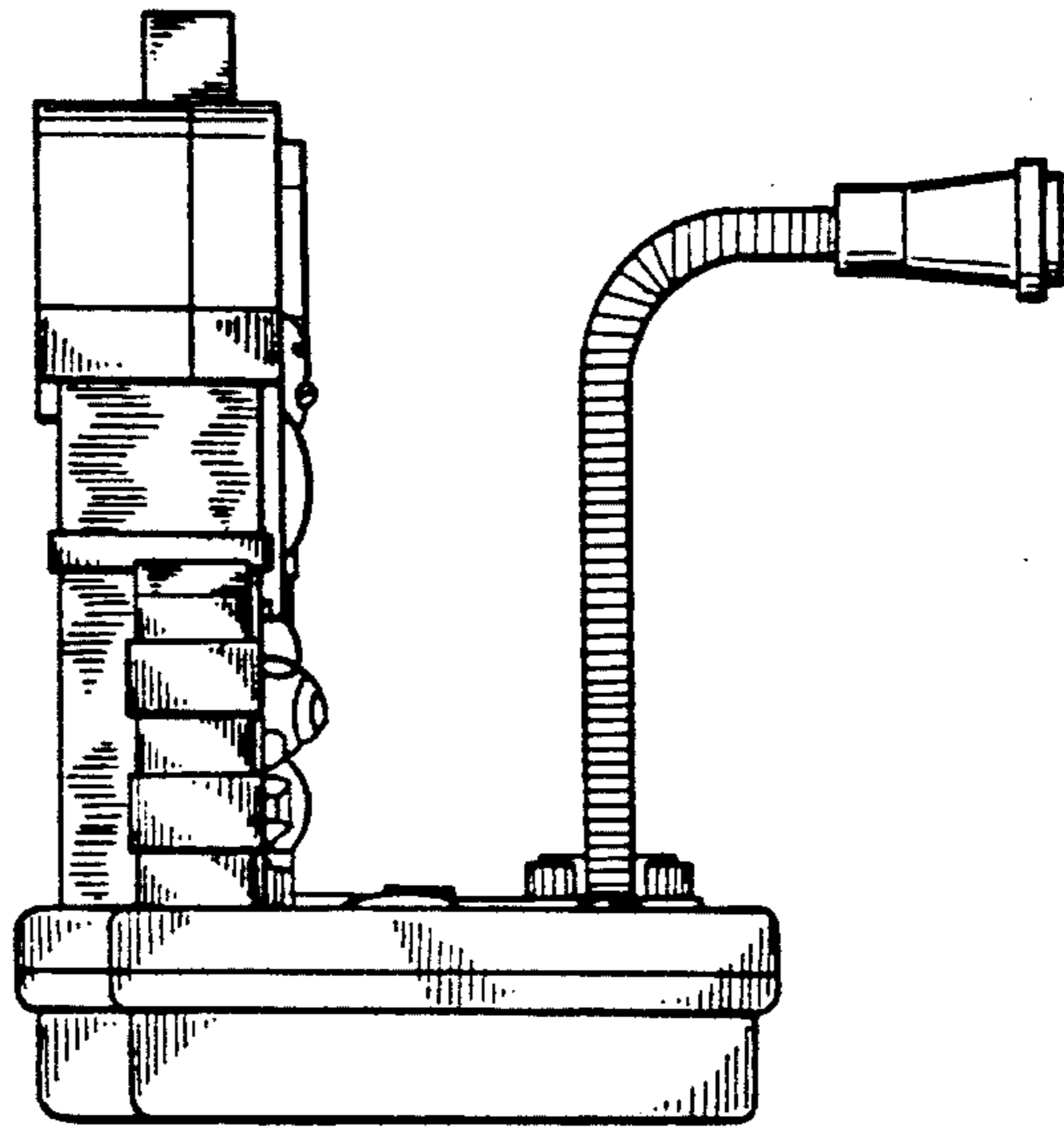


FIG. 4

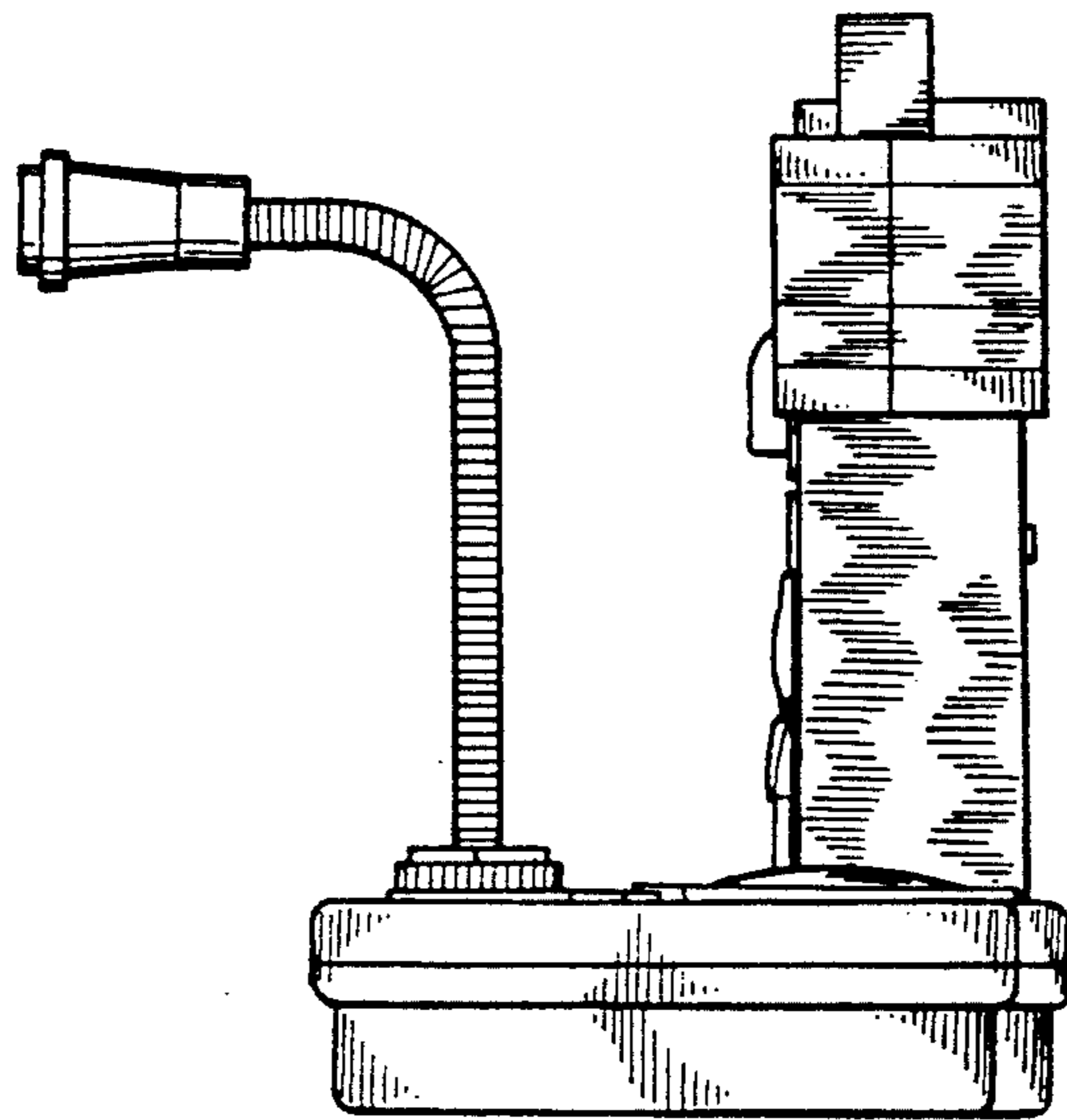


FIG. 5

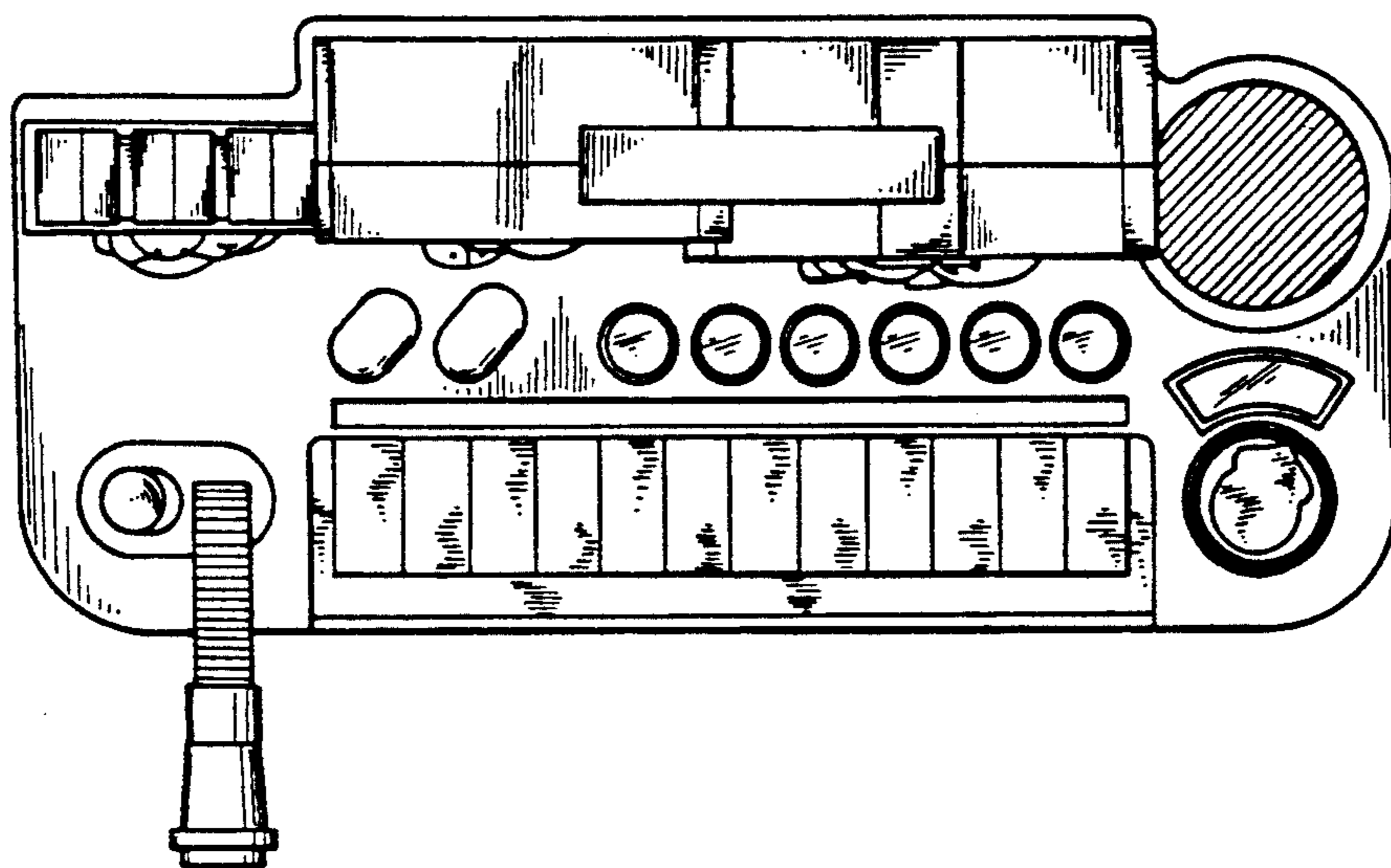


FIG. 6

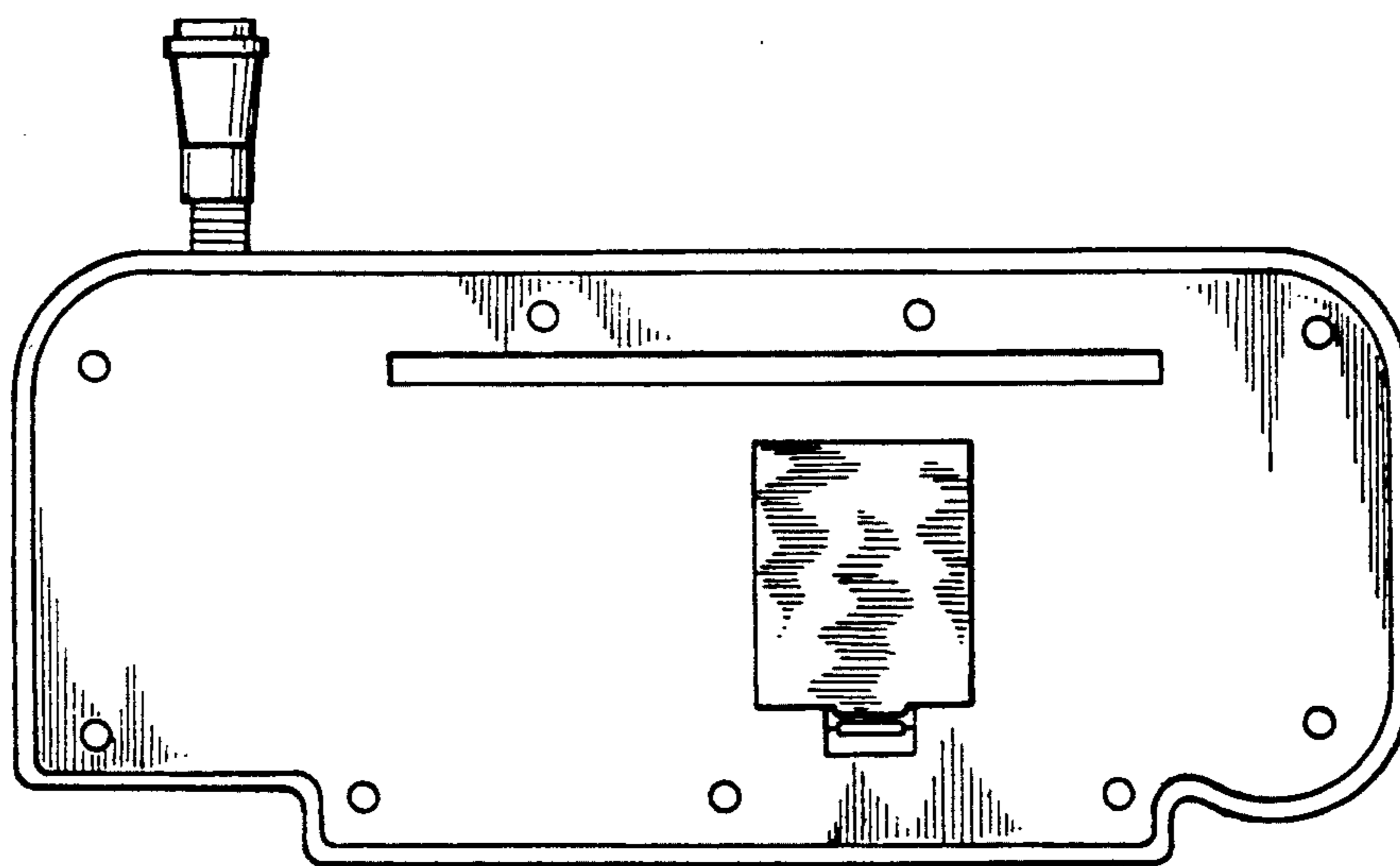


FIG. 7