



US00D345384S

# United States Patent [19]

[11] Patent Number: Des. 345,384

Tataryn

[45] Date of Patent: \*\* Mar. 22, 1994

## [54] GAME BOARD

[76] Inventor: David Tataryn, P.O. Box 128, 265 Bridge Street, Fergus, Ontario, Canada, N1M 2W7

[\*\*] Term: 14 Years

[21] Appl. No.: 639,691

[22] Filed: Jan. 10, 1991

[52] U.S. Cl. .... D21/18; D21/27

[58] Field of Search ..... 273/236-285; D21/14-36

## [56] References Cited

### U.S. PATENT DOCUMENTS

D. 150,249	7/1948	Parrilla et al. ....	D21/27
D. 215,740	10/1969	Delfausse .....	273/236
4,060,245	11/1977	Gamez Duch .....	D21/27
4,261,568	4/1981	Such .....	D21/27

### FOREIGN PATENT DOCUMENTS

0411511	6/1934	United Kingdom .....	273/247
0449539	6/1936	United Kingdom .....	273/247

## OTHER PUBLICATIONS

Coleco Industries Hockey Game.

*Primary Examiner*—Bernard Ansher

*Assistant Examiner*—Sandra Morris

*Attorney, Agent, or Firm*—Jeffrey T. Imai; Arne I. Fors; D. Doak Horne

## [57] CLAIM

The ornamental design for a game board, as shown and described.

## DESCRIPTION

FIG. 1 is a top plan view of a game board, showing my new design;

FIG. 2 is a top plan view of a second embodiment of the design in FIG. 1;

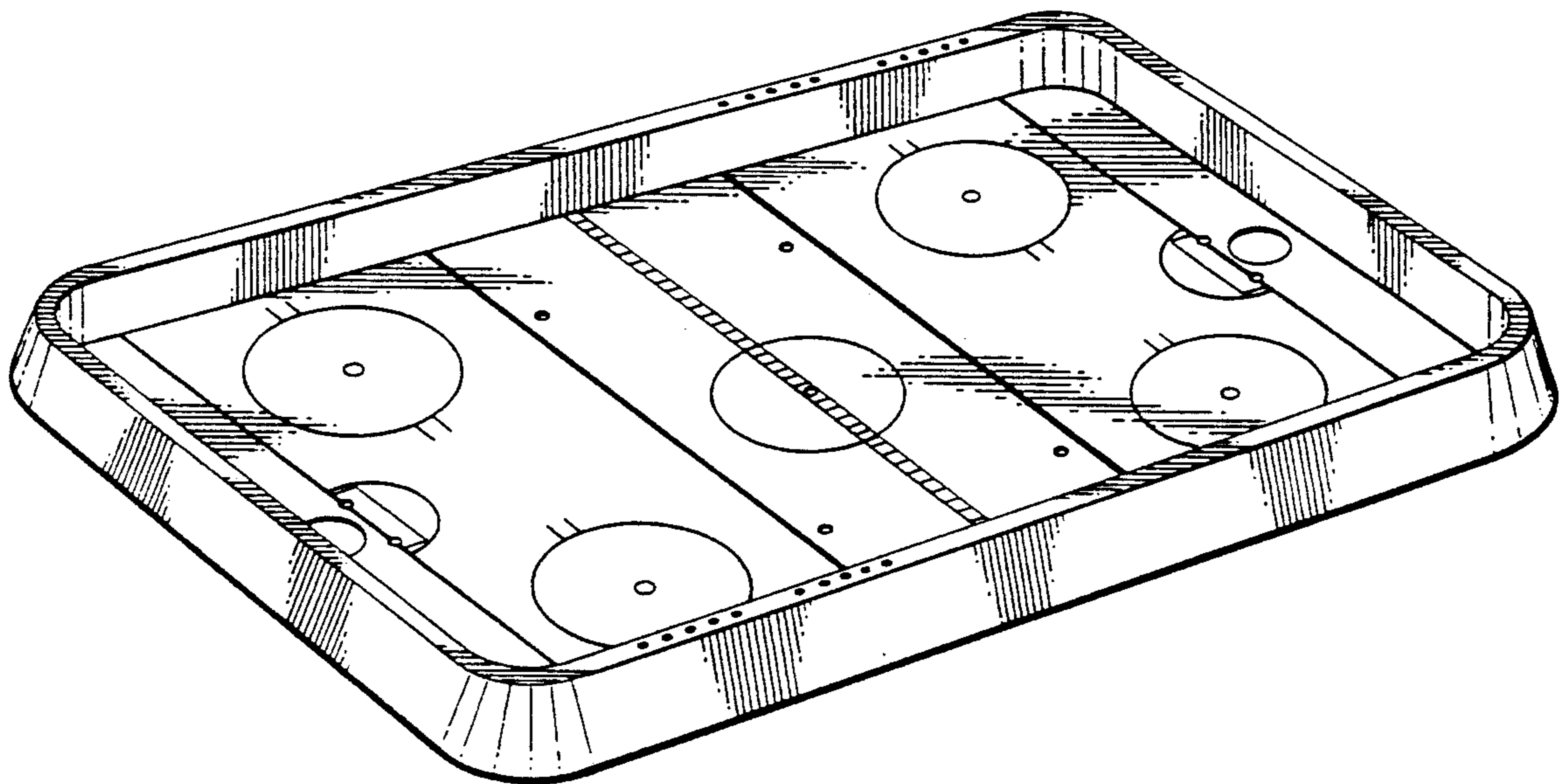
FIG. 3 is a top plan view of a third embodiment of the design in FIG. 1;

FIG. 4 is an end elevational view thereof, the opposite end being identical;

FIG. 5 is a side elevational view thereof, the opposite side being identical;

FIG. 6 is a bottom plan view thereof; and,

FIG. 7 is a perspective view of the embodiment of FIG. 1.



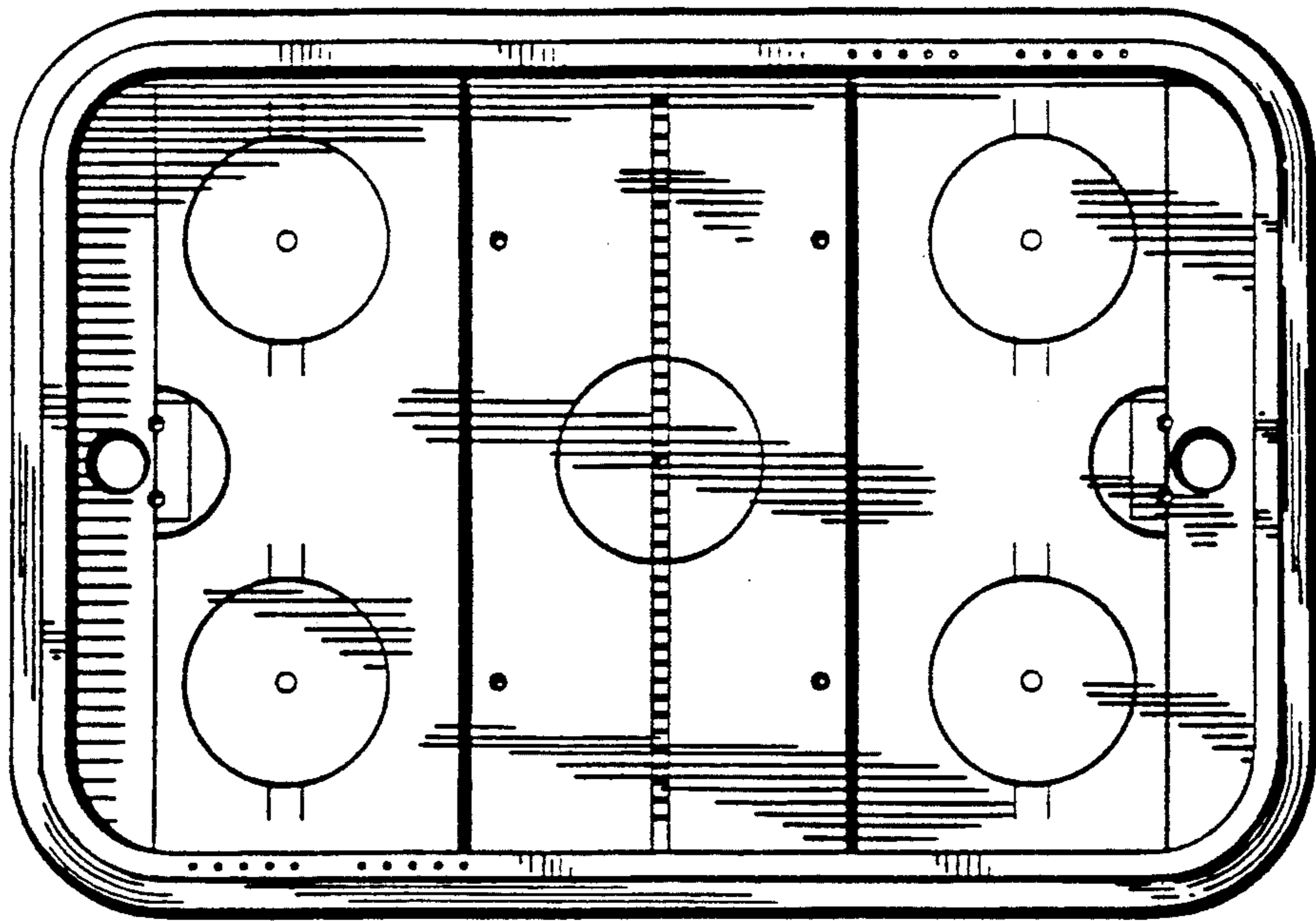


FIG. 1.

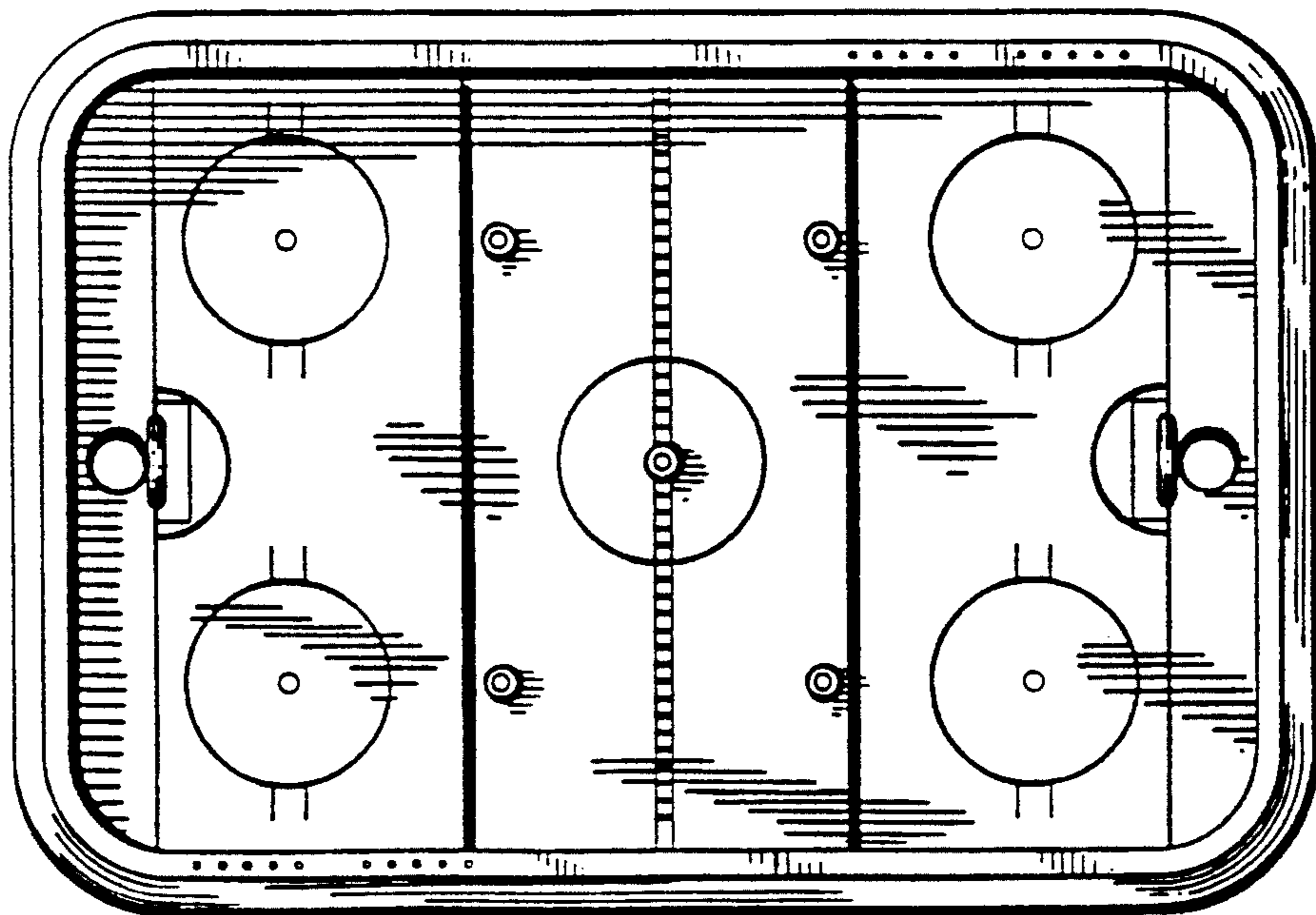


FIG. 2.

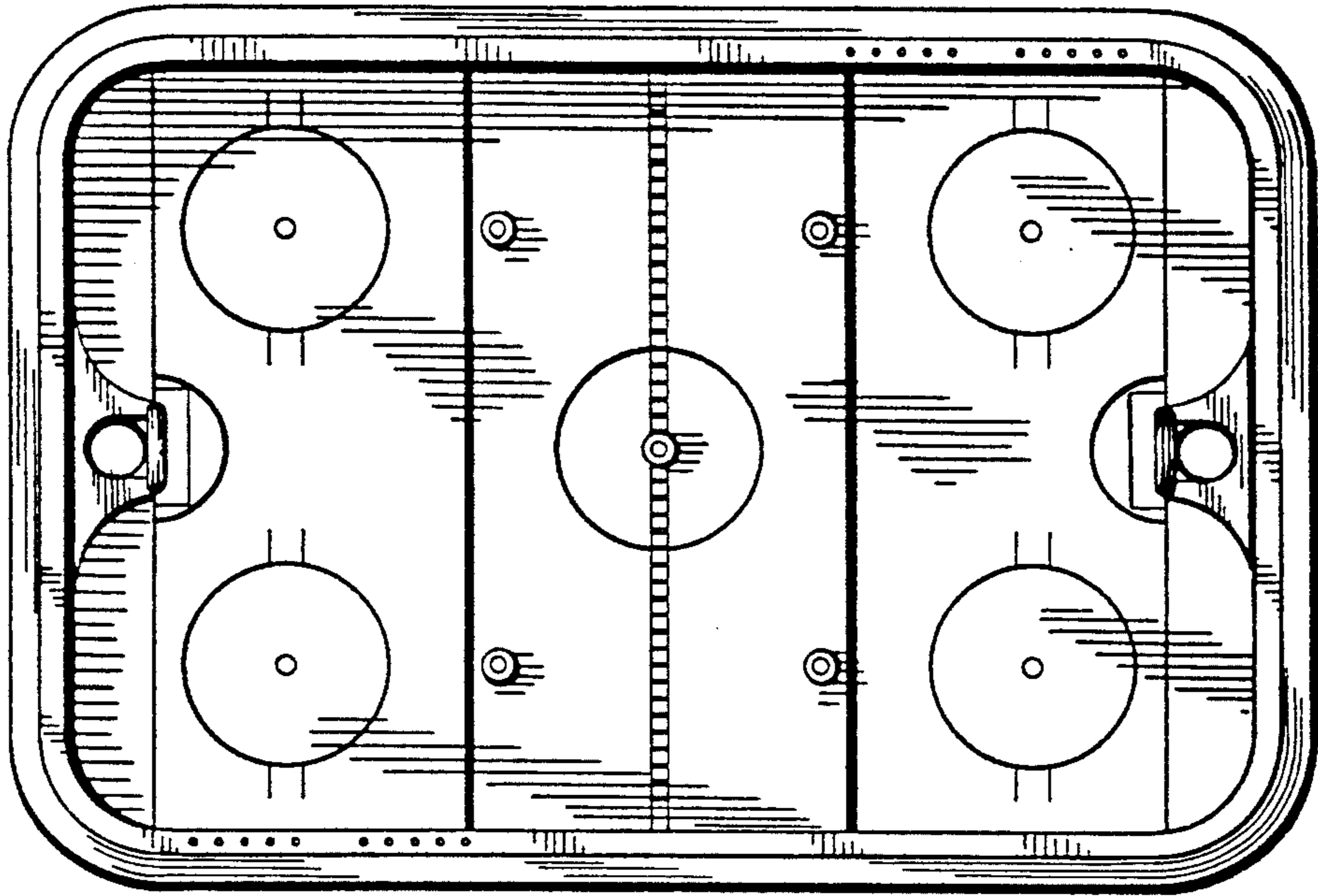


FIG. 3



FIG. 4.



FIG. 5

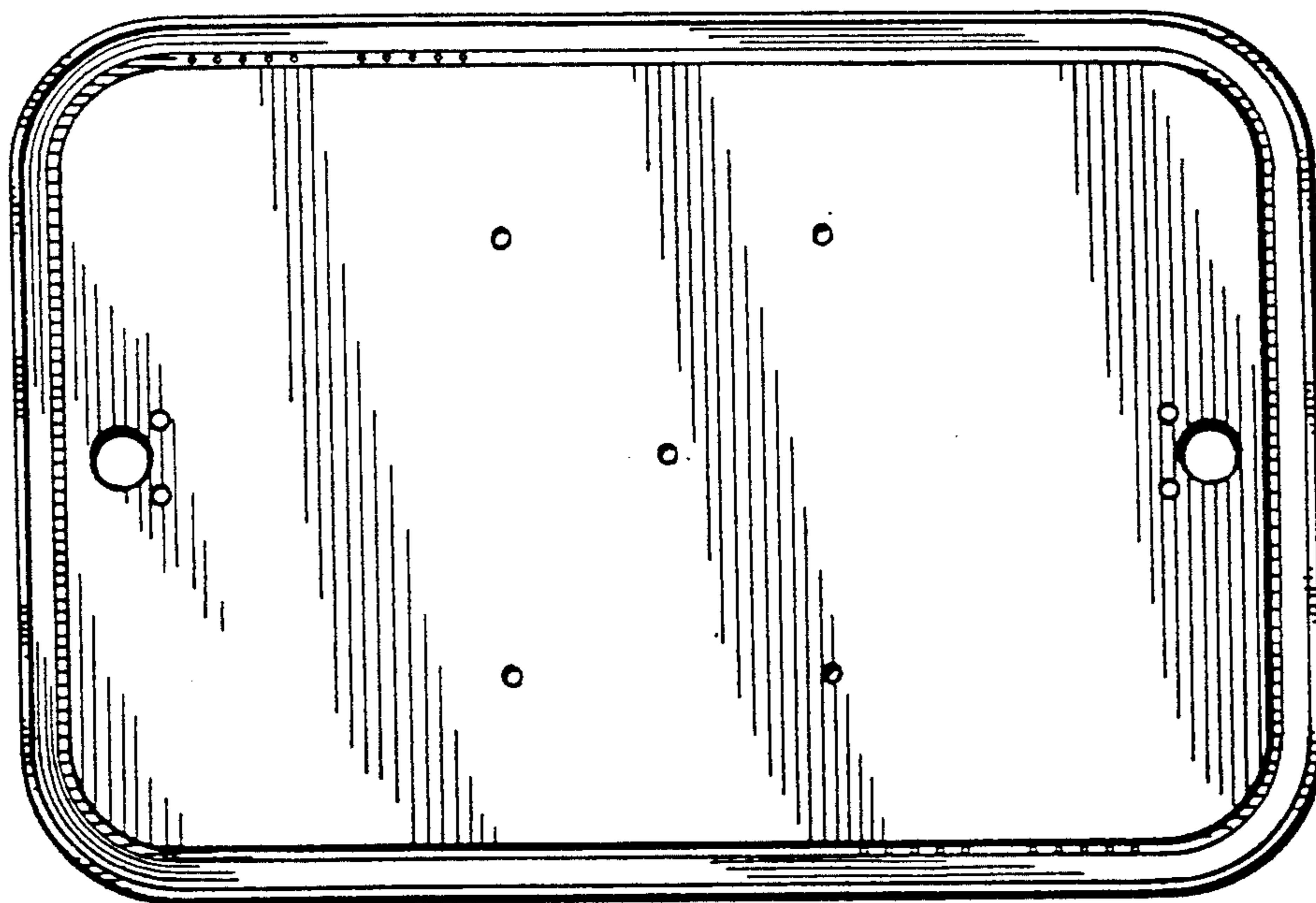


FIG. 6.

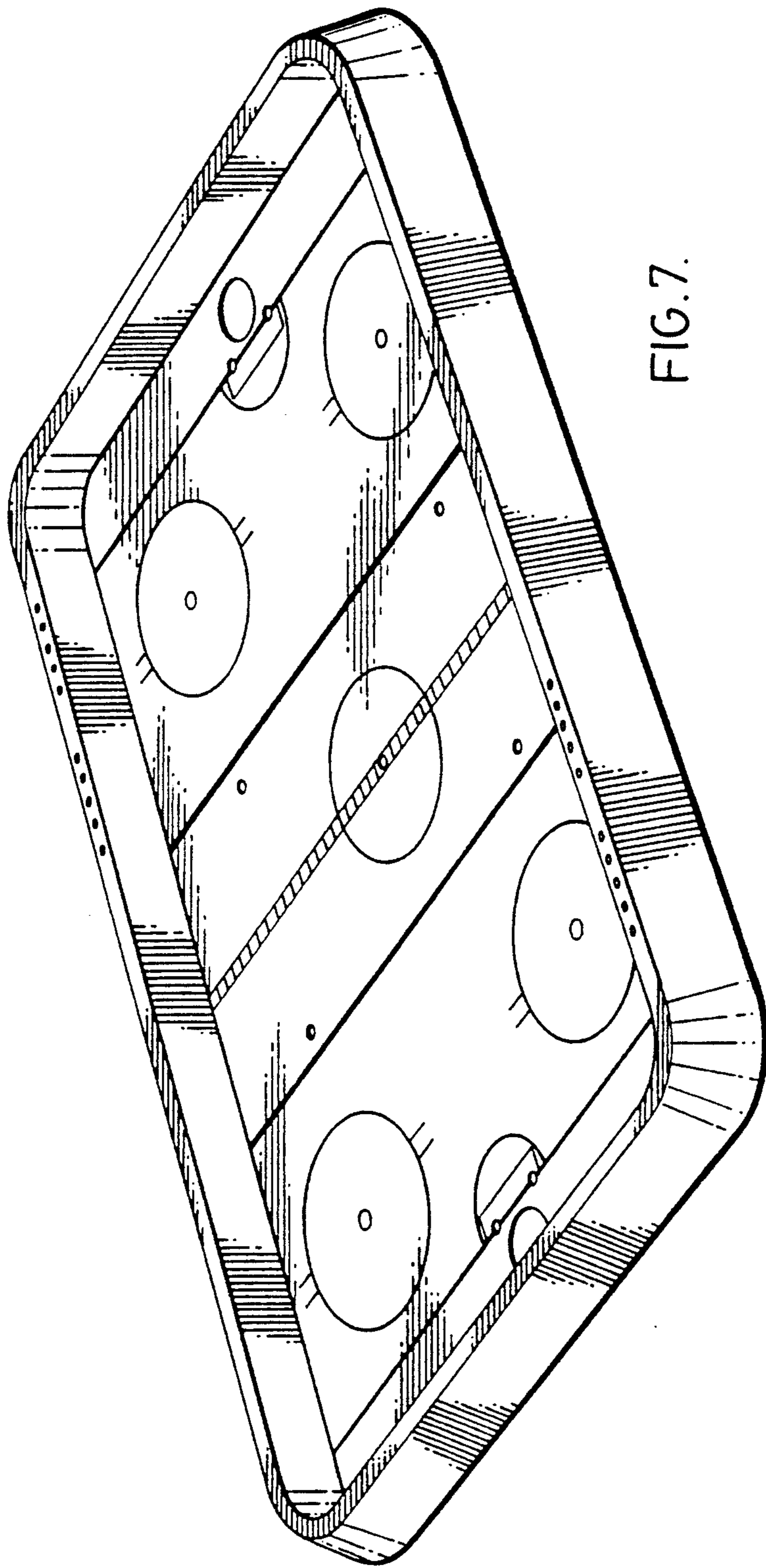


FIG. 7.