



US00D345366S

United States Patent [19]

[11] Patent Number: **Des. 345,366**

Hewitt

[45] Date of Patent: **** Mar. 22, 1994**

[54] **PORTABLE BENCH TOP UNIT FOR GRINDING**

D. 323,331 1/1992 Wang D15/125
5,224,531 7/1993 Blohm 144/286 A X

[75] Inventor: **Timothy W. Hewitt, Pleasant Ridge, Mich.**

Primary Examiner—Nelson C. Holtje
Assistant Examiner—Antoine D. Davis
Attorney, Agent, or Firm—Gifford, Groh, Sprinkle, Patmore and Anderson

[73] Assignee: **Clayton Machine Corporation, Clawson, Mich.**

[**] Term: **14 Years**

[57] **CLAIM**

[21] Appl. No.: **844,398**

The ornamental design for a portable bench top unit for grinding, as shown.

[22] Filed: **Mar. 2, 1992**

DESCRIPTION

[52] U.S. Cl. **D15/125**

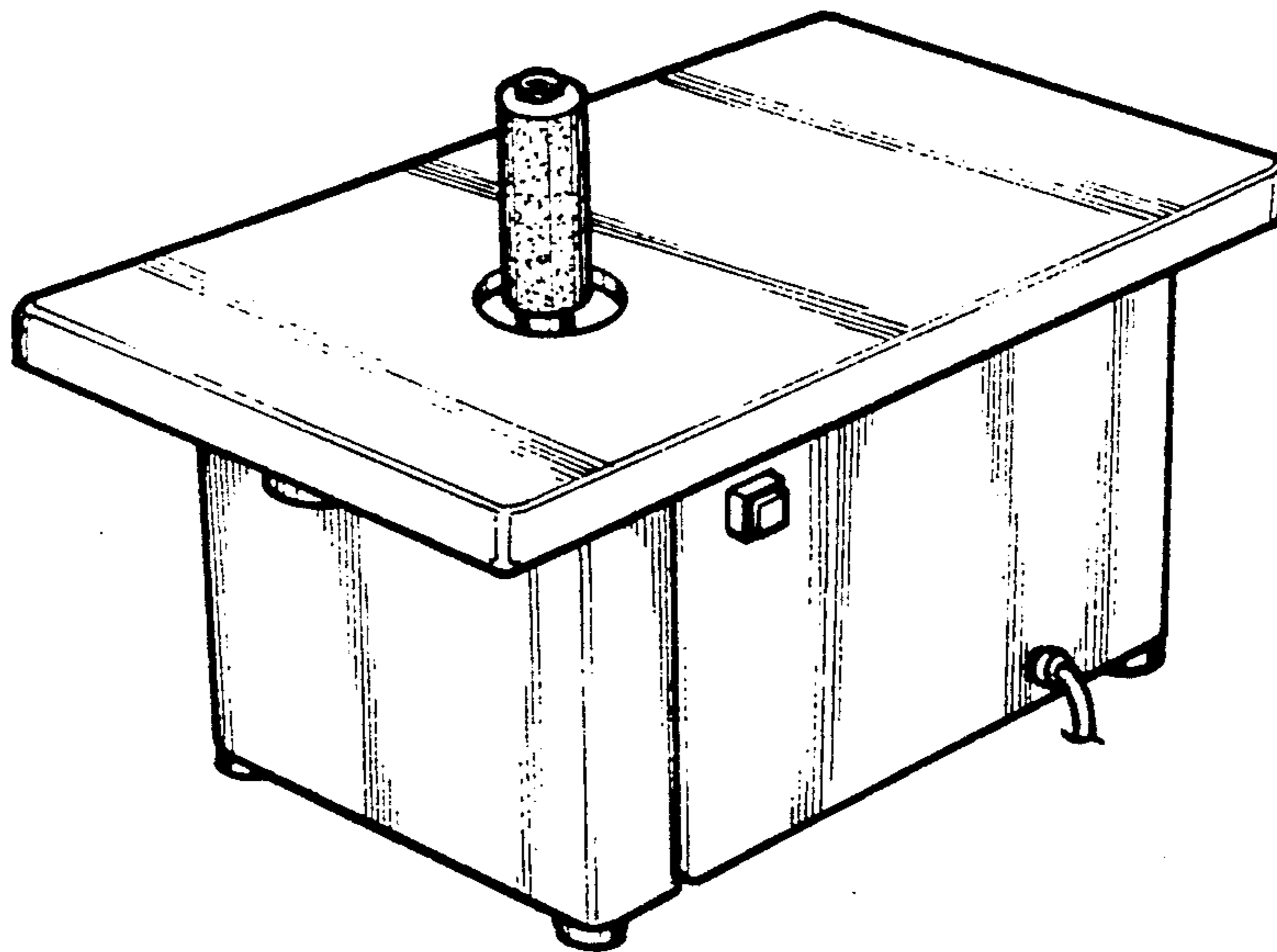
[58] Field of Search 144/117 R-117 C,
144/120, 121, 130, 286 R-286 A, 287;
D15/124-126

FIG. 1 is a perspective view embodying the ornamental design constituting my invention;
FIG. 2 is a top elevational view;
FIG. 3 is a front elevational view;
FIG. 4 is a left side view;
FIG. 5 is a rear elevational view;
FIG. 6 is a rear elevational view; and,
FIG. 7 is a bottom elevational view.

[56] **References Cited**

U.S. PATENT DOCUMENTS

D. 188,765 9/1960 Franklin D15/124



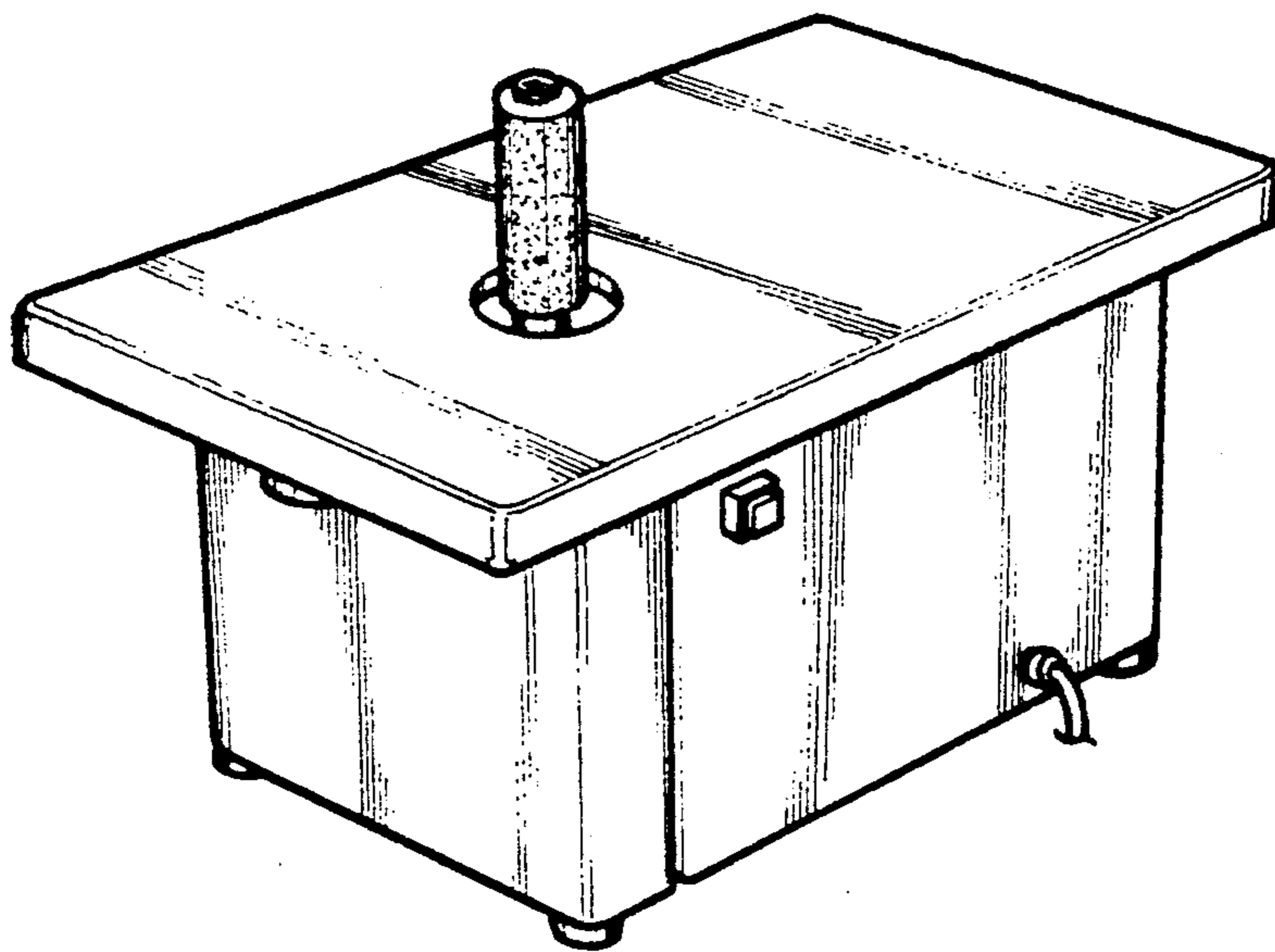


Fig-1

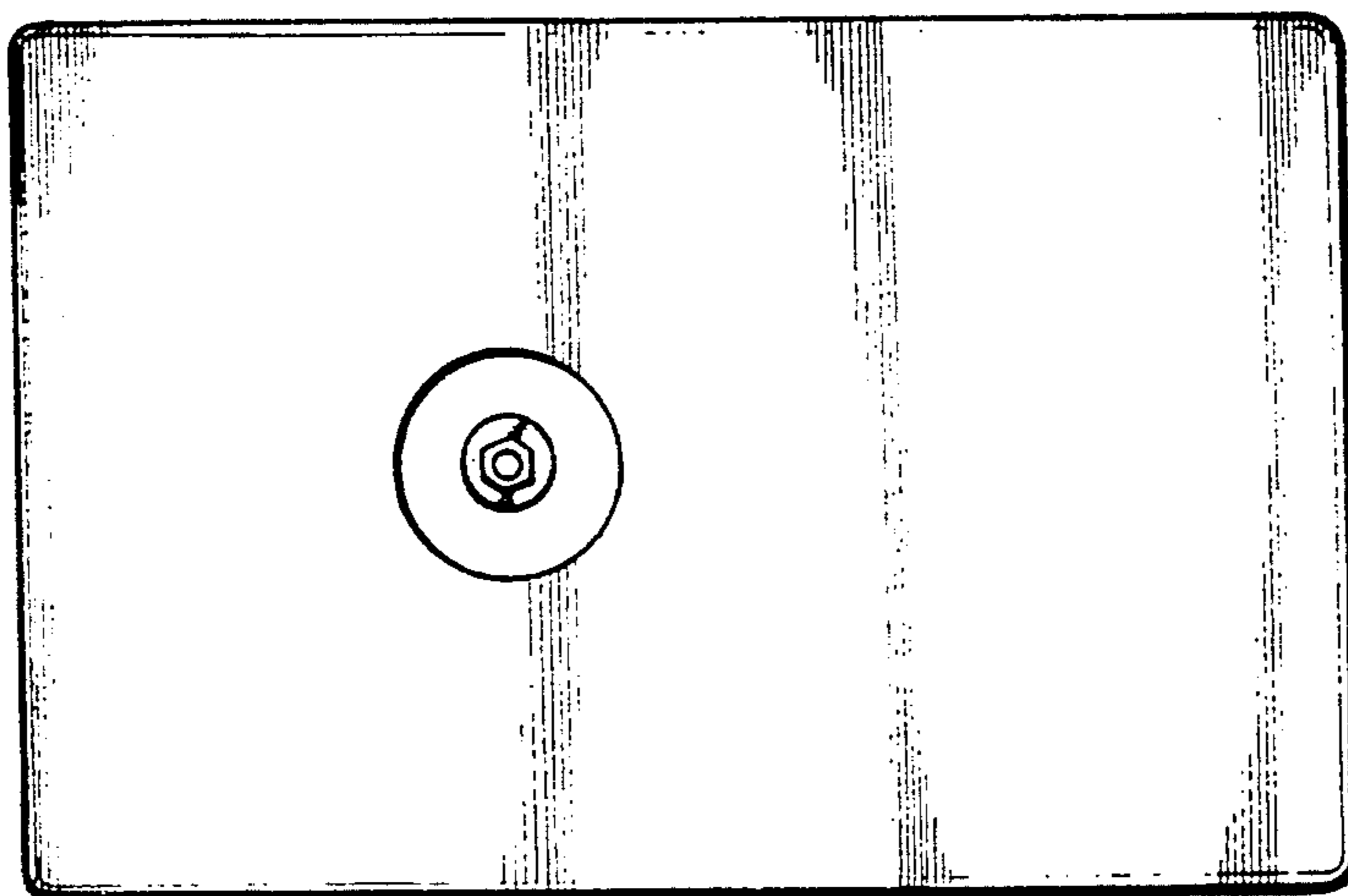


Fig-2

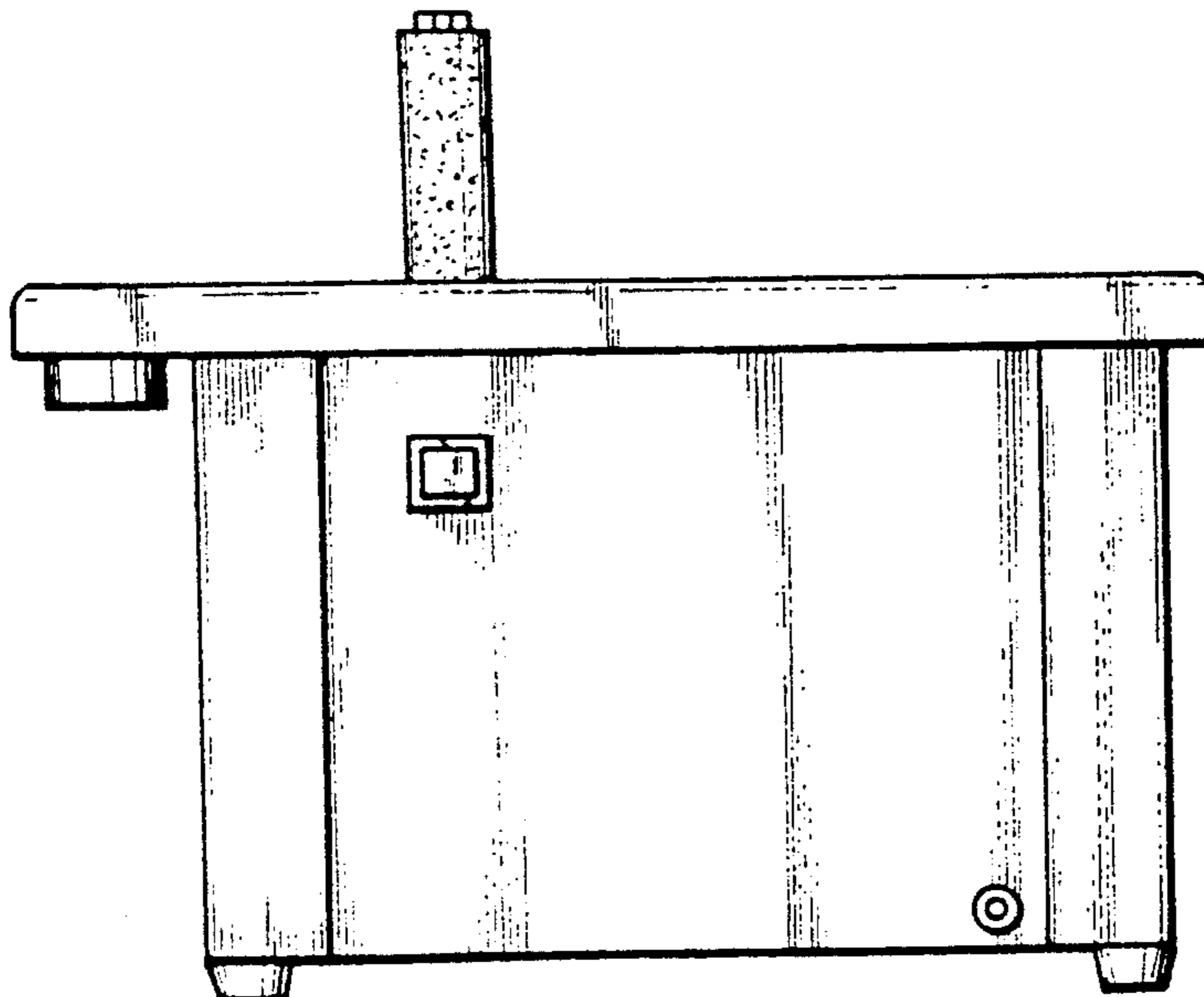


Fig-3

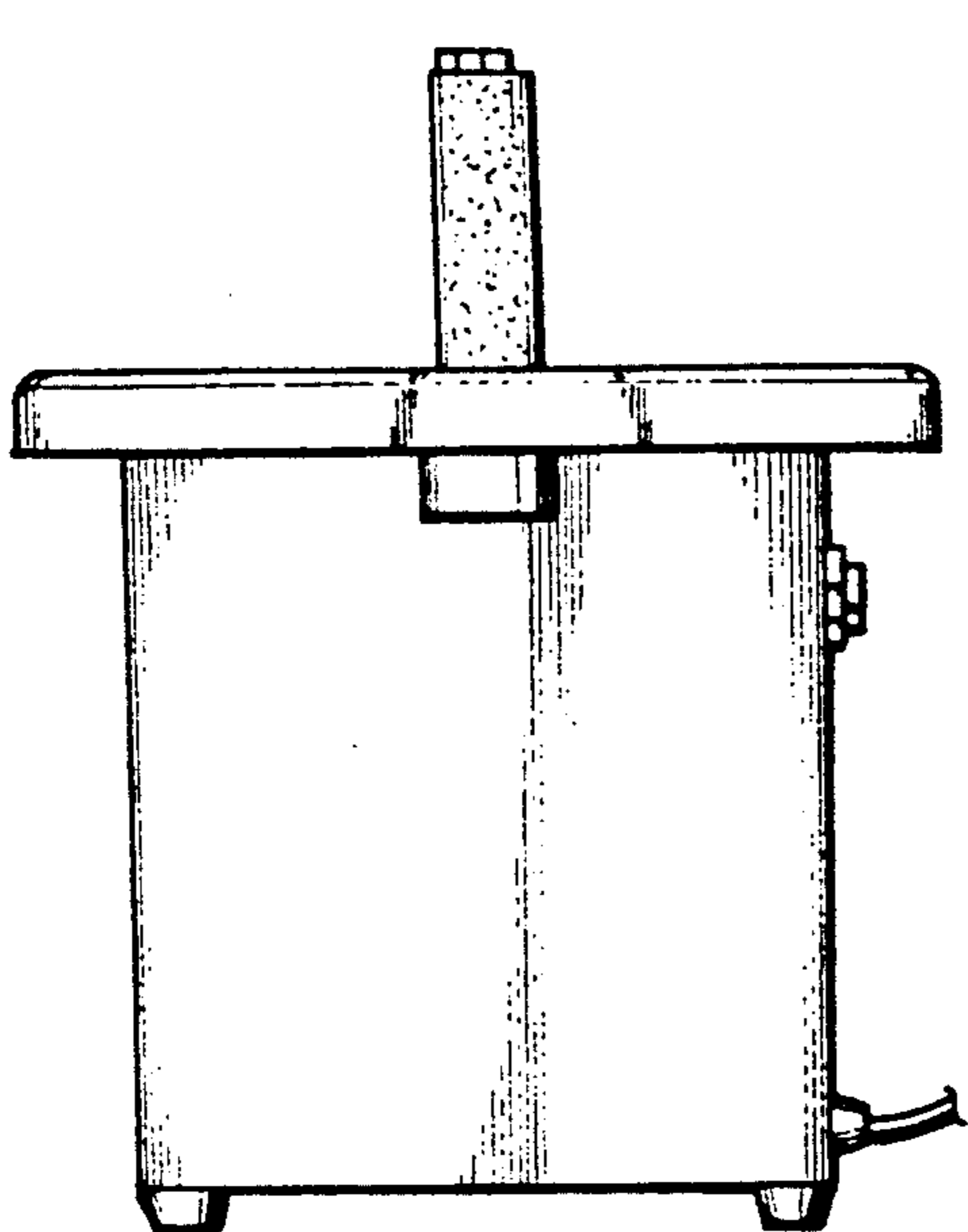


Fig-4

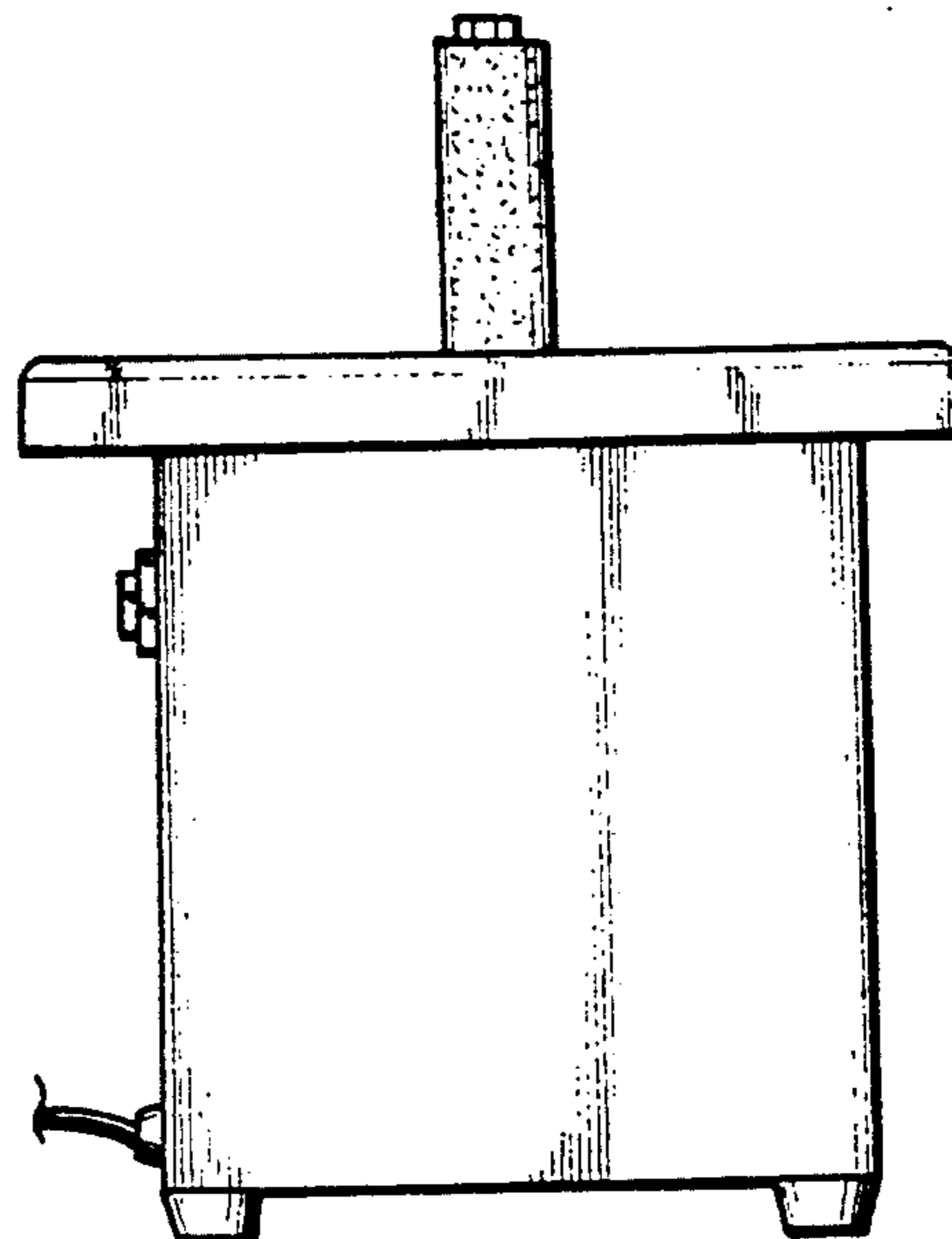


Fig-5

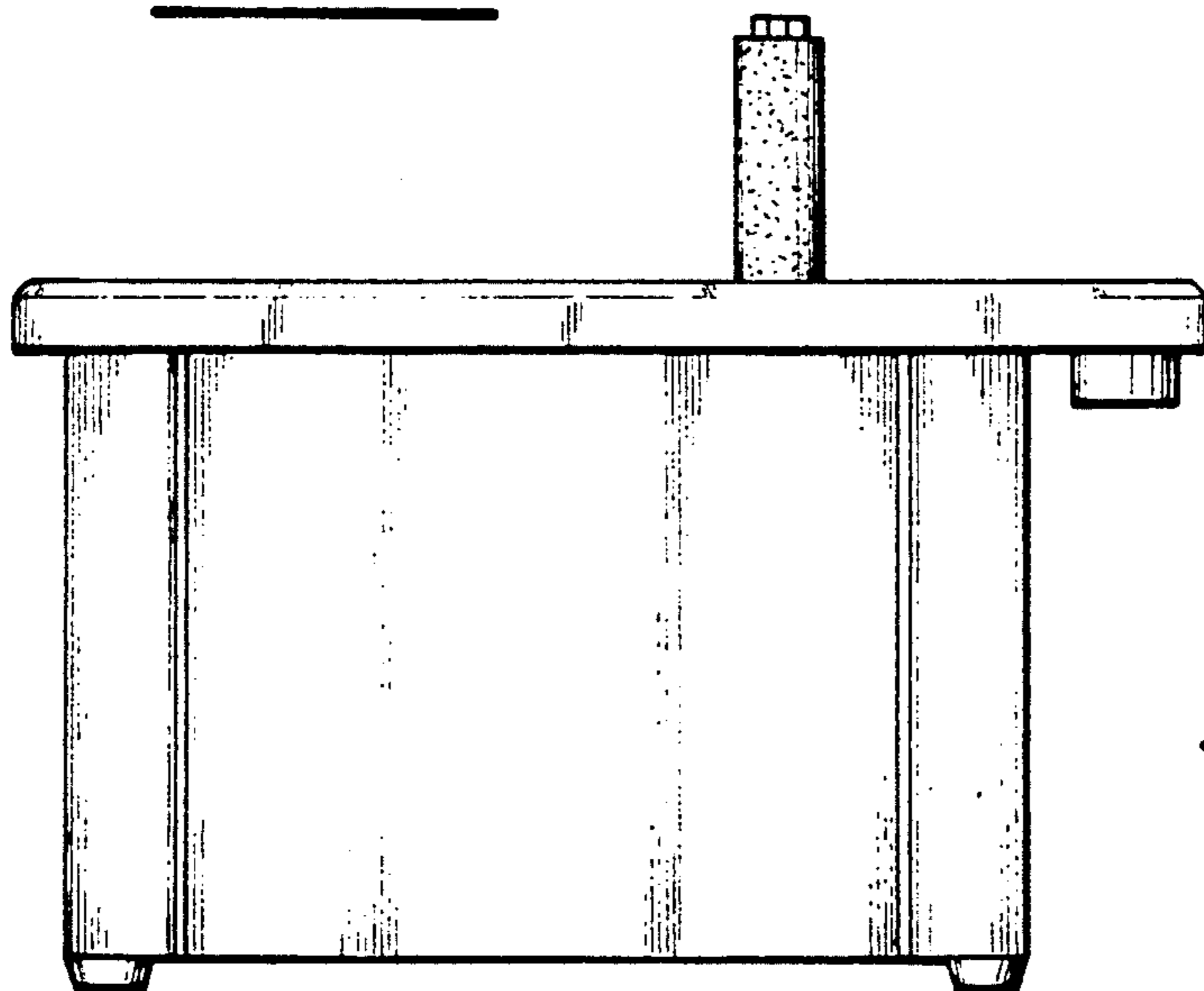


Fig-6

Fig-7

