



US00D345365S

# United States Patent [19]

[11] Patent Number: **Des. 345,365**

Sanvito

[45] Date of Patent: **\*\* Mar. 22, 1994**

[54] **CYLINDRICAL RED SEWING MACHINE**

[56] **References Cited**

[75] Inventor: **Roberto Sanvito, Milan, Italy**

### U.S. PATENT DOCUMENTS

[73] Assignee: **Rimoldi, S.r.l., Milan, Italy**

D. 310,532	9/1990	Gota .....	D15/69
D. 321,694	11/1991	Uchida .....	D15/69
4,325,314	4/1982	Niem .....	112/199
4,655,151	4/1987	Alberti et al. ....	112/260
4,967,677	11/1990	Seiriki et al. ....	112/199
4,989,527	2/1991	Ott .....	112/121.15

[\*\*] Term: **14 Years**

### FOREIGN PATENT DOCUMENTS

[21] Appl. No.: **8,883**

2157615 11/1986 United Kingdom ..... 112/217.1

[22] Filed: **Apr. 14, 1993**

*Primary Examiner*—Bernard Ansher  
*Assistant Examiner*—Sandra Morris  
*Attorney, Agent, or Firm*—Laff, Whitesel, Conte & Saret

### Related U.S. Application Data

[57] **CLAIM**

[63] Continuation of Ser. No. 590,641, Sep. 28, 1990, abandoned, which is a continuation of Ser. No. 218,933, Jul. 13, 1988, abandoned.

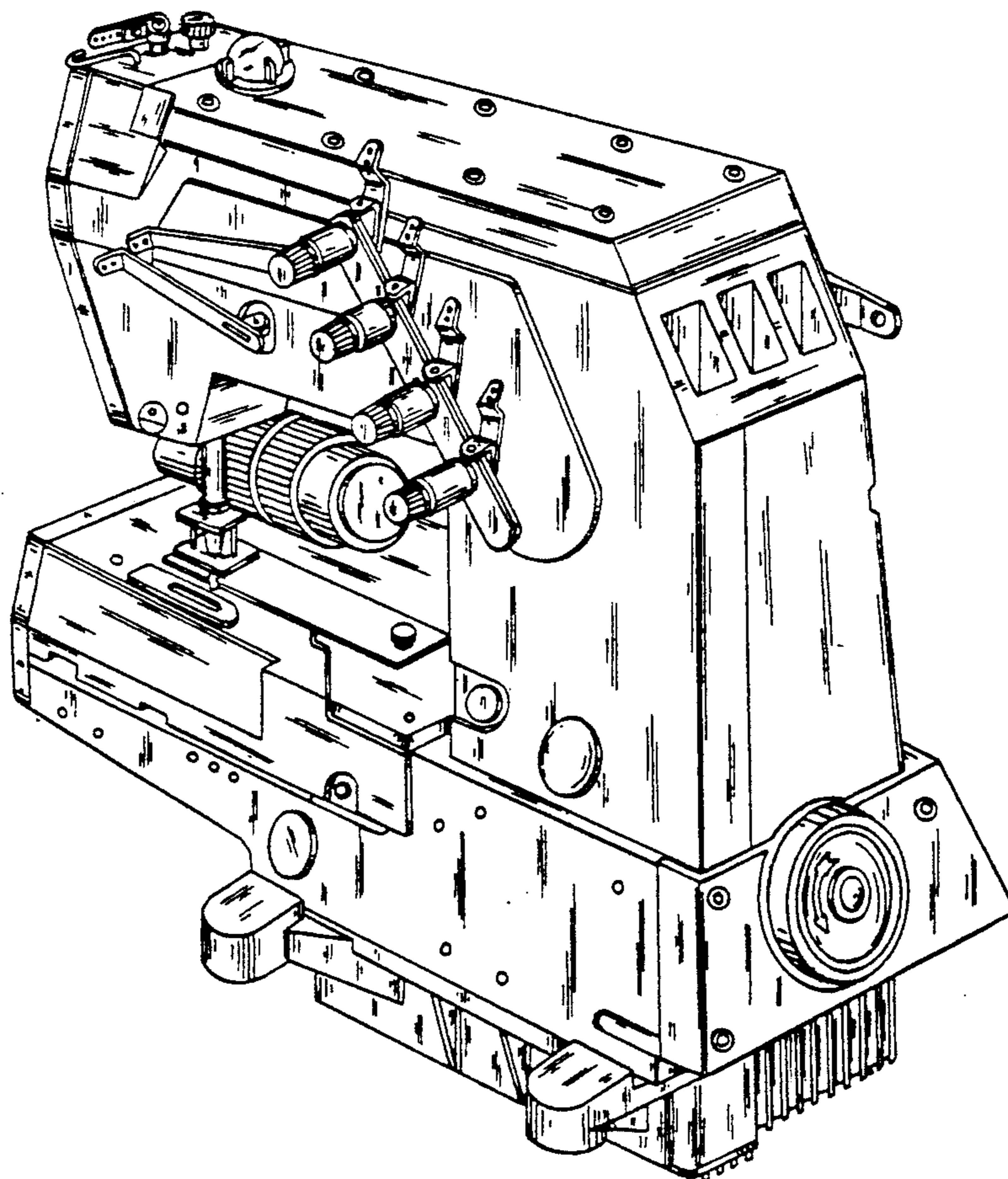
The ornamental design for a sewing machine, as shown.

### DESCRIPTION

### Foreign Application Priority Data

May 17, 1988 [IT] Italy ..... 21258/88[U]  
[52] U.S. Cl. .... **D15/69**  
[58] Field of Search ..... 112/119, 217.1-217.4,  
112/258-262.1; D15/66-70

FIG. 1 is a front elevational view of a sewing machine, showing my new design;  
FIG. 2 is a rear elevational view thereof;  
FIG. 3 is a right side elevational view thereof;  
FIG. 4 is a left side elevational view thereof;  
FIG. 5 is a top plan view thereof; and,  
FIG. 6 is a perspective view thereof.



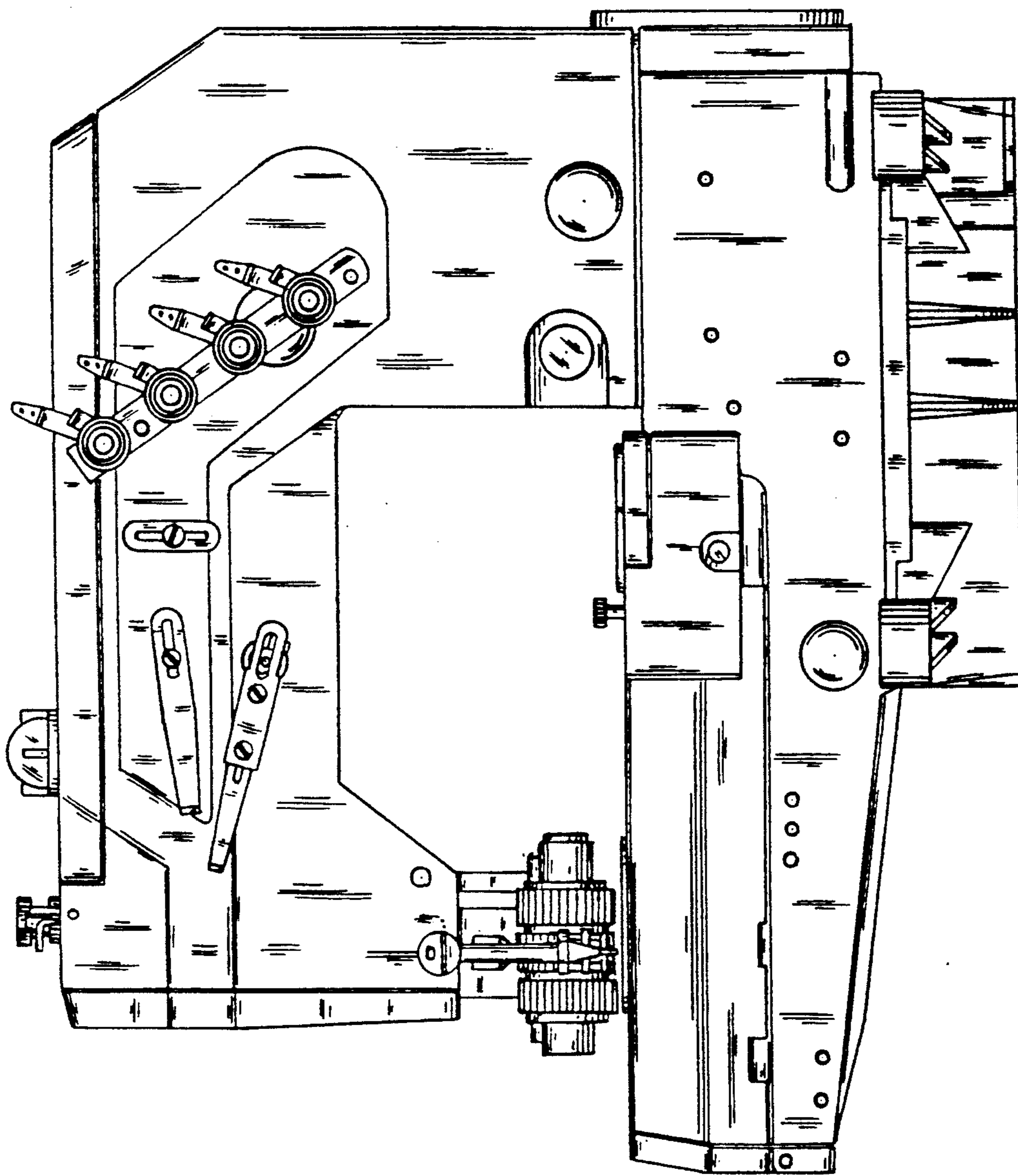


FIG. 1

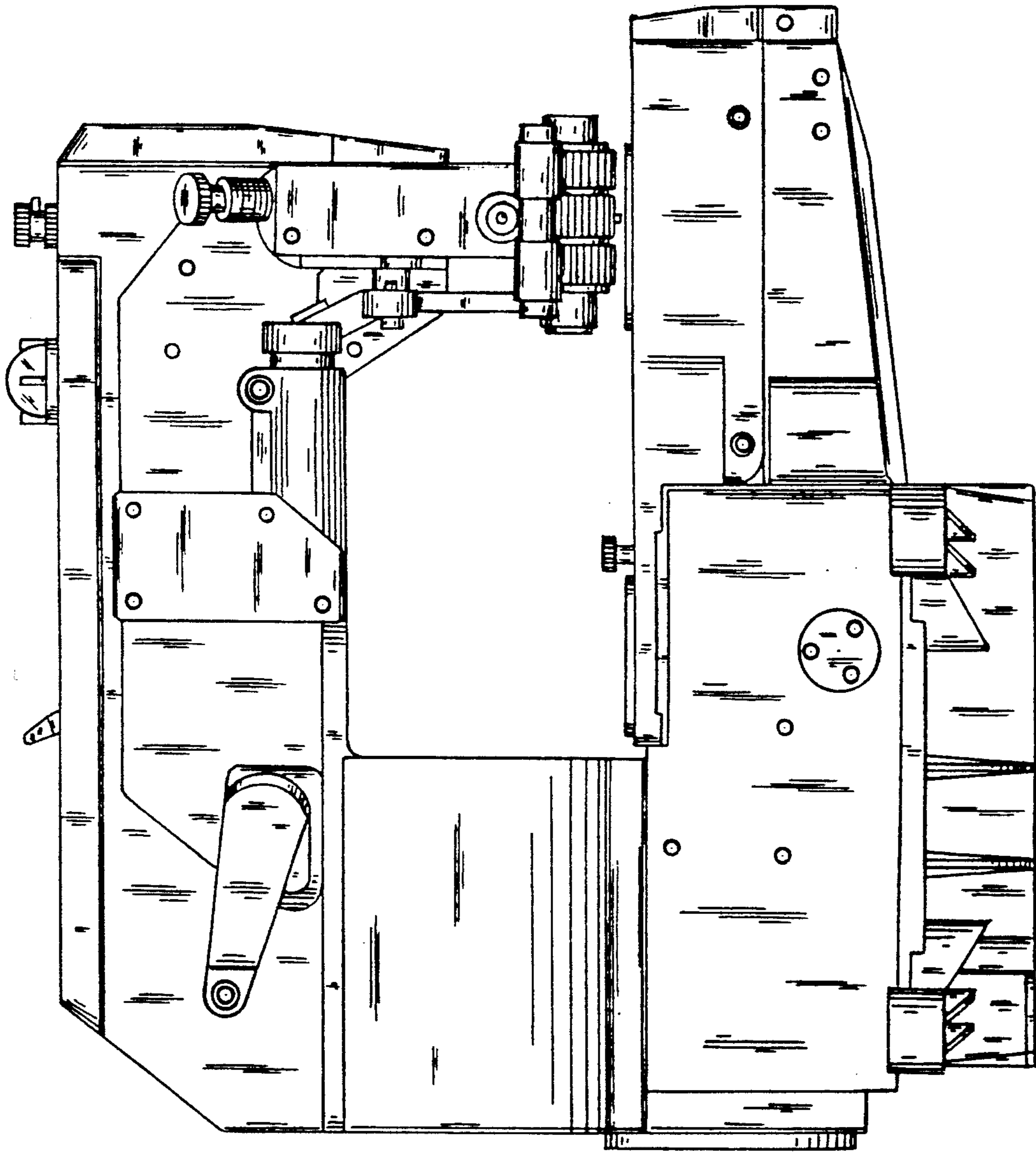


FIG. 2

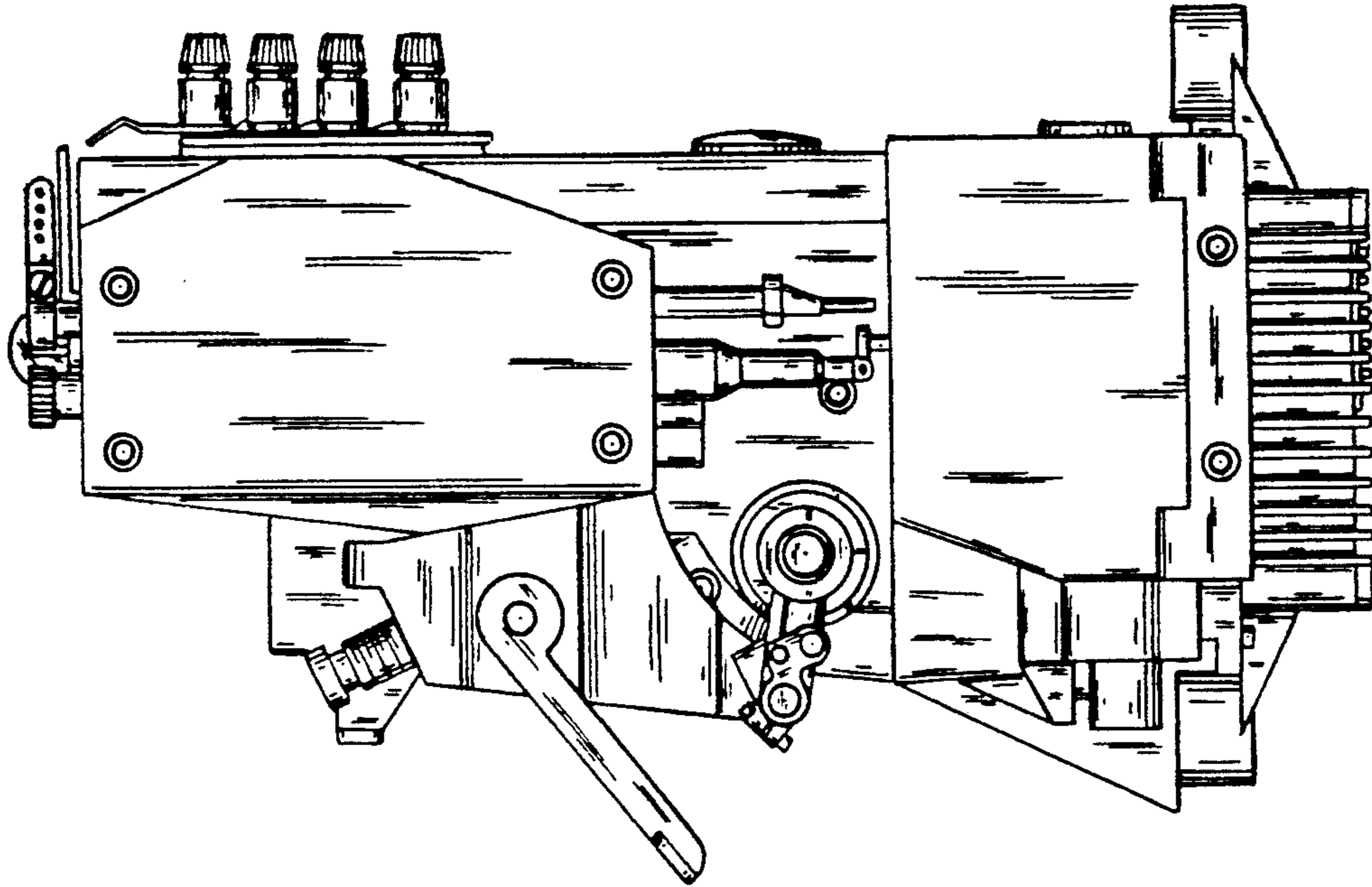


FIG. 4

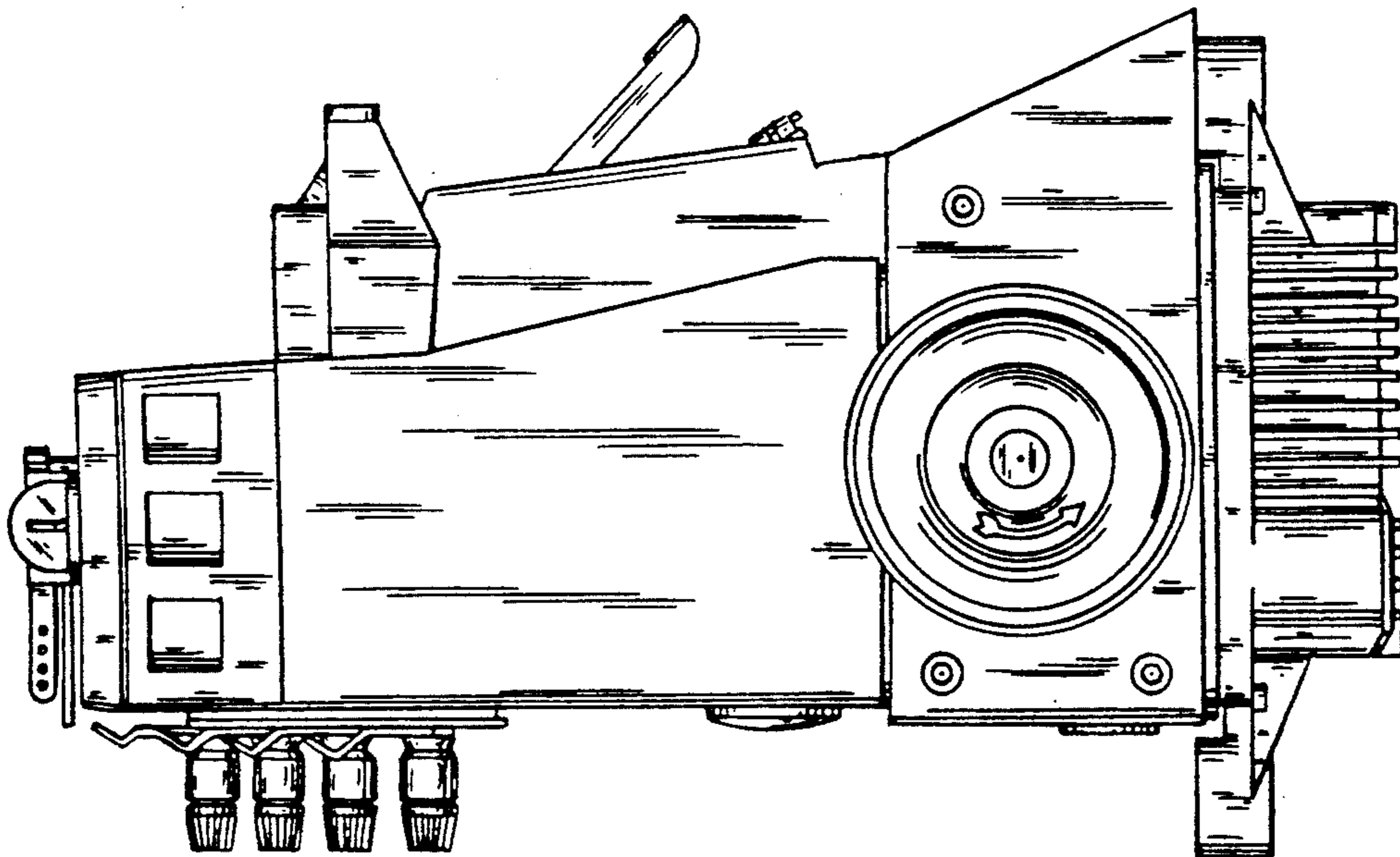


FIG. 3

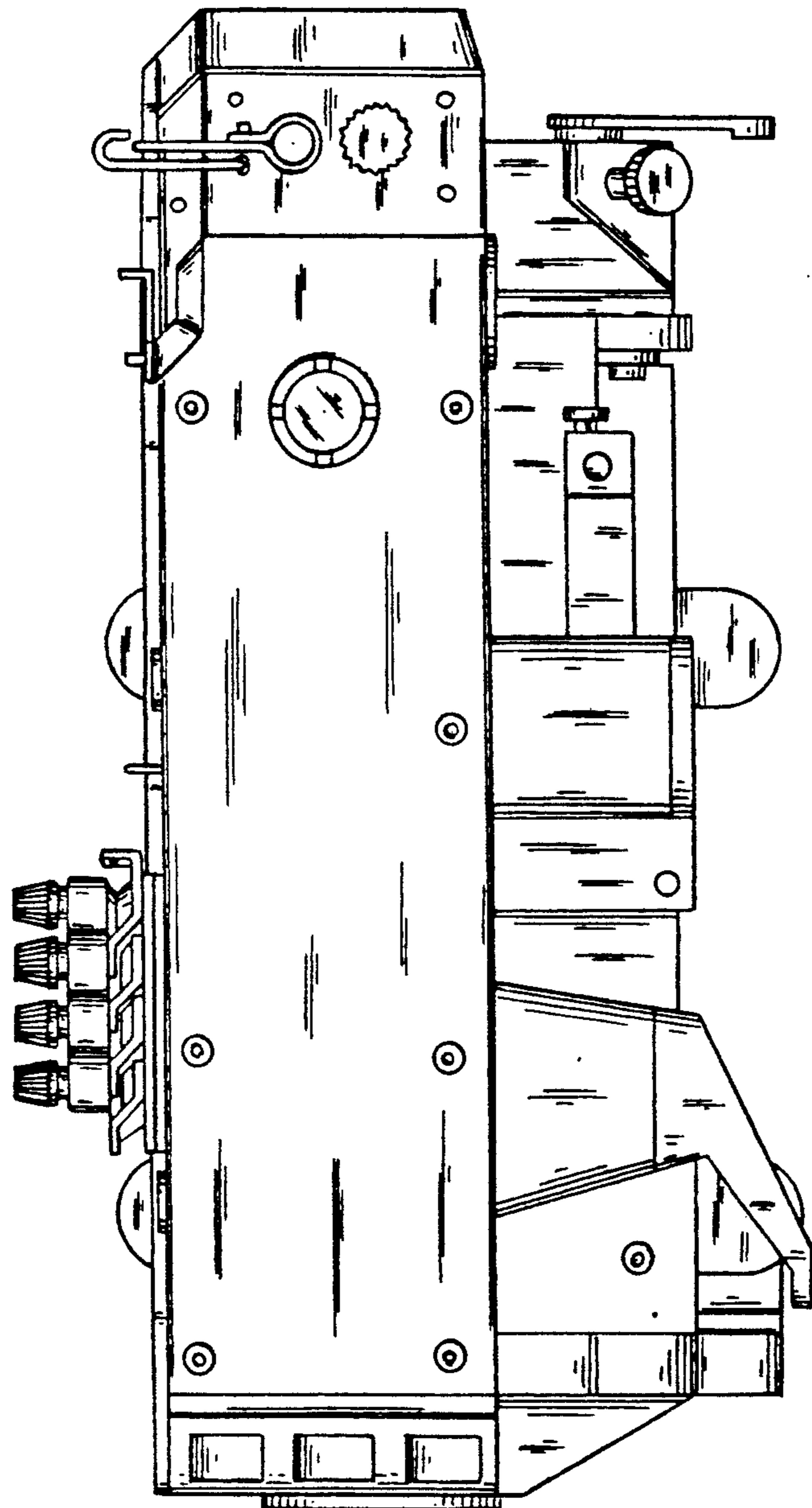


FIG. 5

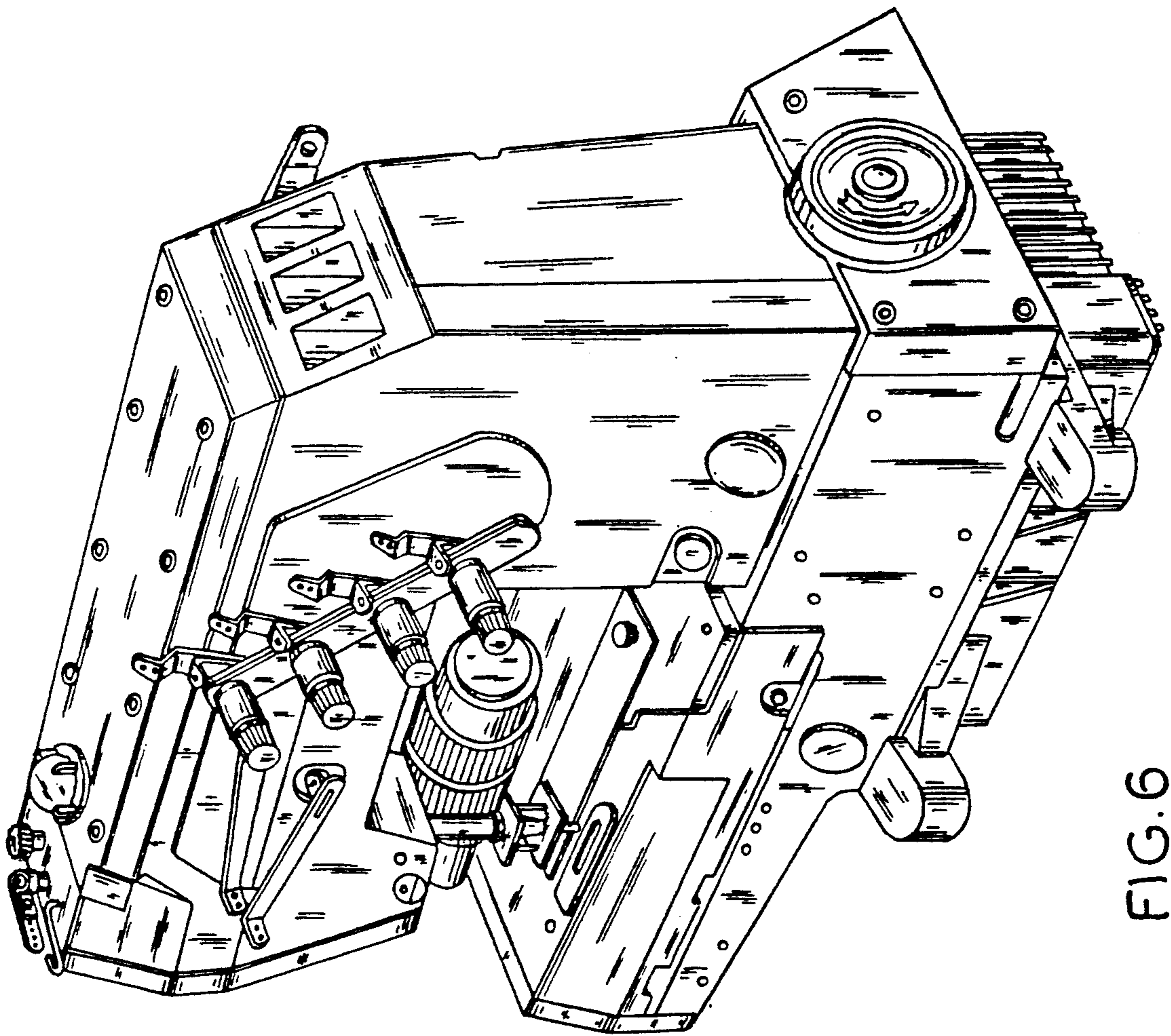


FIG. 6