



US00D345362S

United States Patent [19]

Kadono et al.

[11] Patent Number: Des. 345,362

[45] Date of Patent: ** Mar. 22, 1994

[54] **FLAT ANTENNA FOR RECEIVING SATELLITE BROADCASTING**

[75] Inventors: **Tsuyoshi Kadono; Hiroyuki Nishimura**, both of Osaka, Japan

[73] Assignee: **Matsushita Electric Works, Ltd.**, Osaka, Japan

[**] Term: **14 Years**

[21] Appl. No.: **836,442**

[22] Filed: **Feb. 18, 1992**

[30] **Foreign Application Priority Data**

Dec. 17, 1991 [JP] Japan 3-38155

[52] U.S. Cl. **D14/230**

[58] Field of Search 343/720, 741, 744, 797, 343/866, 869, 871, 873, 878, 880, 881, 882, 887, 892, 908, 915; D14/230, 238, 299

[56] **References Cited**

U.S. PATENT DOCUMENTS

- D. 308,521 6/1990 Lonczak D14/230
- D. 310,671 9/1990 Weiss D14/250
- D. 321,883 11/1991 Burchardt D14/230
- D. 327,690 7/1992 Ogawa et al. D14/230

5,019,833 5/1991 Nonaka 343/878 X

Primary Examiner—Bernard Ansher
Assistant Examiner—Richelle Shelton
Attorney, Agent, or Firm—Burns, Doane, Swecker & Mathis

[57] **CLAIM**

The ornamental design for a flat antenna for receiving satellite broadcasting, as shown and described.

DESCRIPTION

FIG. 1 is a rear perspective view of a flat antenna for receiving satellite broadcasting in the open position showing our design;

FIG. 2 is a front elevational view of the antenna in the closed position;

FIG. 3 is a rear elevational view thereof;

FIG. 4 is a left side elevational view thereof;

FIG. 5 is a right side elevational view thereof;

FIG. 6 is a top plan view thereof;

FIG. 7 is a bottom plan view thereof;

FIG. 8 is a front elevational view of the antenna in the open position;

FIG. 9 is a rear elevational view thereof;

FIG. 10 is a top plan view thereof; and,

FIG. 11 is a right side elevational view thereof.

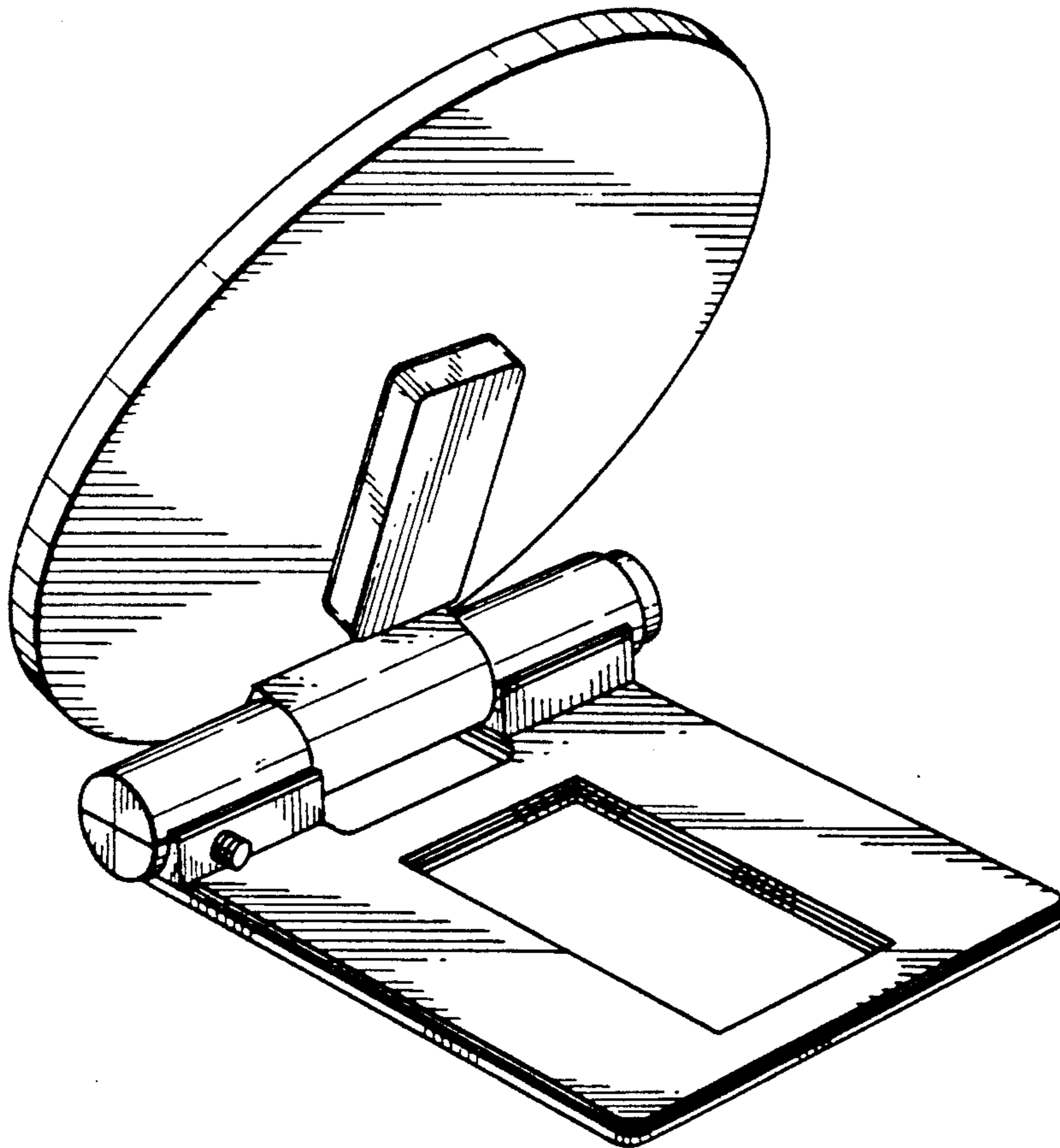


Fig. 1

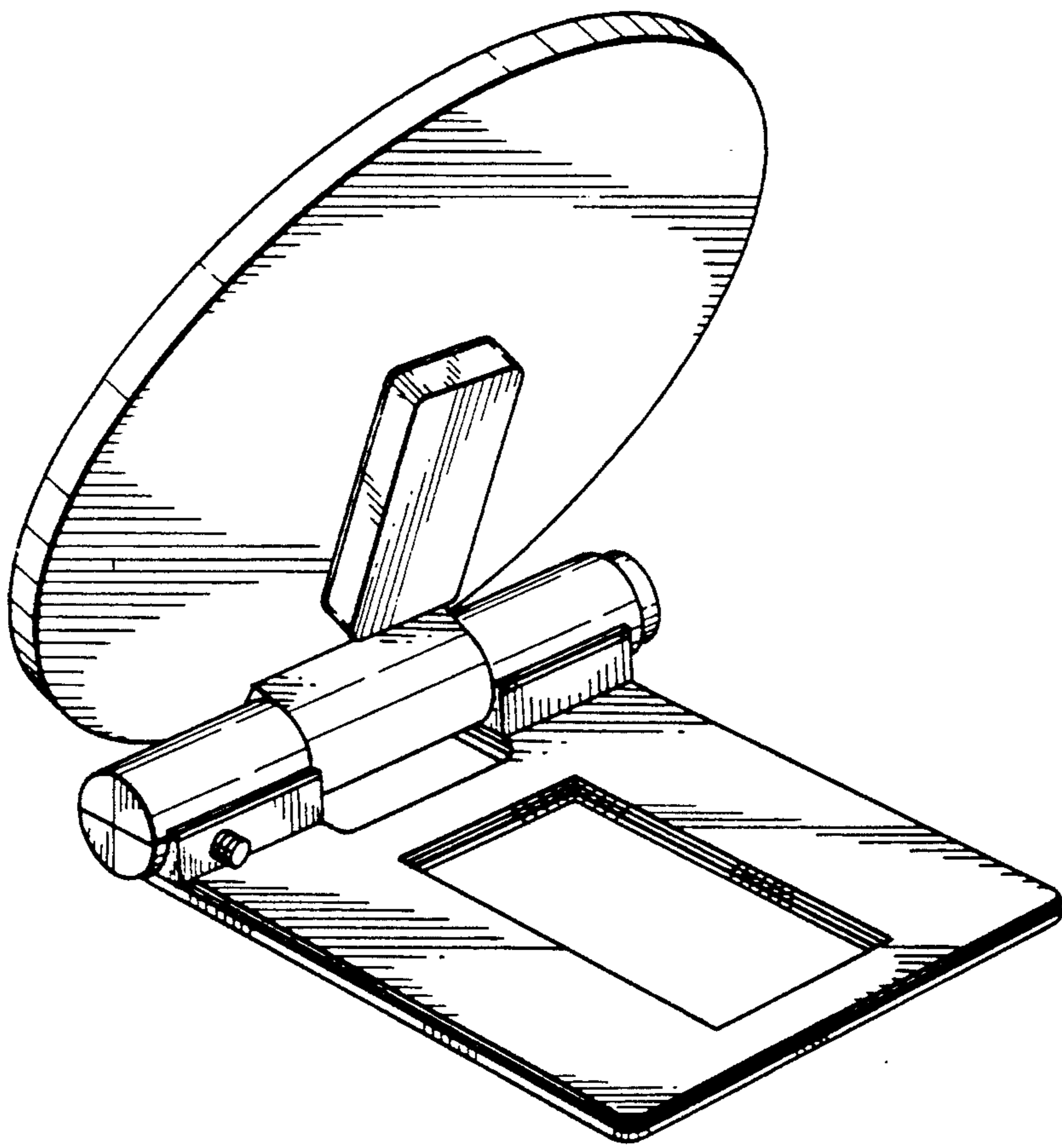


Fig. 2

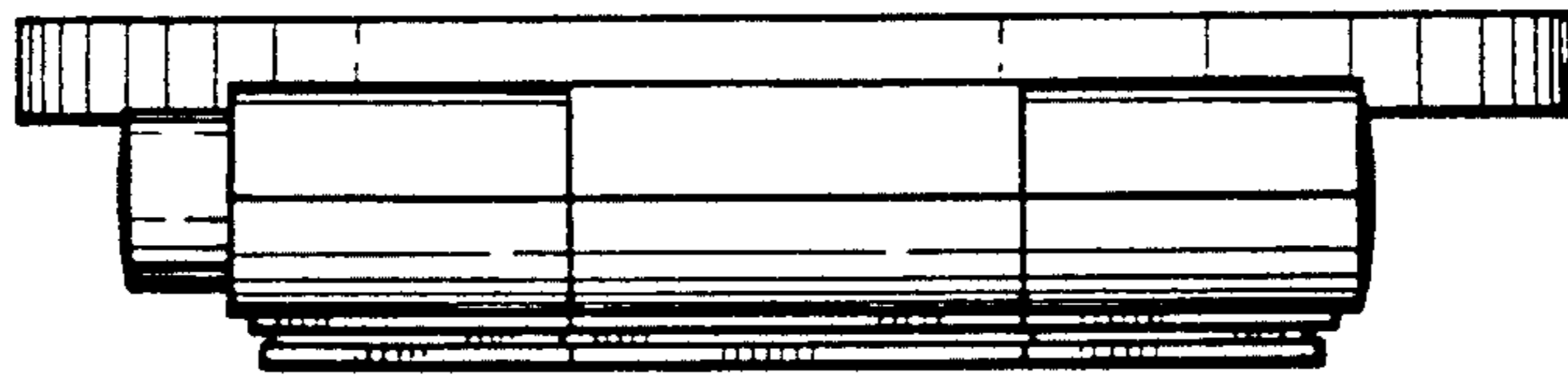


Fig. 3

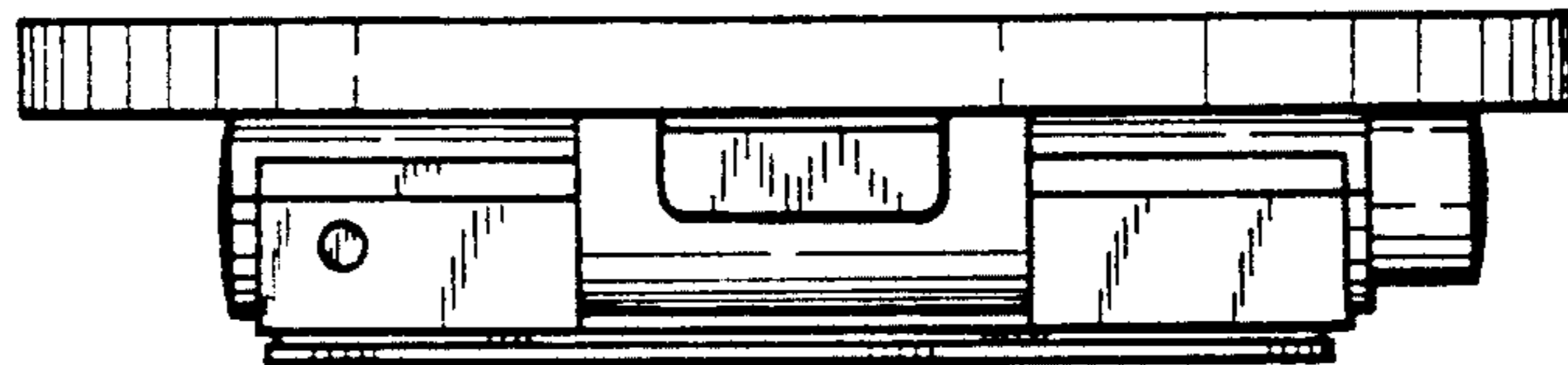


Fig. 4

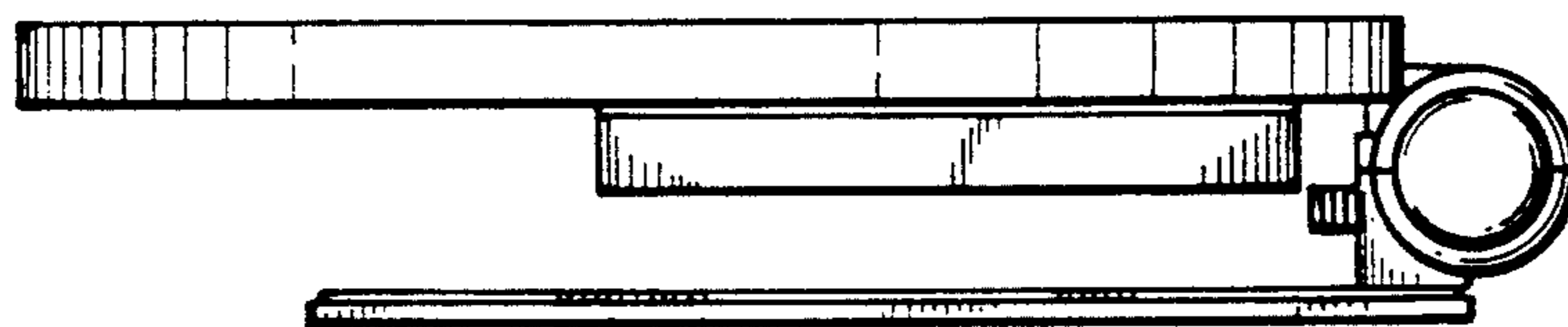


Fig. 5

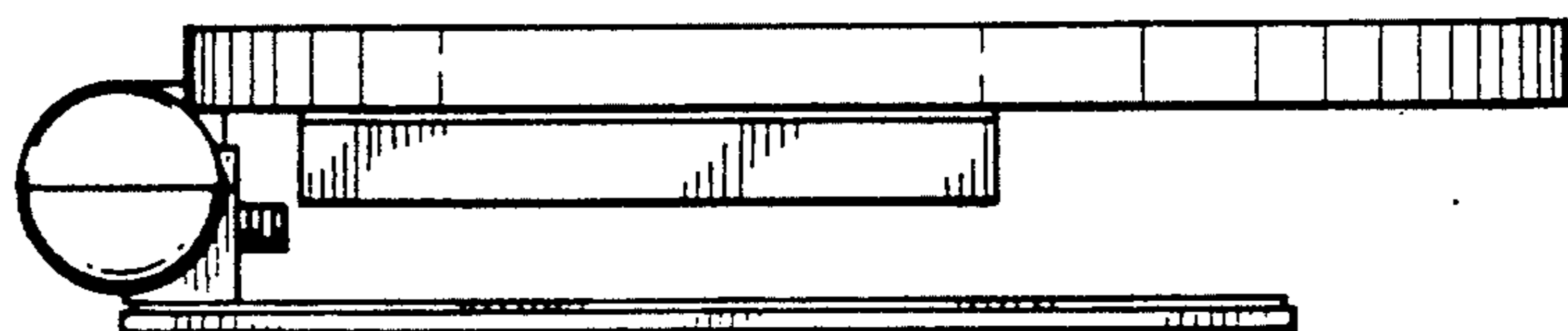


Fig. 6

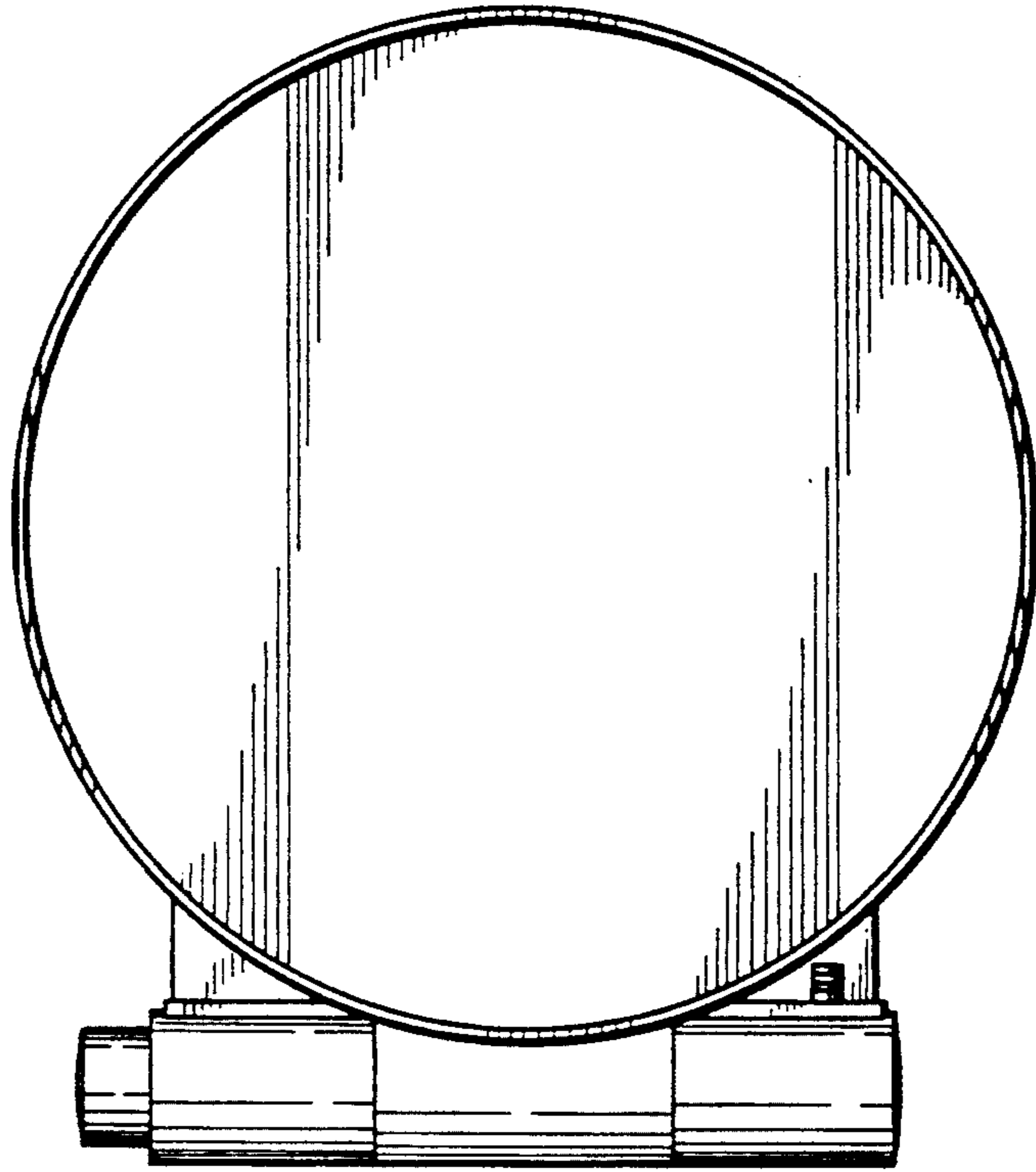


Fig. 7

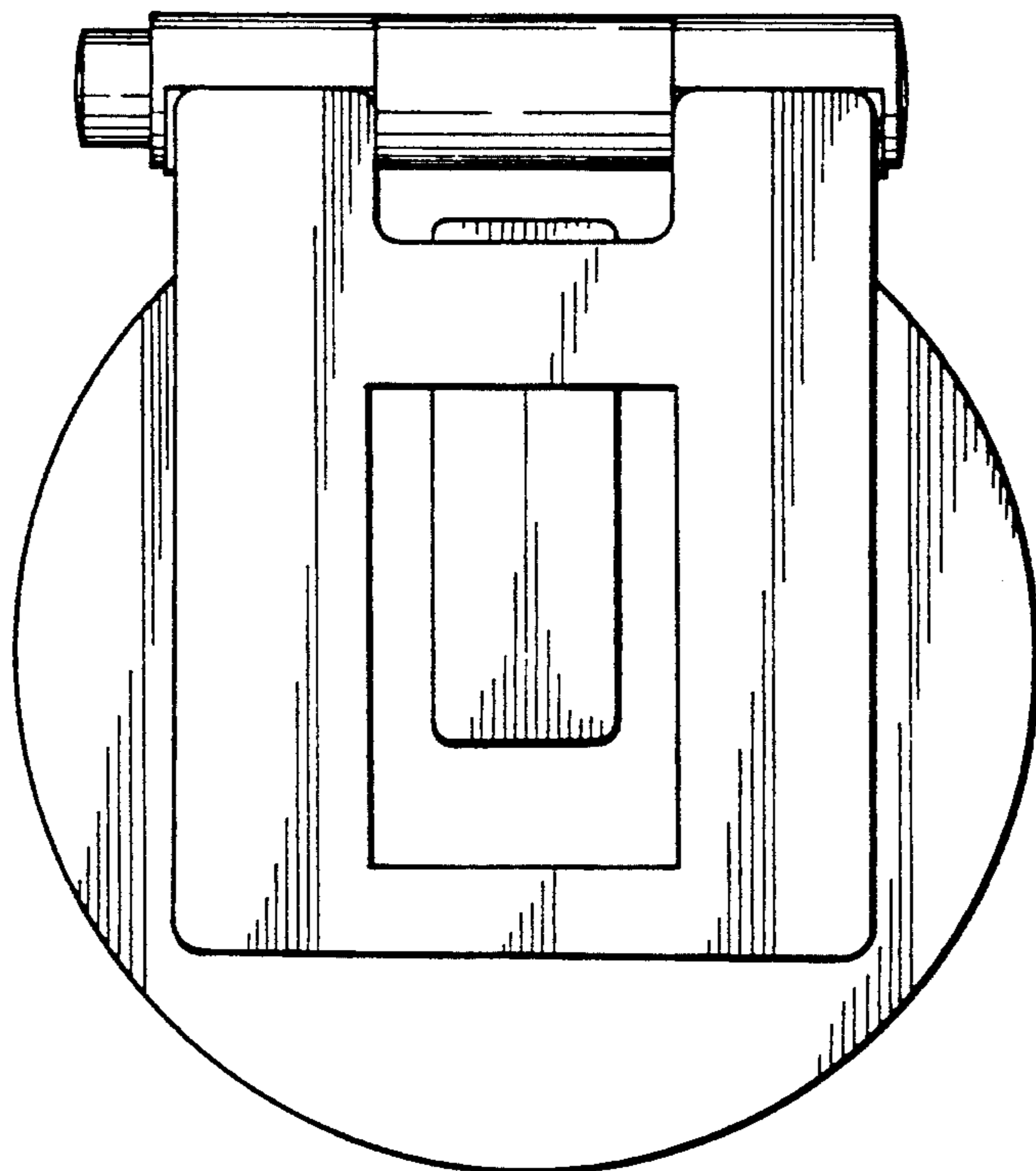


Fig. 8

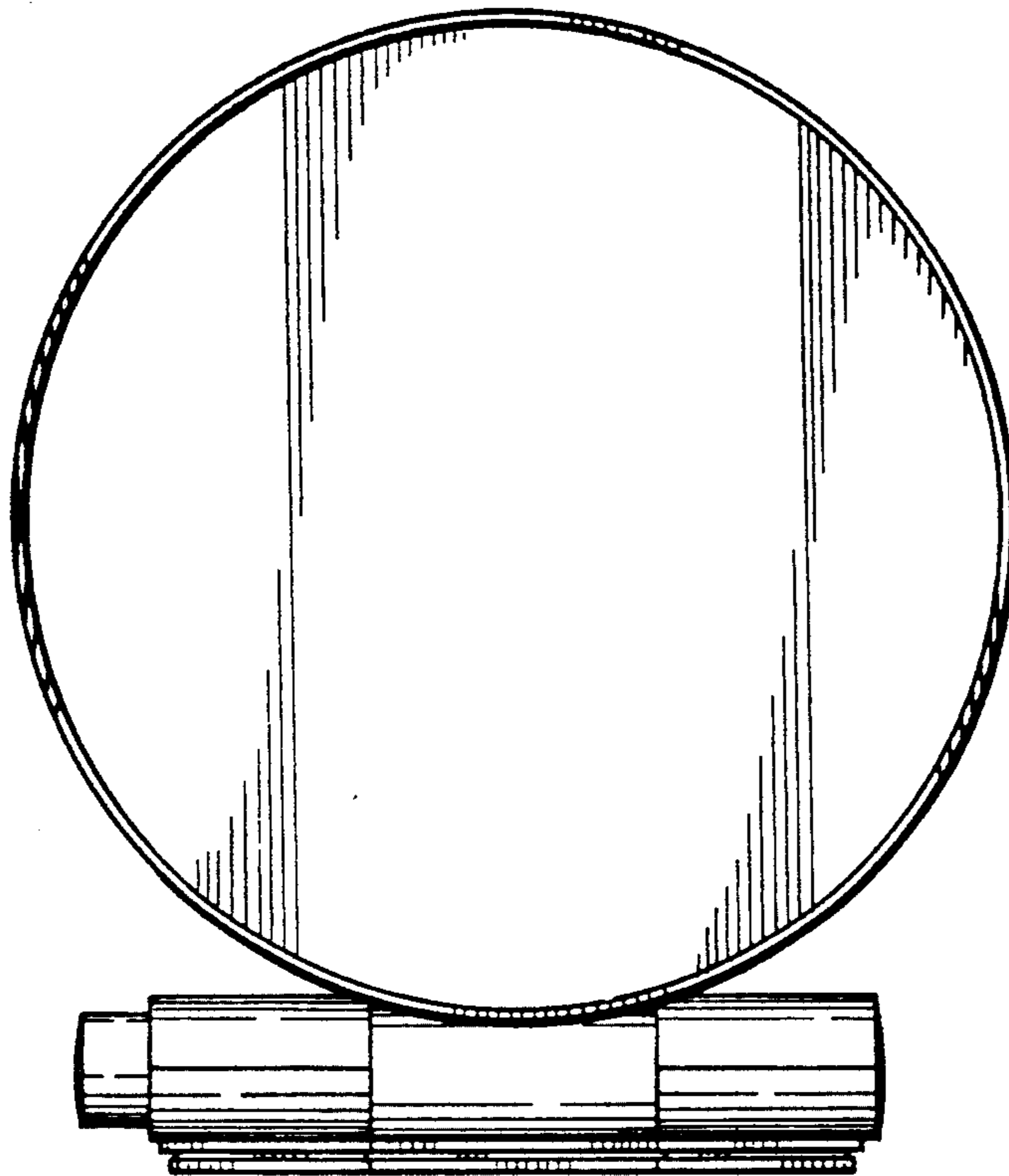


Fig. 9

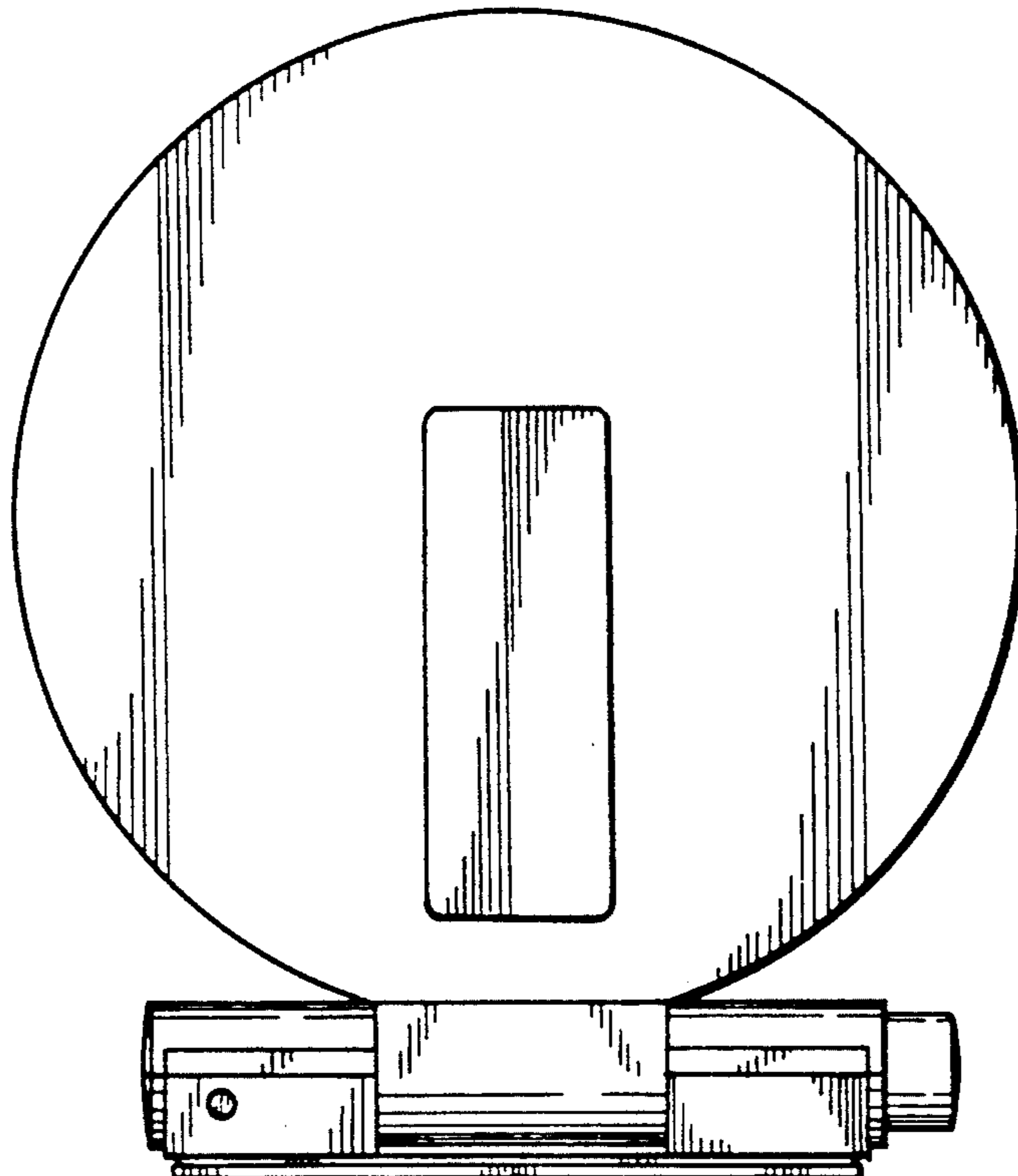


Fig. 10

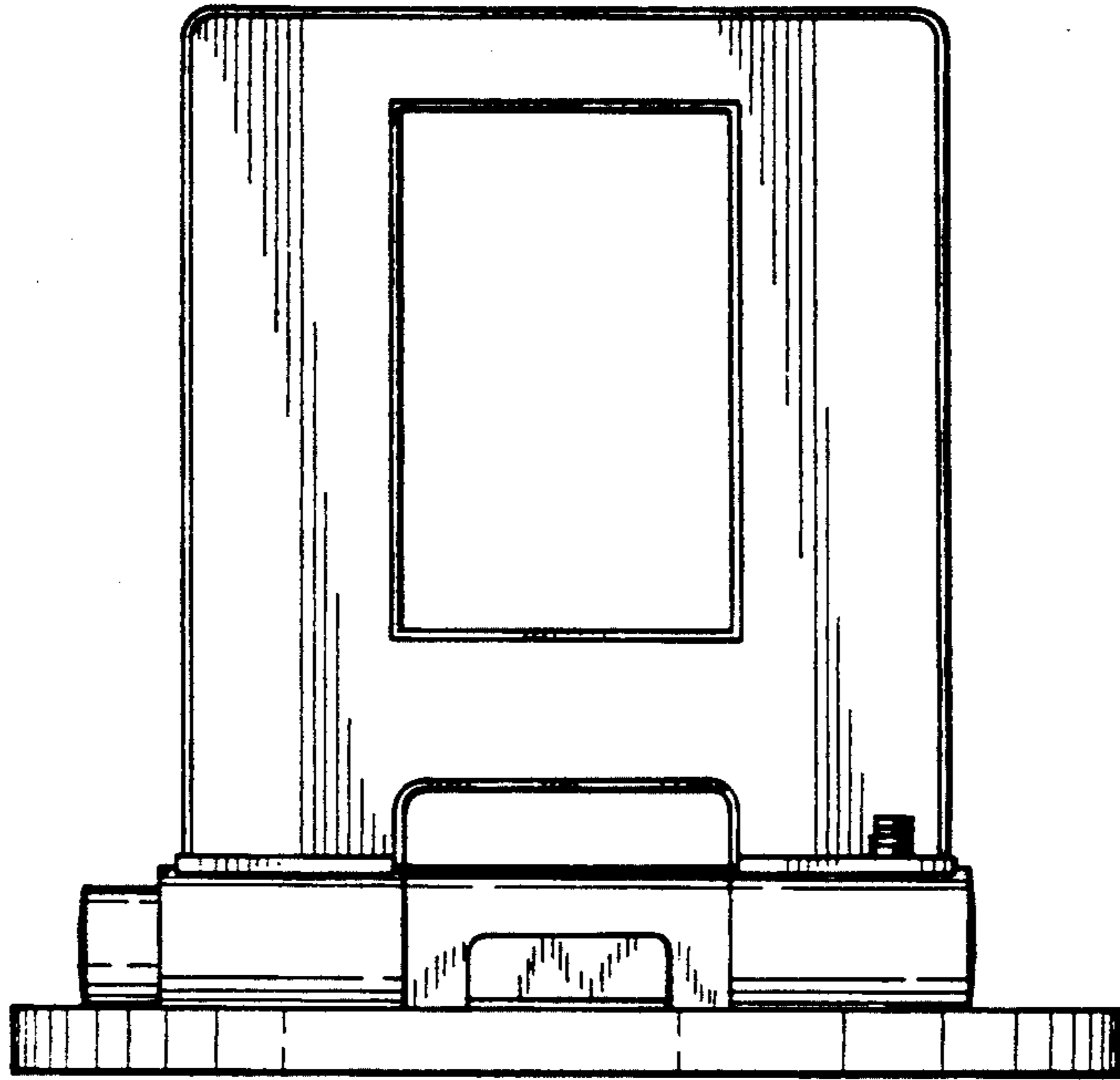


Fig. 11

