



US00D345360S

# United States Patent [19]

[11] Patent Number: **Des. 345,360**

Gioscia

[45] Date of Patent: **\*\* Mar. 22, 1994**

## [54] KITCHEN CLOCK RADIO

[75] Inventor: **Richard Gioscia, Mahwah, N.J.**

[73] Assignee: **Sony Electronics Inc., Park Ridge, N.J.**

[\*\*] Term: **14 Years**

[21] Appl. No.: **880,985**

[22] Filed: **May 11, 1992**

[52] U.S. Cl. .... **D14/171**

[58] Field of Search ..... **455/344, 347, 350, 351; D14/124, 160-172, 188, 265, 299; D10/1, 2, 15**

## [56] References Cited

### U.S. PATENT DOCUMENTS

D. 272,623	2/1984	Aoijis	.....	D14/171
D. 274,192	6/1984	Aoijis	.....	D14/171
D. 290,358	6/1987	Brandsma et al.	.....	D14/171
D. 321,516	11/1991	Powell	.....	D14/171

## OTHER PUBLICATIONS

Evans Gift Guide 1991-1992, p. 321y, Bottom-Under cabinet clock radios.

Hong Kong Enterprise, Feb. 1992, p. 183, Top right-melody clock radio.

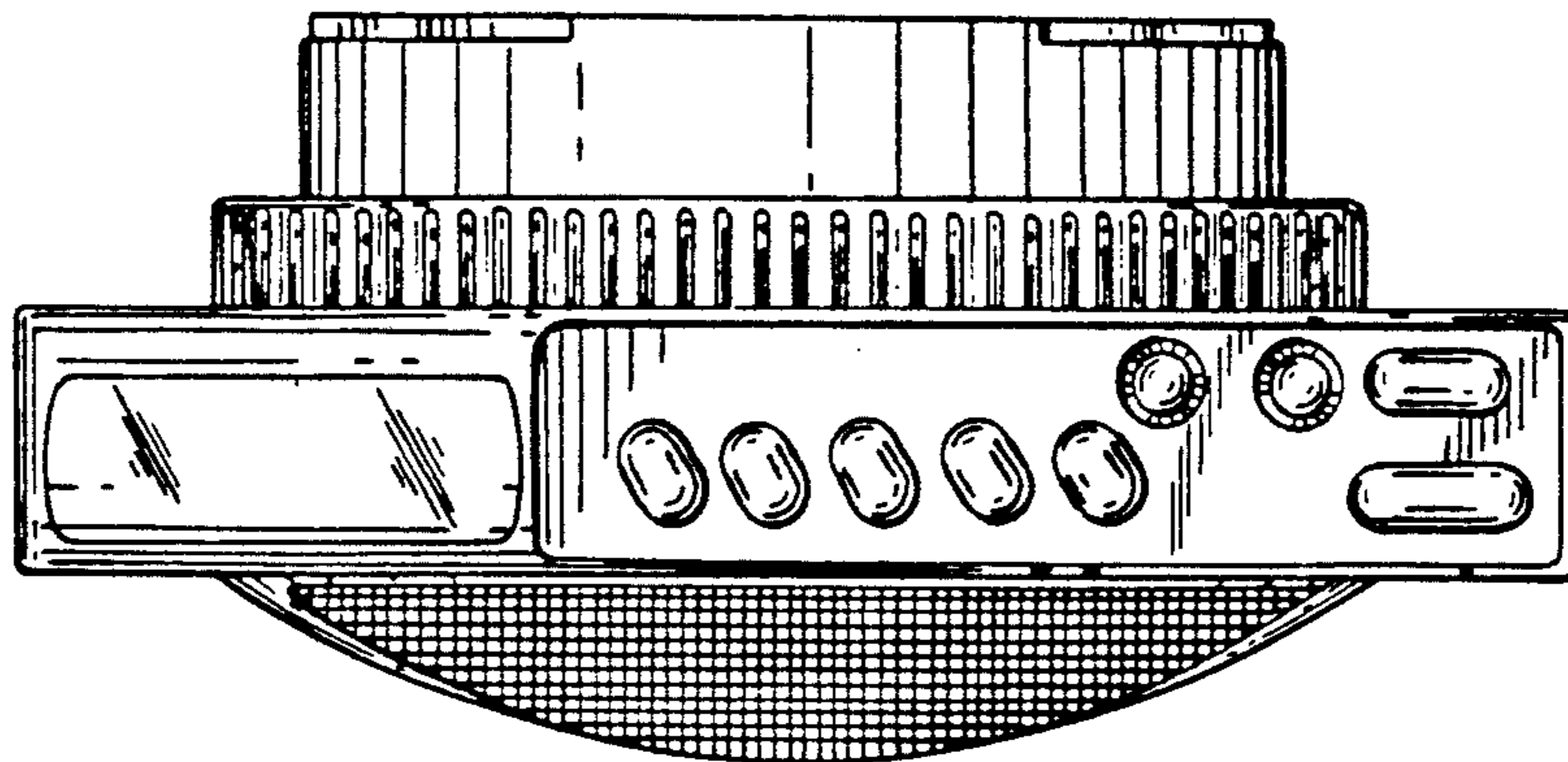
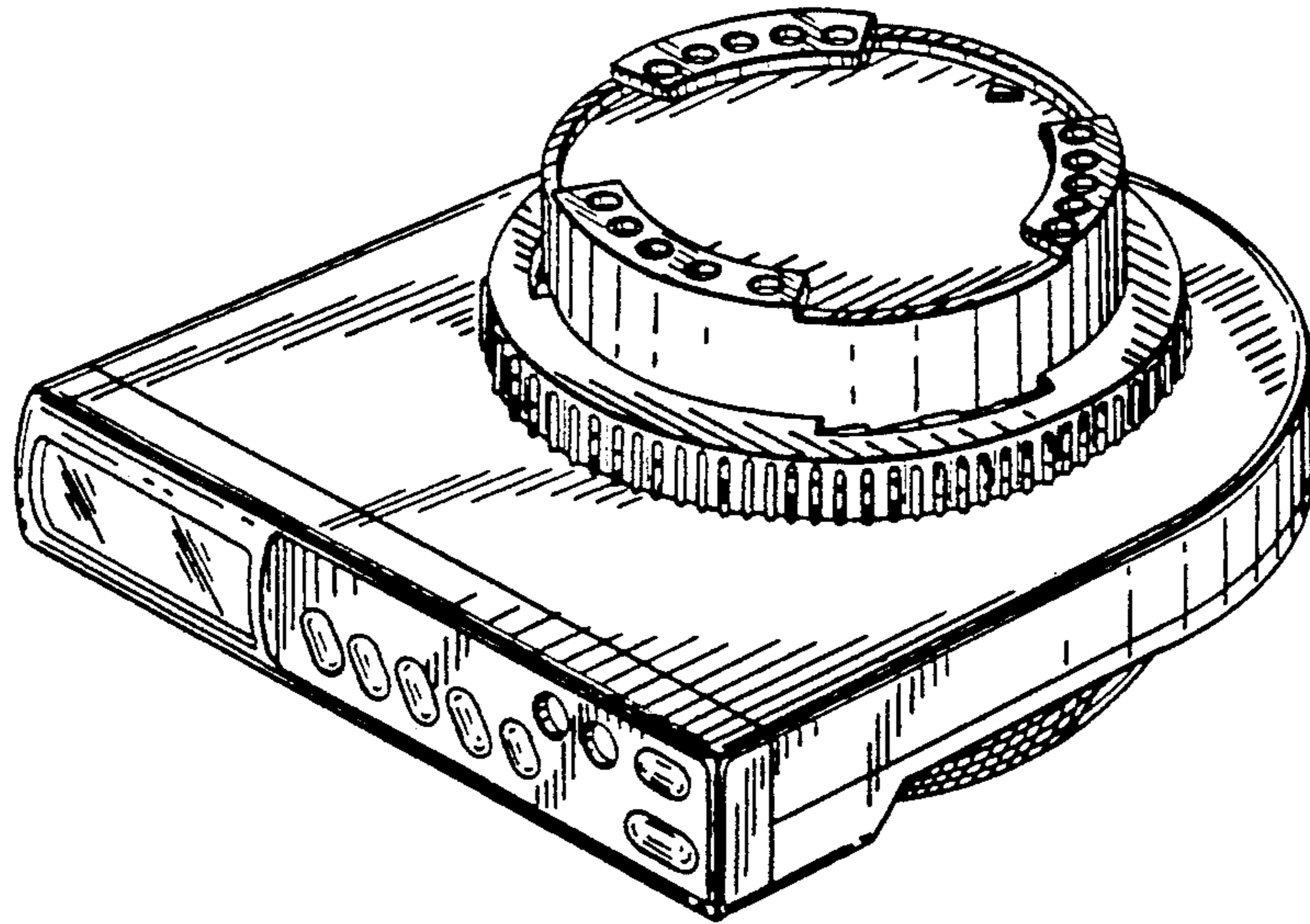
*Primary Examiner*—Theodore M. Shooman  
*Attorney, Agent, or Firm*—Lewis H. Eslinger; Jay H. Maioli

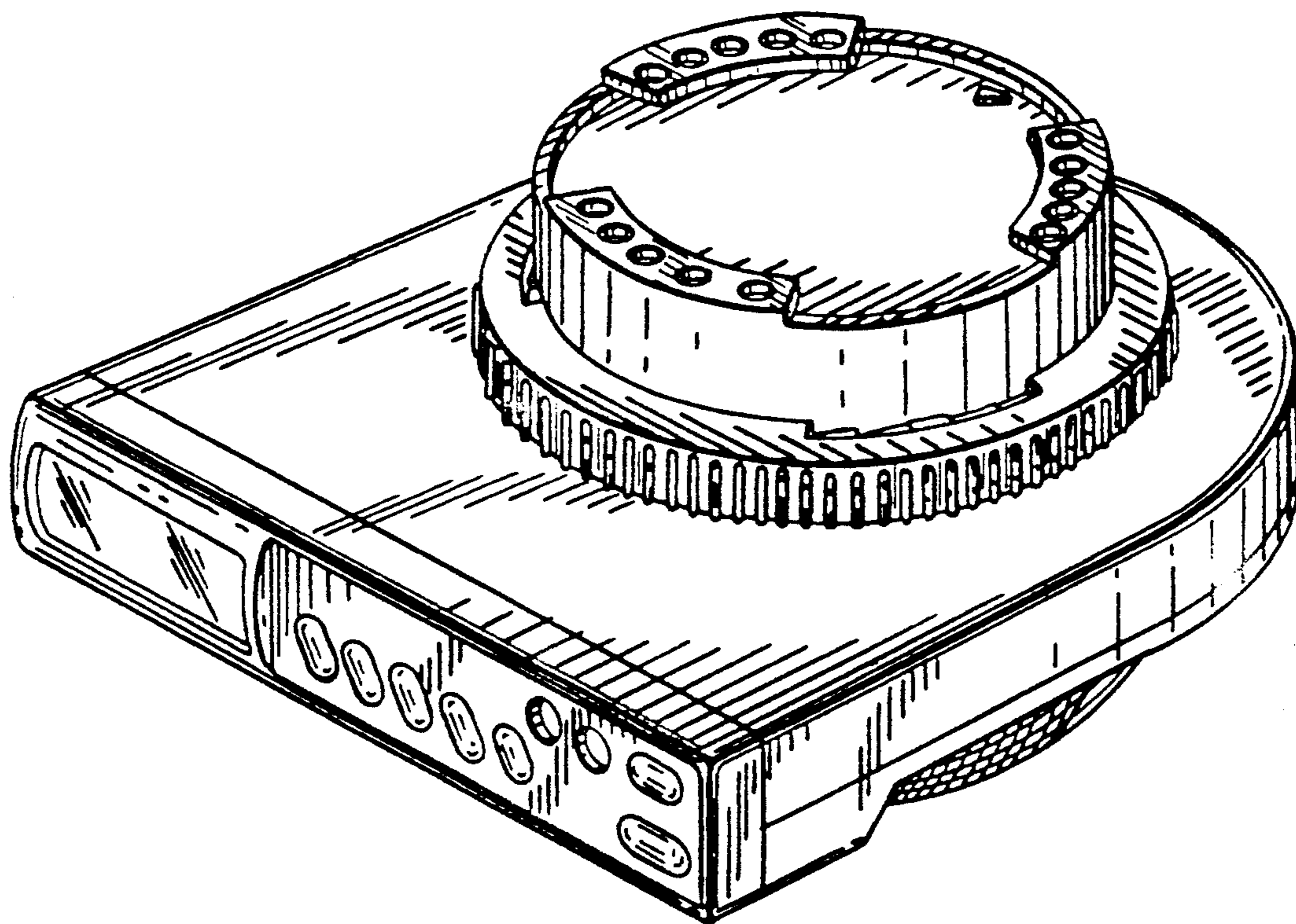
## [57] CLAIM

The ornamental design for a kitchen clock radio, as shown.

## DESCRIPTION

FIG. 1 is a top, front, and right-side perspective view of a kitchen clock radio showing my new design; FIG. 2 is a front elevational view thereof; FIG. 3 is a rear elevational view thereof; FIG. 4 is a left-side elevational view thereof; FIG. 5 is a right-side elevational view thereof; FIG. 6 is a top plan view thereof; and, FIG. 7 is a bottom plan view thereof.





*FIG. 1*

FIG. 2

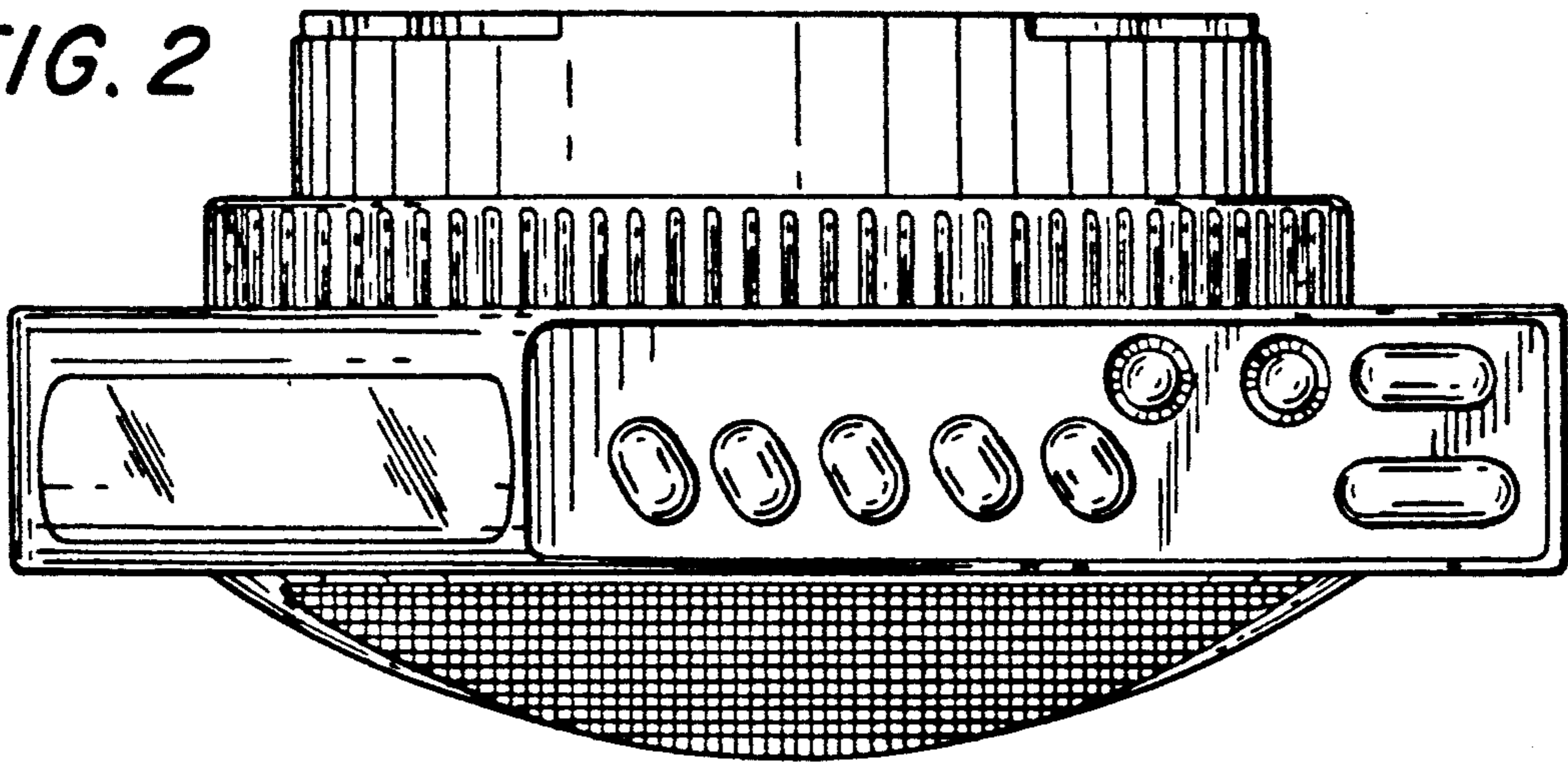


FIG. 6

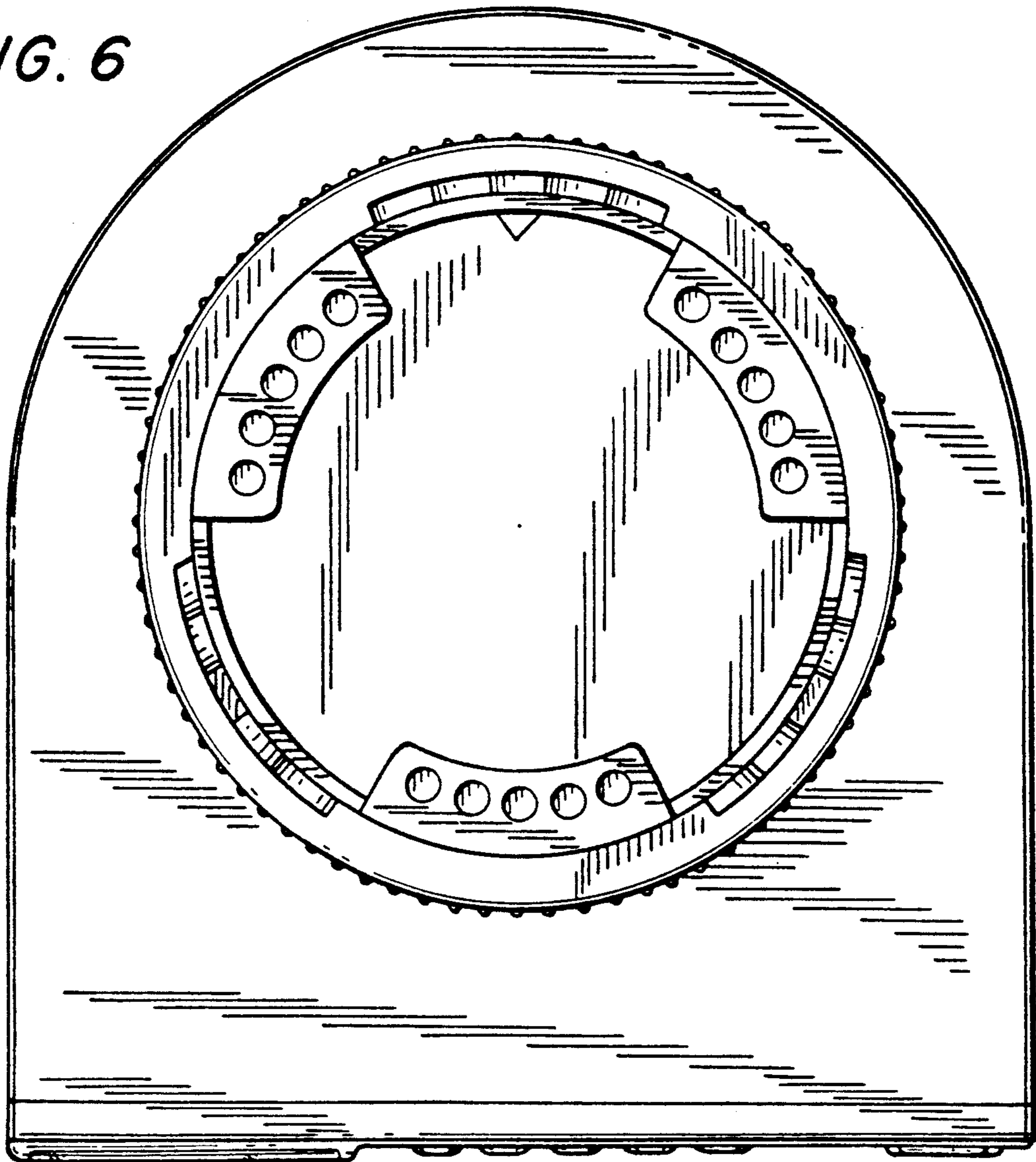


FIG. 3

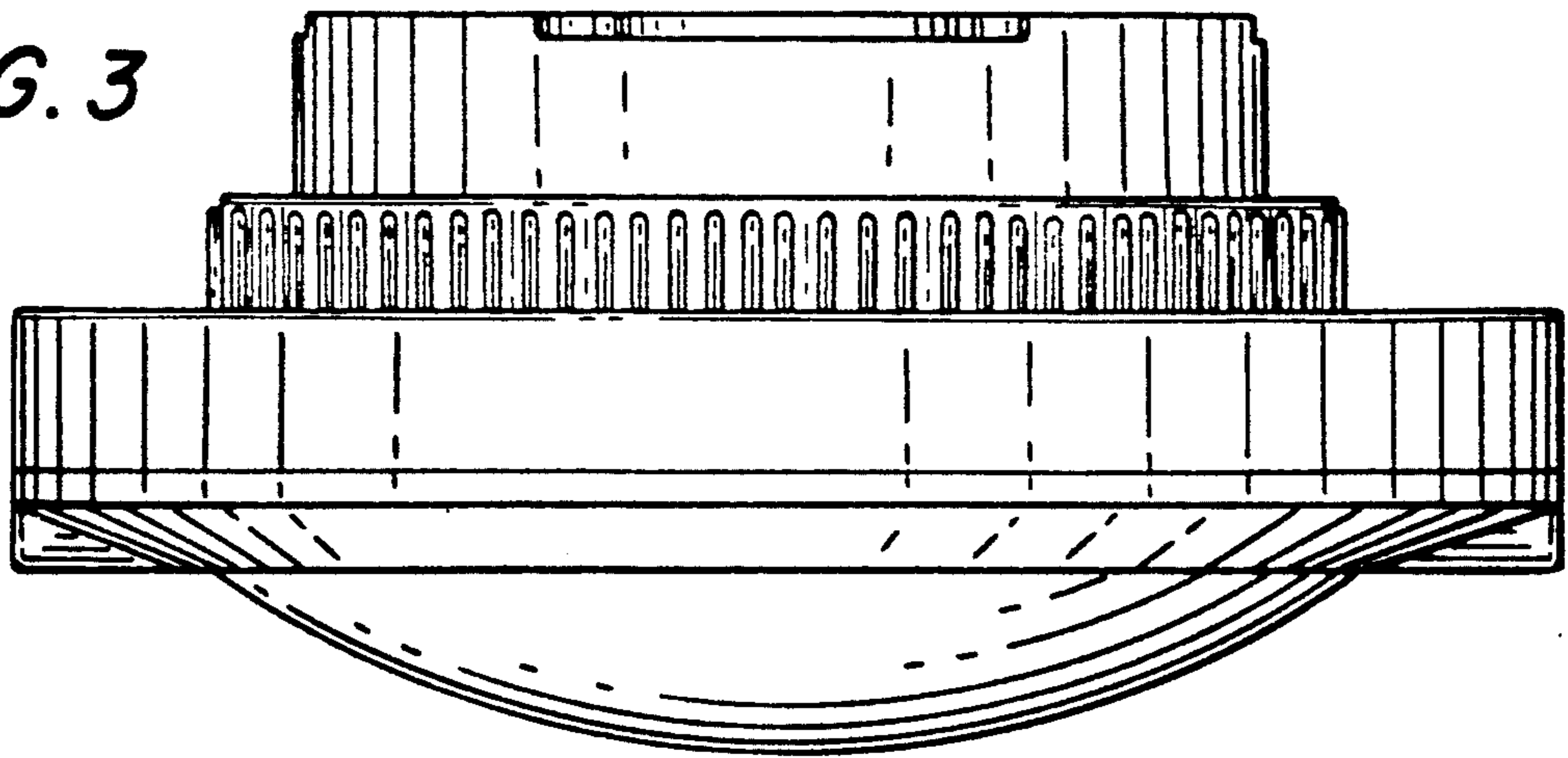
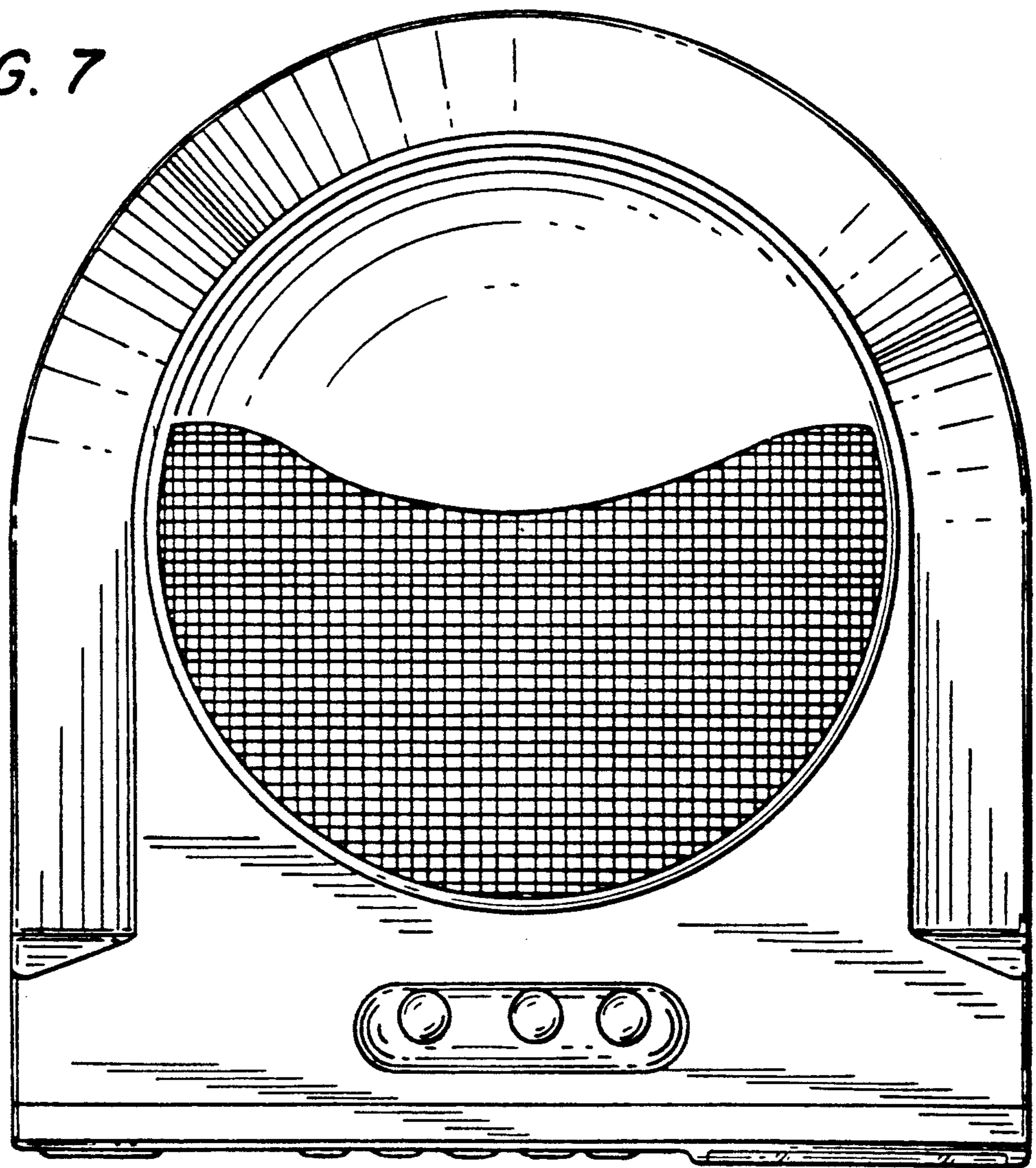
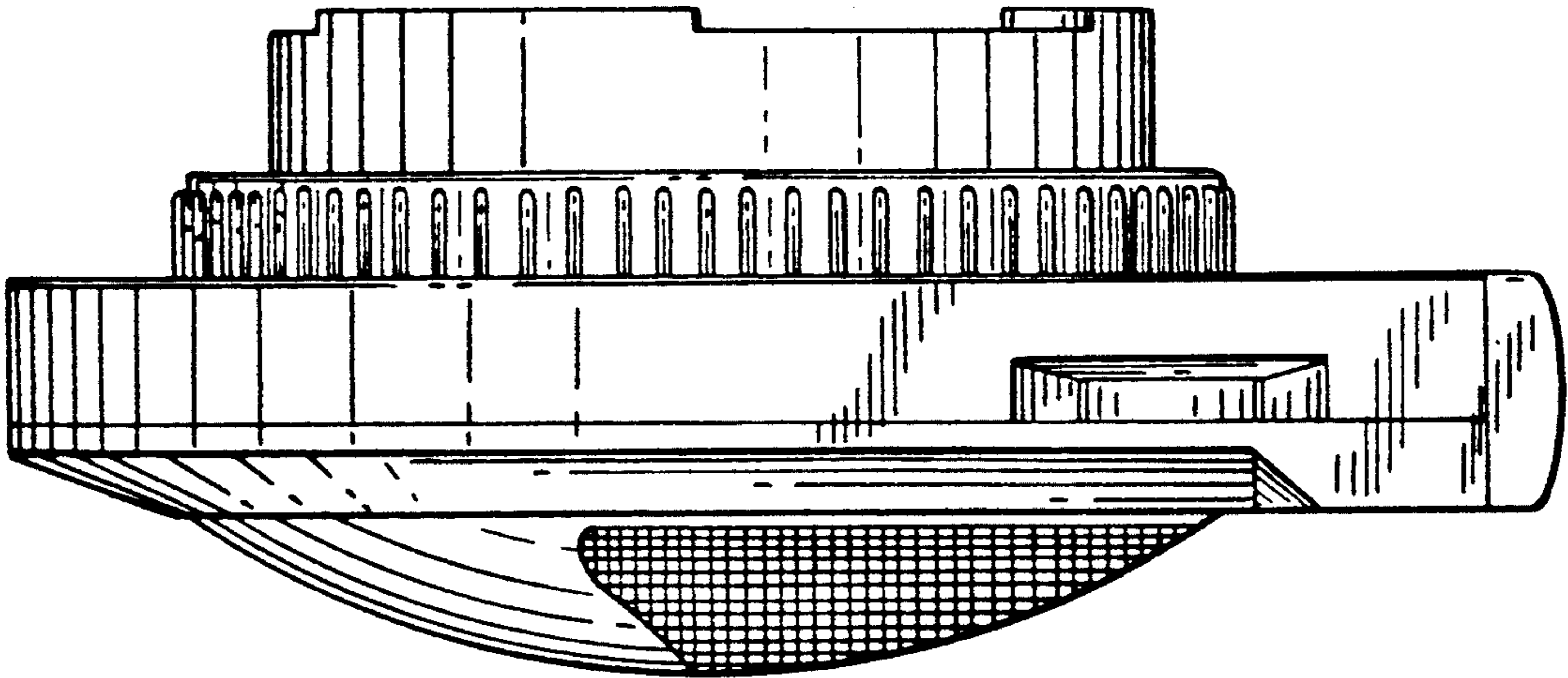


FIG. 7



*FIG. 4*



*FIG. 5*

