



US00D345354S

United States Patent [19]

[11] Patent Number: **Des. 345,354**

Ichimura

[45] Date of Patent: **** Mar. 22, 1994**

[54] AIR BAND TRANSCEIVER

D. 310,371 9/1990 Scott et al. D14/258

[76] Inventor: **Masato Ichimura**, 3-2-24 Nishi Aoki, Kawaguchi City, Saitama 332, Japan

Primary Examiner—Theodore M. Shooman
Attorney, Agent, or Firm—Frishauf, Holtz, Goodman & Woodward

[**] Term: **14 Years**

[57] CLAIM

[21] Appl. No.: **891,816**

The ornamental design for air band transceiver, as shown and described.

[22] Filed: **Jun. 1, 1992**

[52] U.S. Cl. **D14/137**

DESCRIPTION

[58] Field of Search 455/73, 89-90;
D14/124, 137, 157, 257, 258, 299

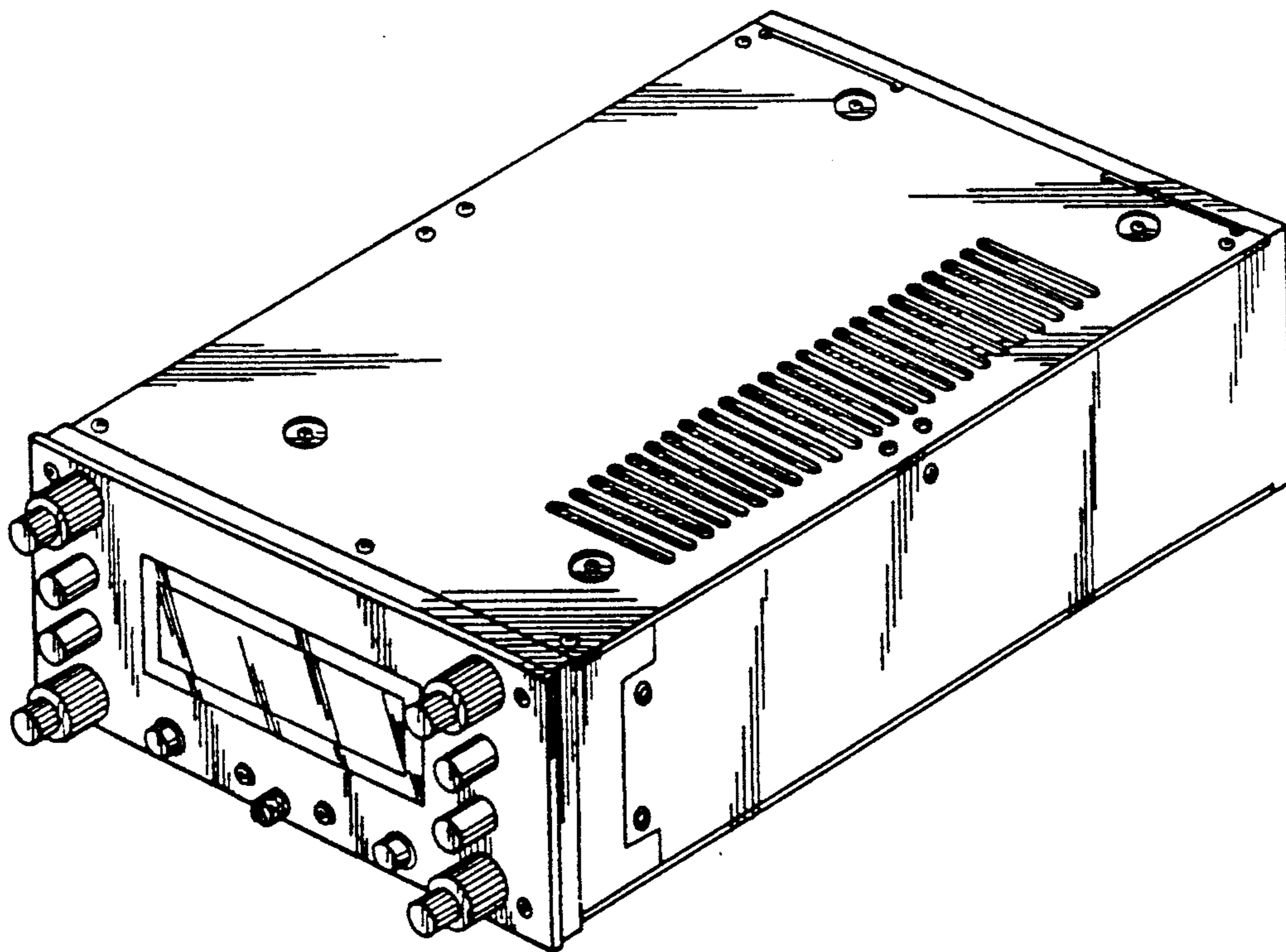
FIG. 1 is a perspective view of an air band transceiver showing my new design;

[56] References Cited

U.S. PATENT DOCUMENTS

- D. 249,687 9/1978 Imazeki D14/137
- D. 250,815 1/1979 Yanitz D14/137
- D. 284,081 6/1986 Taylor D14/257

- FIG. 2 is a left-side elevational view thereof;
- FIG. 3 is a right-side elevational view thereof;
- FIG. 4 is a front view thereof;
- FIG. 5 is a rear view thereof;
- FIG. 6 is a top plan view thereof; and,
- FIG. 7 is a bottom plan view thereof.



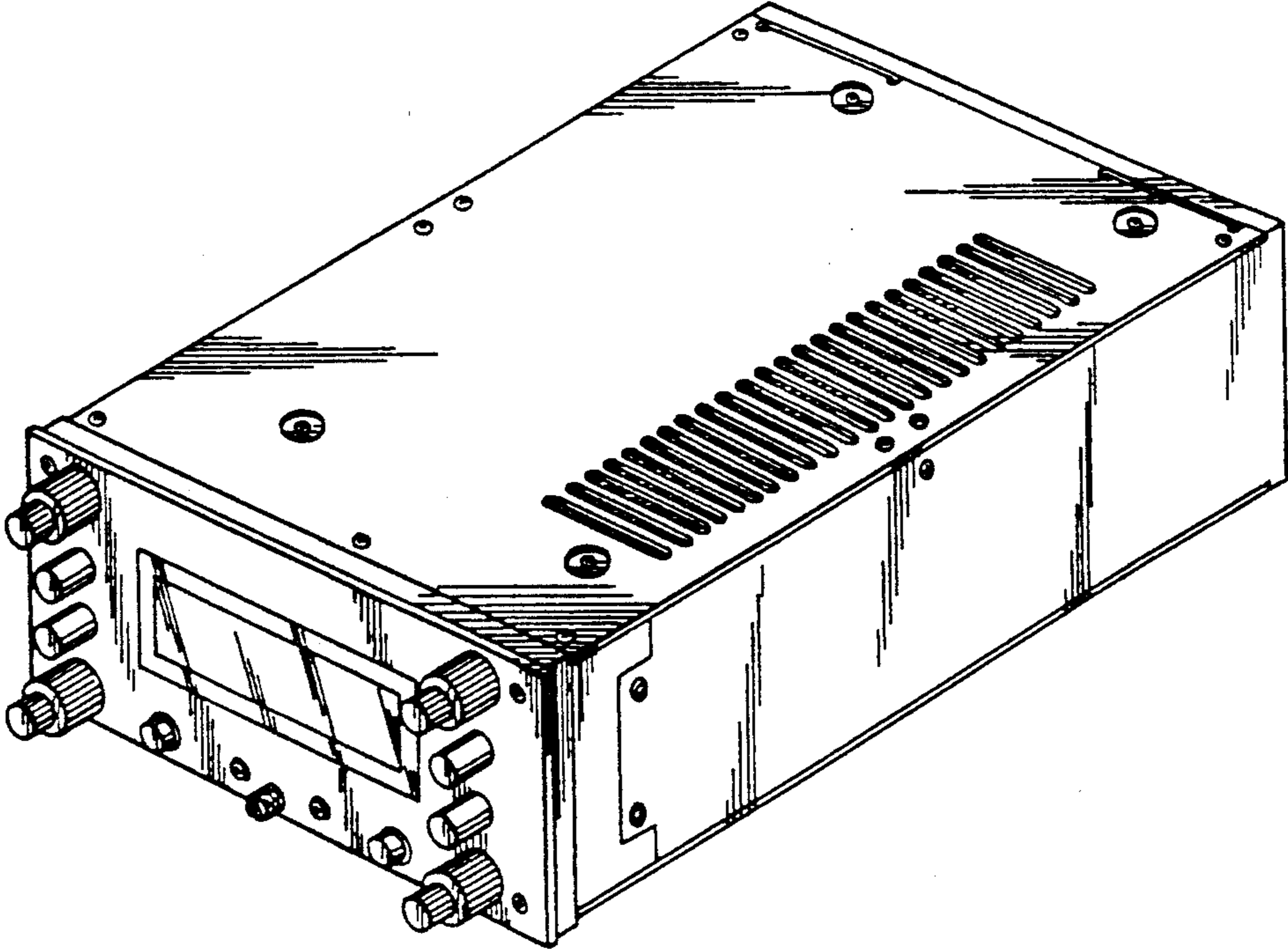


Fig. 1

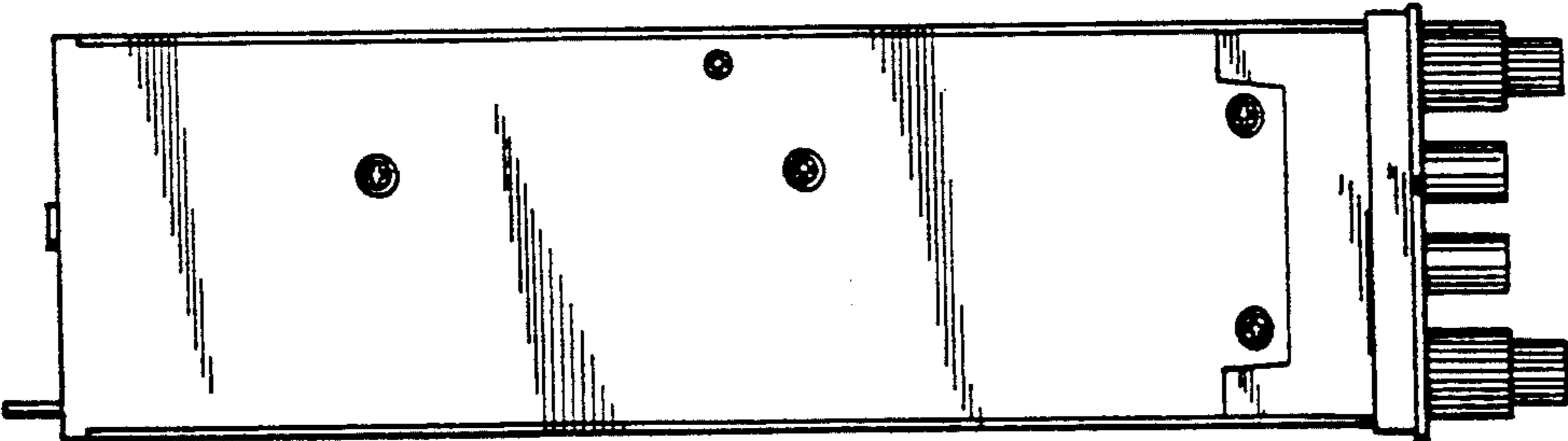


Fig. 2

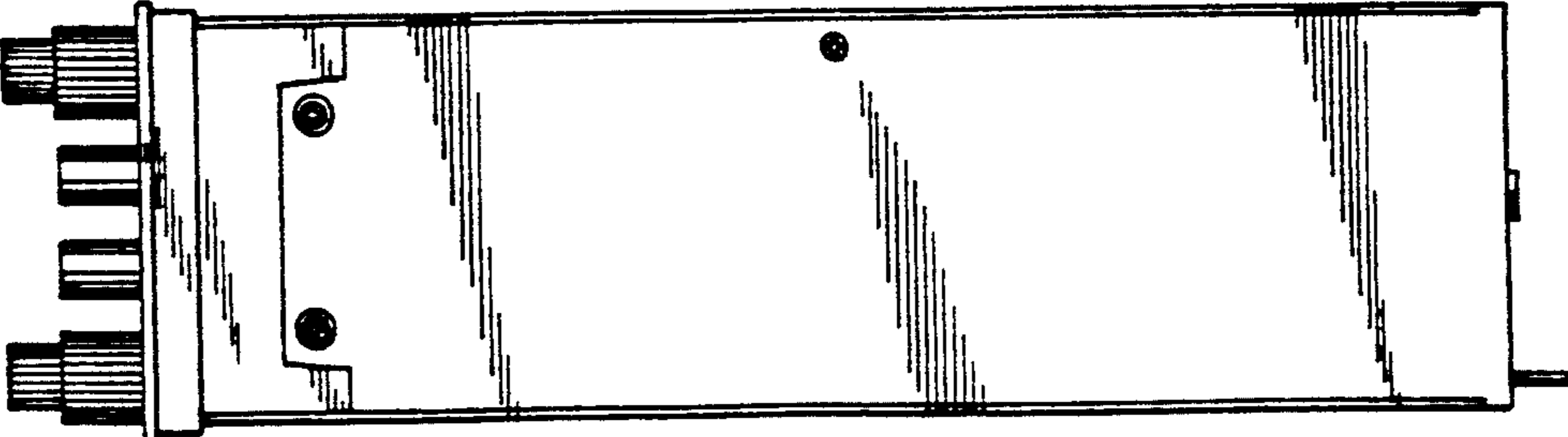


Fig. 3

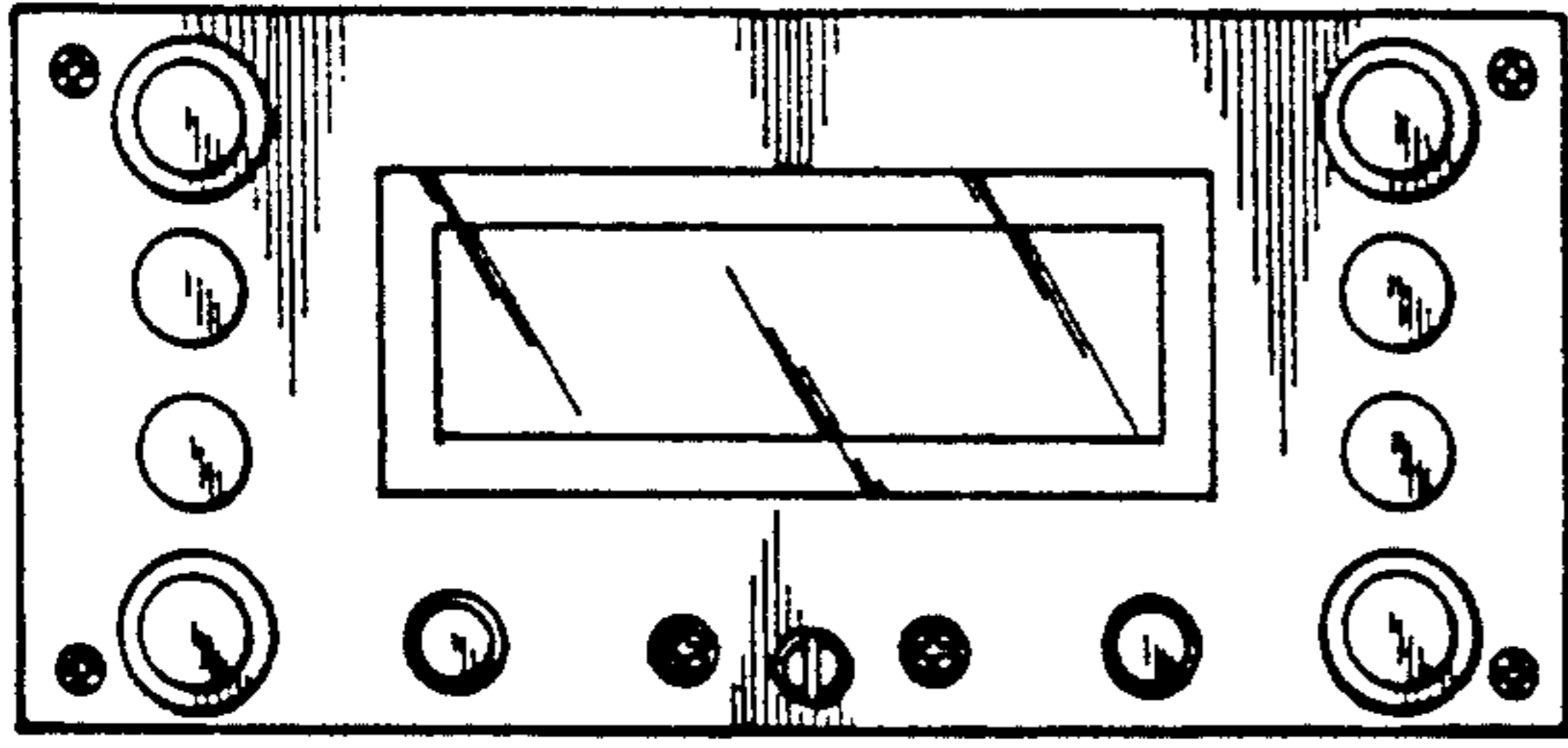


Fig. 4

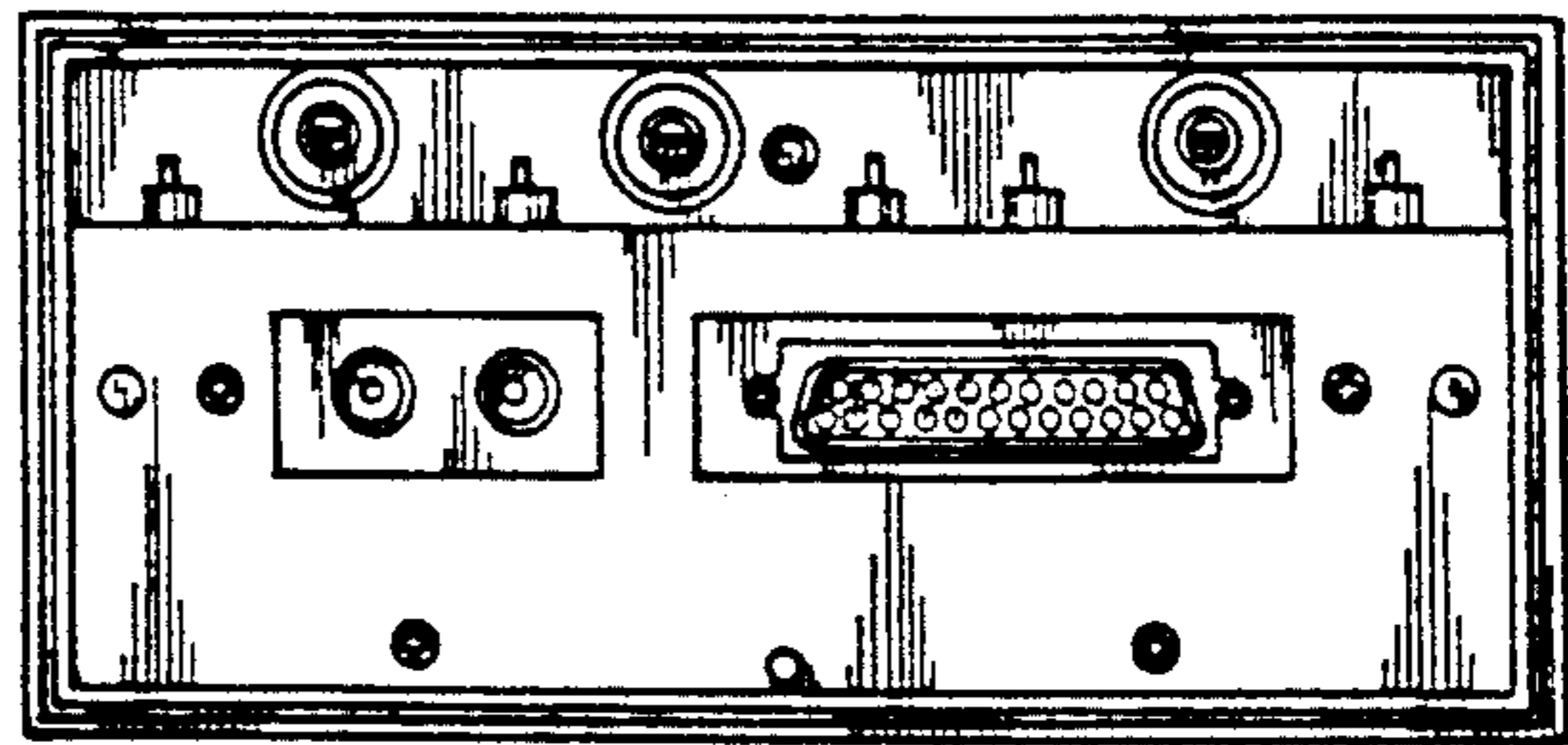


Fig. 5

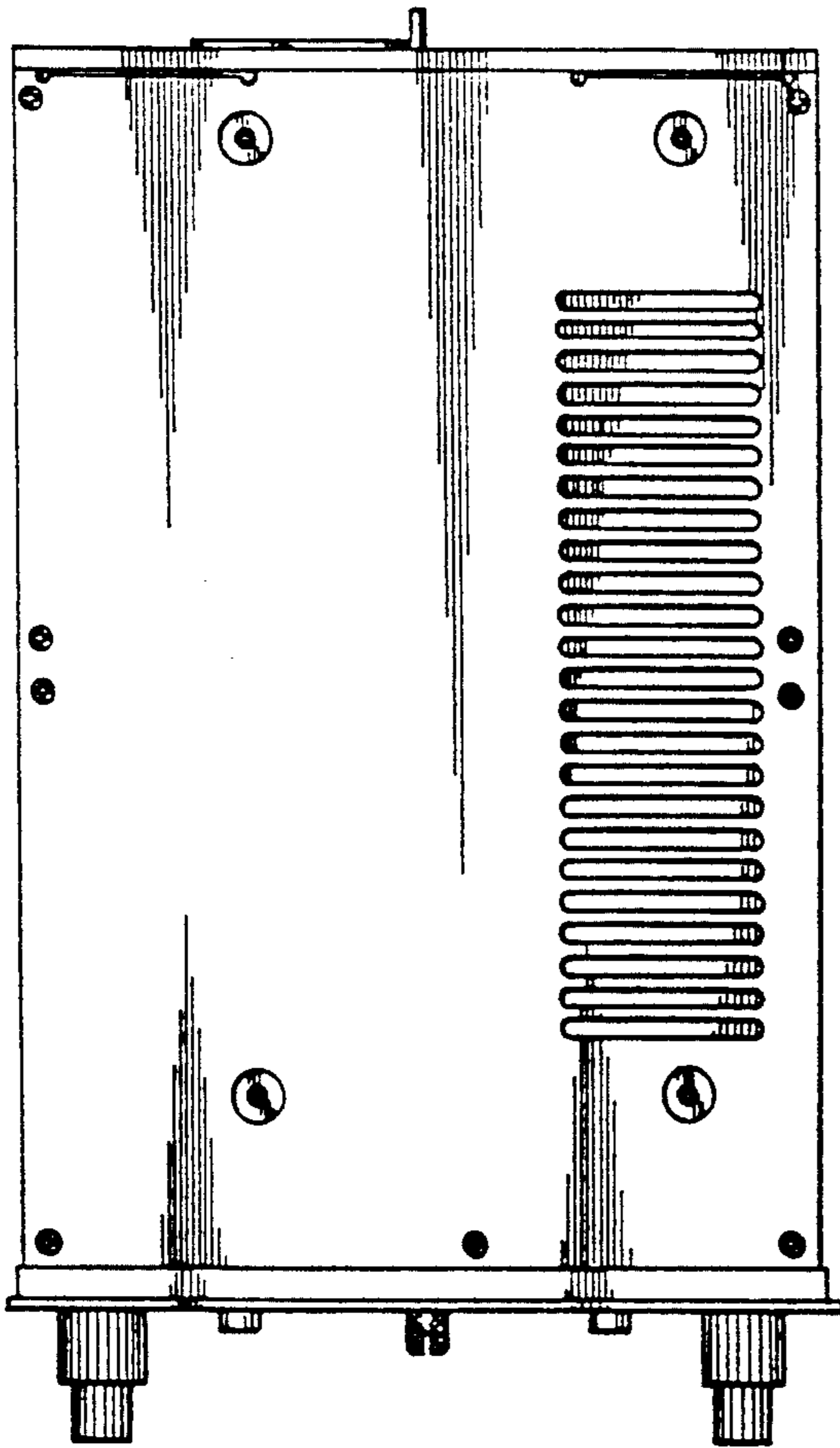


Fig. 6

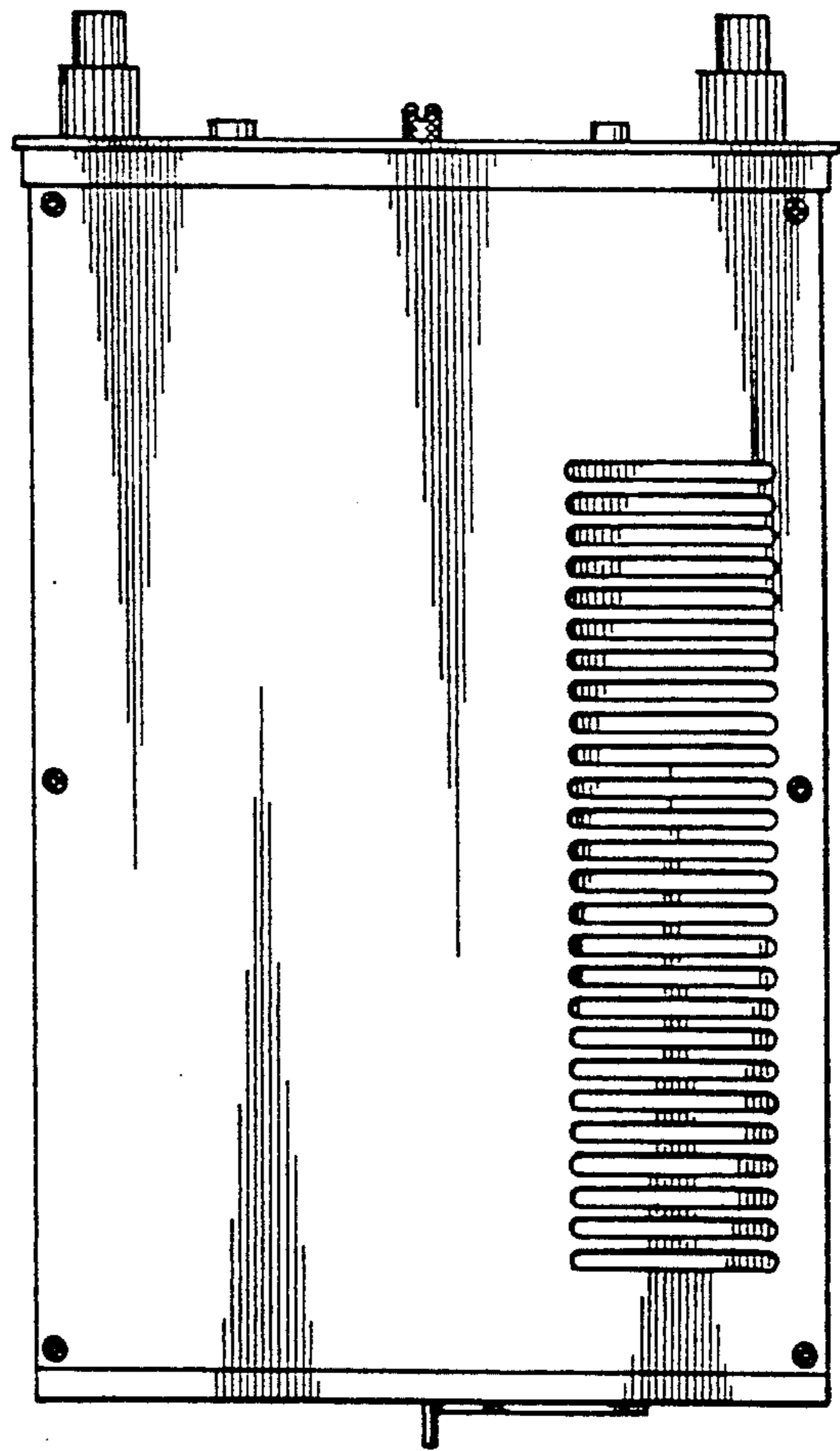


Fig. 7