



US00D345350S

# United States Patent [19]

[11] Patent Number: **Des. 345,350**

Germany et al.

[45] Date of Patent: **\*\* Mar. 22, 1994**

[54] **DISPLAY MONITOR**

[75] Inventors: **Cheryl D. Germany, Kirkland, Wash.; James D. Morrow, Oak Park, Ill.**

[73] Assignee: **Abbott Laboratories, Abbott Park, Ill.**

[\*\*] Term: **14 Years**

[21] Appl. No.: **579**

[22] Filed: **Oct. 16, 1992**

[52] U.S. Cl. .... **D14/113**

[58] Field of Search ..... **340/700, 706; 358/249, 358/254, 85; 361/390-395; 353/18; D14/100, 101, 106, 113, 124-126**

D. 280,512	9/1985	Hall	.....	D14/106
D. 285,687	9/1986	Manock et al.	.....	D14/106
D. 331,748	12/1992	Kawai	.....	D14/106
3,344,709	10/1967	Taylor	.....	353/18
4,985,911	1/1991	Emmons et al.	.....	358/85 X

*Primary Examiner*—Susan J. Lucas  
*Assistant Examiner*—Freda S. Nunn  
*Attorney, Agent, or Firm*—Harry G. Thibault; Robert E. Wexler

[57] **CLAIM**

The ornamental design for an display monitor, as shown and described.

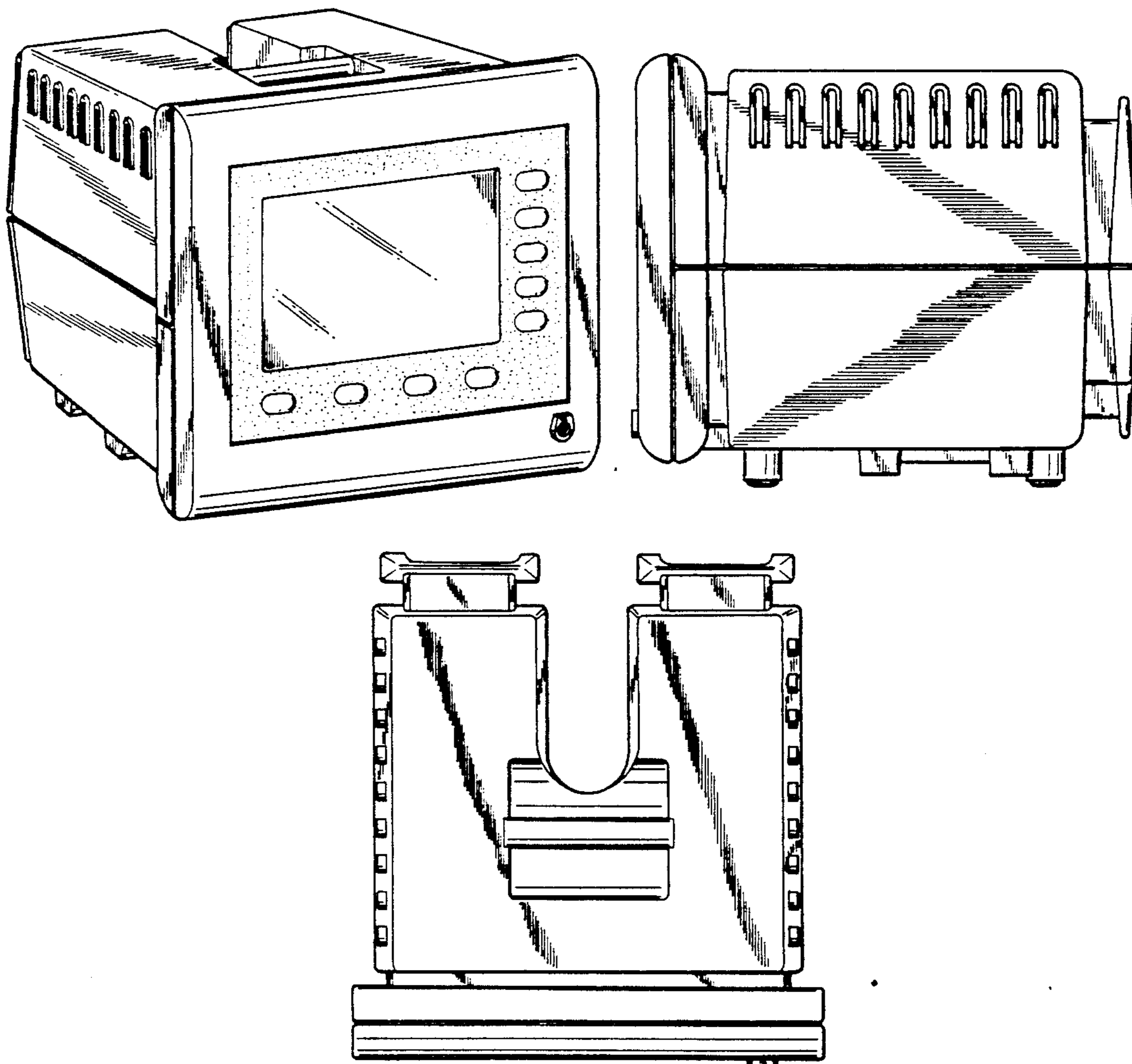
**DESCRIPTION**

FIG. 1 is a perspective view of a display monitor showing our new design;  
FIG. 2 is a front elevational view;  
FIG. 3 is a left-side elevational view;  
FIG. 4 is a rear elevational view;  
FIG. 5 is a right-side elevational view;  
FIG. 6 is a top plan view; and,  
FIG. 7 is a bottom plan view.

[56] **References Cited**

**U.S. PATENT DOCUMENTS**

D. 235,654	7/1975	Crabbe et al.	.....	D14/106
D. 262,705	1/1982	Goodin et al.	.....	D14/106
D. 274,059	5/1984	Hall et al.	.....	D14/106 X



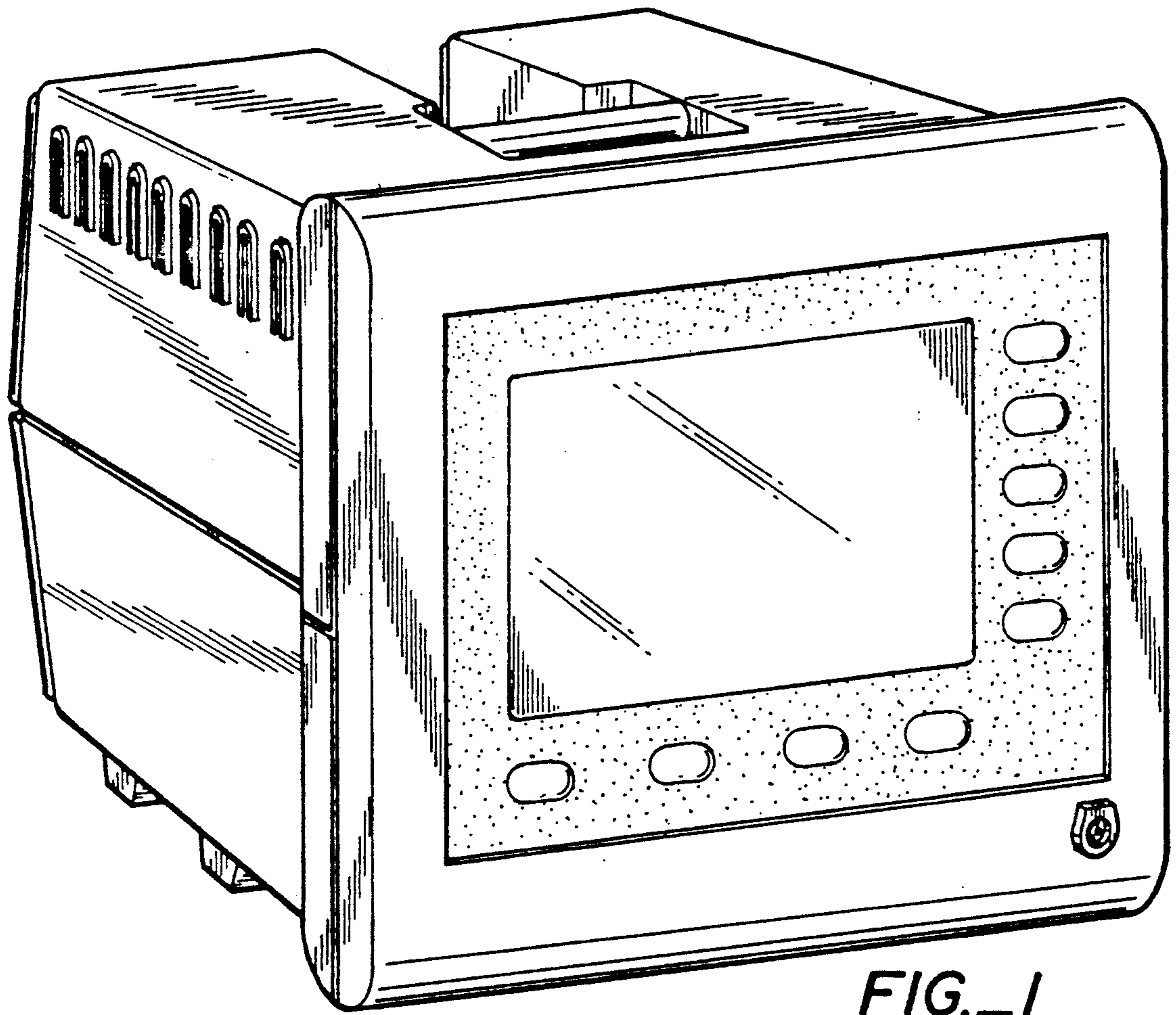


FIG. 1

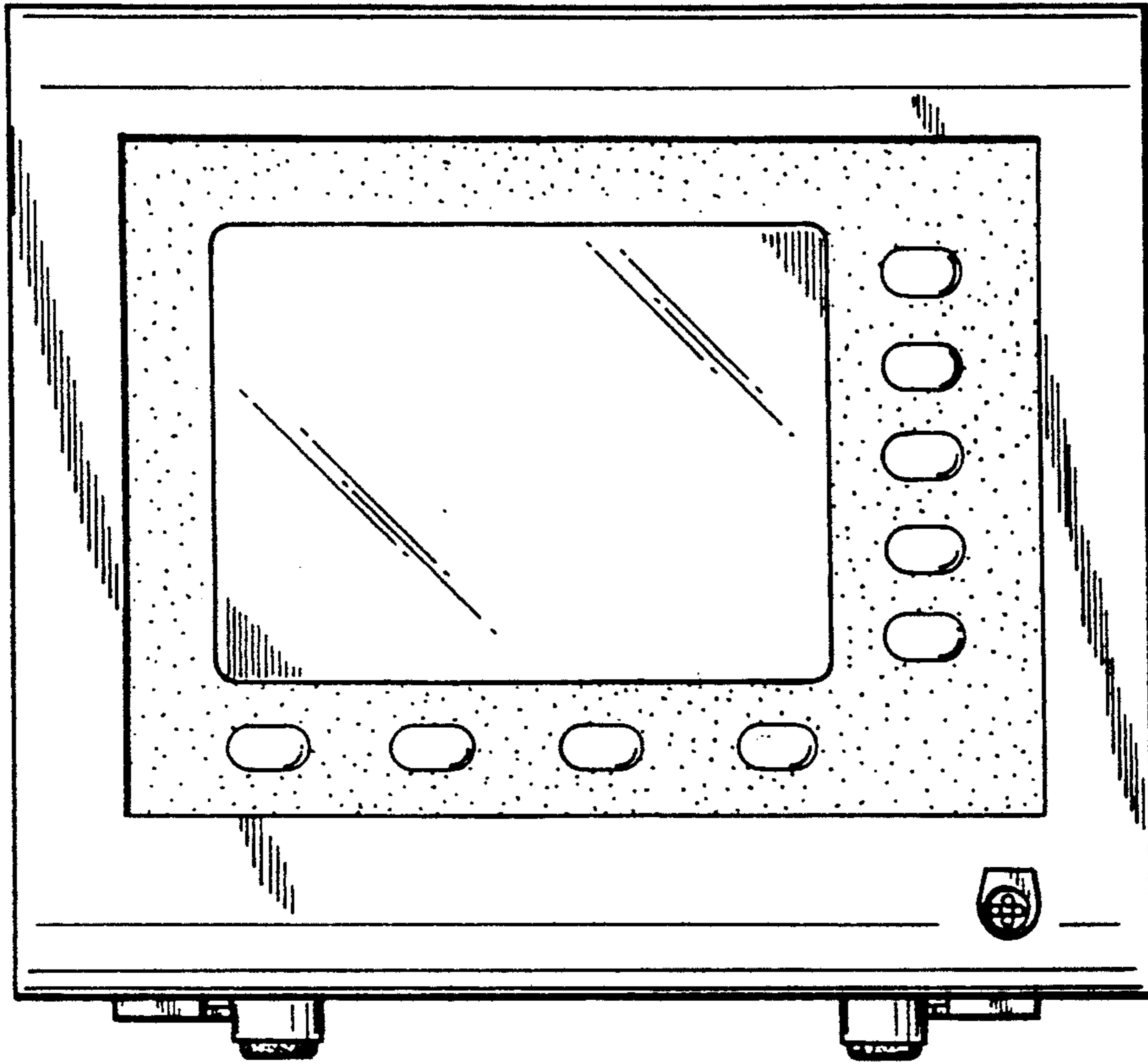


FIG. 2

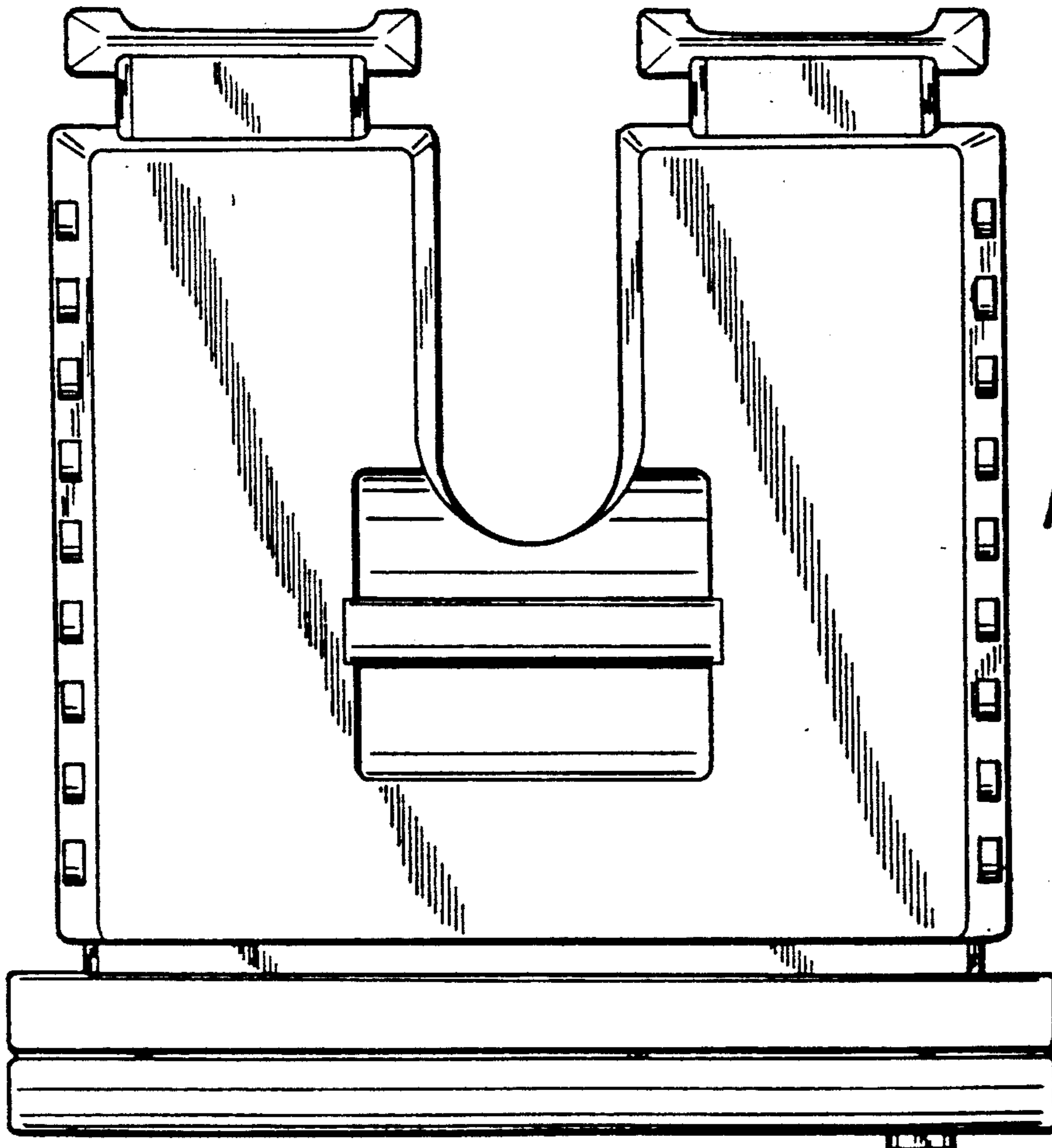


FIG. 6

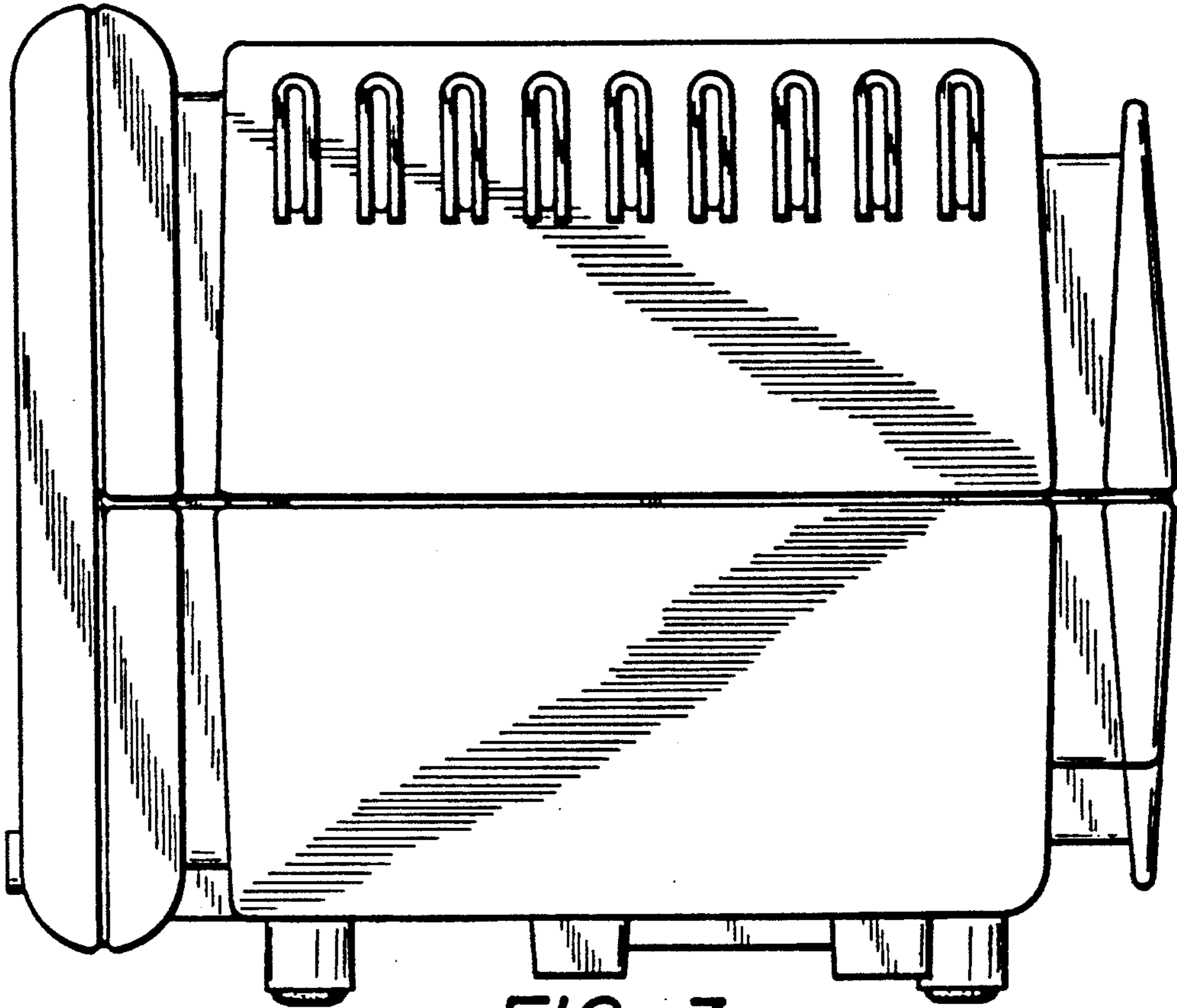


FIG. 3

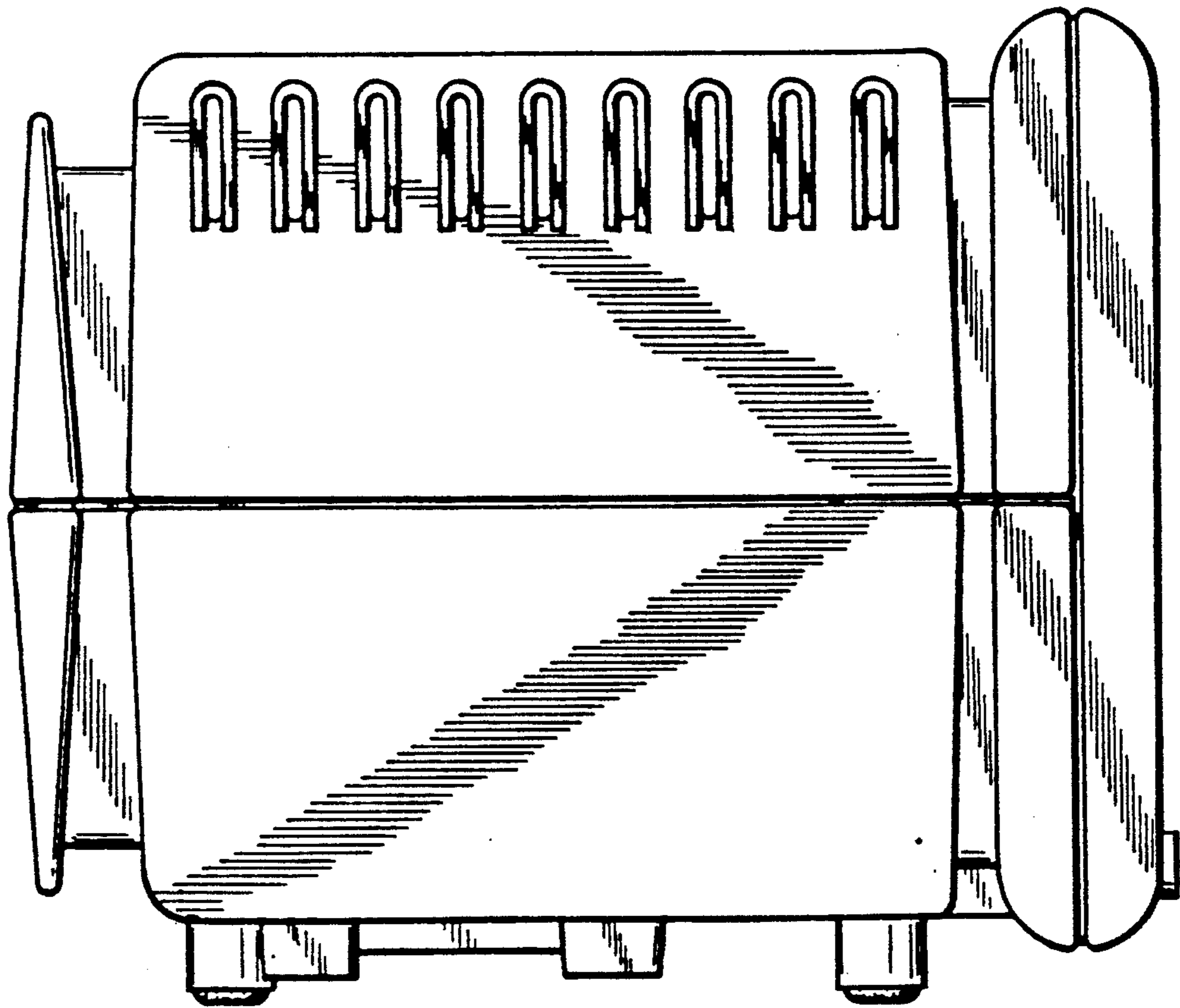


FIG. 5

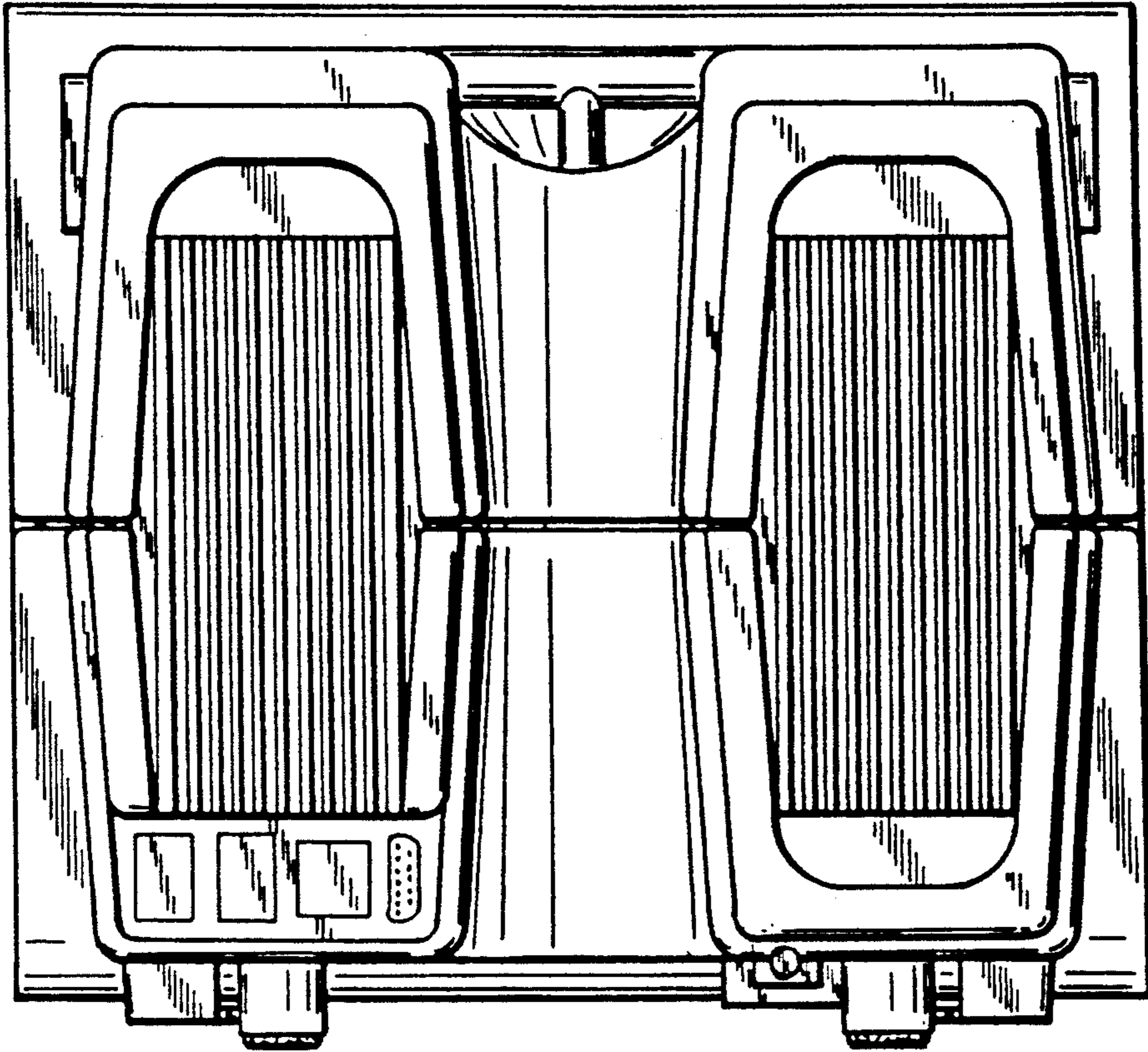


FIG. 4

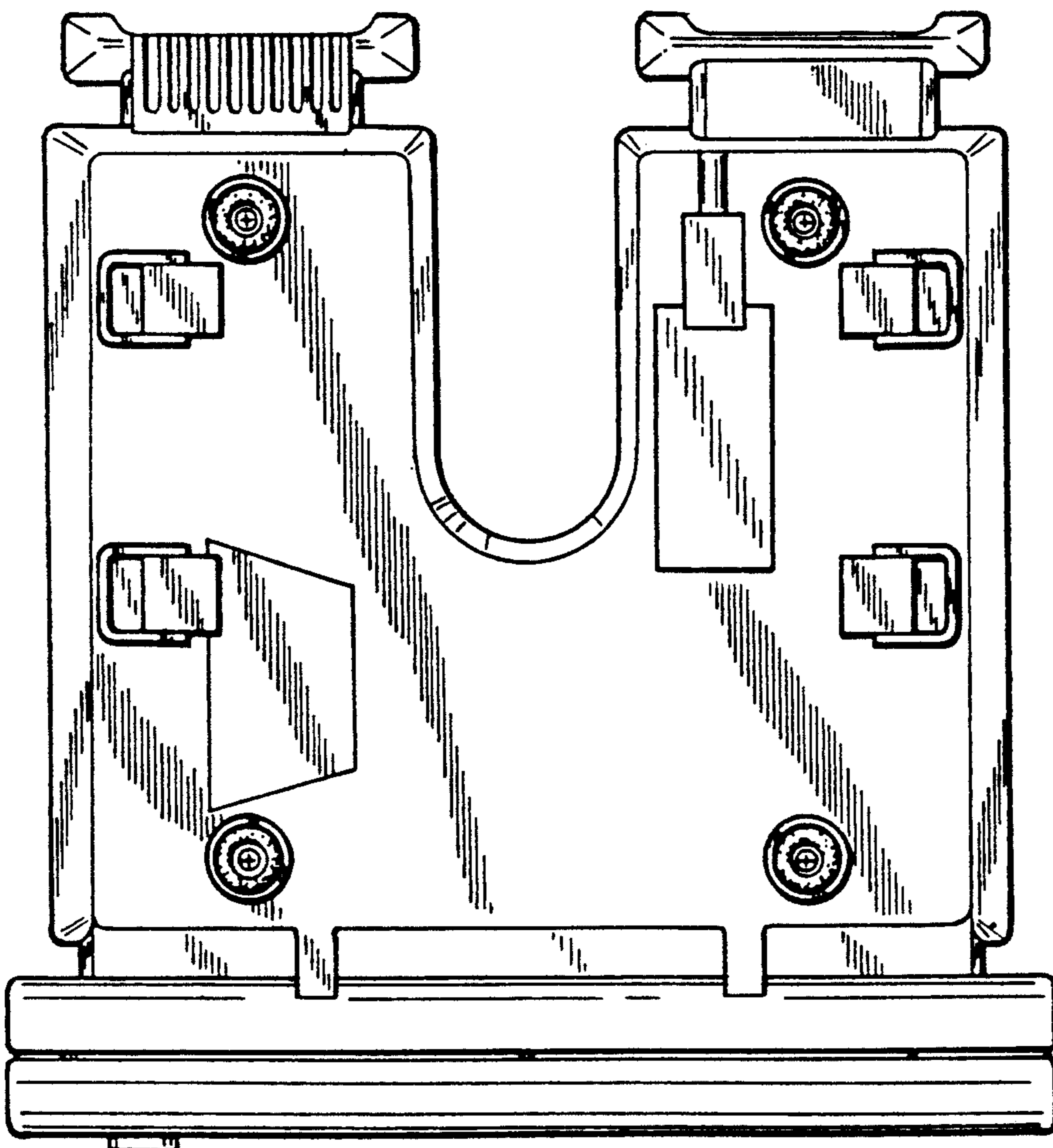


FIG. 7