



US00D345348S

United States Patent [19]

[11] Patent Number: **Des. 345,348**

Yurkonis et al.

[45] Date of Patent: **** Mar. 22, 1994**

[54] **MONITOR HOUSING**

D. 314,375 2/1991 Sacherman et al. D14/113
D. 321,344 11/1991 Steinbugler et al. D14/113

[75] Inventors: **Philip Yurkonis, Campbell; Craig Leverault, Mountain View; Paul Montgomery; Herbert Pfeifer, both of San Francisco, all of Calif.**

Primary Examiner—Wallace R. Burke
Assistant Examiner—Freda S. Nunn
Attorney, Agent, or Firm—Blakely Sokoloff Taylor & Zafman

[73] Assignee: **Sun Microsystems, Inc., Mountain View, Calif.**

[57] **CLAIM**

[**] Term: **14 Years**

The ornamental design for a monitor housing, as shown and described.

[21] Appl. No.: **885,565**

DESCRIPTION

[22] Filed: **May 19, 1992**

[52] U.S. Cl. **D14/113**

[58] Field of Search 340/700, 706; 358/249, 358/254, 255; 248/917-924; D14/100, 101, 106, 113, 115, 124-127

FIG. 1 is a top front and right side perspective view of a monitor housing showing our new design; FIG. 2 is a front elevational view thereof; FIG. 3 is a rear elevational view thereof; FIG. 4 is a right side elevational view thereof, wherein a control panel cover plate has been rotated downward; FIG. 5 is a left side elevational view thereof; FIG. 6 is a top plan view thereof; FIG. 7 is a bottom plan view thereof; and, FIG. 8 is a front elevational view thereof, wherein the control panel cover plate has been rotated downward.

[56] **References Cited**

U.S. PATENT DOCUMENTS

D. 304,719 11/1989 Leung D14/113
D. 310,067 8/1990 Koprowski et al. D14/113 X

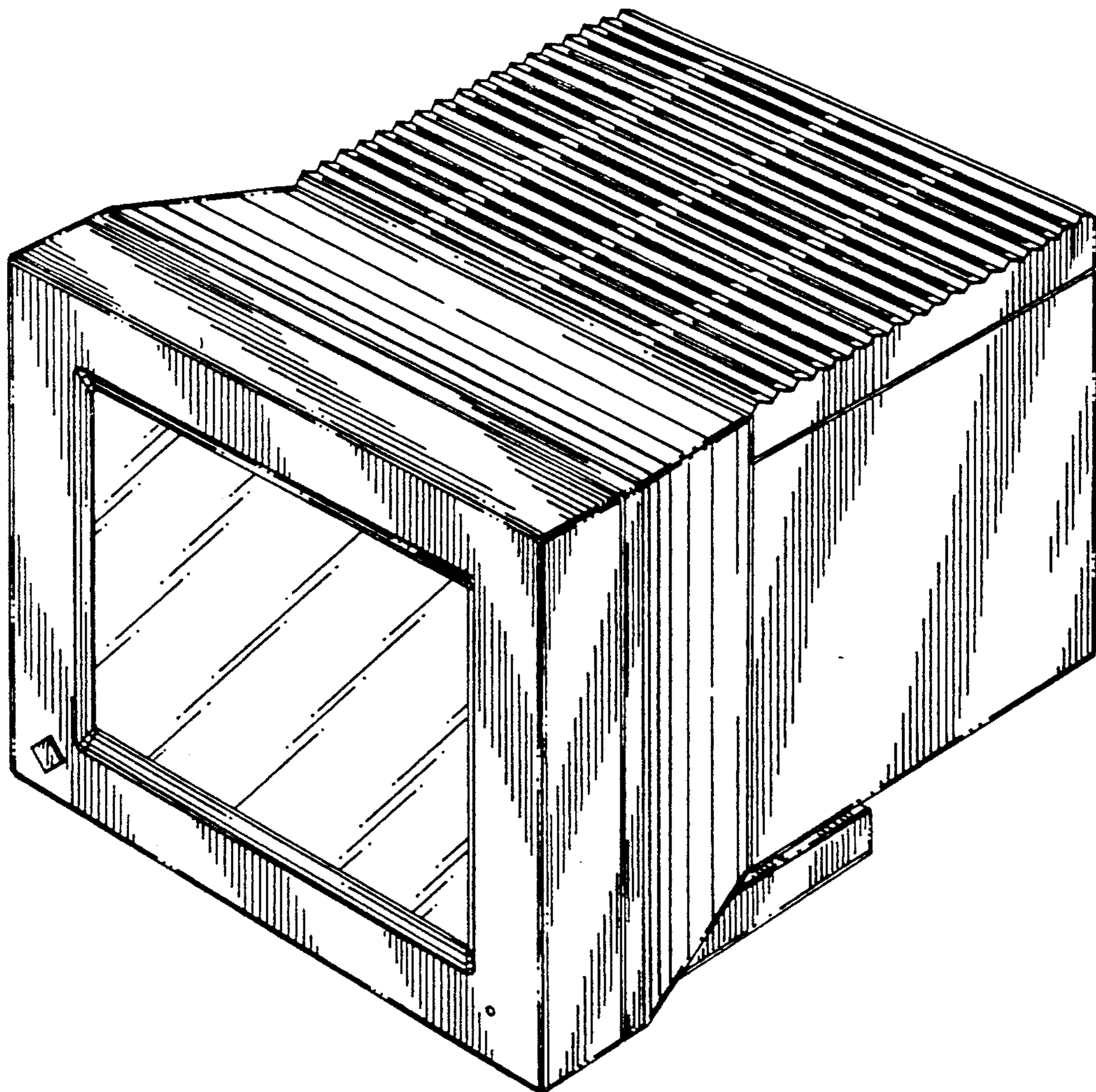


FIG 1

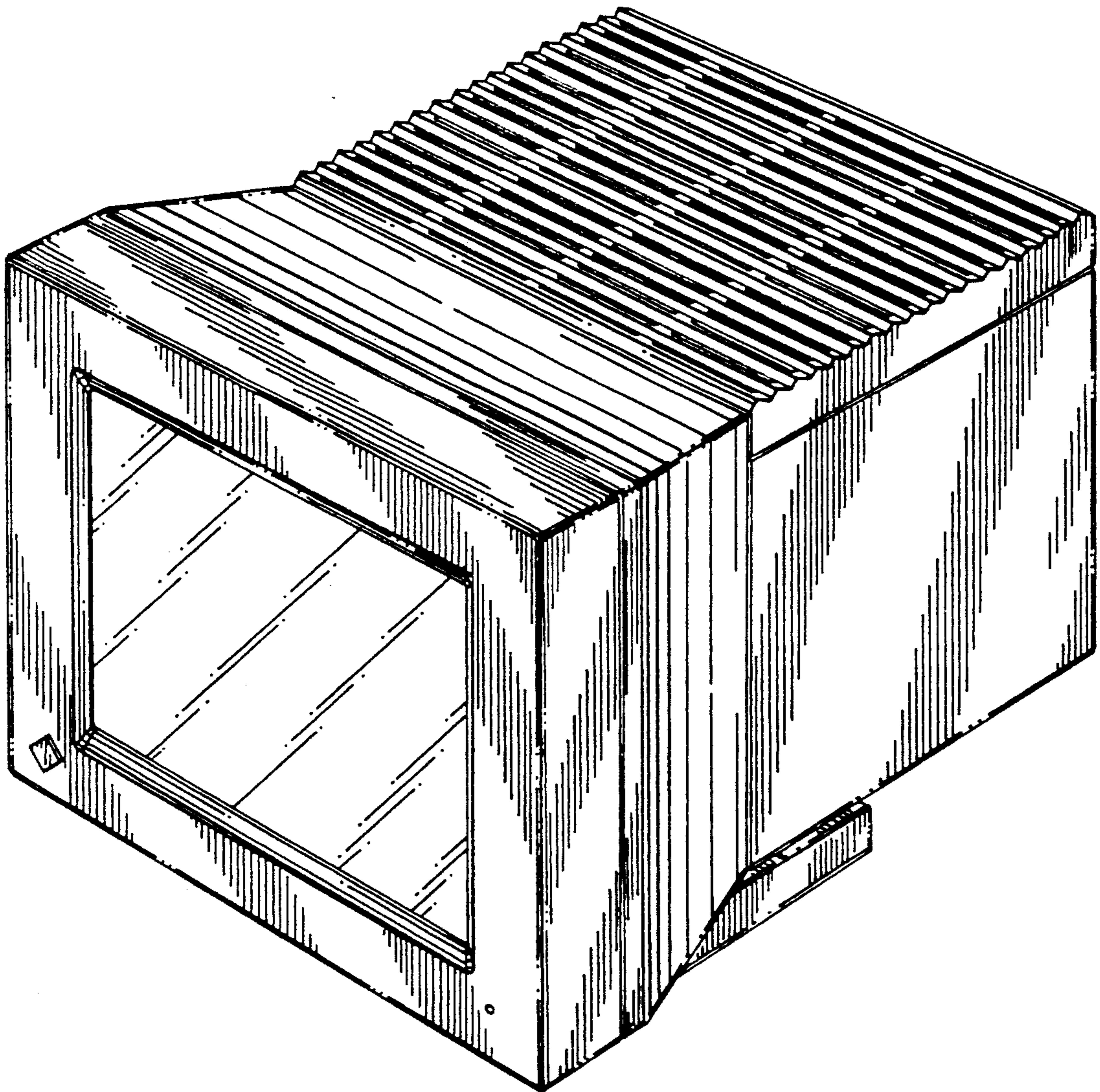


FIG 2

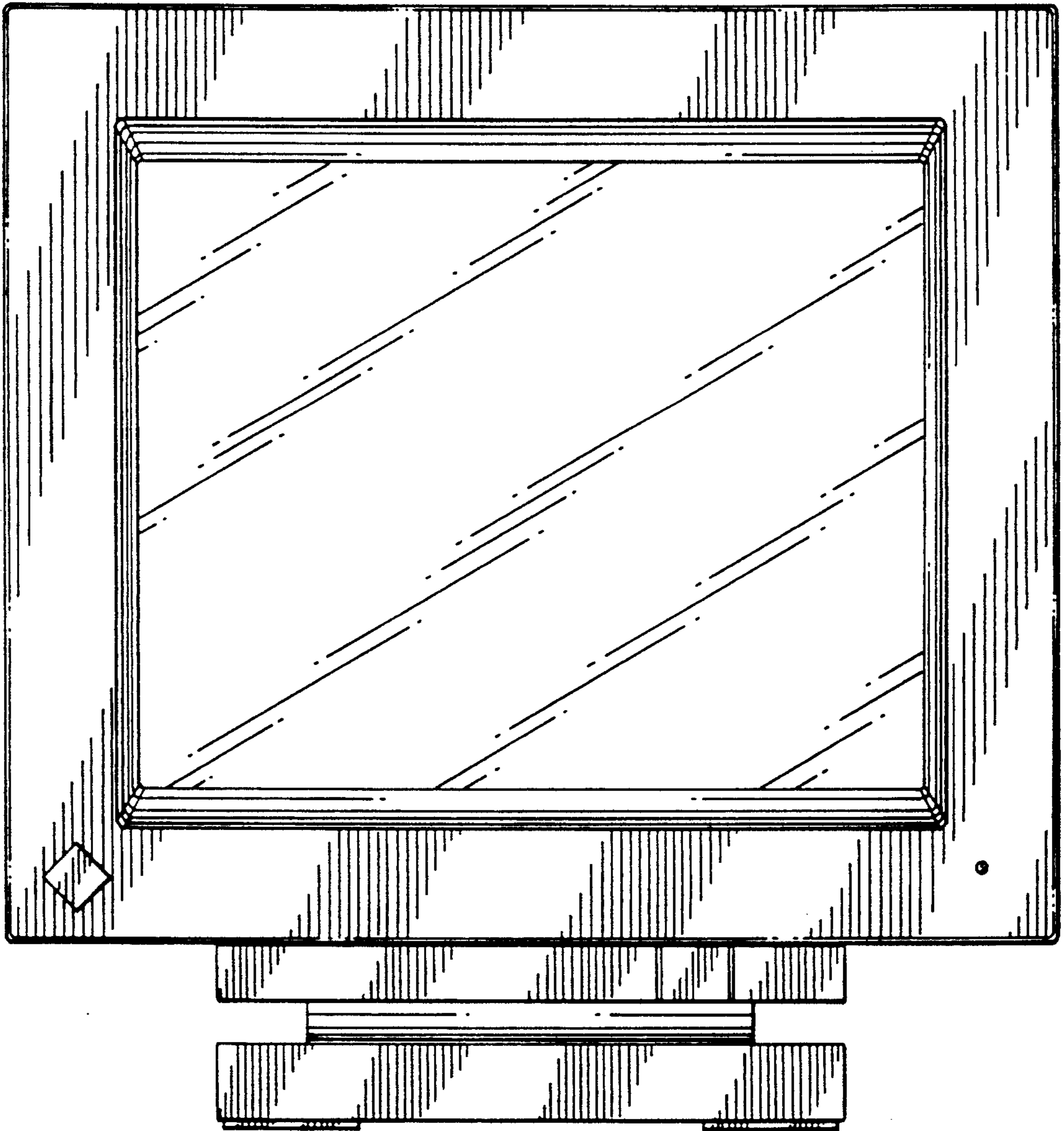
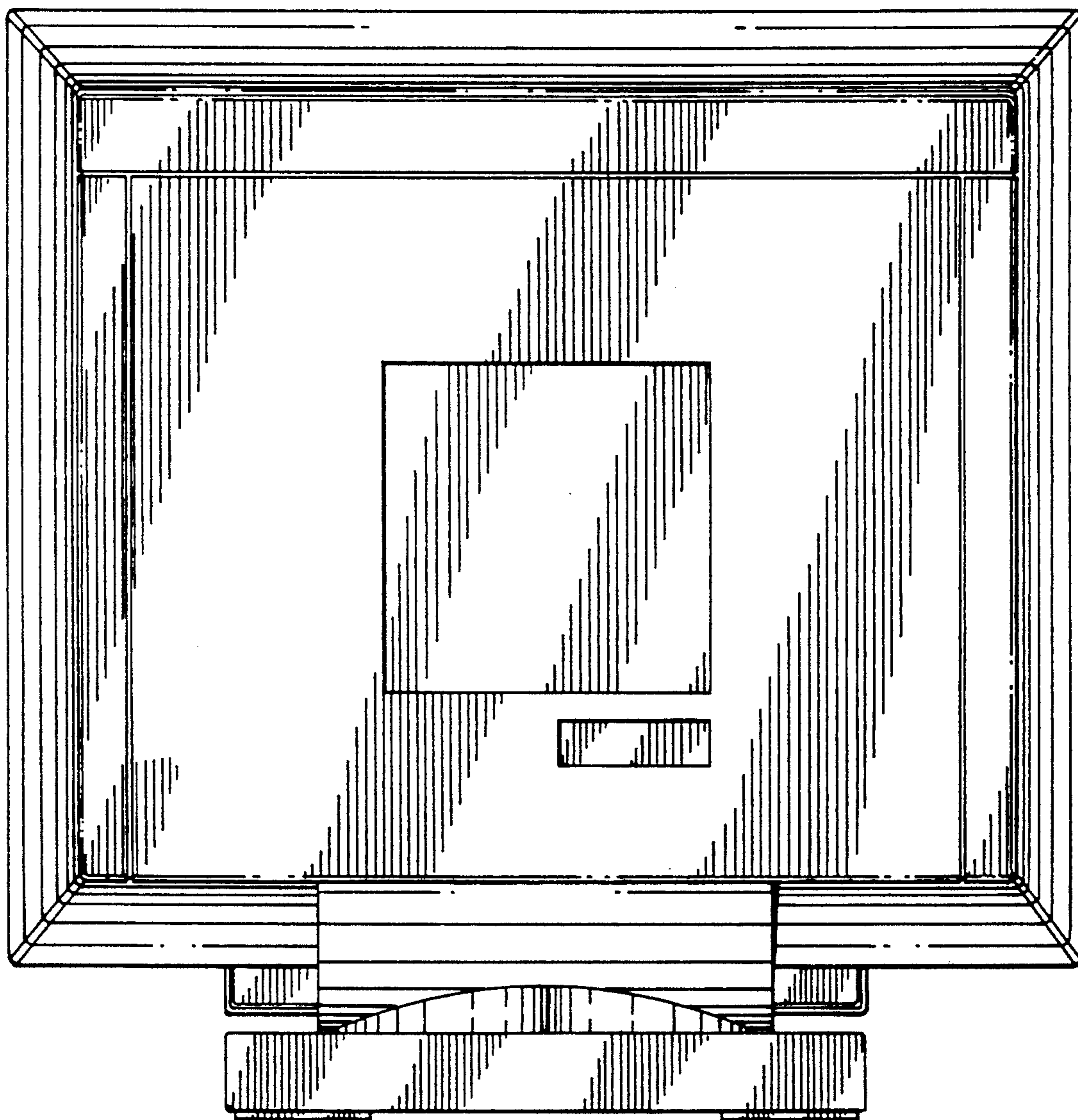


FIG 3



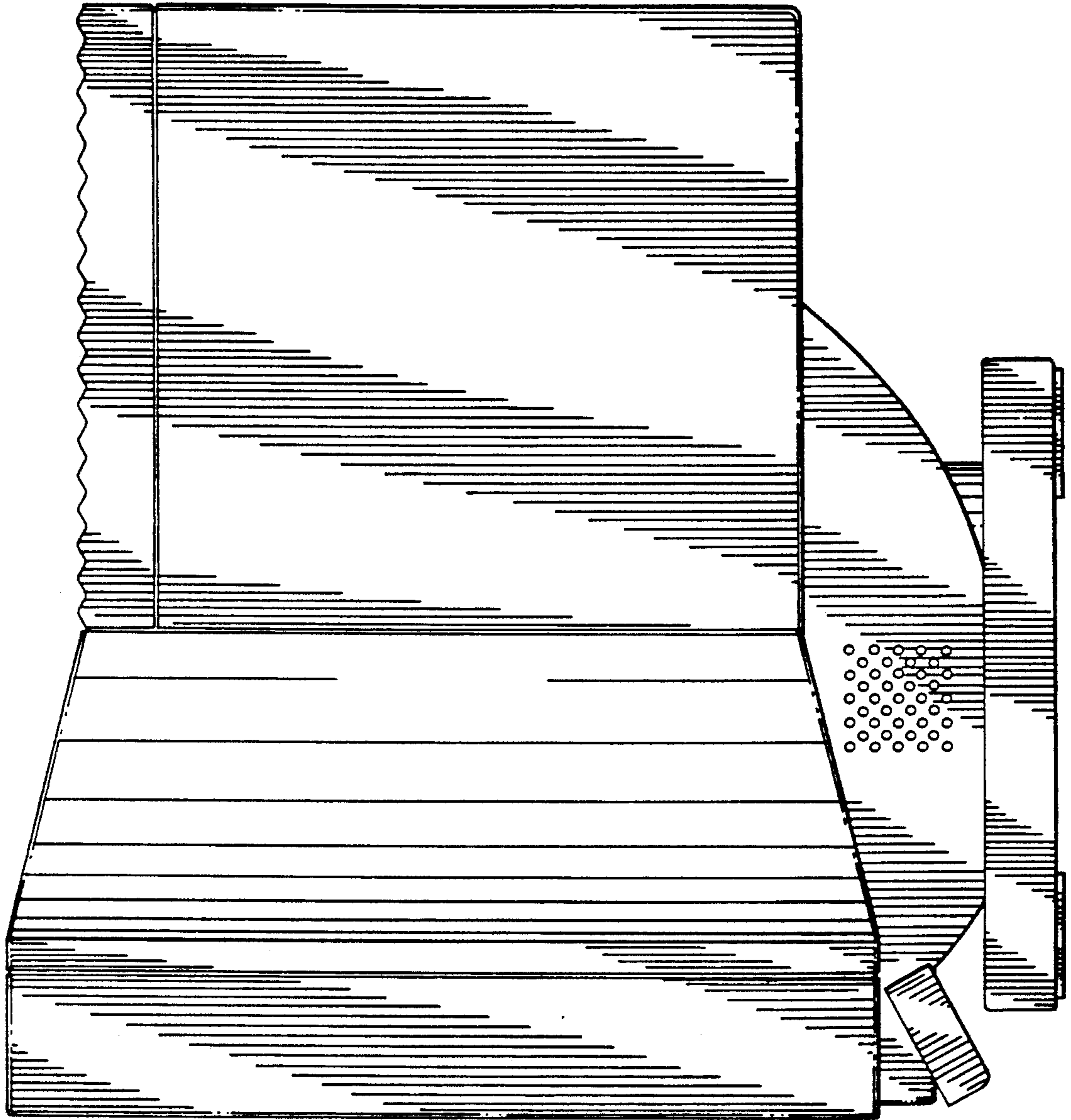


FIG 4

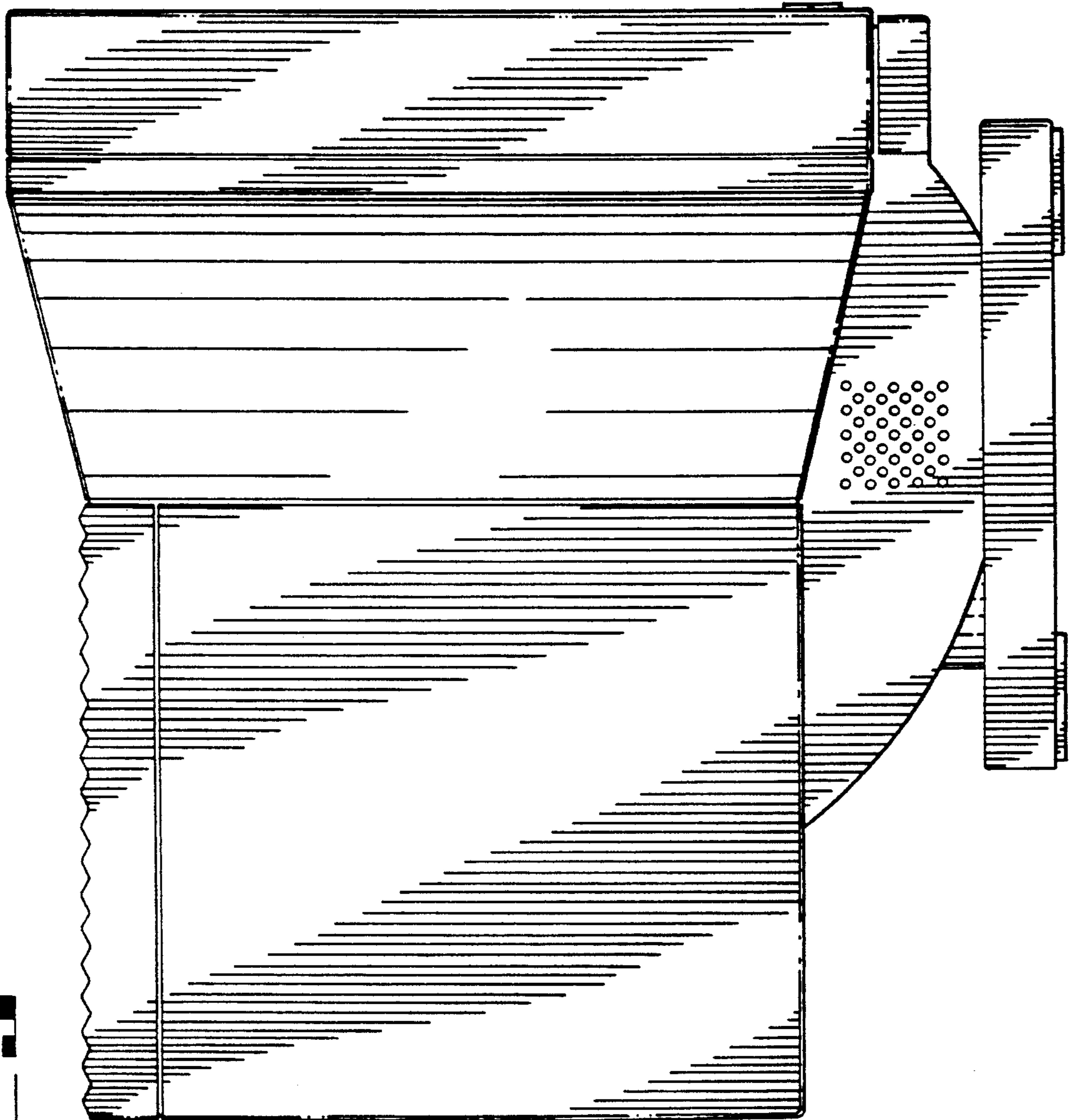


FIG. 5

FIG 6

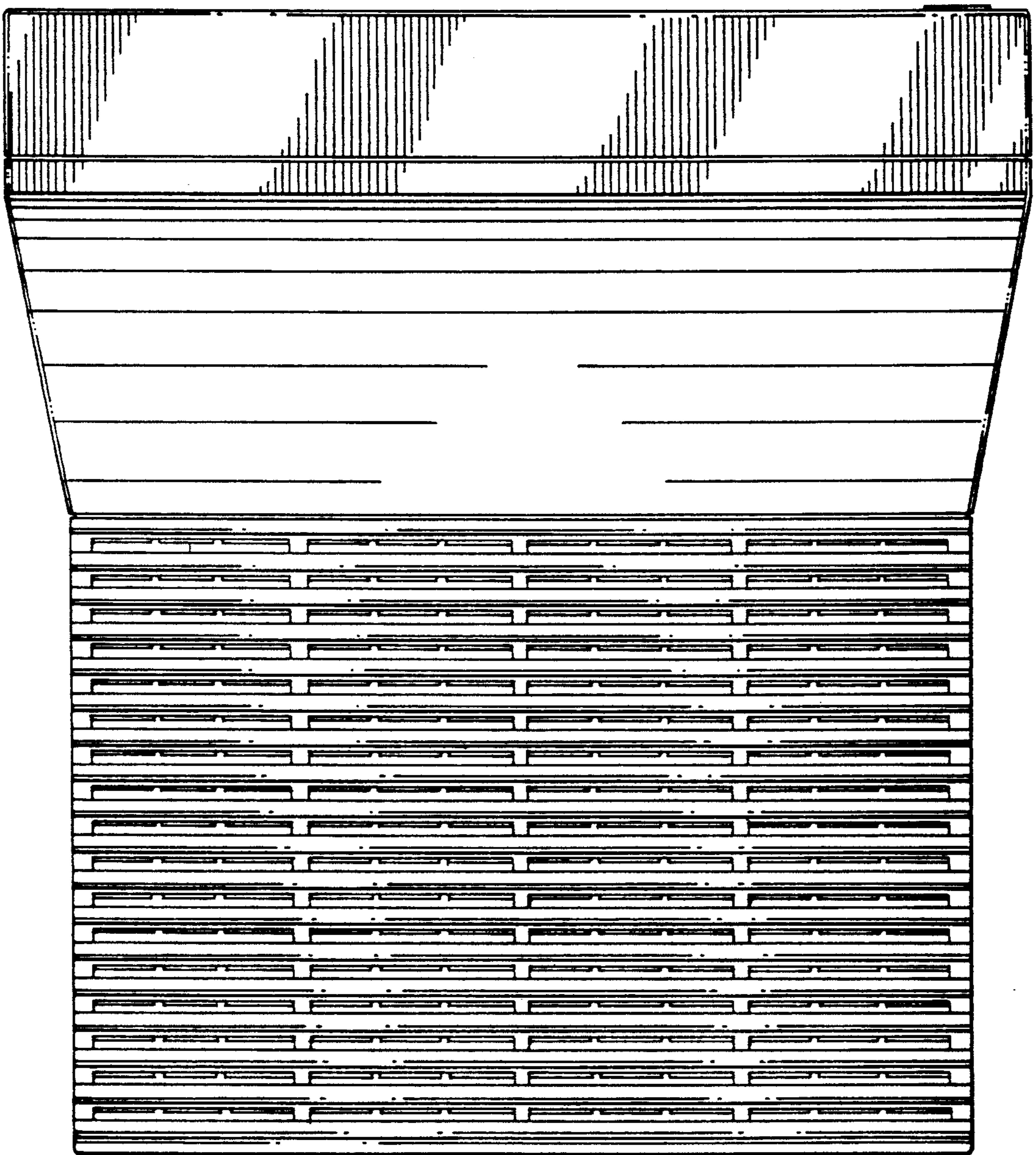


FIG 7

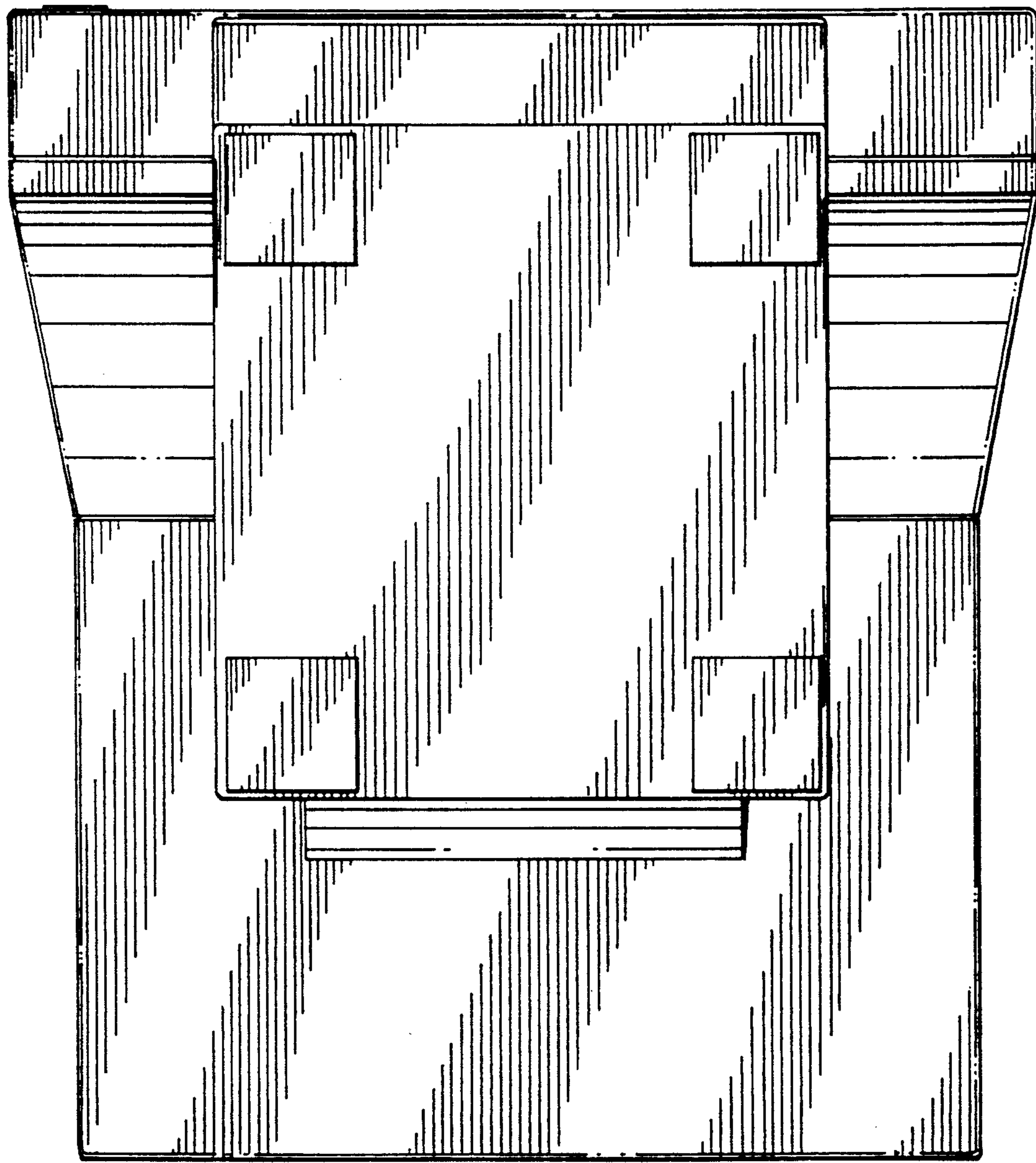


FIG 8

