



US00D345347S

United States Patent [19]

[11] Patent Number: **Des. 345,347**

Yamazaki

[45] Date of Patent: **** Mar. 22, 1994**

[54] PORTABLE COMPUTER

DESCRIPTION

[75] Inventor: **Kazuhiko Yamazaki**, Hiratsuka, Japan

[73] Assignee: **International Business Machines Corp.**, Armonk, N.Y.

[**] Term: **14 Years**

[21] Appl. No.: **934,072**

[22] Filed: **Aug. 21, 1992**

[30] Foreign Application Priority Data

Apr. 28, 1992 [JP] Japan 4-12572

[52] U.S. Cl. **D14/106**

[58] Field of Search 235/145 A, 145 R;
340/700, 706; 341/22, 23; 361/390, 395;
364/708, 709.04; D14/100, 101, 106, 113, 115;
D18/1, 7, 11

[56] References Cited

U.S. PATENT DOCUMENTS

D. 311,741 10/1990 Sakai D14/106

D. 334,567 4/1993 Someya et al. D14/106 X

5,034,858 7/1991 Kawamoto et al. D14/106 X

Primary Examiner—Wallace R. Burke

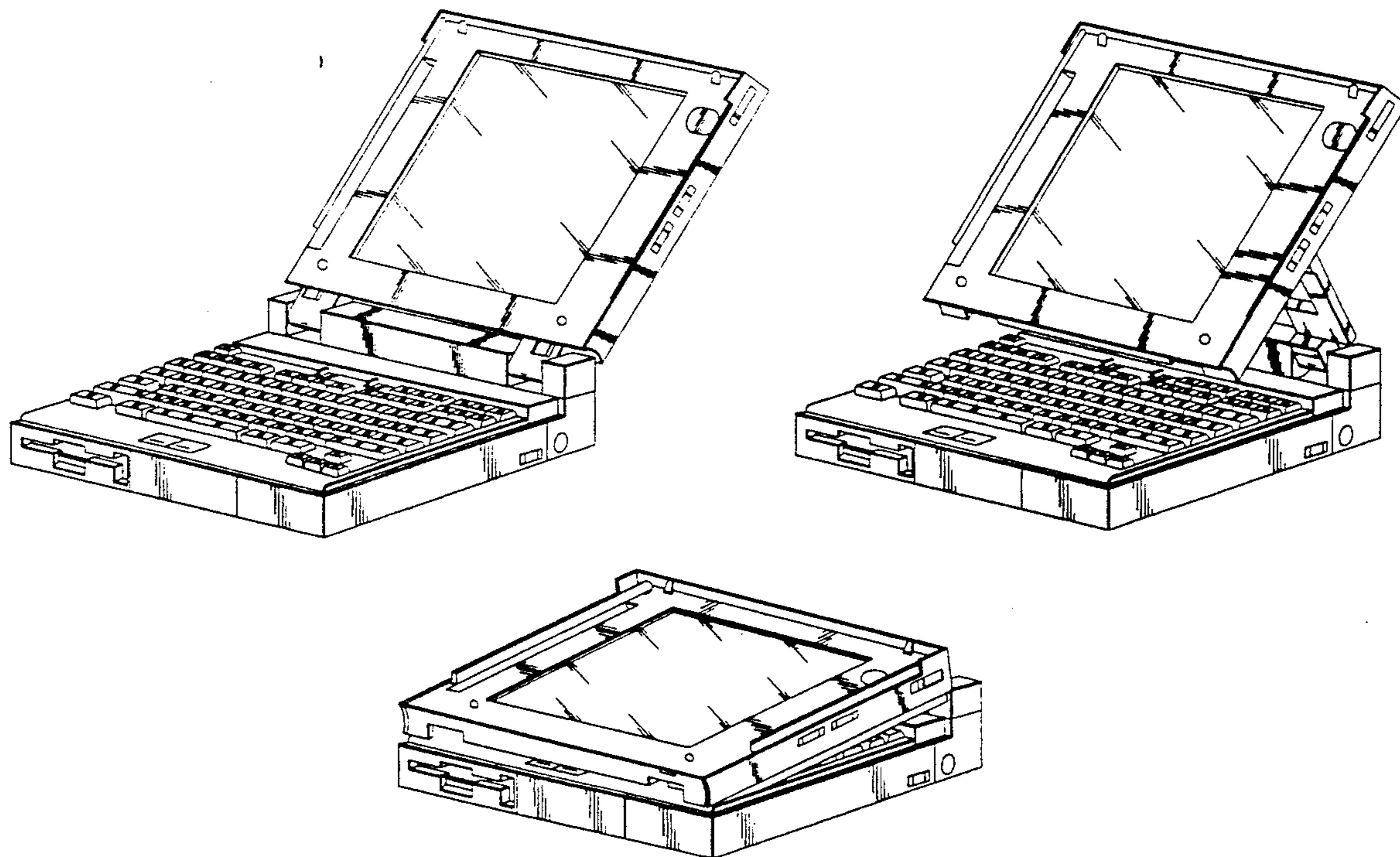
Assistant Examiner—Freda S. Nunn

Attorney, Agent, or Firm—Martin J. McKinley

[57] CLAIM

The ornamental design for a portable computer, as shown and described.

FIG. 1 is a right front and top perspective view of the portable computer with the cover in the open position; FIG. 2 is a right front and top perspective view thereof with the cover in the closed position; FIG. 3 is a right front and top perspective view thereof with the cover in the inverted position; FIG. 4 is a right front and top perspective view thereof with the cover positioned midway between the open and inverted positions; FIG. 5 is a front elevational view thereof with the cover in the open position; FIG. 6 is a rear elevational view thereof; FIG. 7 is a top plan view thereof; FIG. 8 is a bottom plan view thereof; FIG. 9 is a left side elevational view thereof; FIG. 10 is a right side elevational view thereof; FIG. 11 is a front elevational view thereof with the cover in the closed position; FIG. 12 is a rear elevational view thereof; FIG. 13 is a top plan view thereof; FIG. 14 is a bottom plan view thereof; FIG. 15 is a left side elevational view thereof; FIG. 16 is a right side elevational view thereof; FIG. 17 is a front elevational view thereof with the cover in the inverted position; FIG. 18 is a rear elevational view thereof; FIG. 19 is a top plan view thereof; FIG. 20 is a bottom plan view thereof; FIG. 21 is a left side elevational view thereof; and, FIG. 22 is a right side elevational view thereof.



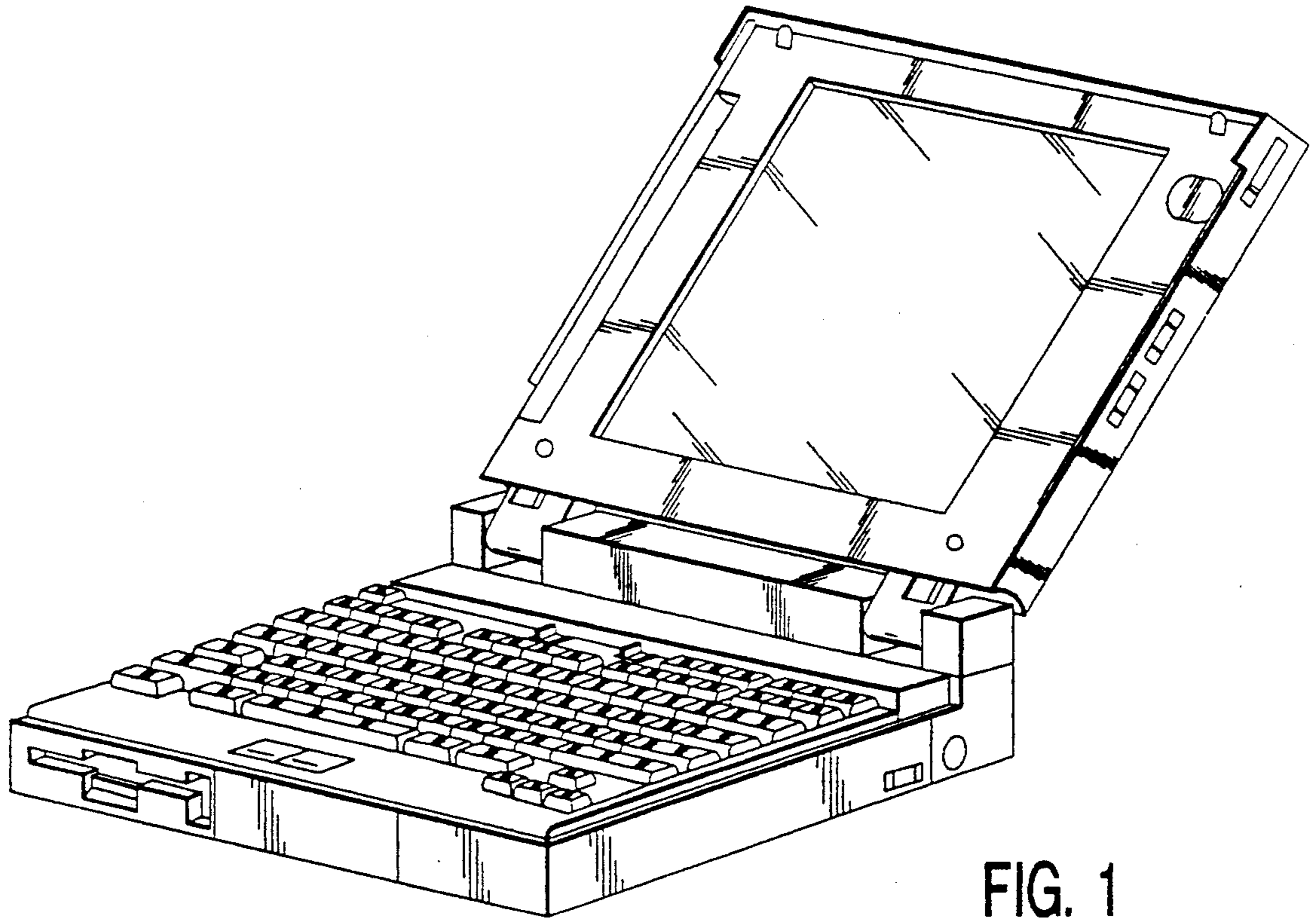


FIG. 1

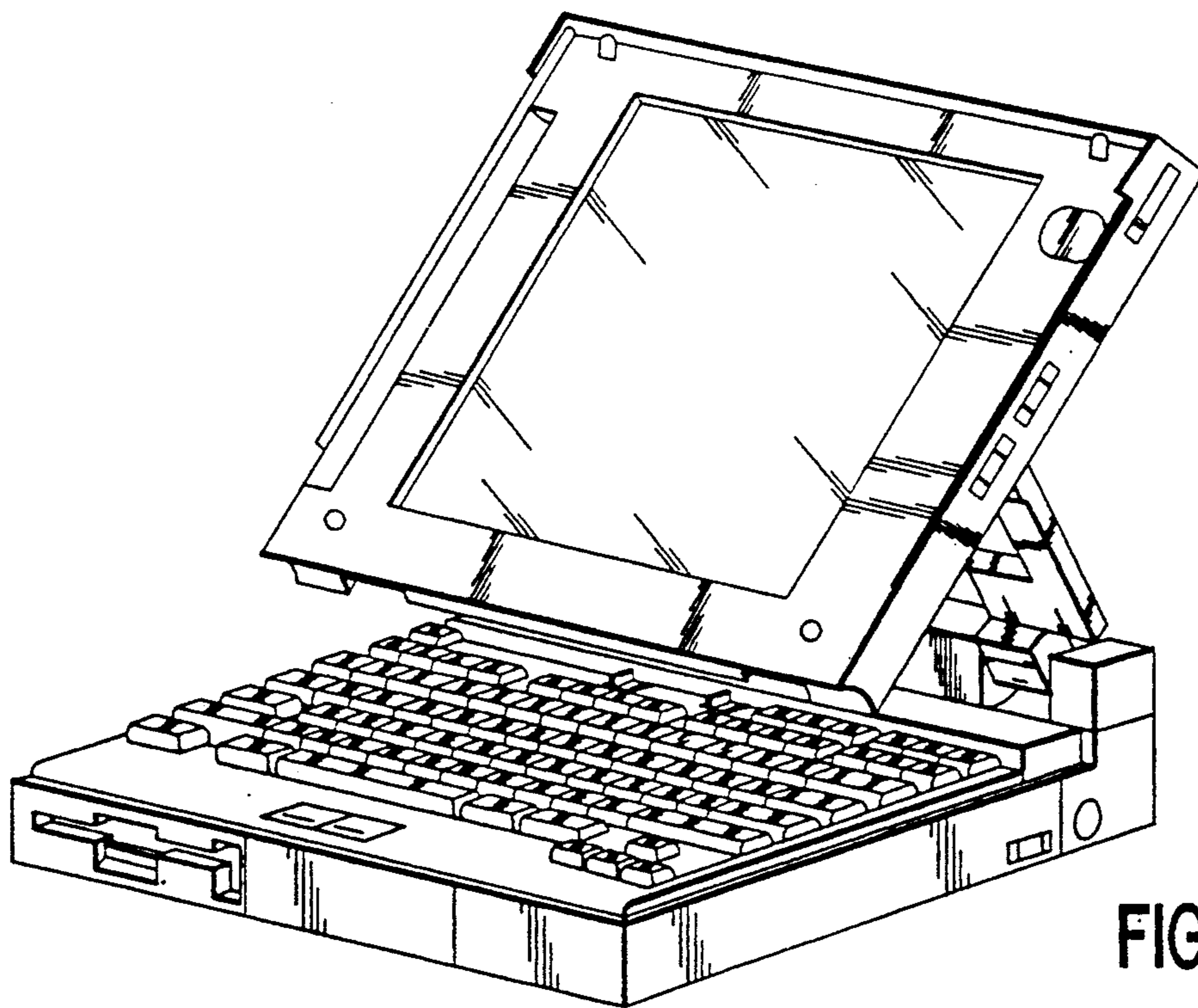


FIG. 4

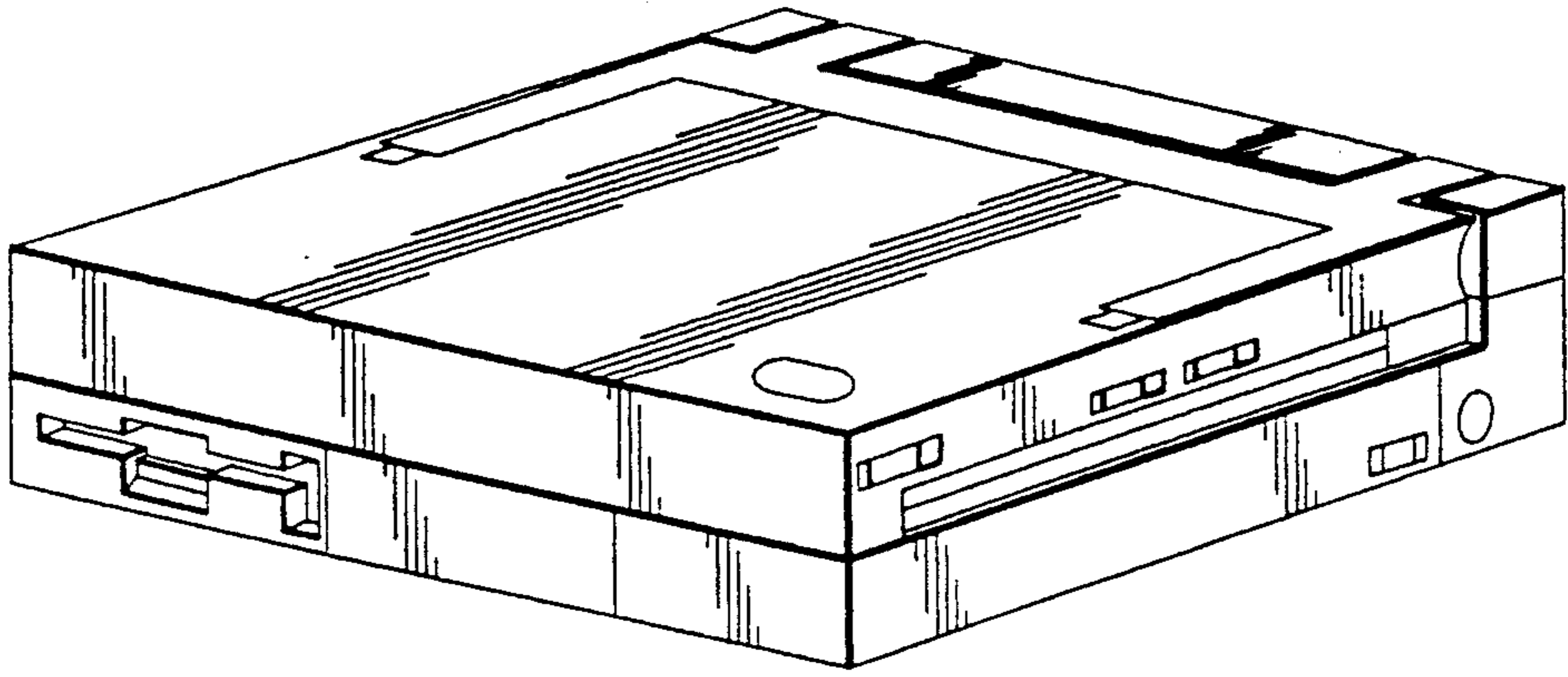


FIG. 2

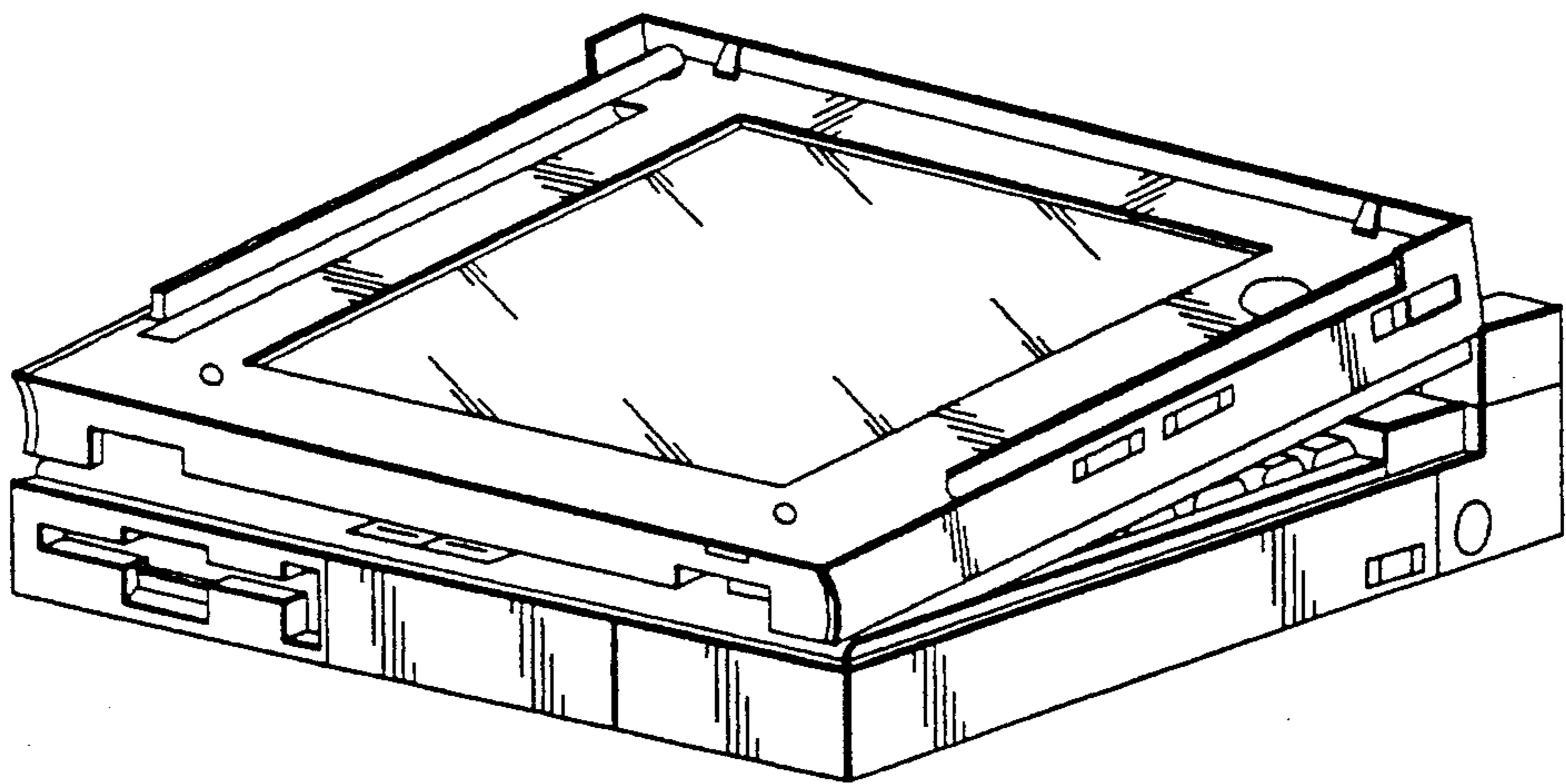


FIG. 3

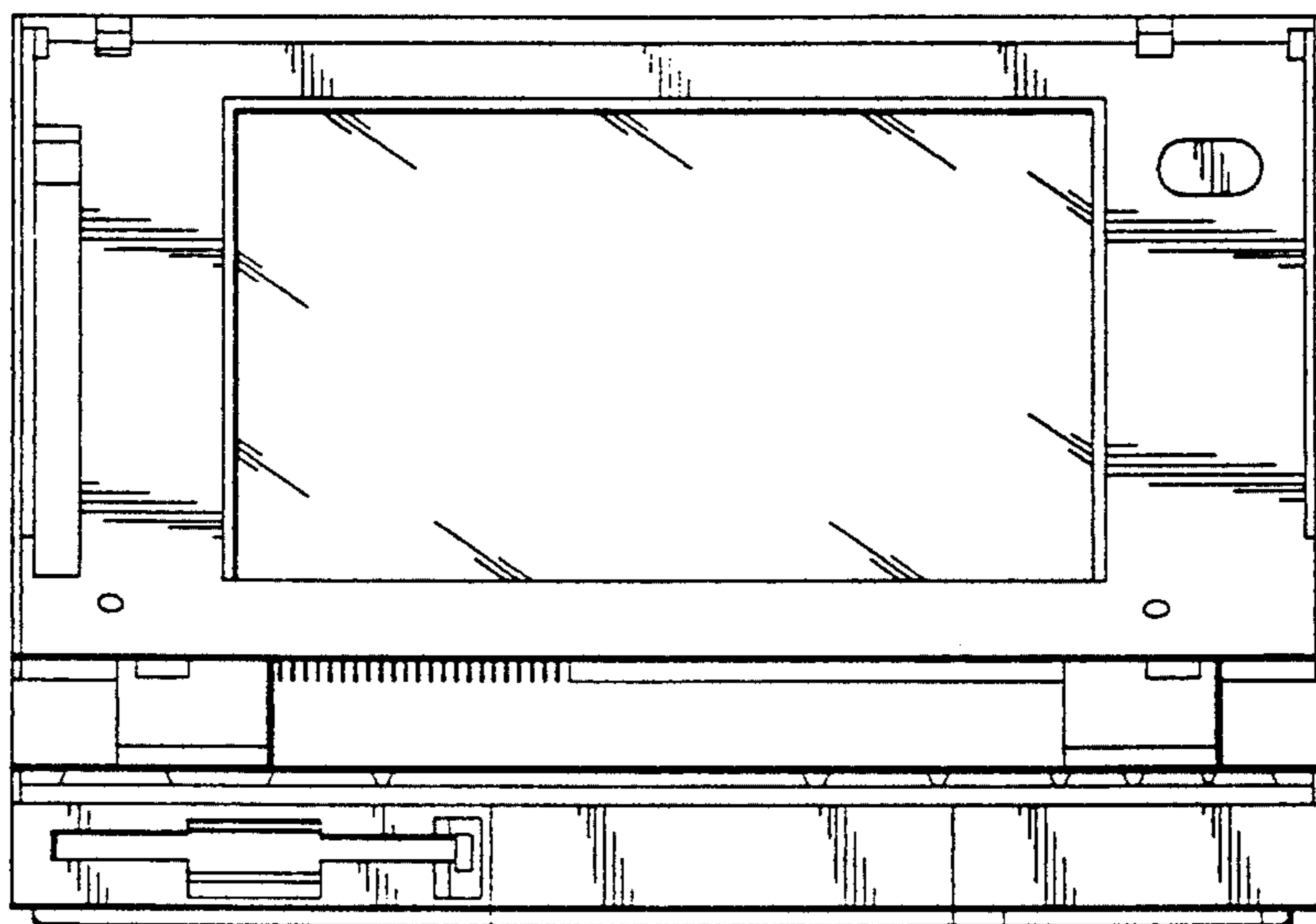


FIG. 5

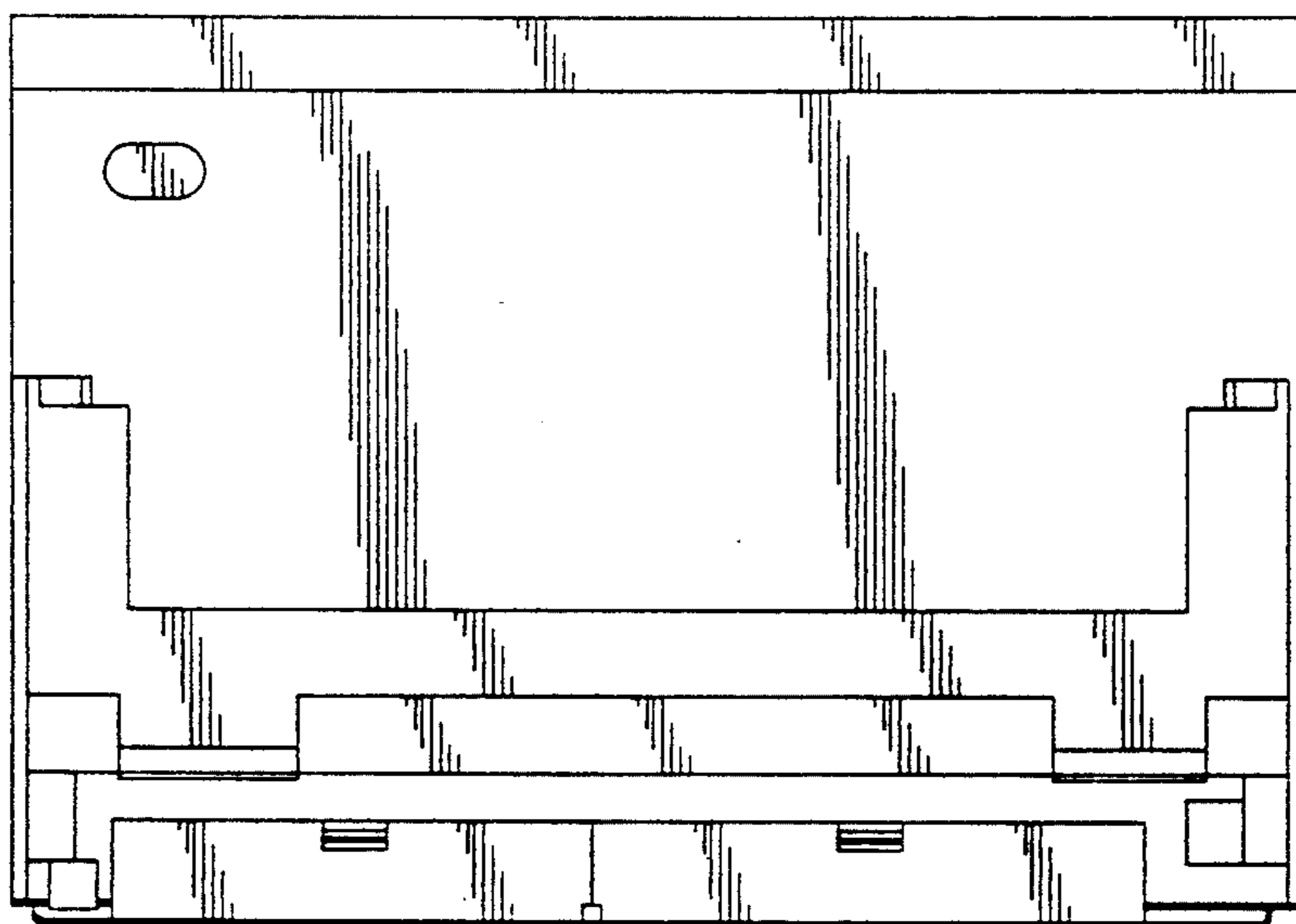


FIG. 6

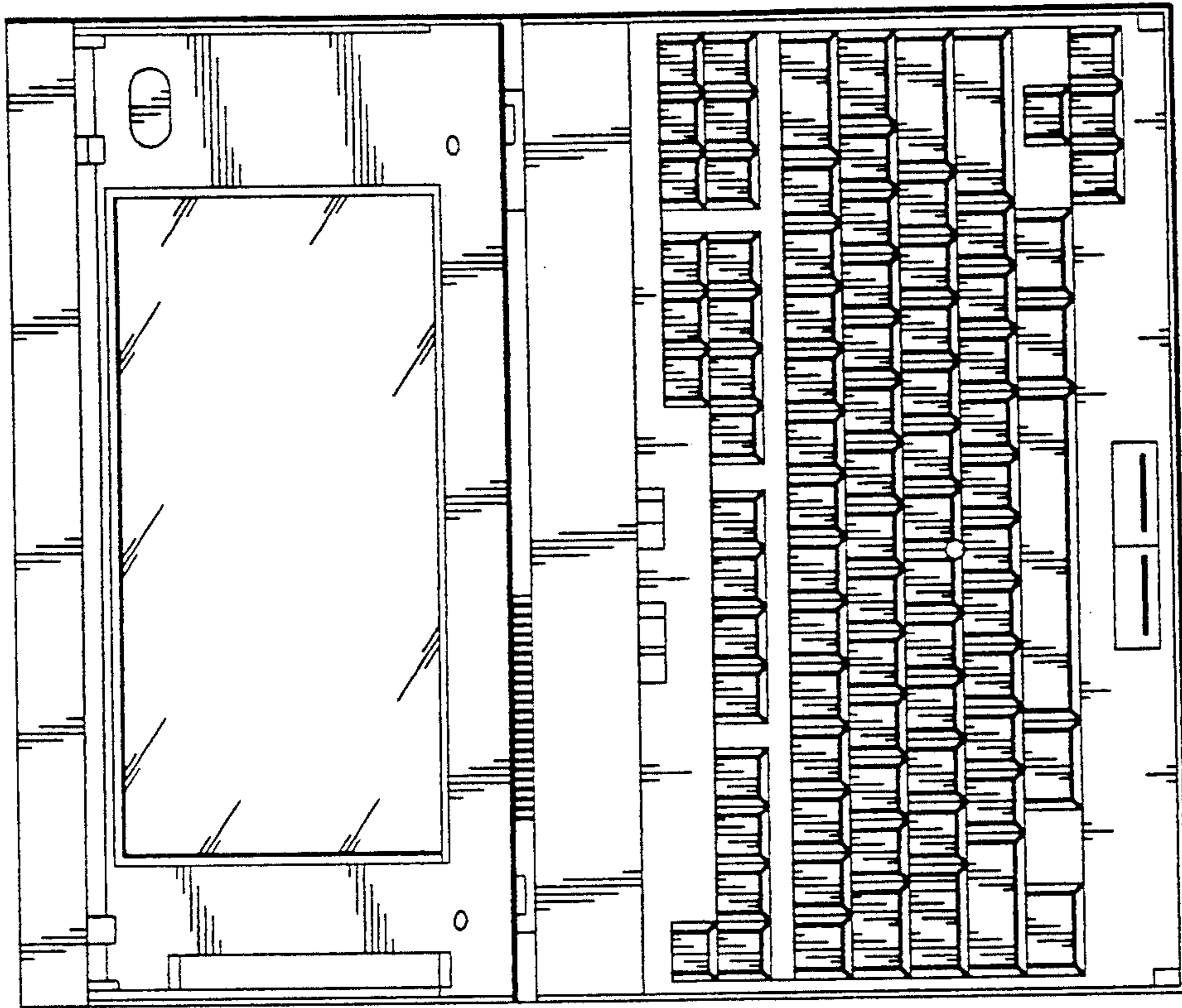


FIG. 7

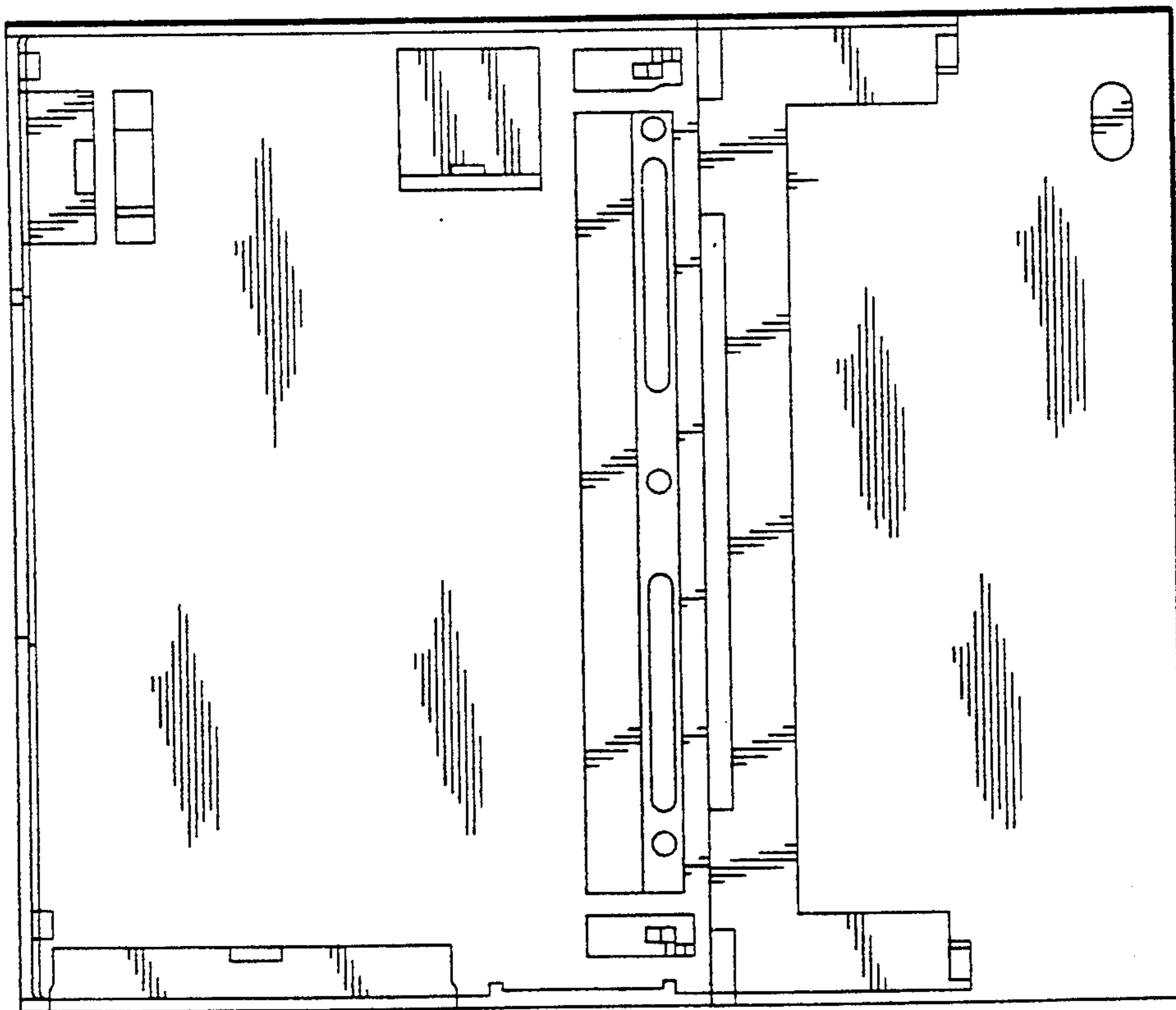


FIG. 8

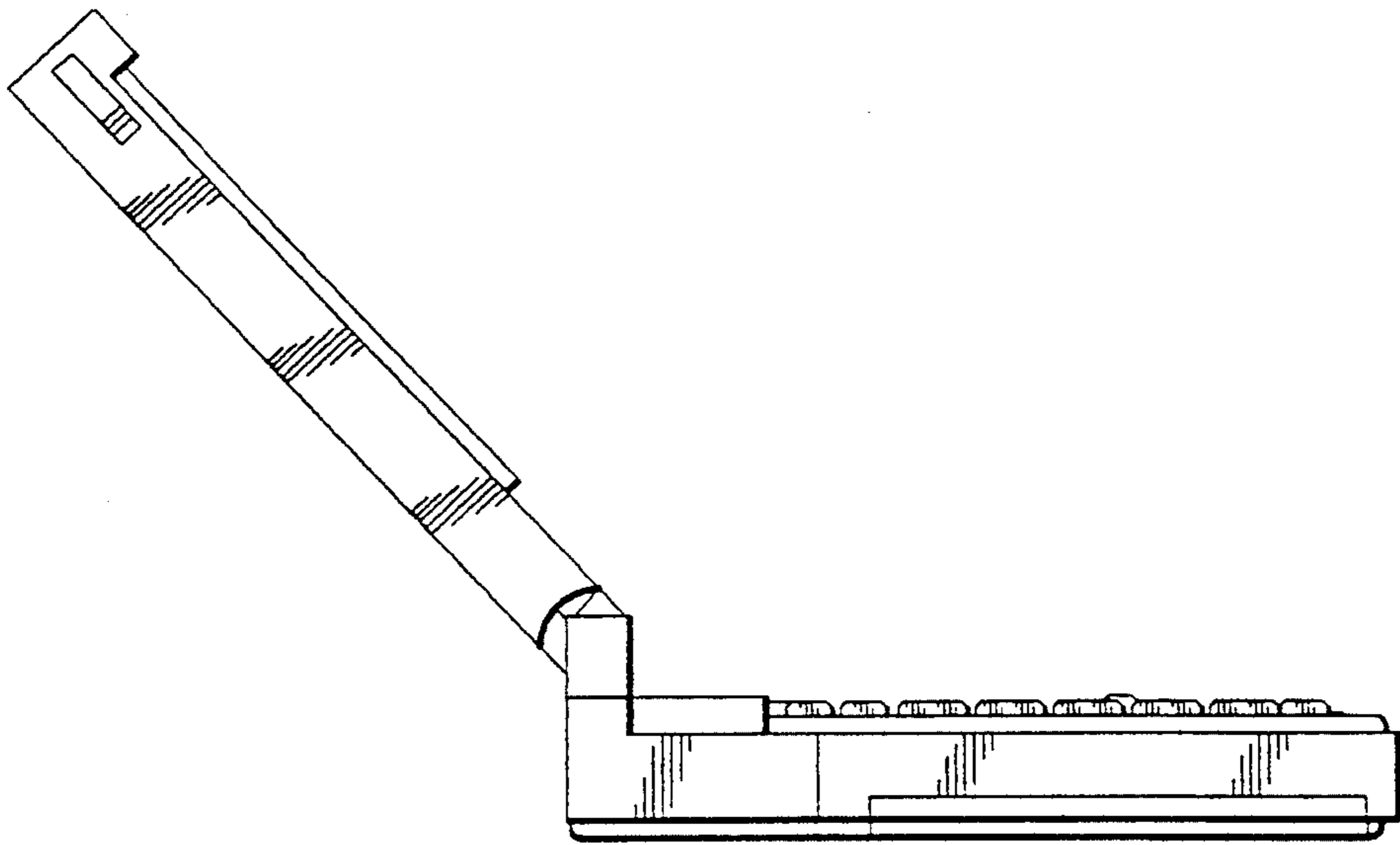


FIG. 9

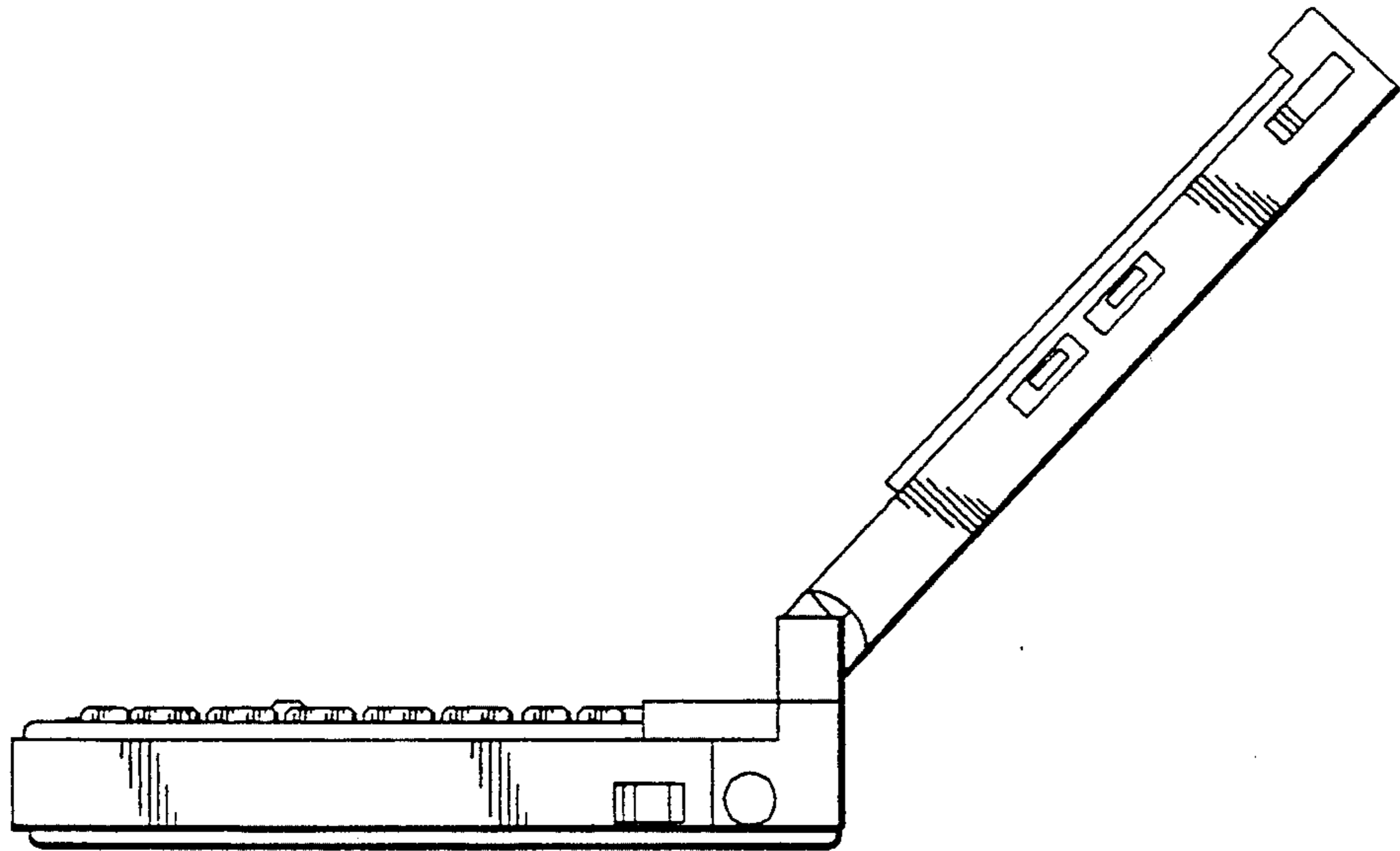


FIG. 10

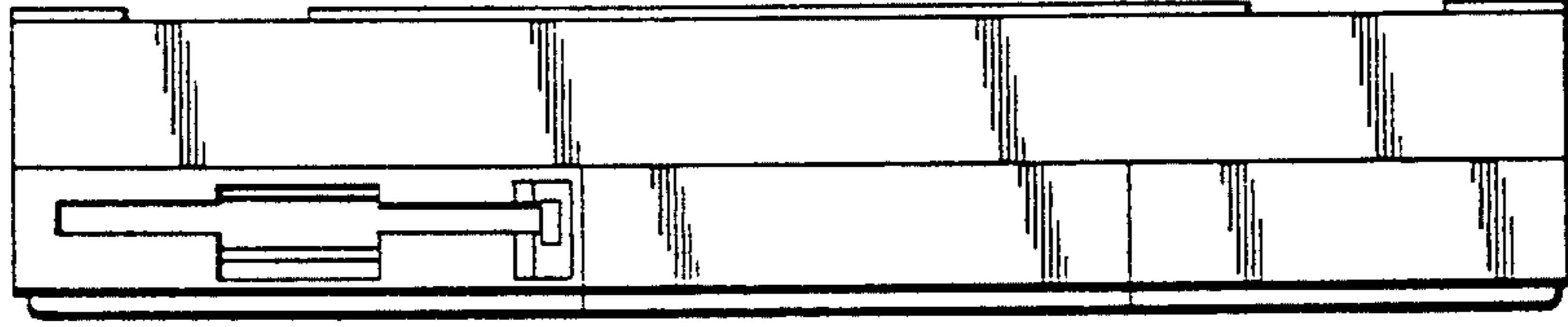


FIG. 11

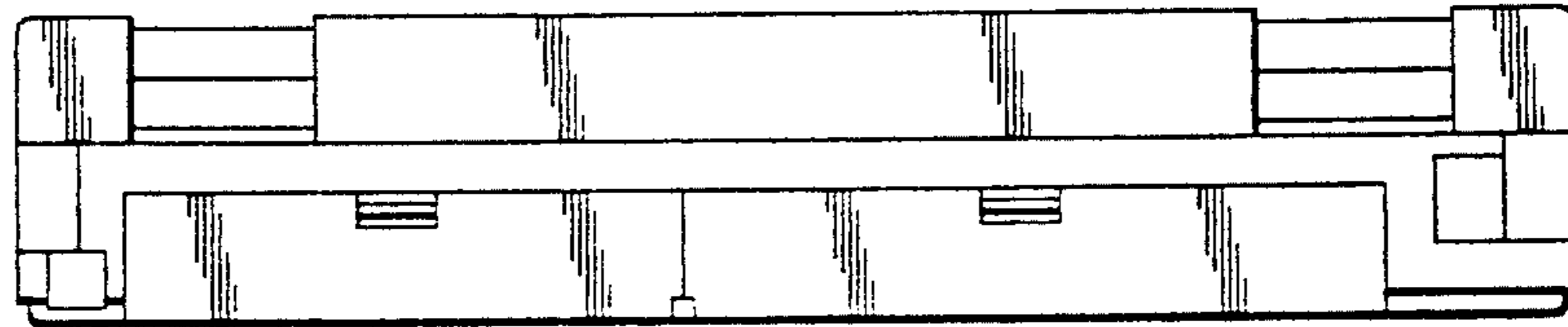


FIG. 12

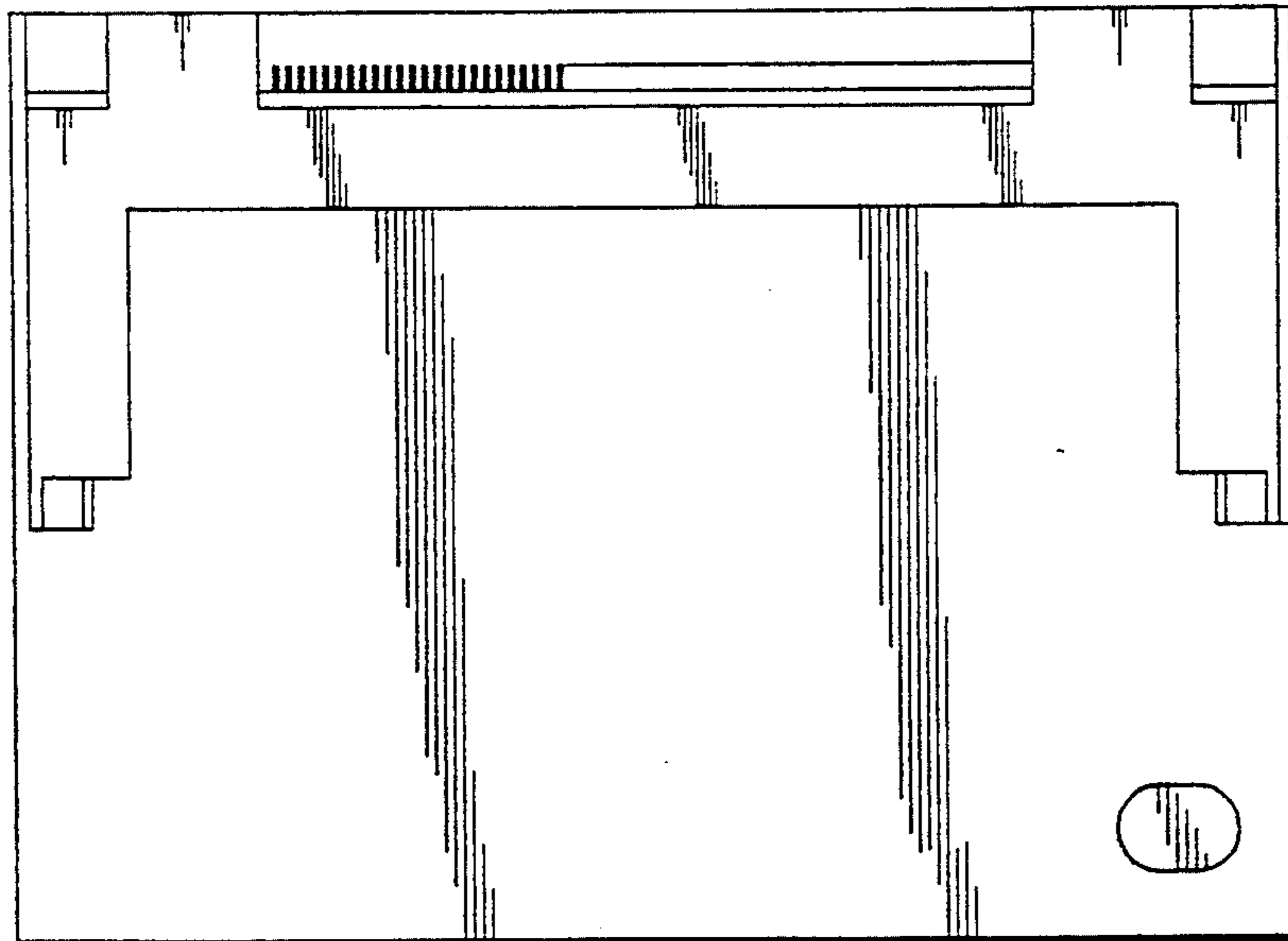


FIG. 13

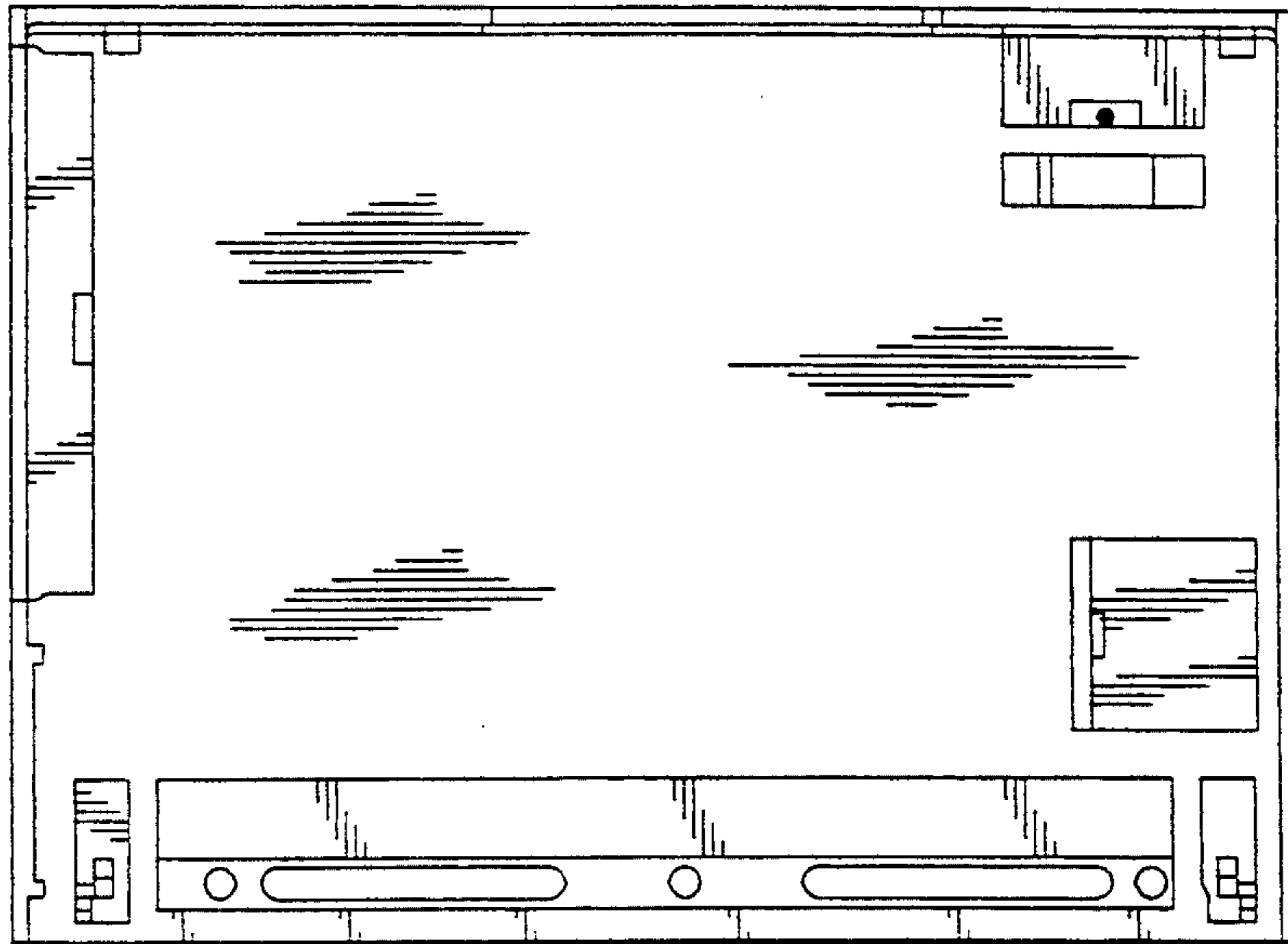


FIG. 14

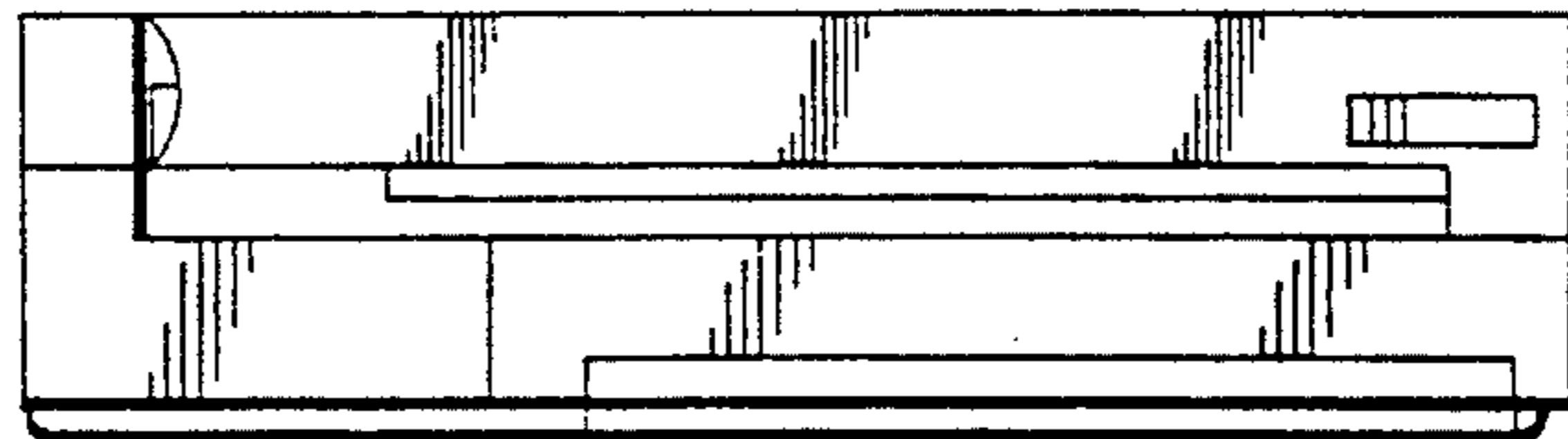


FIG. 15

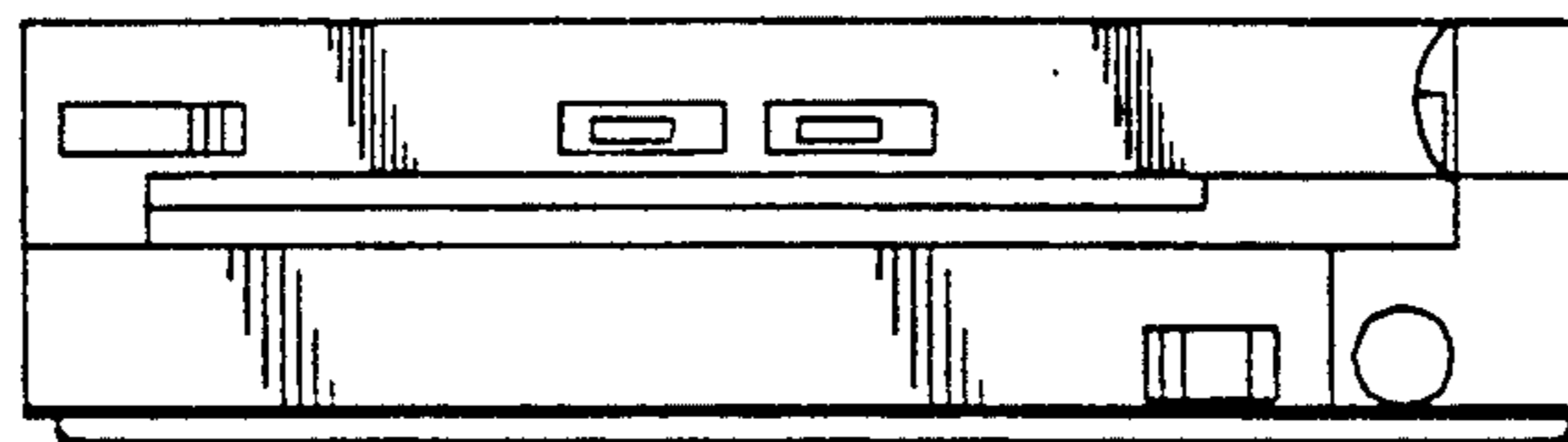


FIG. 16

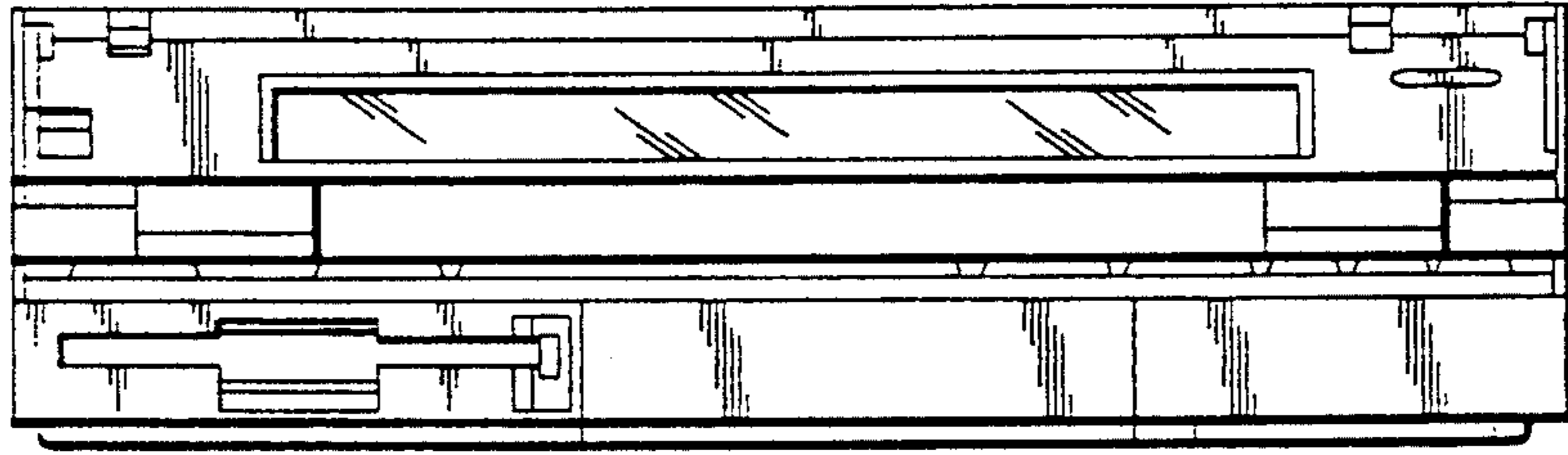


FIG. 17

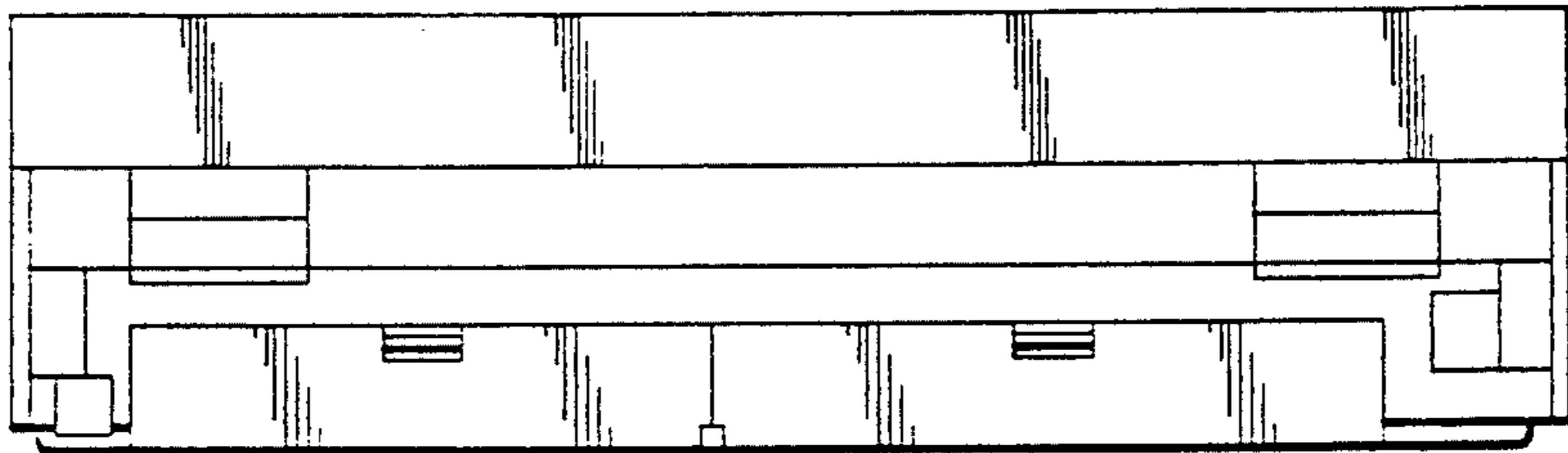


FIG. 18

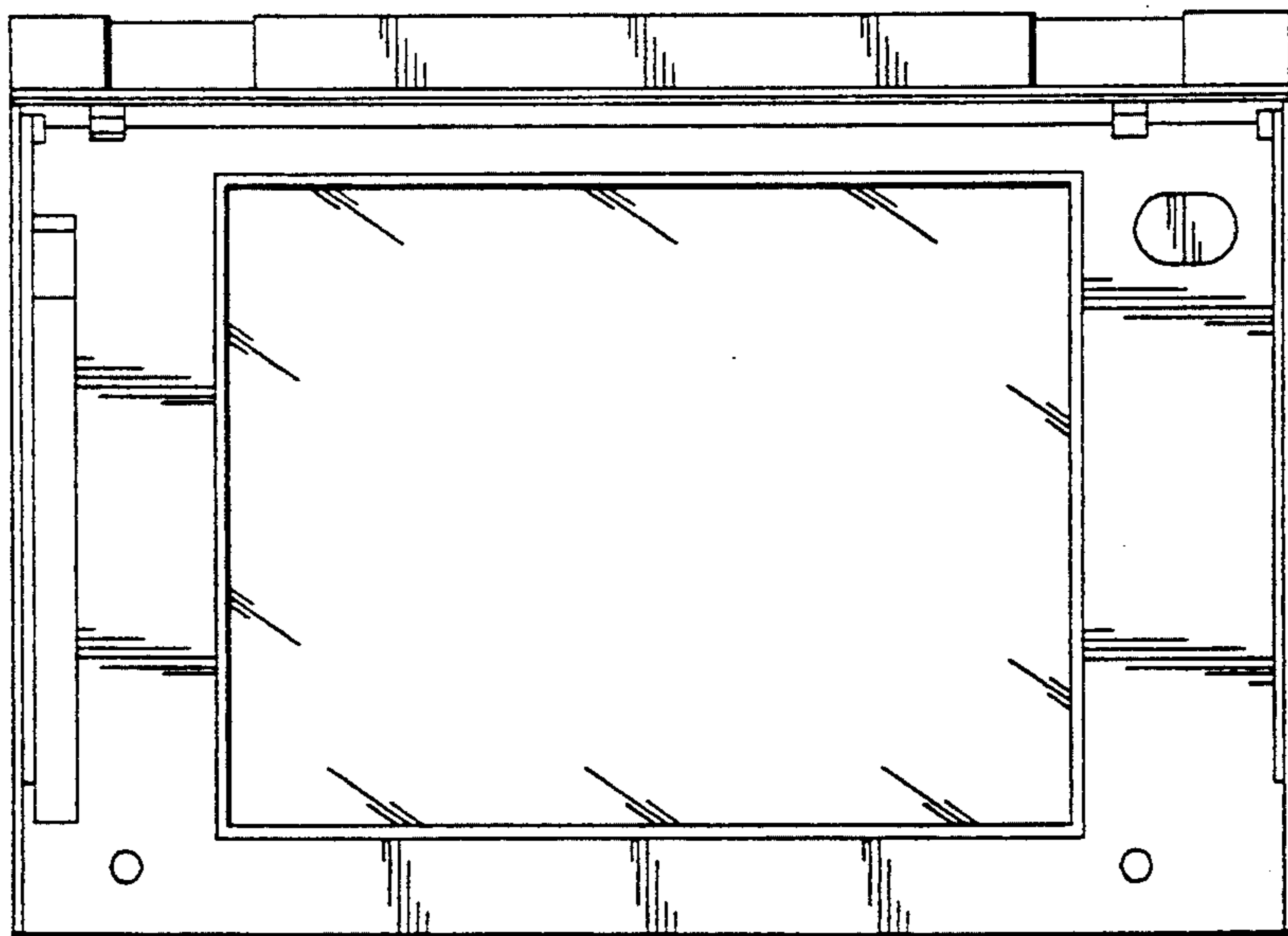


FIG. 19

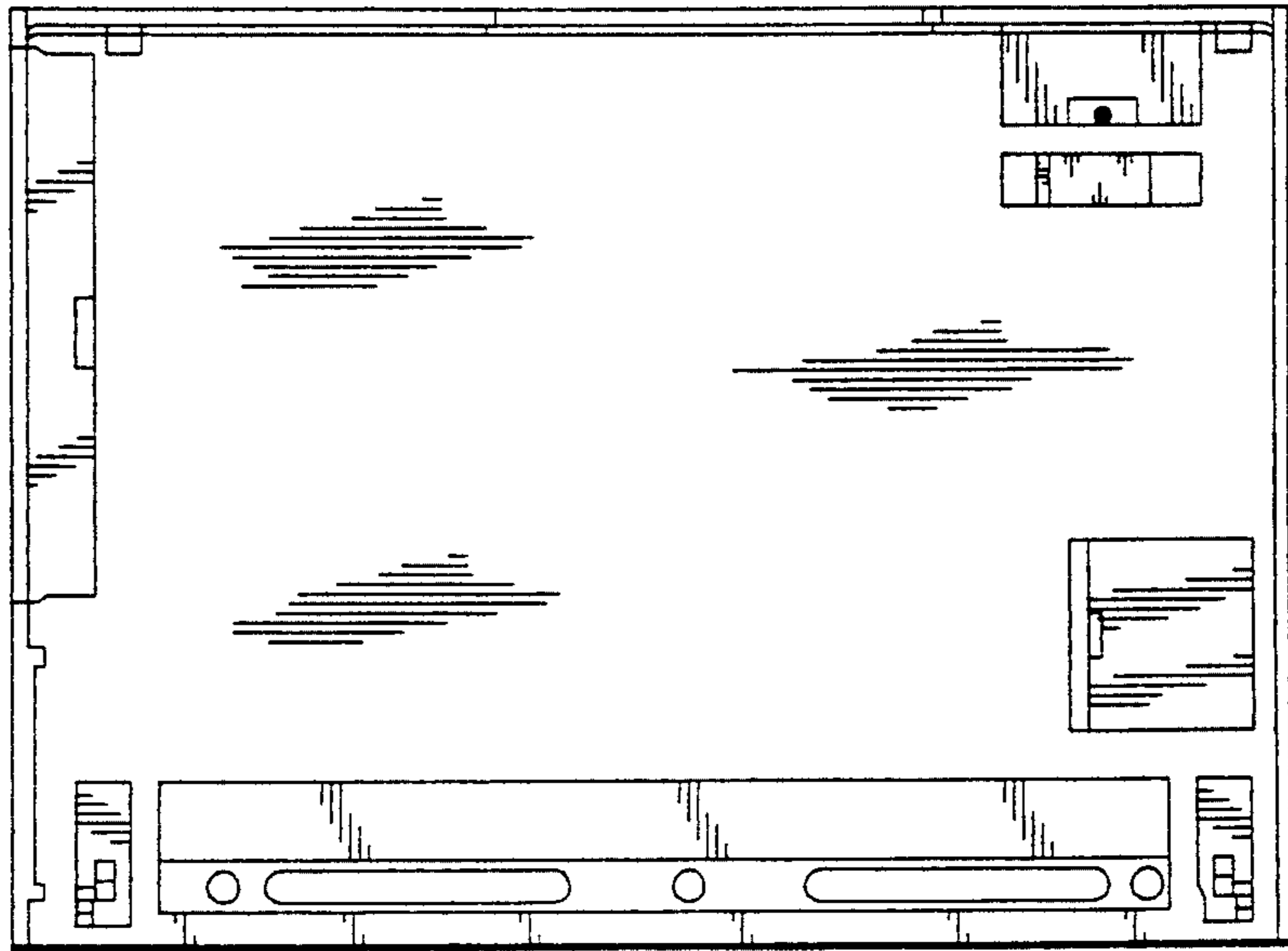


FIG. 20

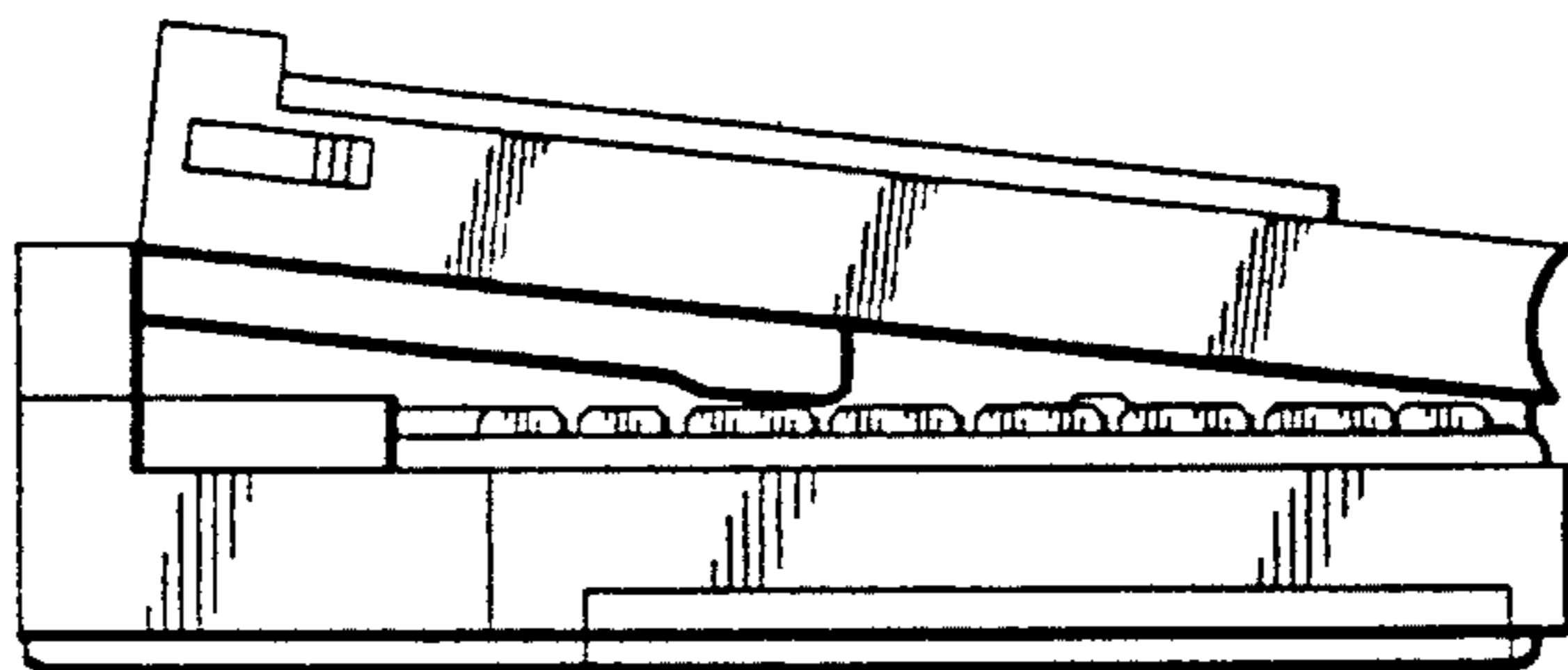


FIG. 21

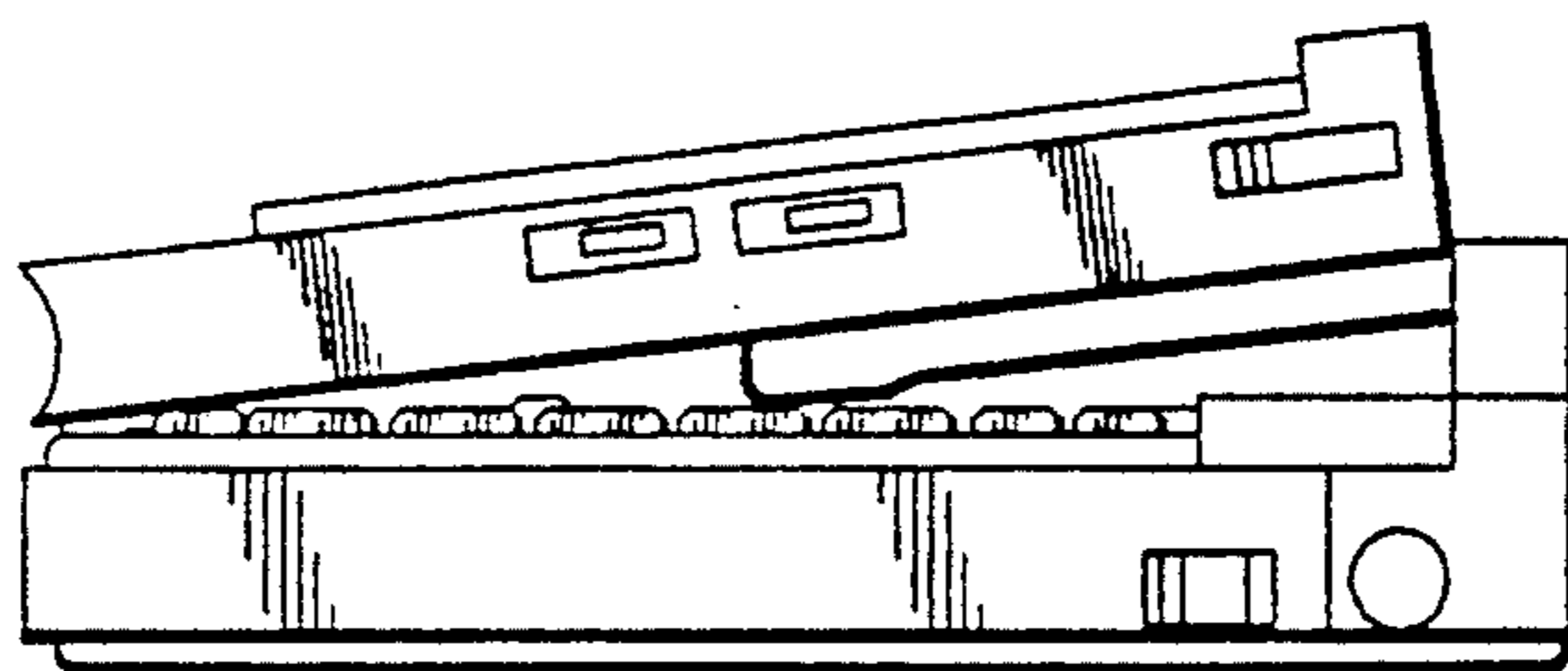


FIG. 22