



US00D345346S

United States Patent [19]

[11] Patent Number: **Des. 345,346**

Alfonso et al.

[45] Date of Patent: **** Mar. 22, 1994**

[54] PEN-BASED COMPUTER

[75] Inventors: **Pedro M. Alfonso**, Delray Beach; **Daniel F. Ansell**, Coral Spring; **Jeffrey W. Benck**, Delray Beach; **Hunter T. Foy**, Boca Raton, all of Fla.; **Richard F. Sapper**, Montagnola, Switzerland; **Robert D. Wysong**, Boca Raton, Fla.

[73] Assignee: **International Business Machines Corp.**, Armonk, N.Y.

[**] Term: **14 Years**

[21] Appl. No.: **779,486**

[22] Filed: **Oct. 18, 1991**

[52] U.S. Cl. **D14/100**

[58] Field of Search 340/700, 707, 706; 364/708, 709.04; 361/390, 394; 178/18, 19; D14/100, 101, 106, 113

[56] References Cited

U.S. PATENT DOCUMENTS

D. 307,134	4/1990	Makidera	D14/100
D. 315,549	3/1991	Clough et al.	D14/100
D. 317,151	5/1991	Daly	D14/100
D. 321,172	10/1991	Moore, IV et al.	D14/100
D. 333,814	3/1993	Swanson et al.	D14/100
4,972,496	11/1990	Sklarew	D14/100

FOREIGN PATENT DOCUMENTS

803268 12/1990 Japan D14/LD14 100

OTHER PUBLICATIONS

Grid System on "Dempa Shimbun" Mar. 27, 1989 Pen Style Computer.

Primary Examiner—Wallace R. Burke
Assistant Examiner—Freda S. Nunn
Attorney, Agent, or Firm—George E. Grosser

[57] CLAIM

The ornamental design for the pen-based computer, as shown and described.

DESCRIPTION

FIG. 1 is a top perspective view of a pen based computer showing our new design; FIG. 2 is a bottom perspective view thereof; FIG. 3 is the top plan view thereof; FIG. 4 is the right side elevation view thereof; FIG. 5 is the rear elevation view thereof; FIG. 6 is a bottom plan view thereof; FIG. 7 is the left side elevation view thereof; and, FIG. 8 is the front elevation view thereof. The circular elements are partially shown in FIG. 6 for ease of illustration and they are understood to continue uniformly across the indicated surface.

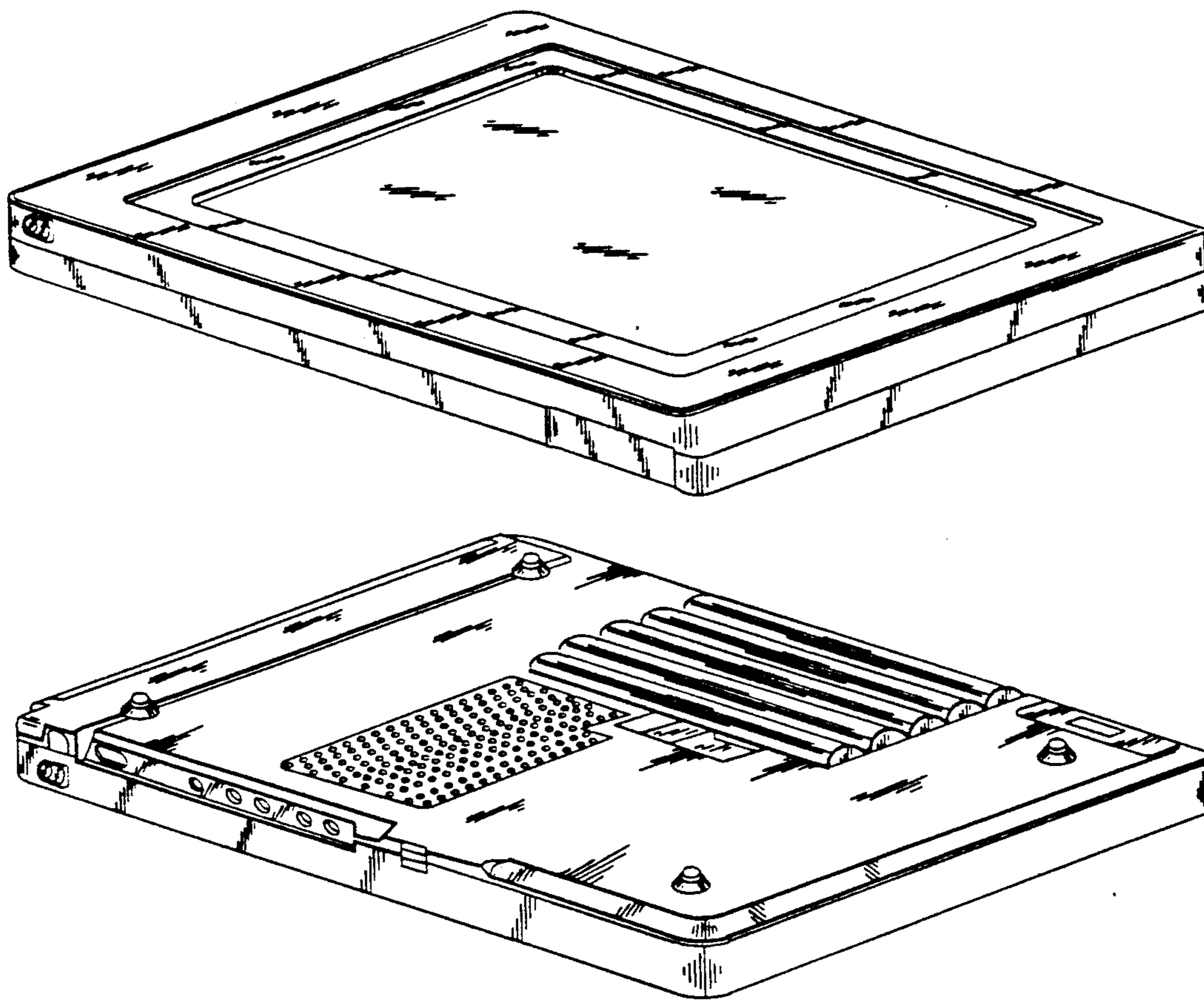


FIG. 1

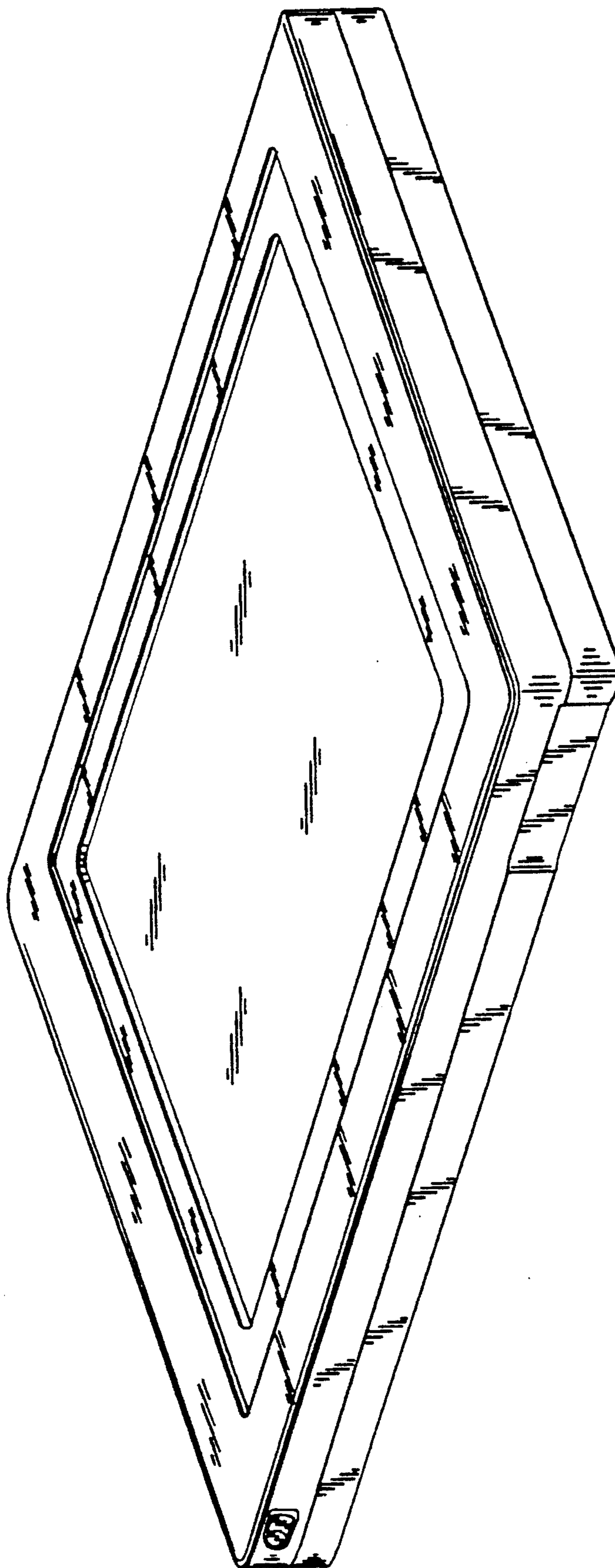


FIG. 2

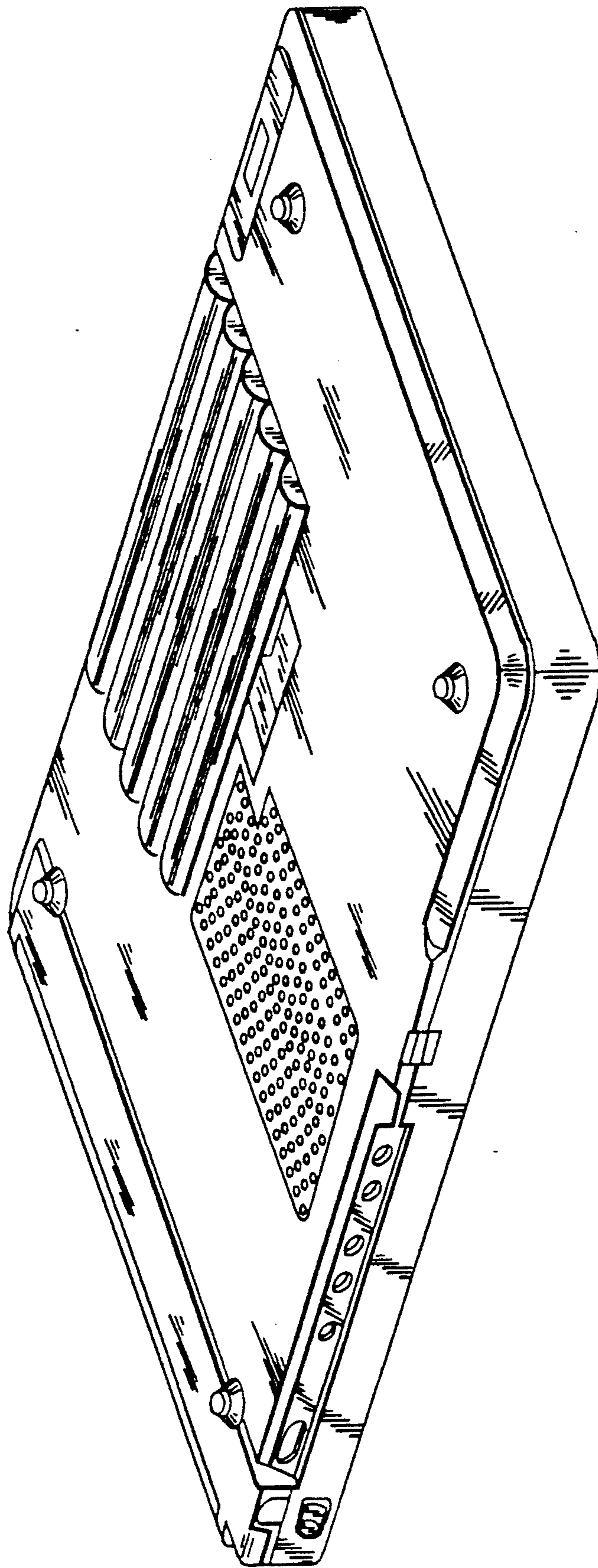


FIG. 3

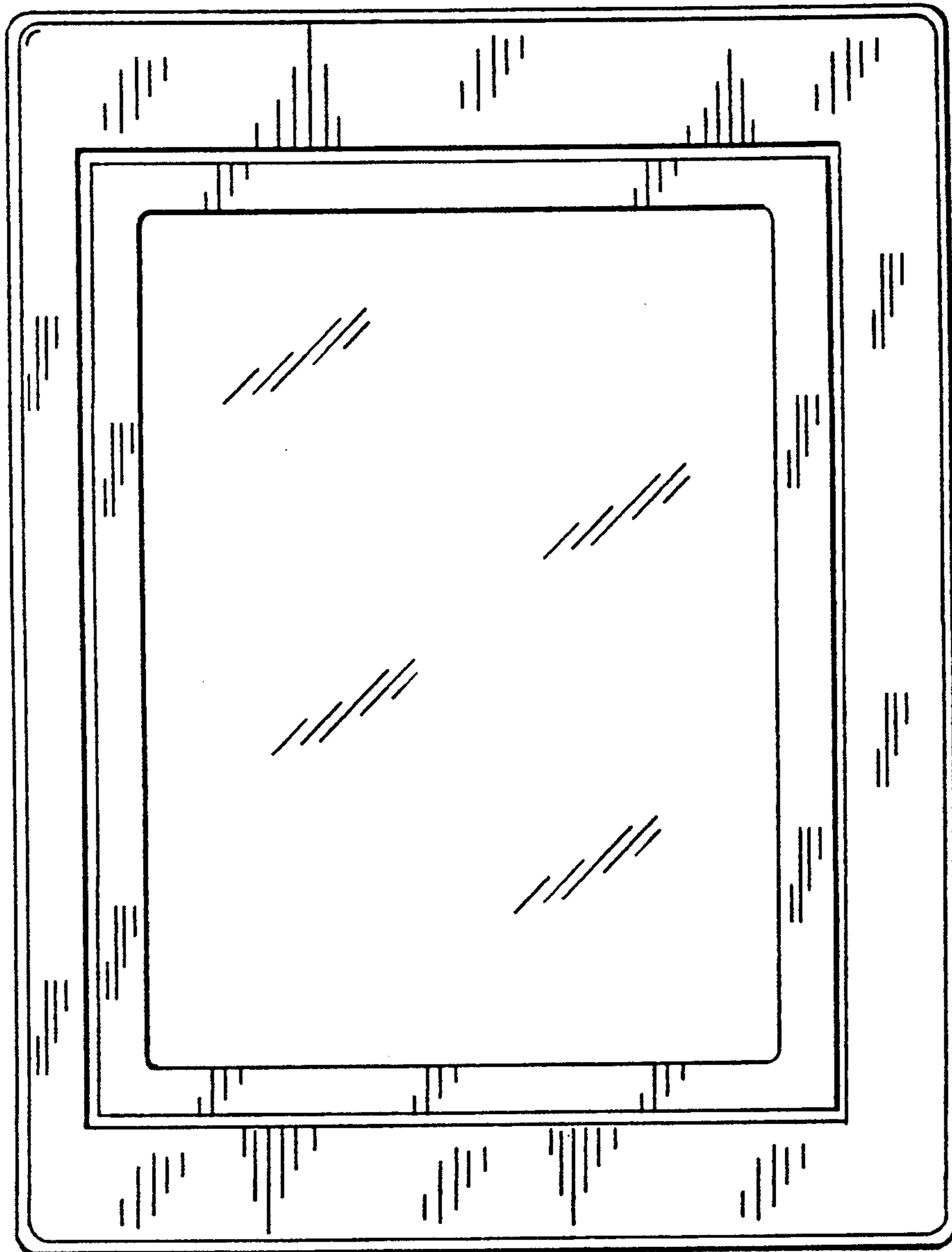


FIG. 4

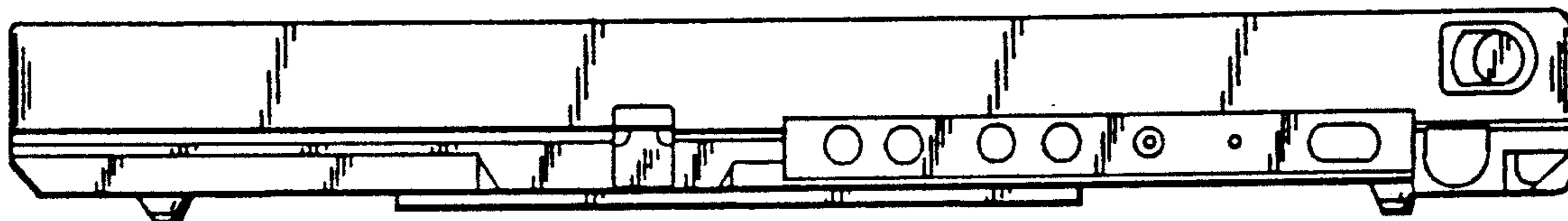


FIG. 7

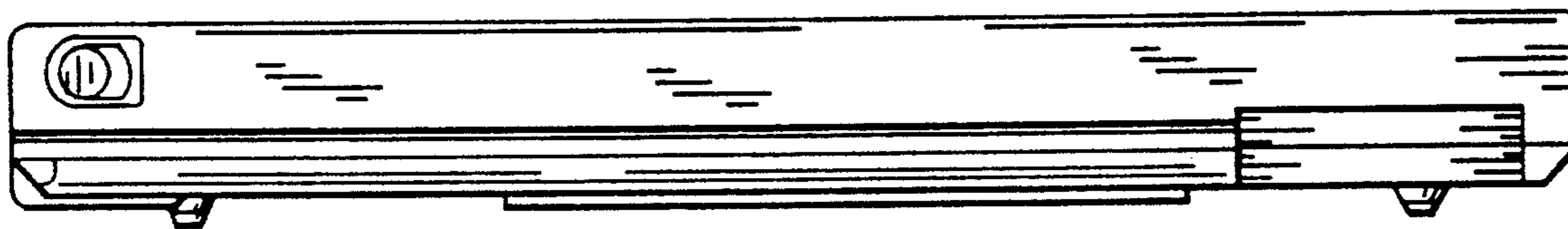


FIG. 5

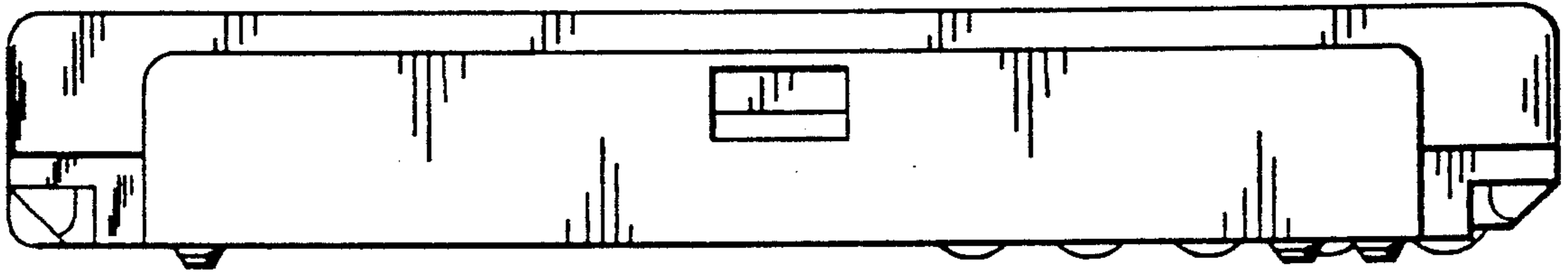


FIG. 8

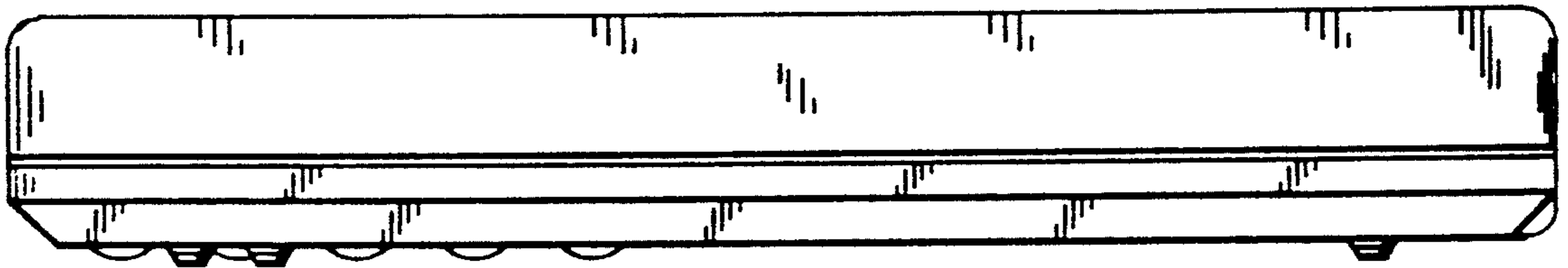


FIG. 6

