



US00D345343S

United States Patent [19]

[11] Patent Number: **Des. 345,343**

Nakamura

[45] Date of Patent: **** Mar. 22, 1994**

[54] ELECTRICAL CONNECTING SOCKET

5,073,130 12/1991 Nakamura 439/607

[75] Inventor: Masahiko Nakamura, Yao, Japan

Primary Examiner—Wallace R. Burke

[73] Assignee: Hosiden Corporation, Yao, Japan

Assistant Examiner—J. Sincavage

[**] Term: 14 Years

Attorney, Agent, or Firm—Jones, Tullar & Cooper

[21] Appl. No.: 854,958

[57] CLAIM

[22] Filed: Mar. 20, 1992

The ornamental design for an electrical connecting socket, as shown and described.

[30] Foreign Application Priority Data

DESCRIPTION

Sep. 26, 1991 [JP] Japan 3-29242

FIG. 1 is a front, top and right side perspective view of an electrical connecting socket showing my new design; FIG. 2 is a front elevational view thereof; FIG. 3 is a rear elevational view thereof; FIG. 4 is a right side elevational view thereof, the left side elevational view being a mirror image; FIG. 5 is a top plan view thereof; FIG. 6 is a bottom plan view thereof; and, FIG. 7 is a front and lower right perspective view thereof.

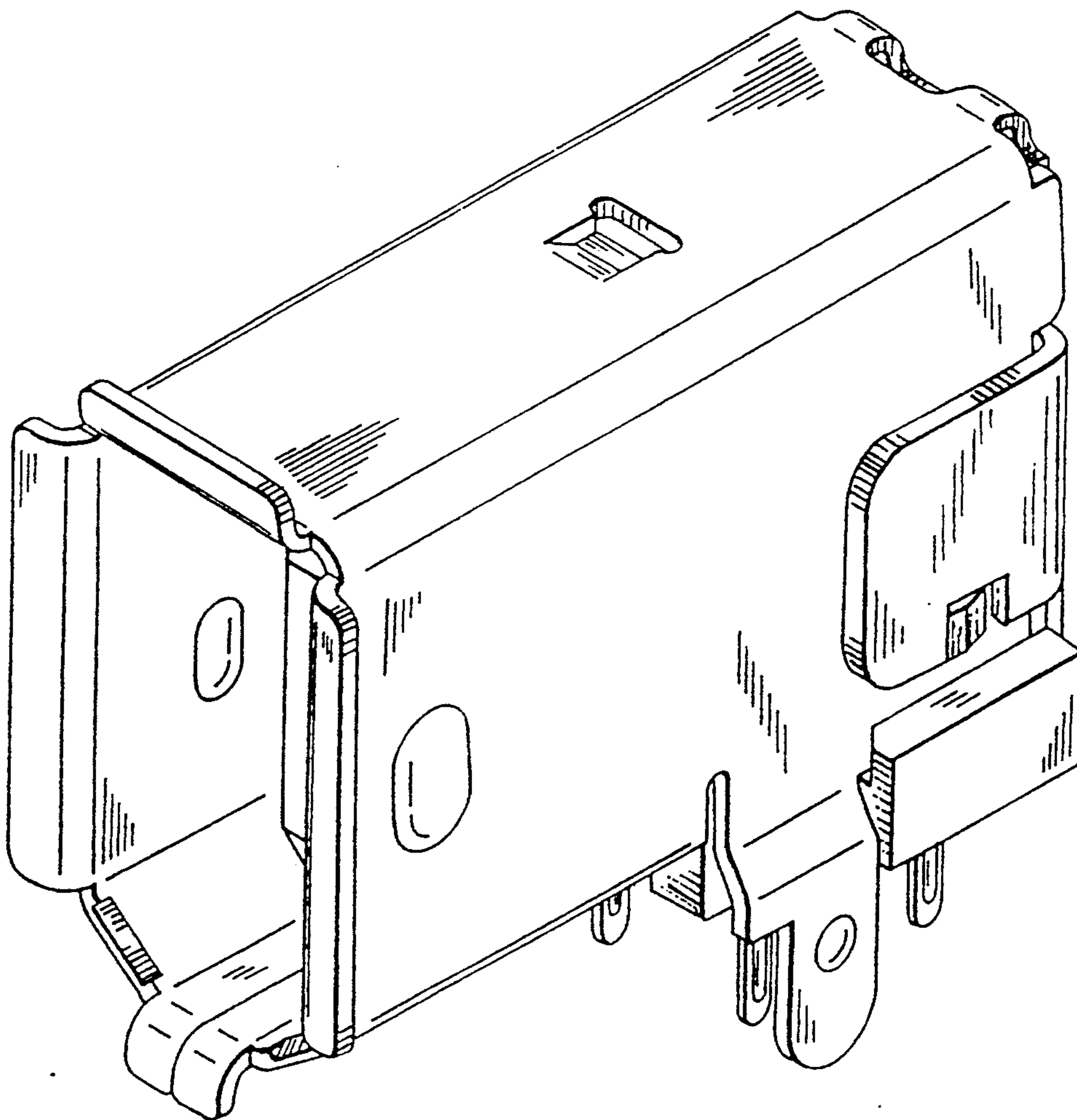
[52] U.S. Cl. D13/147

[58] Field of Search 439/606, 607, 678, 682, 439/723, 694, 329, 557, 567; D13/147

[56] References Cited

U.S. PATENT DOCUMENTS

5,017,156 5/1991 Sugiyama 439/607



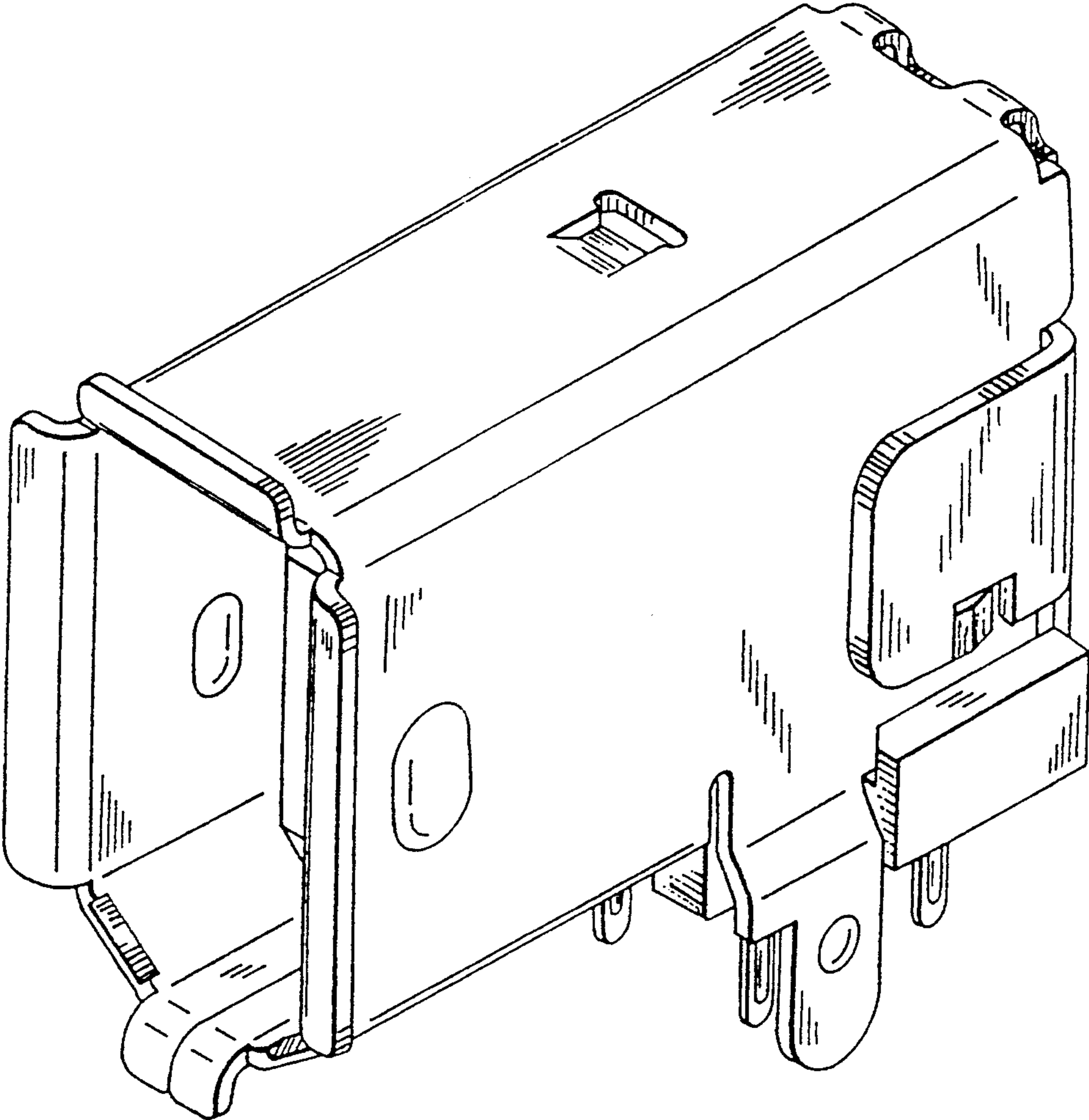


FIG. 1

FIG. 2

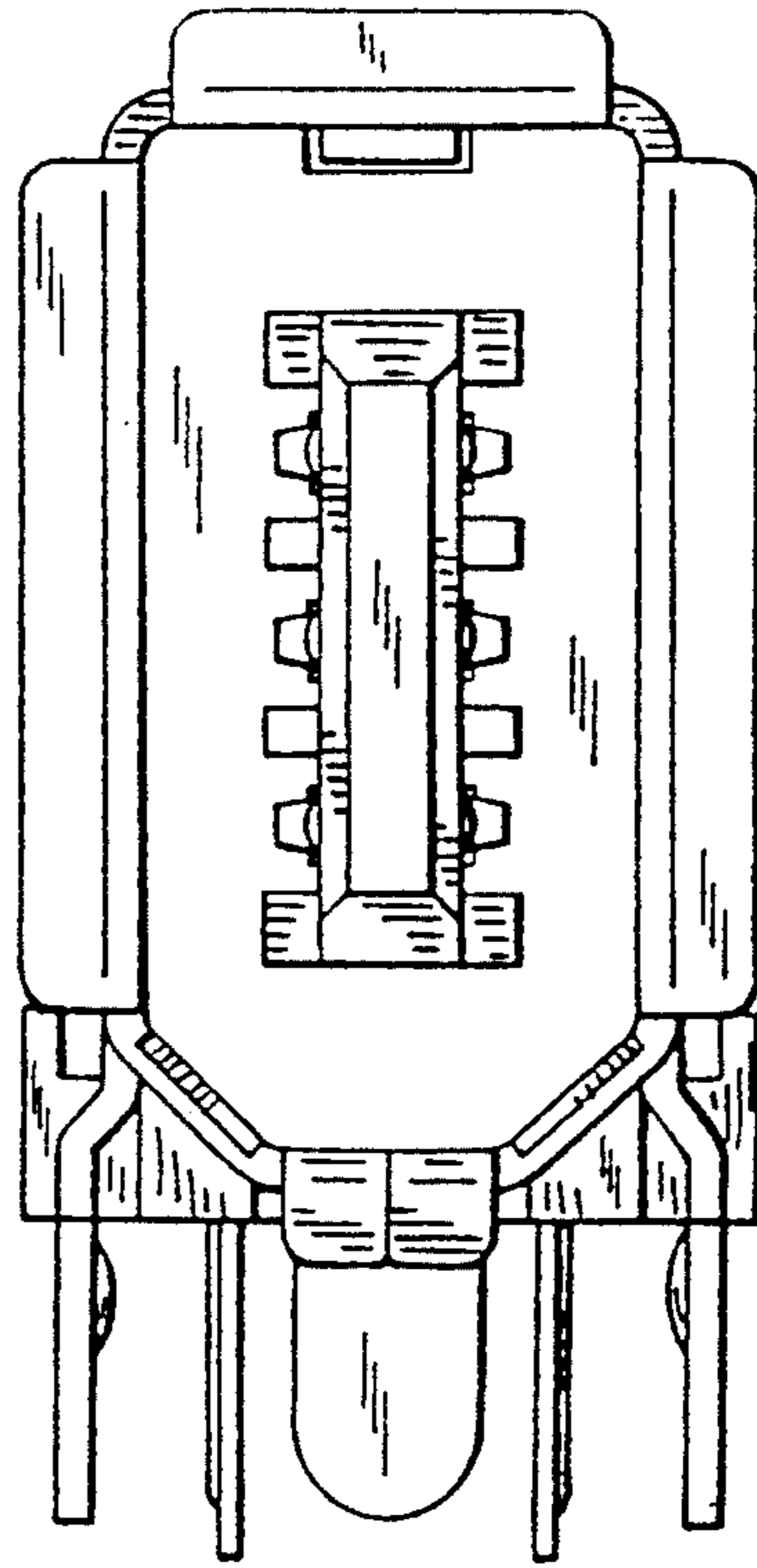
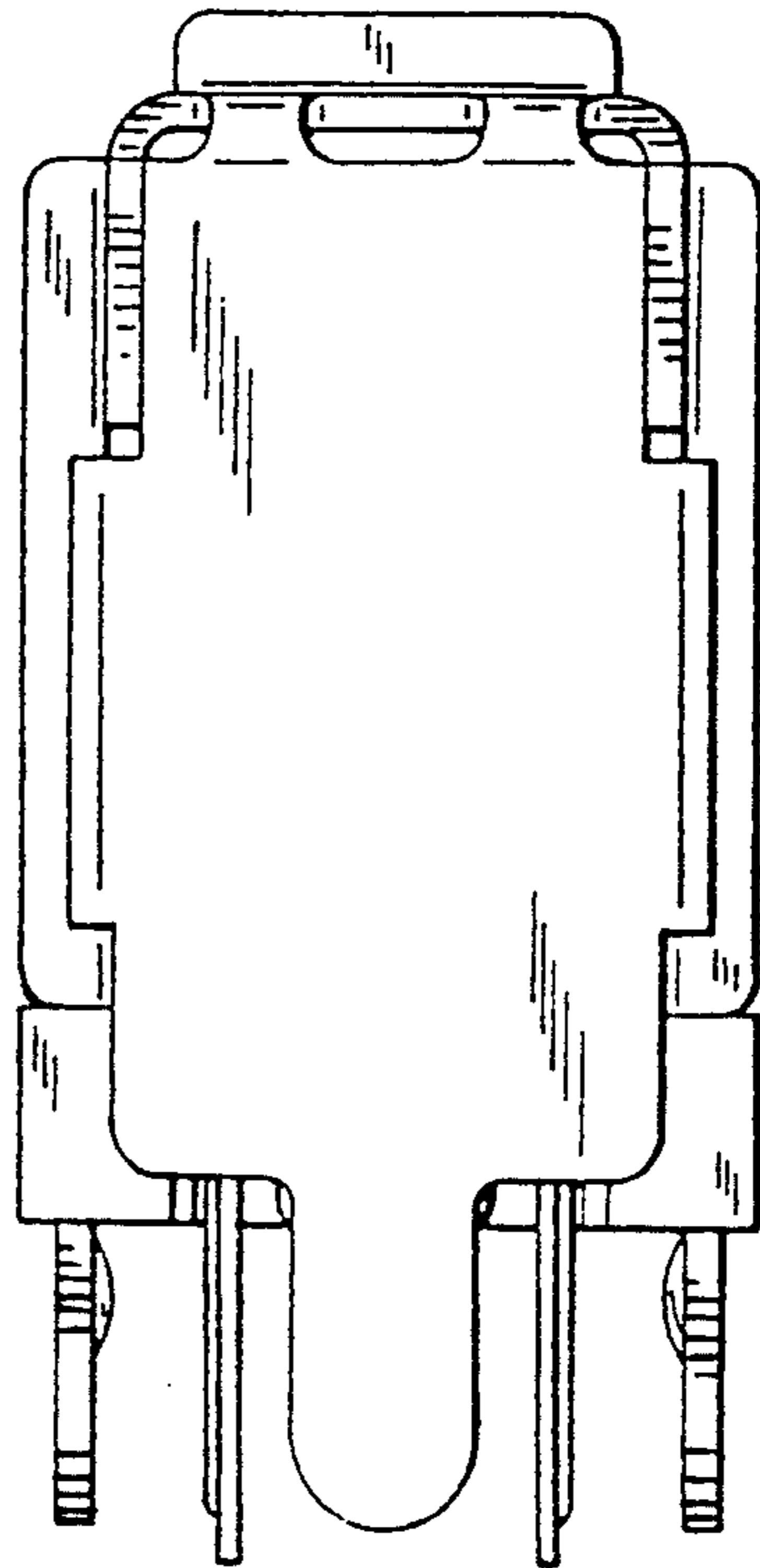


FIG. 3



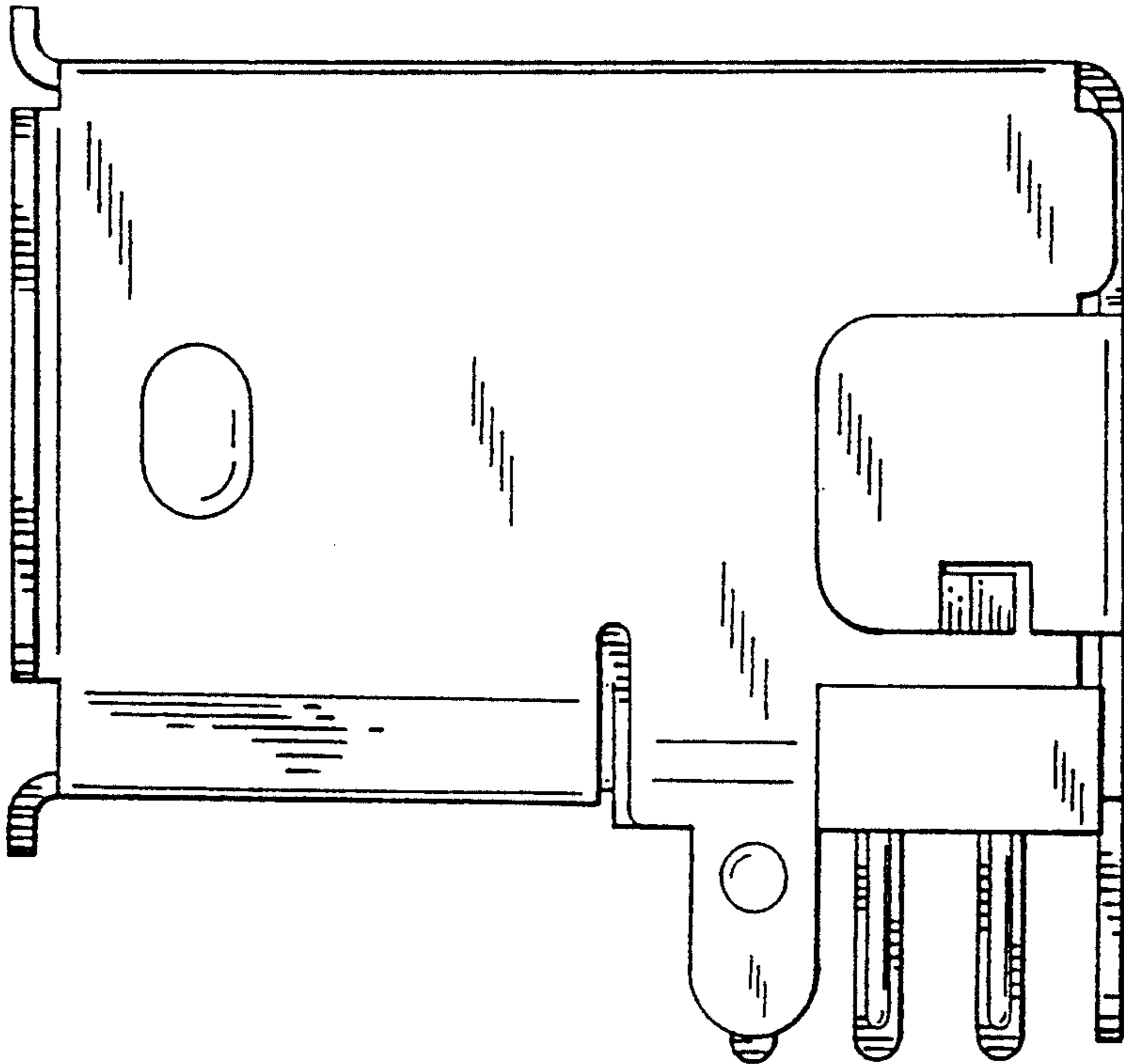


FIG. 4

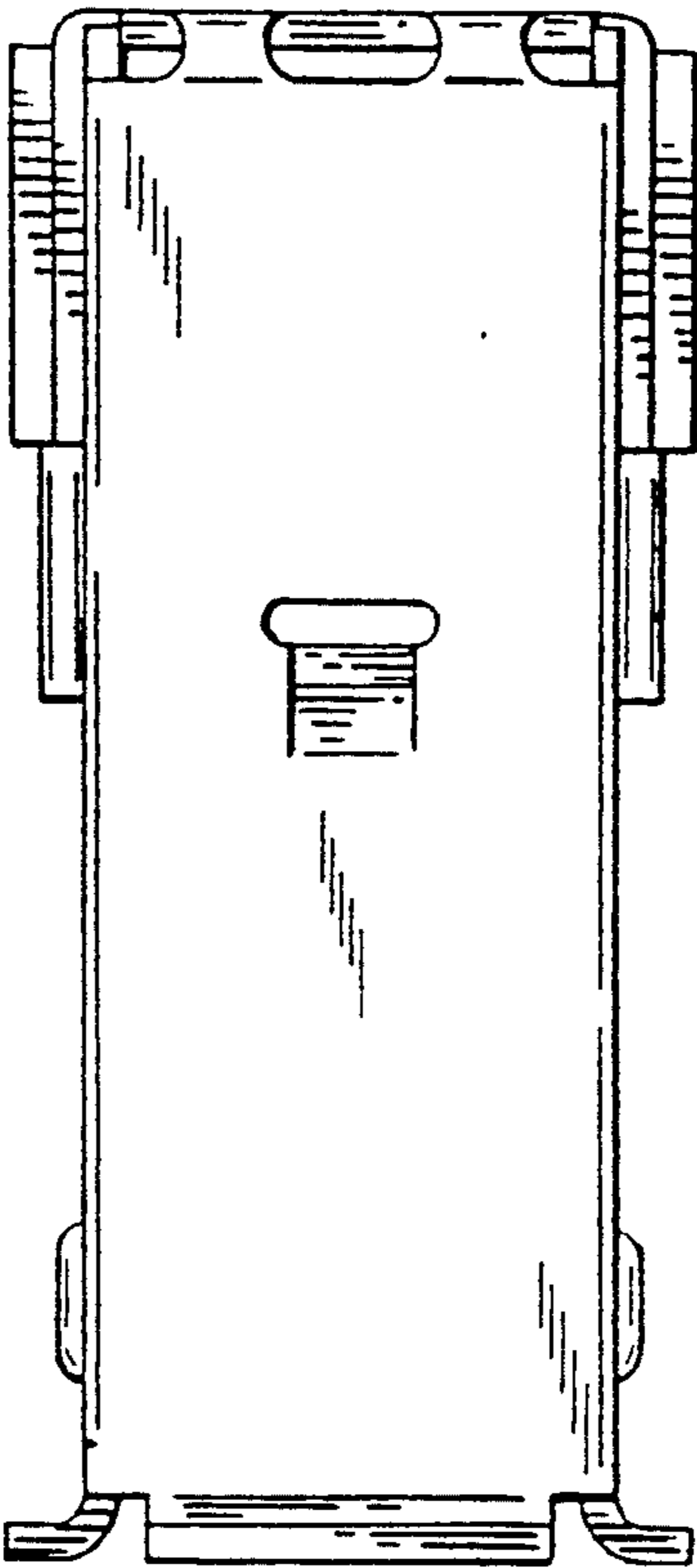


FIG. 5

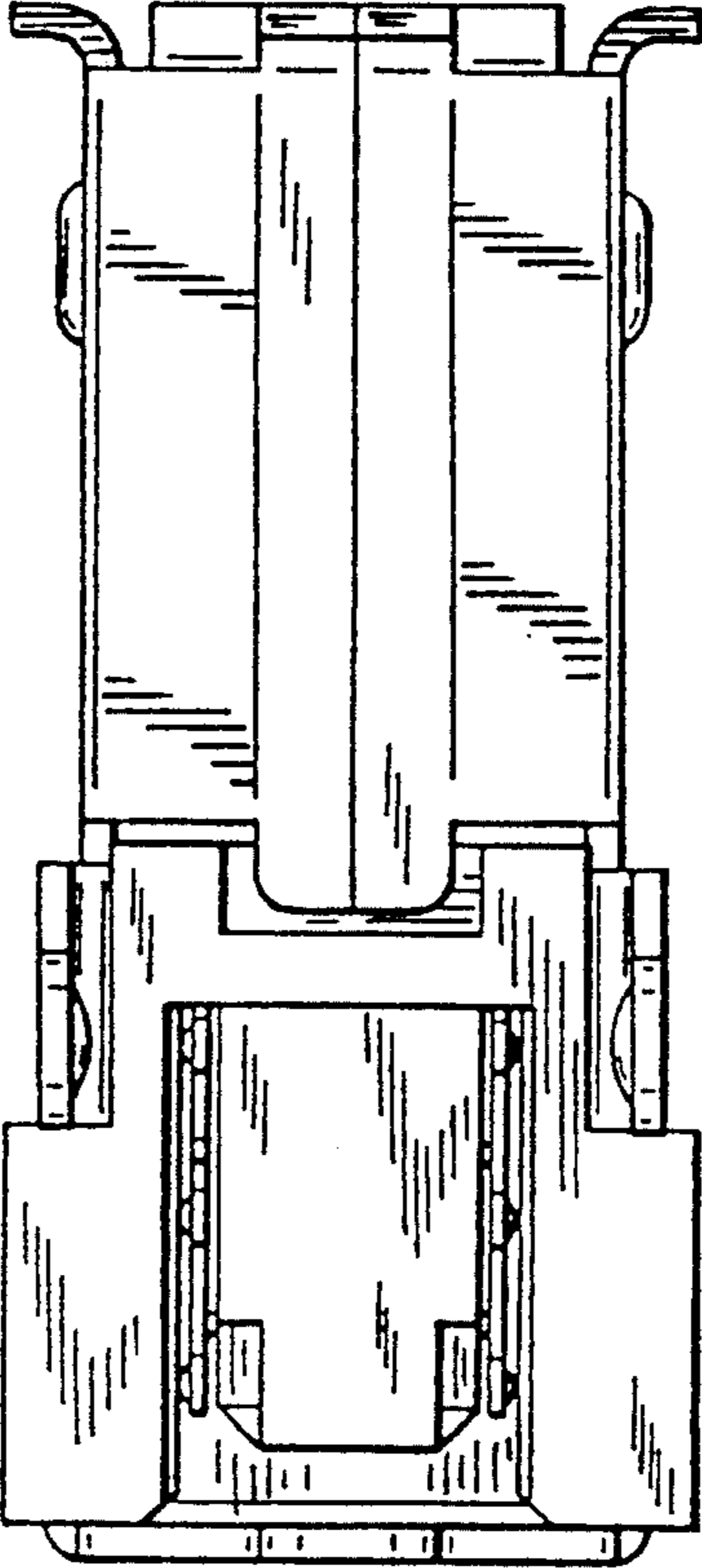


FIG. 6

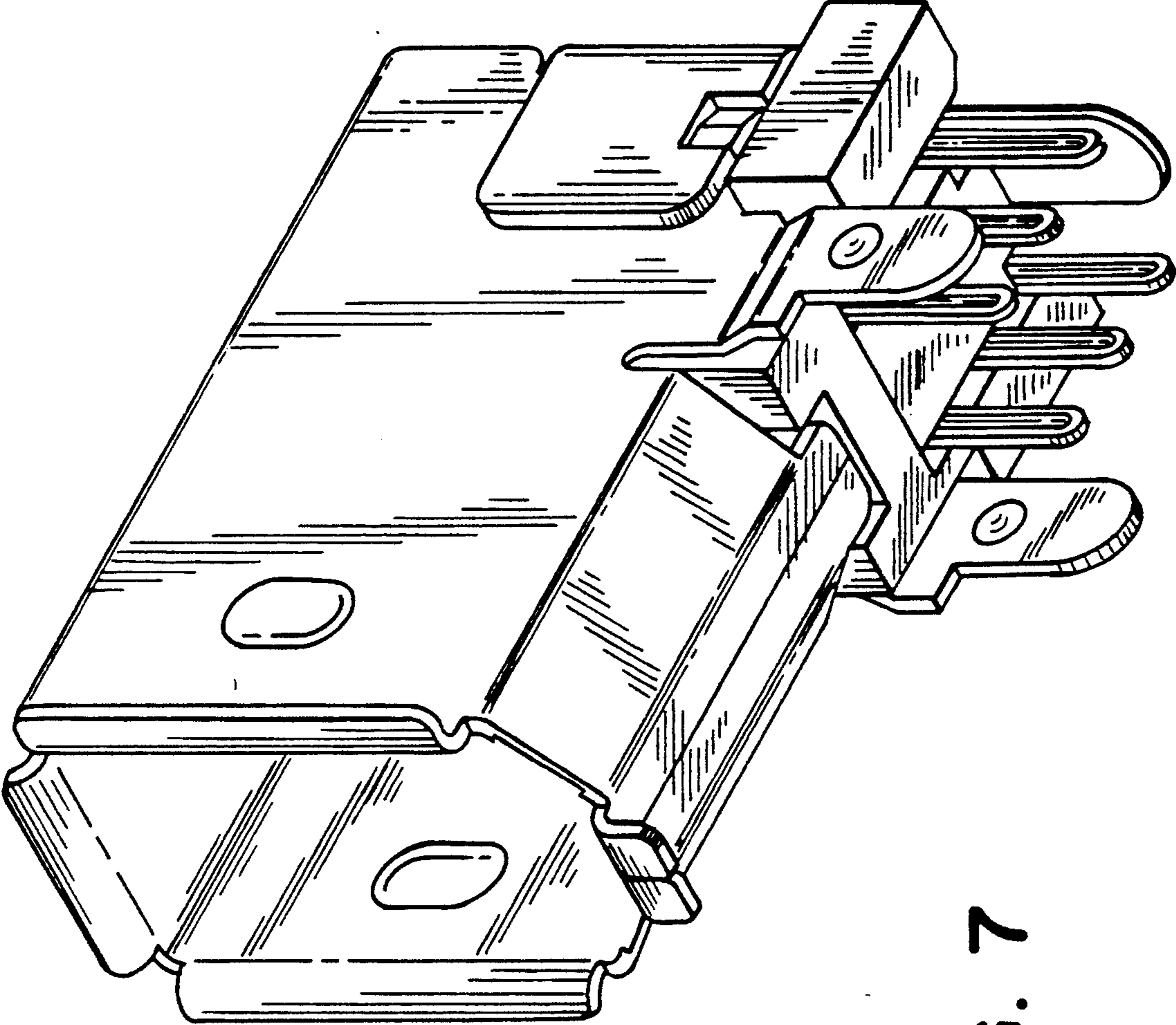


FIG. 7