



US00D345341S

United States Patent [19]

[11] Patent Number: **Des. 345,341**

Tattari et al.

[45] Date of Patent: **** Mar. 22, 1994**

[54] BATTERY ADAPTER

[75] Inventors: **Jouko Tattari, Salo; Antero Nurmi; Rauno Oksanen**, both of Halikko, all of Finland

[73] Assignee: **Nokia Mobile Phones, Ltd.**, Salo, Finland

[**] Term: **14 Years**

[21] Appl. No.: **900,828**

[22] Filed: **Jun. 18, 1992**

[52] U.S. Cl. **D13/119**

[58] Field of Search 439/500, 504; 429/98, 429/99, 100; 320/2, 4, 15; D13/107, 108, 118, 119, 120

[56] References Cited

U.S. PATENT DOCUMENTS

5,052,943 10/1991 Davis D13/108 X
5,162,716 11/1992 Tomura et al. 320/15 X

OTHER PUBLICATIONS

Mitsubishi mobile holder from general/system literature.

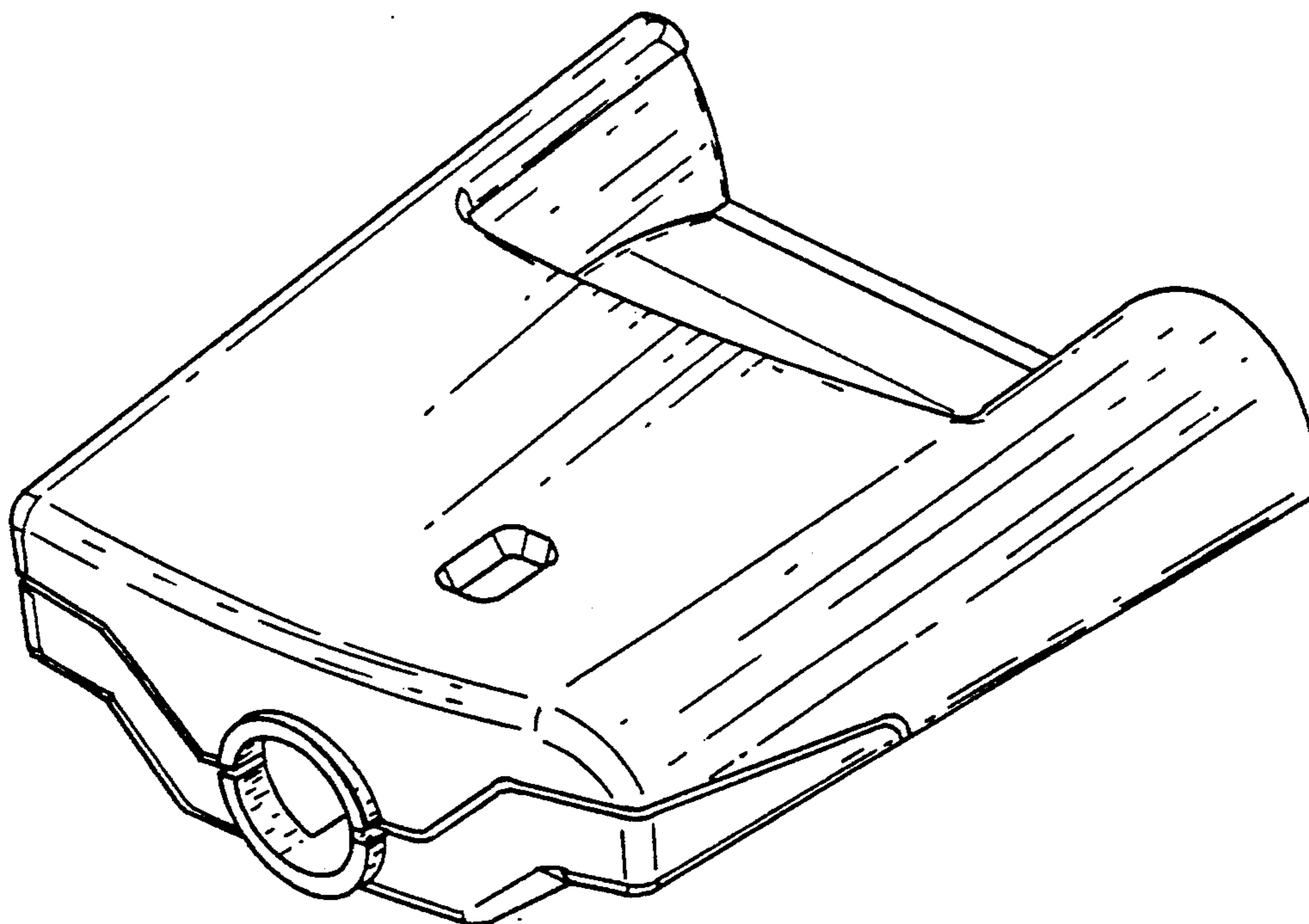
Primary Examiner—Wallace R. Burke
Assistant Examiner—J. Sincavage
Attorney, Agent, or Firm—Seed and Berry

[57] CLAIM

The ornamental design for a battery adapter, as shown and described.

DESCRIPTION

FIG. 1 is a front isometric view of a battery adapter showing our design;
FIG. 2 is a right side elevational view thereof;
FIG. 3 is a bottom plan view thereof;
FIG. 4 is a front plan view thereof;
FIG. 5 is a top plan view thereof;
FIG. 6 is a rear plan view thereof;
FIG. 7 is a left side elevational view thereof; and,
FIG. 8 is a rear isometric view thereof.



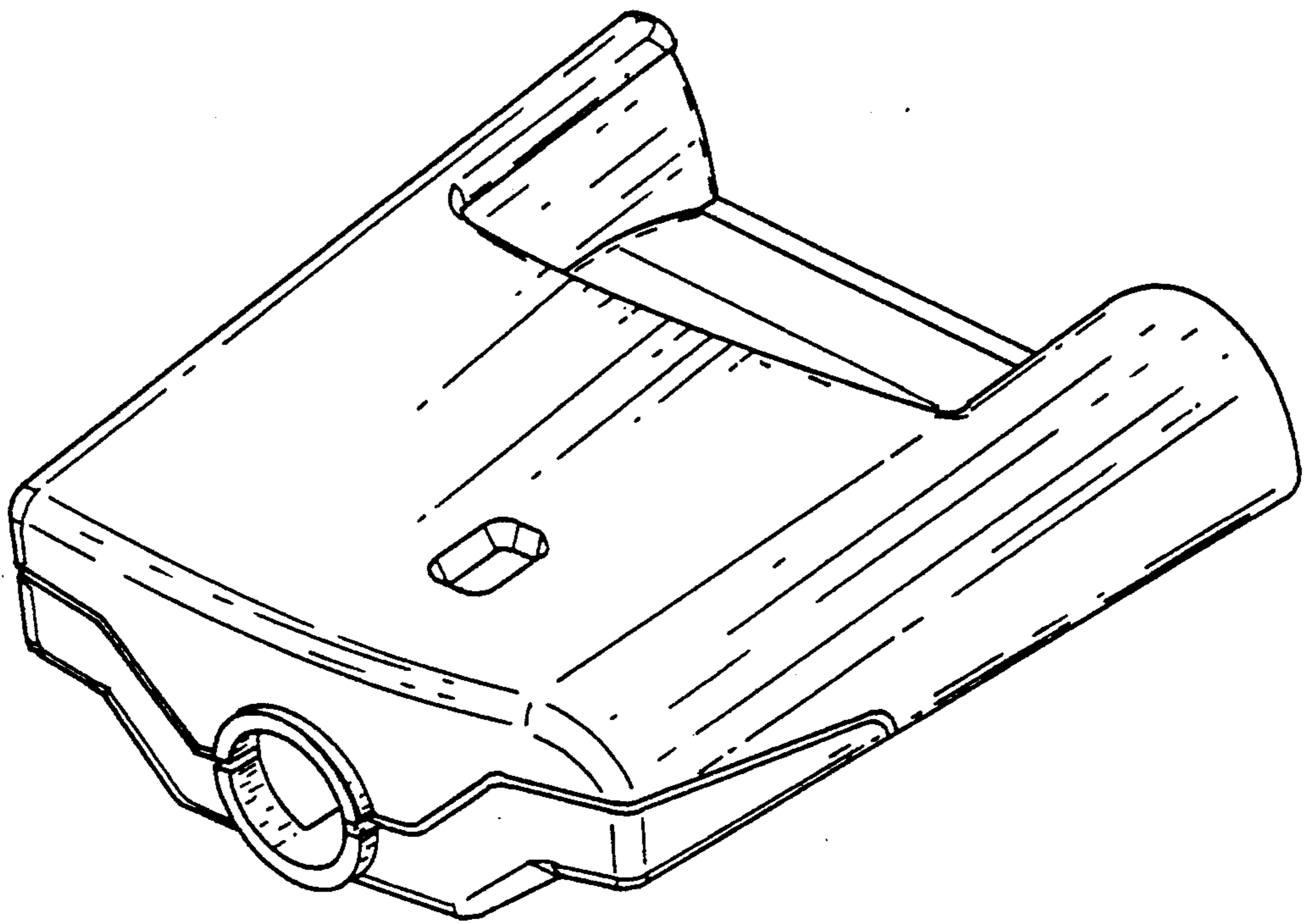


FIG. 1

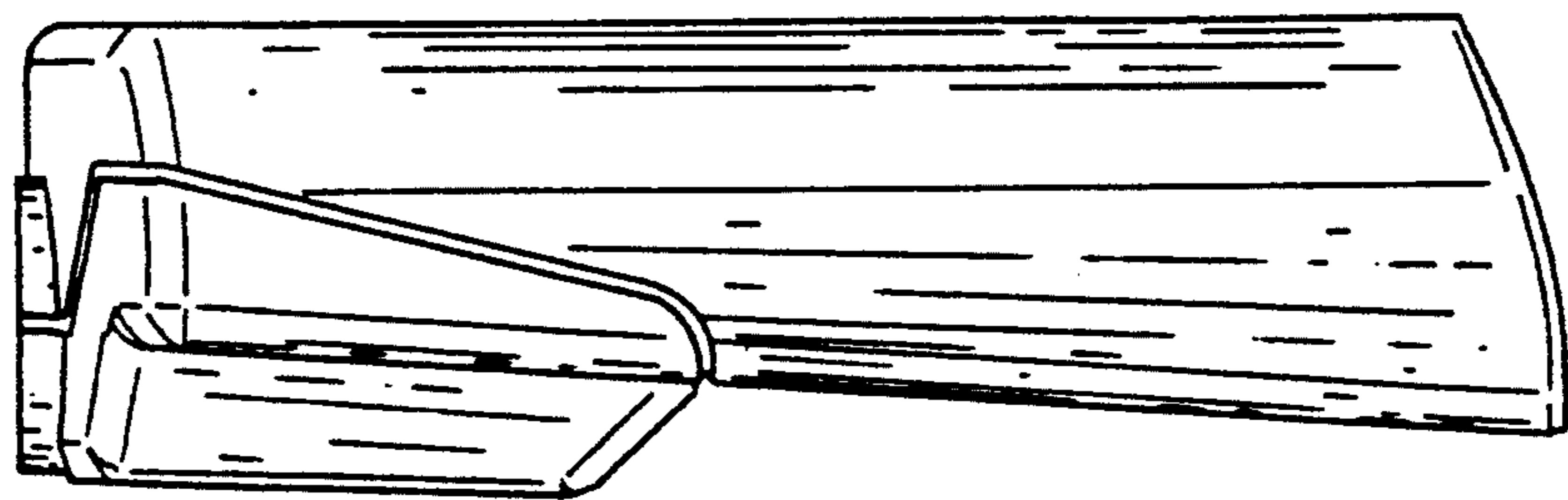


FIG. 2

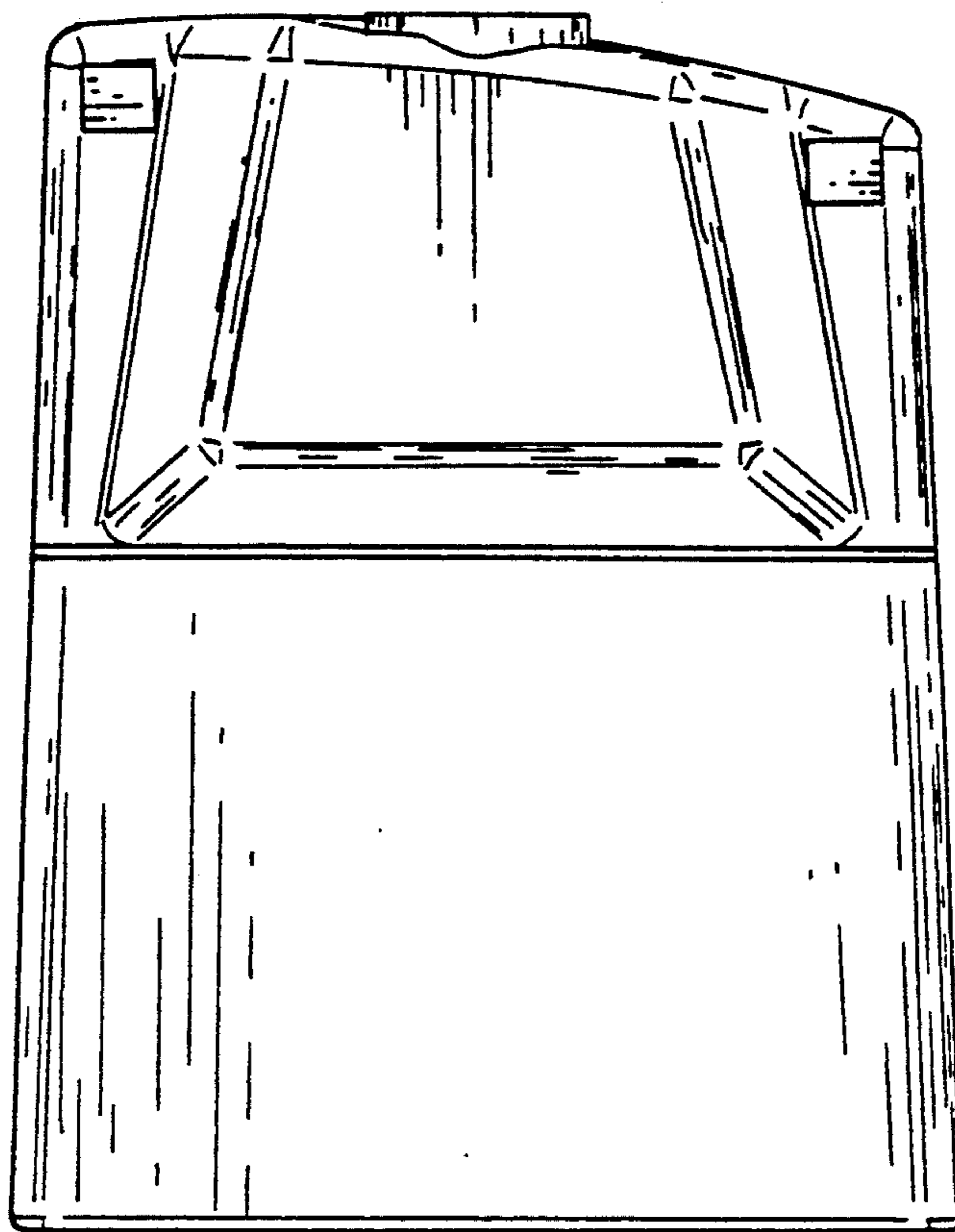


FIG. 3

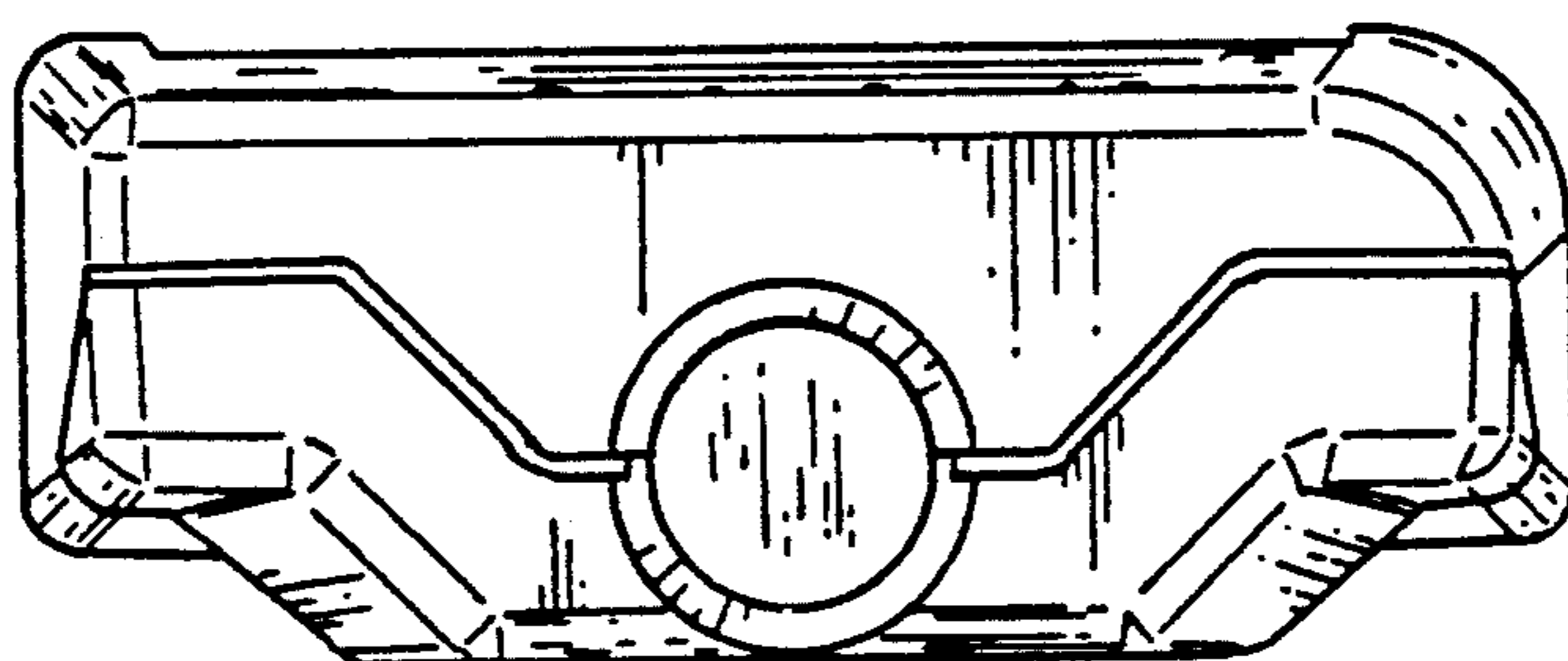


FIG. 4

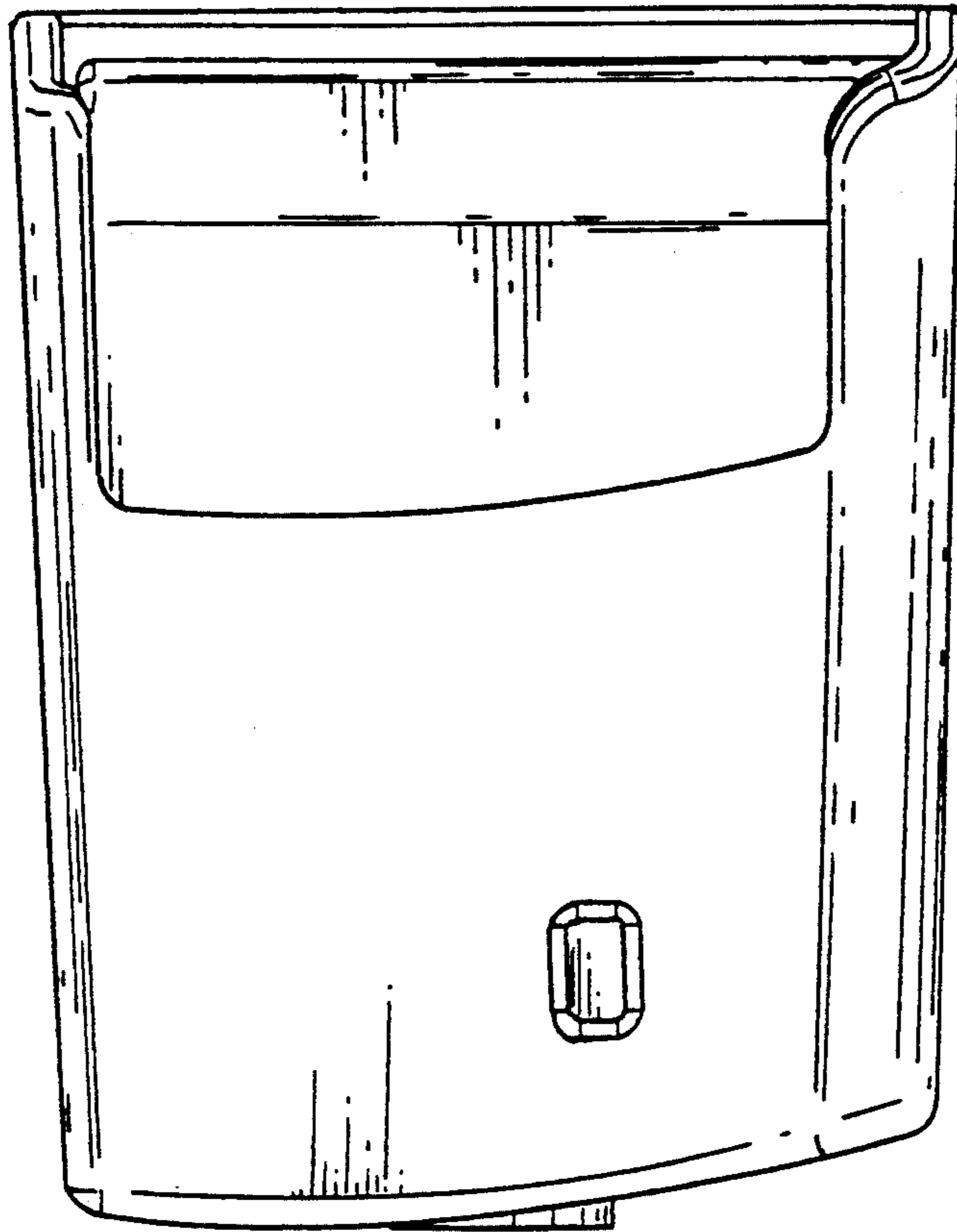


FIG. 5

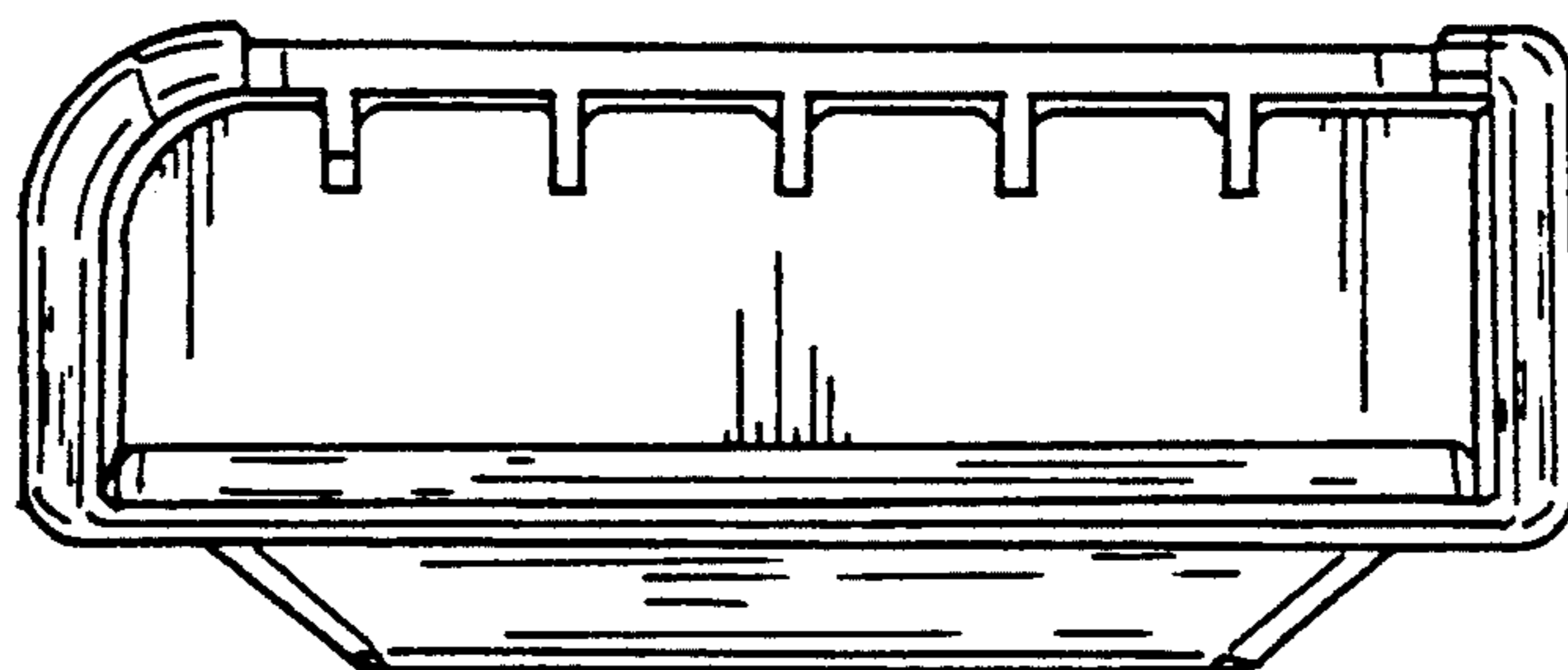


FIG. 6

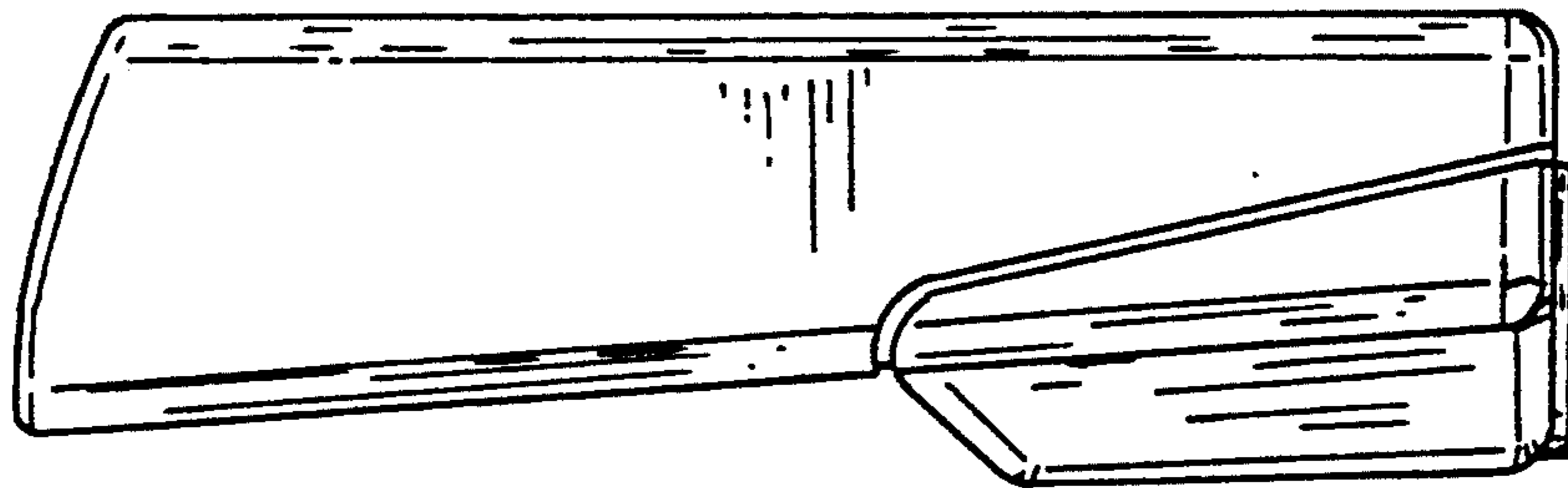


FIG. 7

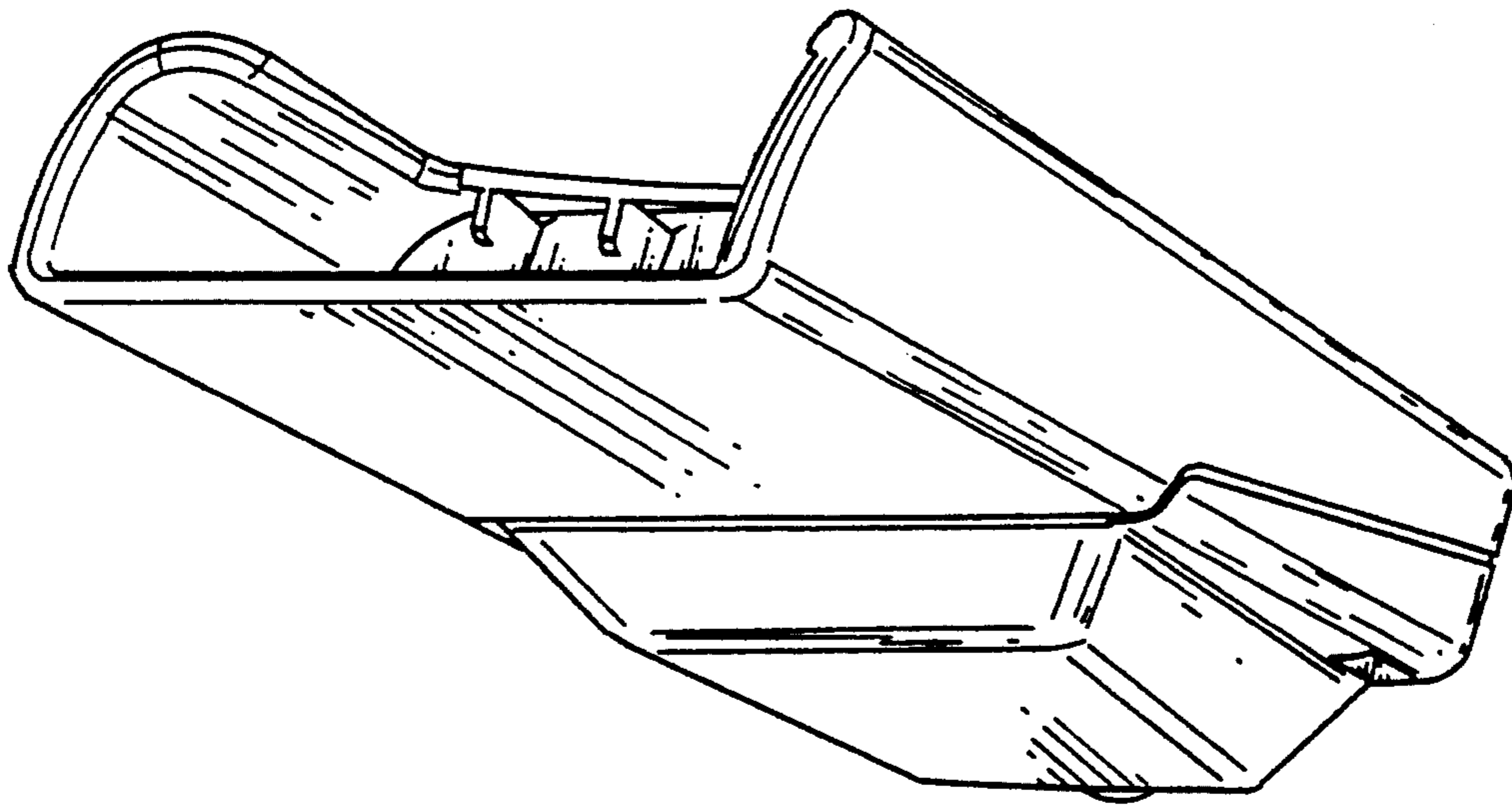


FIG. 8