



US00D345333S

United States Patent [19]

[11] Patent Number: **Des. 345,333**

Roman

[45] Date of Patent: **** Mar. 22, 1994**

- [54] **AUTOMOBILE FENDER SKIRT**
- [75] Inventor: **Jerry Roman**, Avon Lake, Ohio
- [73] Assignee: **Roman Chariot, Inc.**, Cleveland, Ohio
- [**] Term: **14 Years**
- [21] Appl. No.: **116**
- [22] Filed: **Oct. 1, 1992**
- [52] U.S. Cl. **D12/184**
- [58] Field of Search 280/152.1, 848, 849, 280/851; D12/184, 190

Primary Examiner—Wallace R. Burke
Assistant Examiner—Melody Brown
Attorney, Agent, or Firm—Fay, Sharpe, Beall, Fagan, Minnich & McKee

[57] **CLAIM**

The ornamental design for an automobile fender skirt, as shown and described.

DESCRIPTION

FIG. 1 is a front elevational view of an automobile fender skirt showing my new design;
 FIG. 2 is a side elevational view thereof;
 FIG. 3 is a side elevational view thereof;
 FIG. 4 is an opposite side elevational view thereof;
 FIG. 5 is a rear elevational view thereof; and,
 FIG. 6 is a bottom plan view thereof.
 The broken lines shown in FIGS. 1, 2, 3, 5 and 6 showing the associate automobile and the flange of the automobile fender skirt is for illustrative purposes only and forms no part of the claimed design.

- [56] **References Cited**
- U.S. PATENT DOCUMENTS**
- D. 299,019 12/1988 McKenyon D12/184
- D. 321,160 10/1991 Kingsley D12/184
- D. 321,161 10/1991 Ueno D12/184
- 2,832,609 4/1958 Buckenhizer 280/848

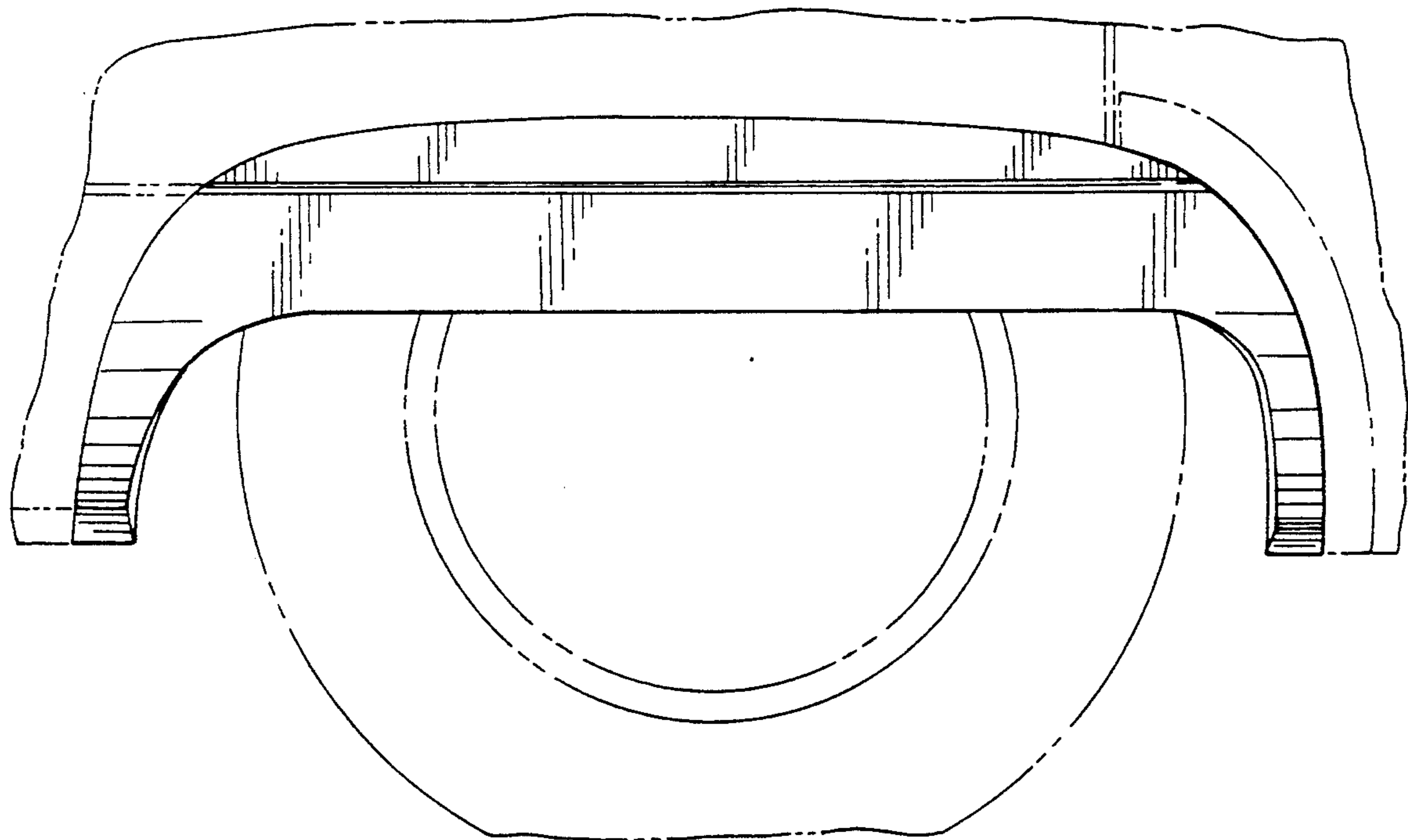


FIG. 4

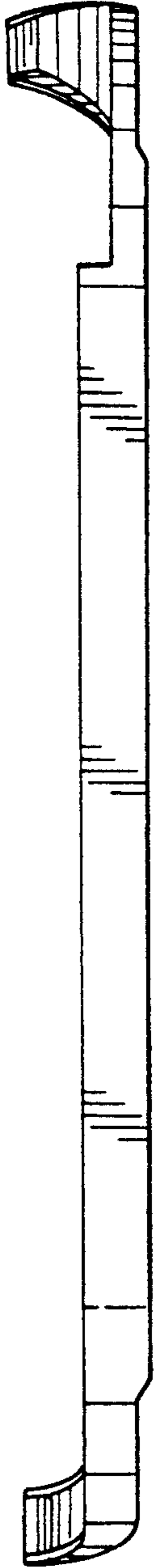


FIG. 2

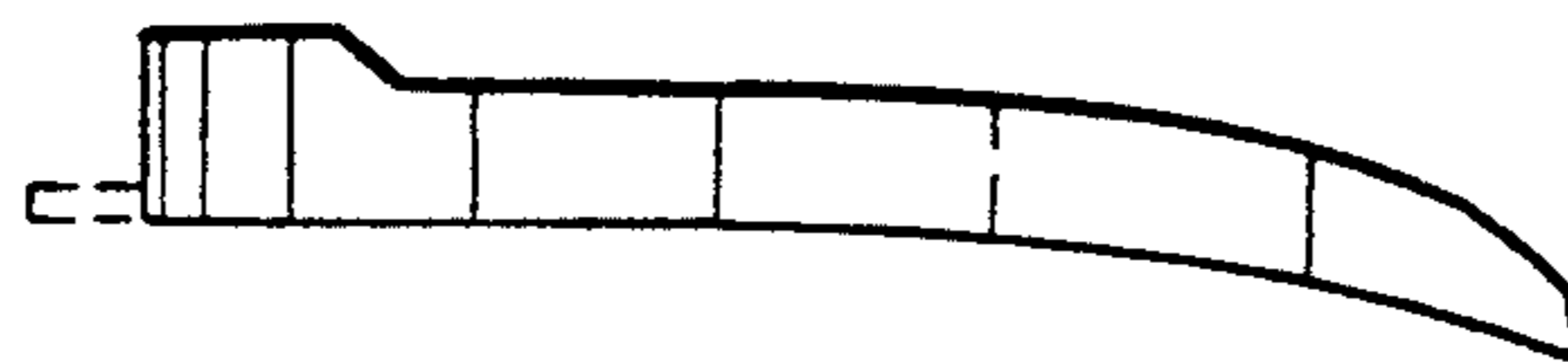


FIG. 3

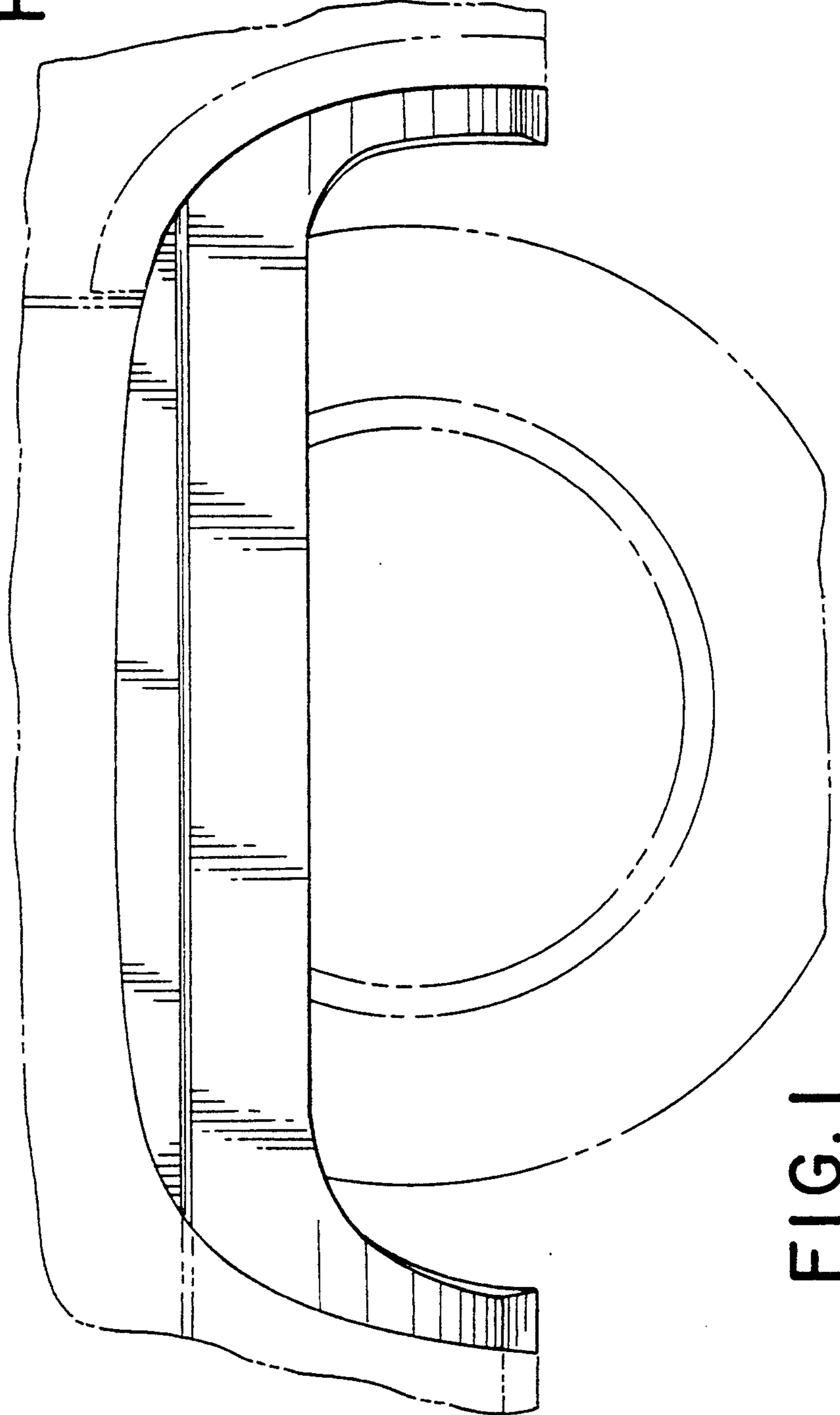
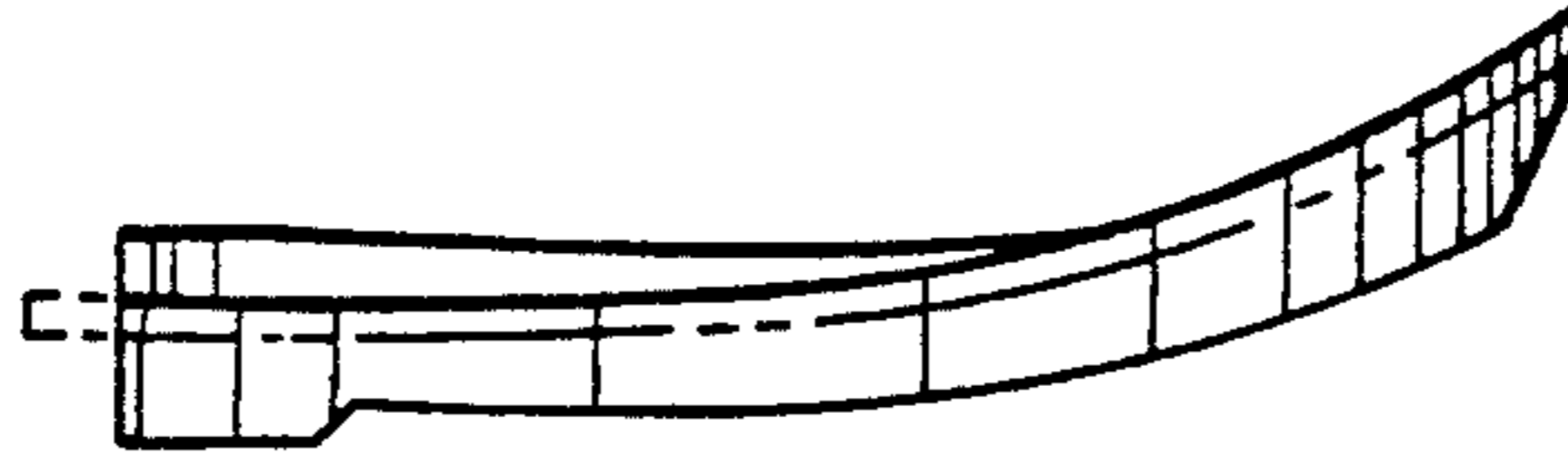


FIG. 1



FIG. 5

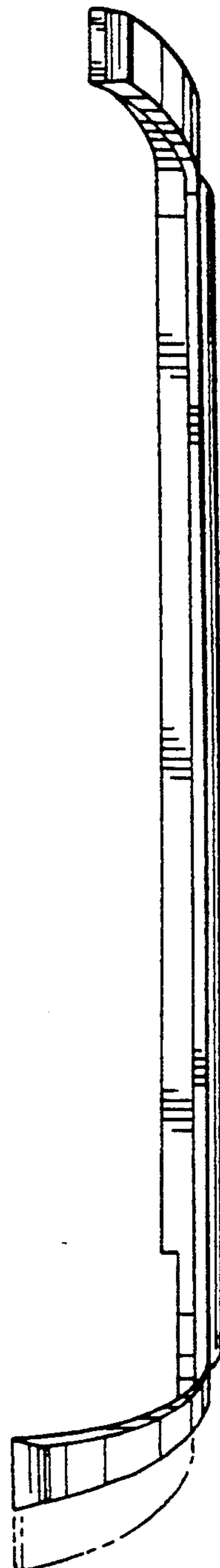


FIG. 6