



US00D345331S

United States Patent [19]

[11] Patent Number: **Des. 345,331**

Smith

[45] Date of Patent: **** Mar. 22, 1994**

[54] **MOVABLE TRUCK MOUNTED LIGHT SYSTEM**

5,121,306 1/1992 Palmisano 362/80

[76] Inventor: **Lee Smith, Rte. 1, Box 178, Hartselle, Ala. 35640**

[**] Term: **14 Years**

[21] Appl. No.: **1,430**

[22] Filed: **Nov. 13, 1992**

[52] U.S. Cl. **D12/222; D26/35**

[58] Field of Search 362/61, 74, 80, 80.1, 362/82, 83, 83.3; 280/756; 296/99.1, 1.1, 102; D26/28-36; D12/156, 181

OTHER PUBLICATIONS

J. C. Whitney Auto Assessories Catalog, p. 68, Cab Extender/Roof-Top Spoiler.

Primary Examiner—Susan J. Lucas
Attorney, Agent, or Firm—Terry M. Gernstein

[57] CLAIM

The ornamental design for a movable truck mounted light system, as shown and described.

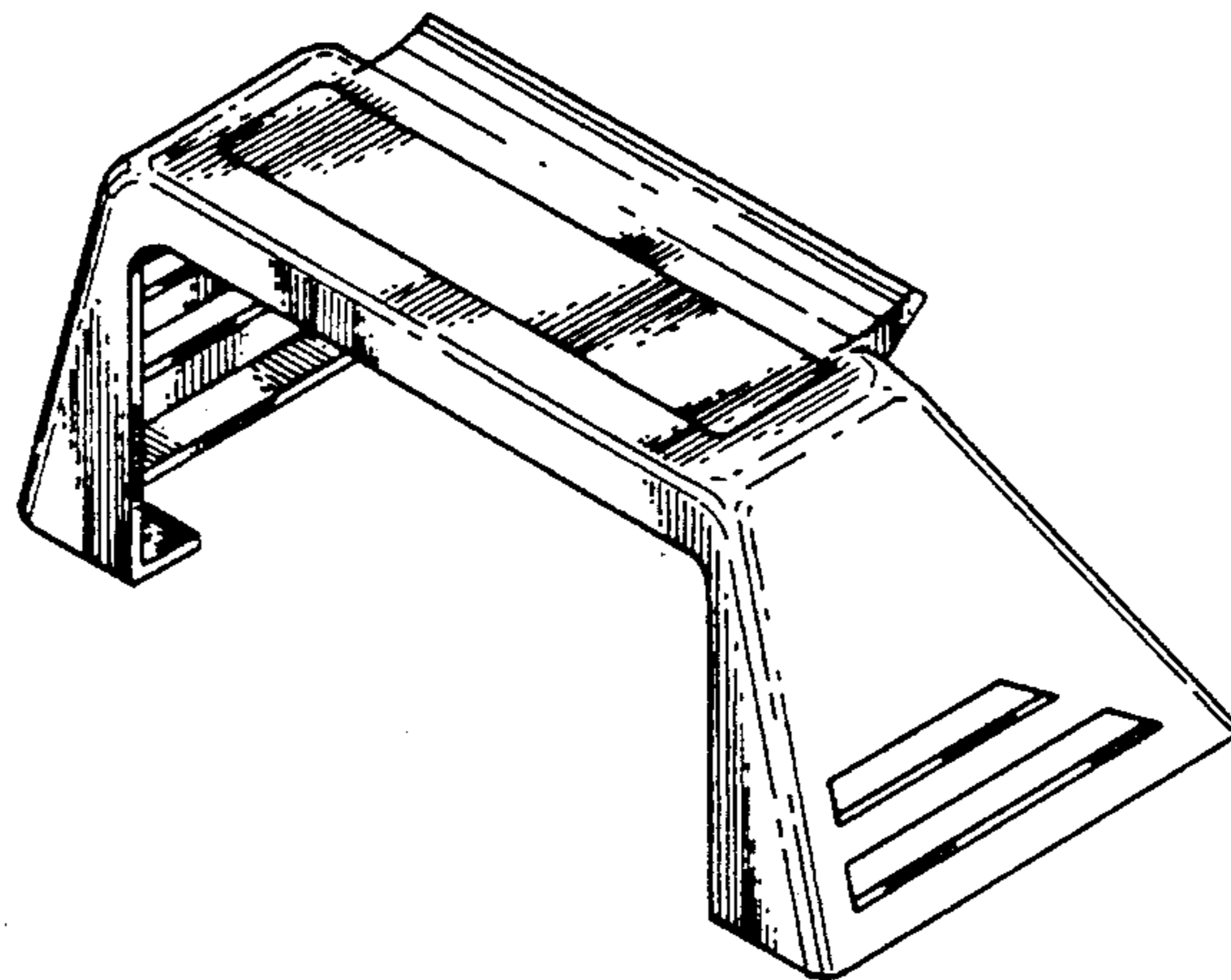
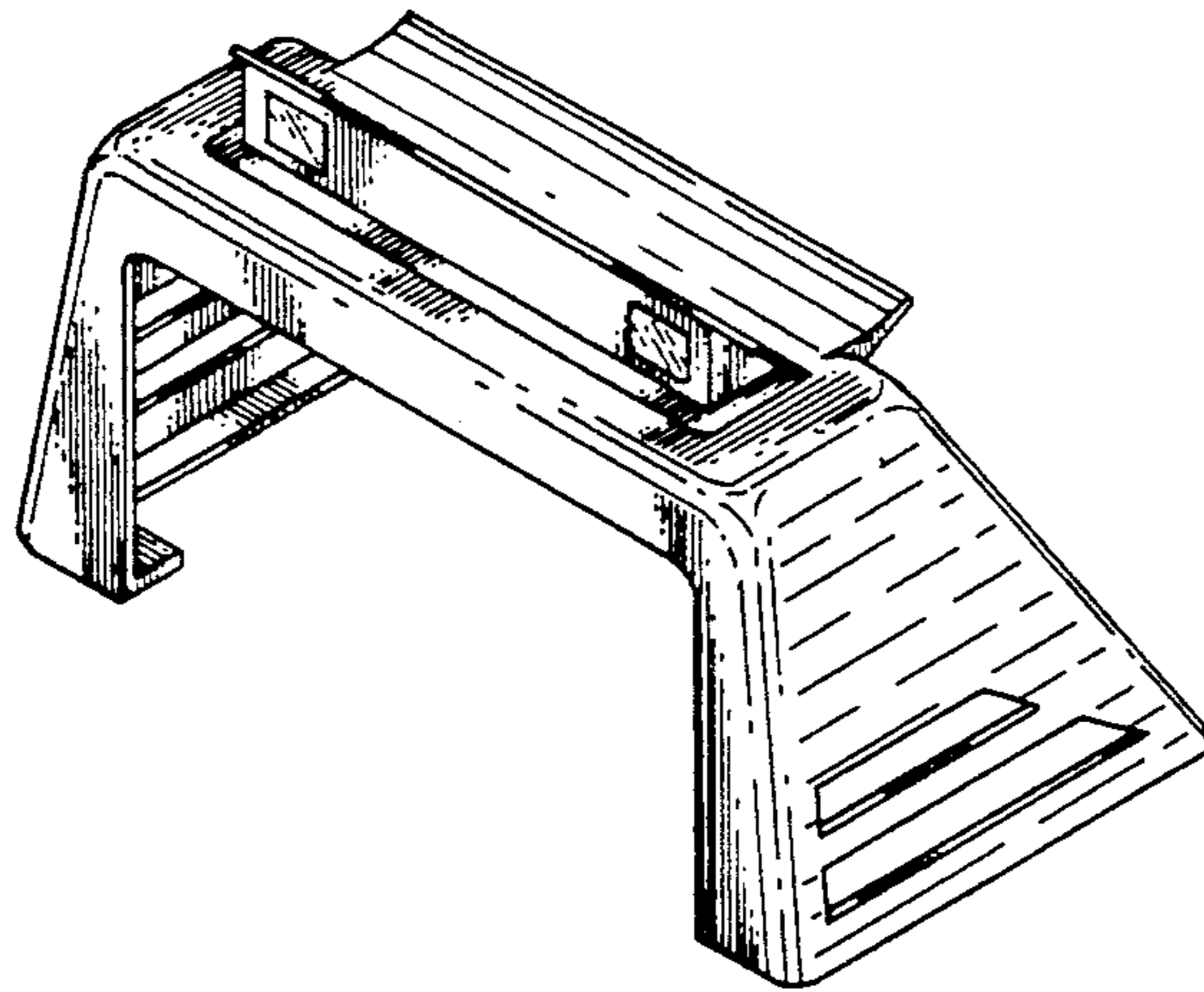
DESCRIPTION

FIG. 1 is a top, side and front perspective view of the movable truck mounted light system showing my new design in the open condition; FIG. 2 is a front elevational view thereof; FIG. 3 is a rear elevational view thereof; FIG. 4 is a side elevational view thereof, the side opposite being a mirror image of the side shown in FIG. 4; FIG. 5 is a top plan view thereof; FIG. 6 is a bottom plan view thereof; and, FIG. 7 is a top, side and front perspective view thereof in the closed condition.

[56] References Cited

U.S. PATENT DOCUMENTS

D. 295,084	4/1988	Weber	D12/156 X
D. 305,633	1/1990	Kingsley	D12/156
D. 306,848	3/1990	Macor	D12/156
3,107,865	10/1963	Hostetter	.	
4,630,029	12/1986	Hayward	.	
4,707,014	11/1987	Rich	.	
4,893,221	1/1990	Friedman	.	



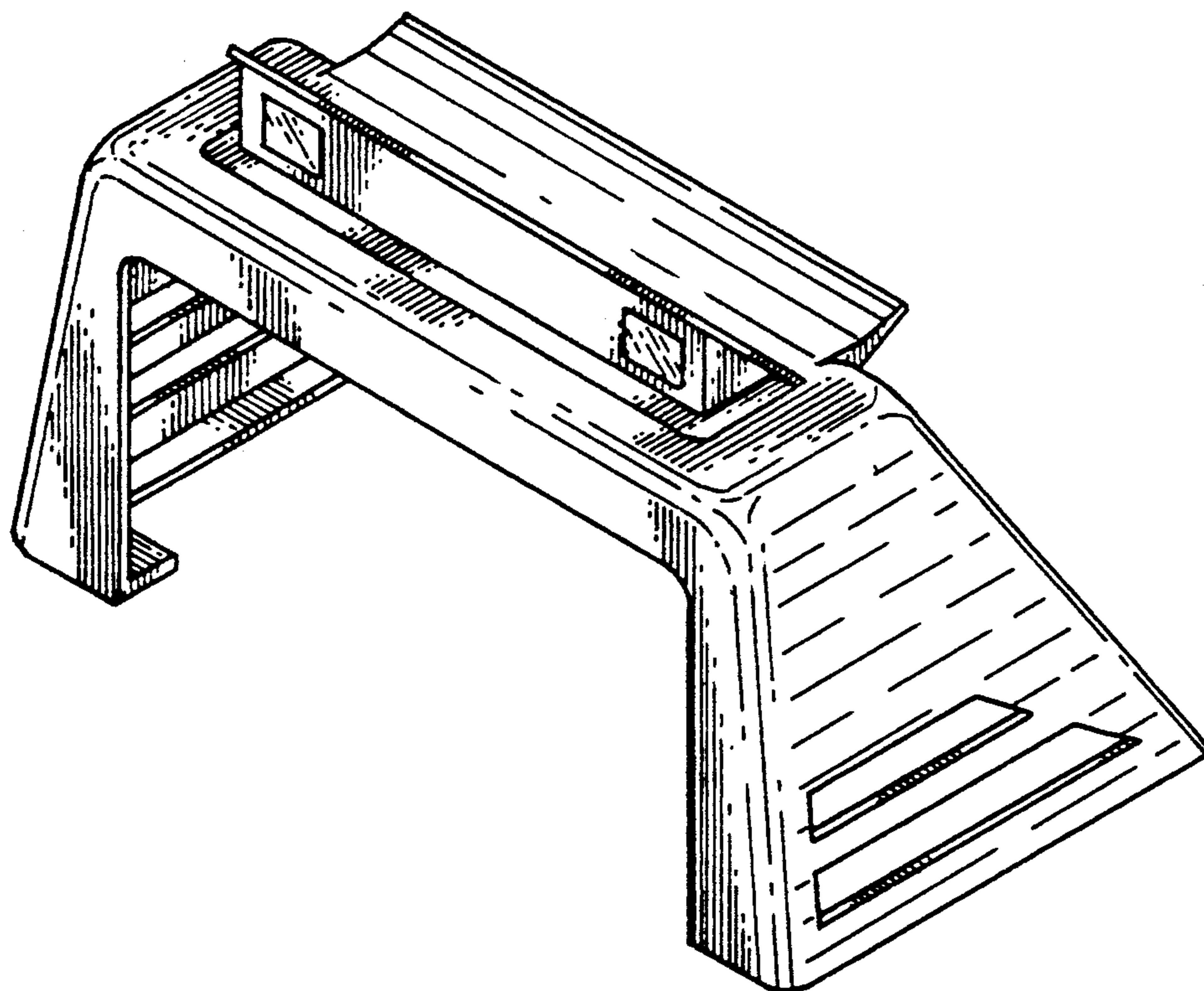


FIG. 1

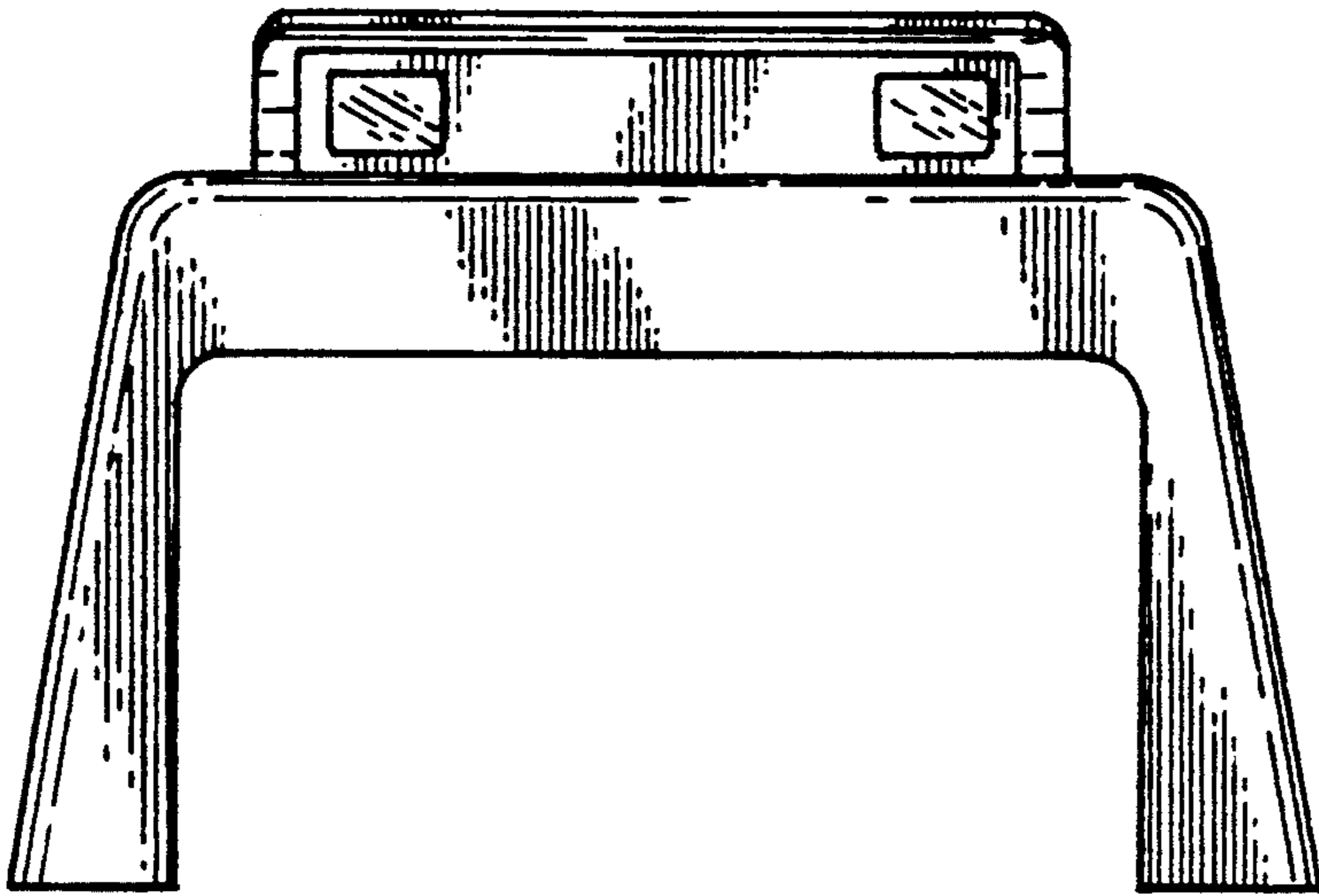


FIG. 2

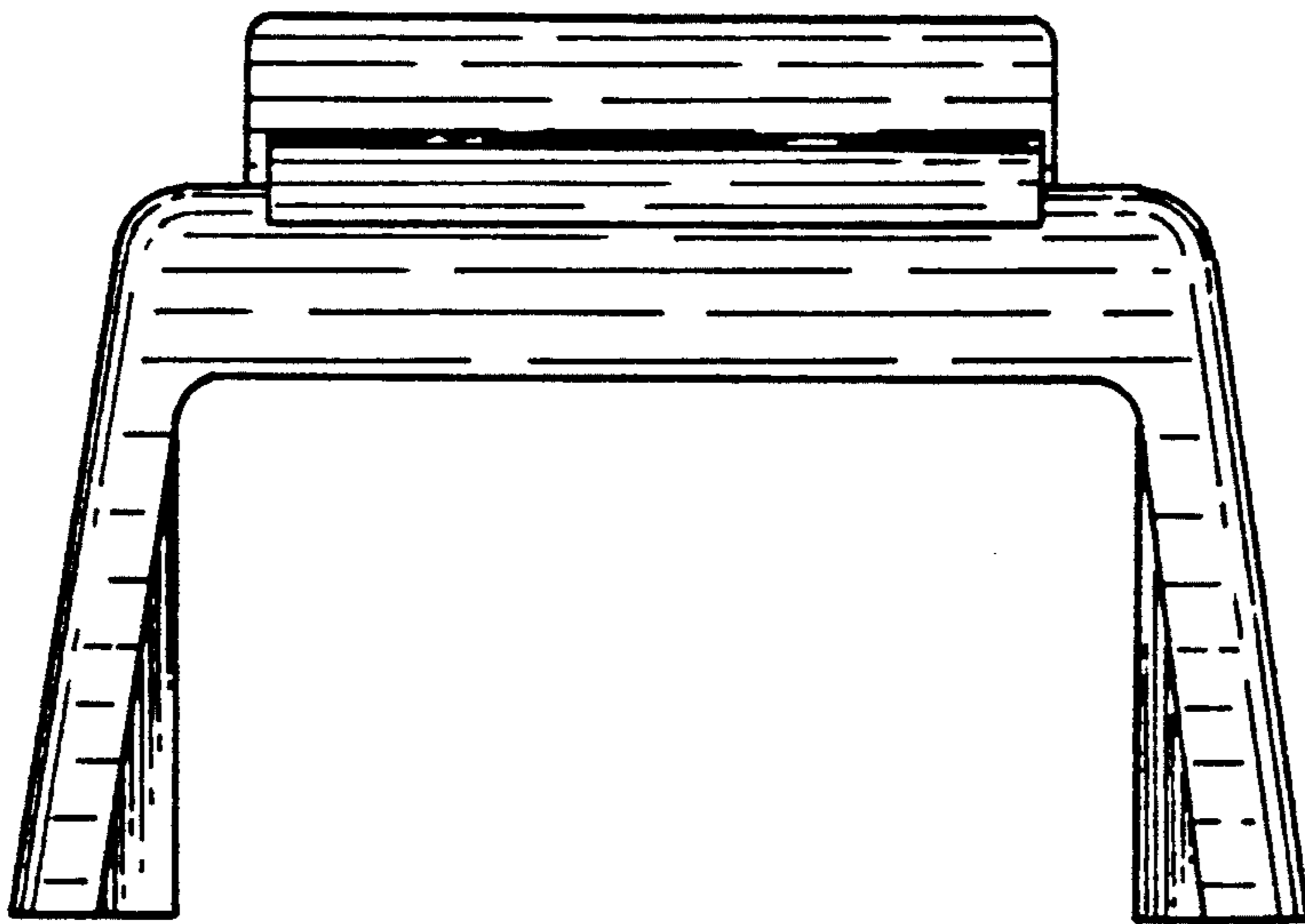


FIG. 3

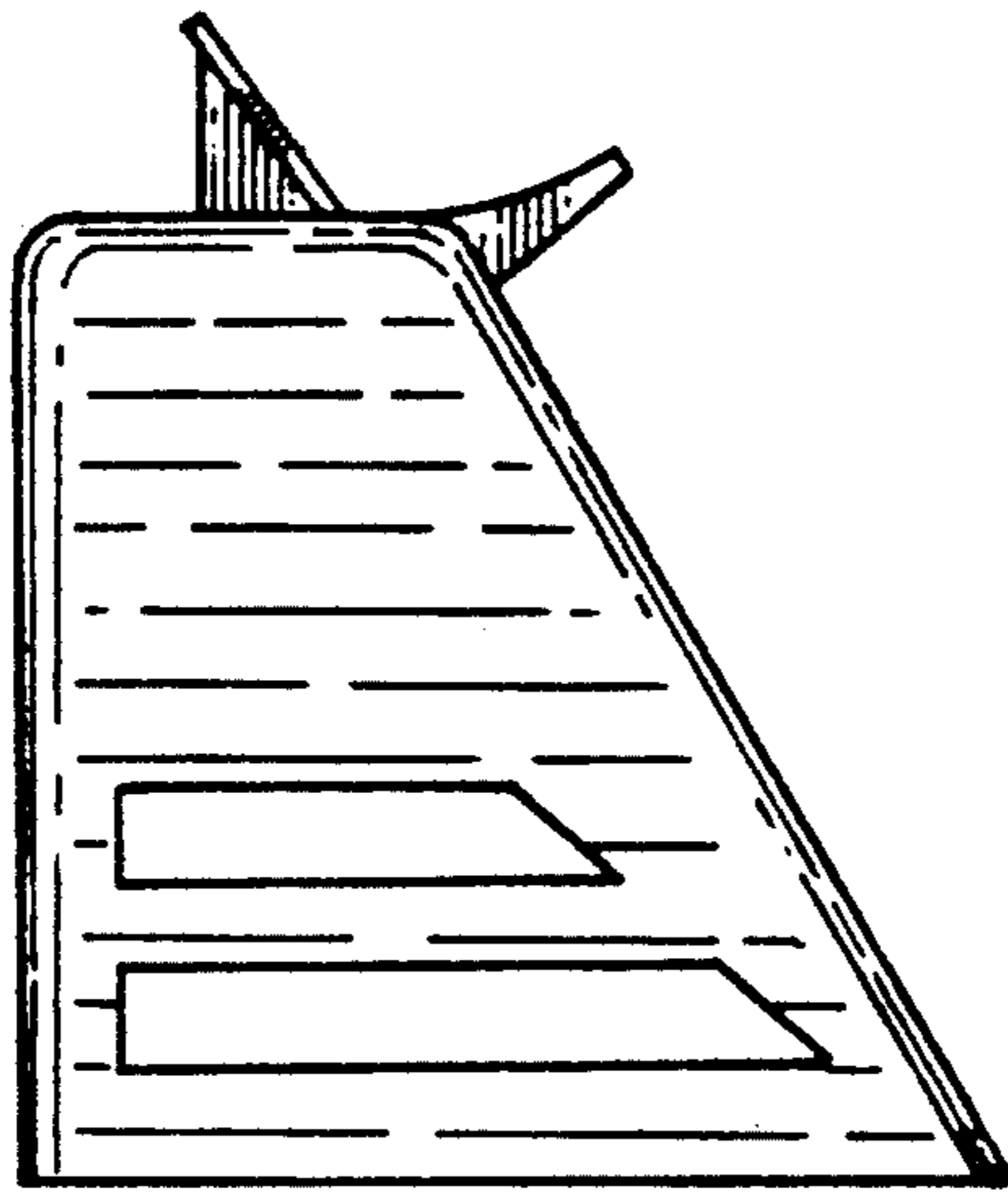


FIG. 4

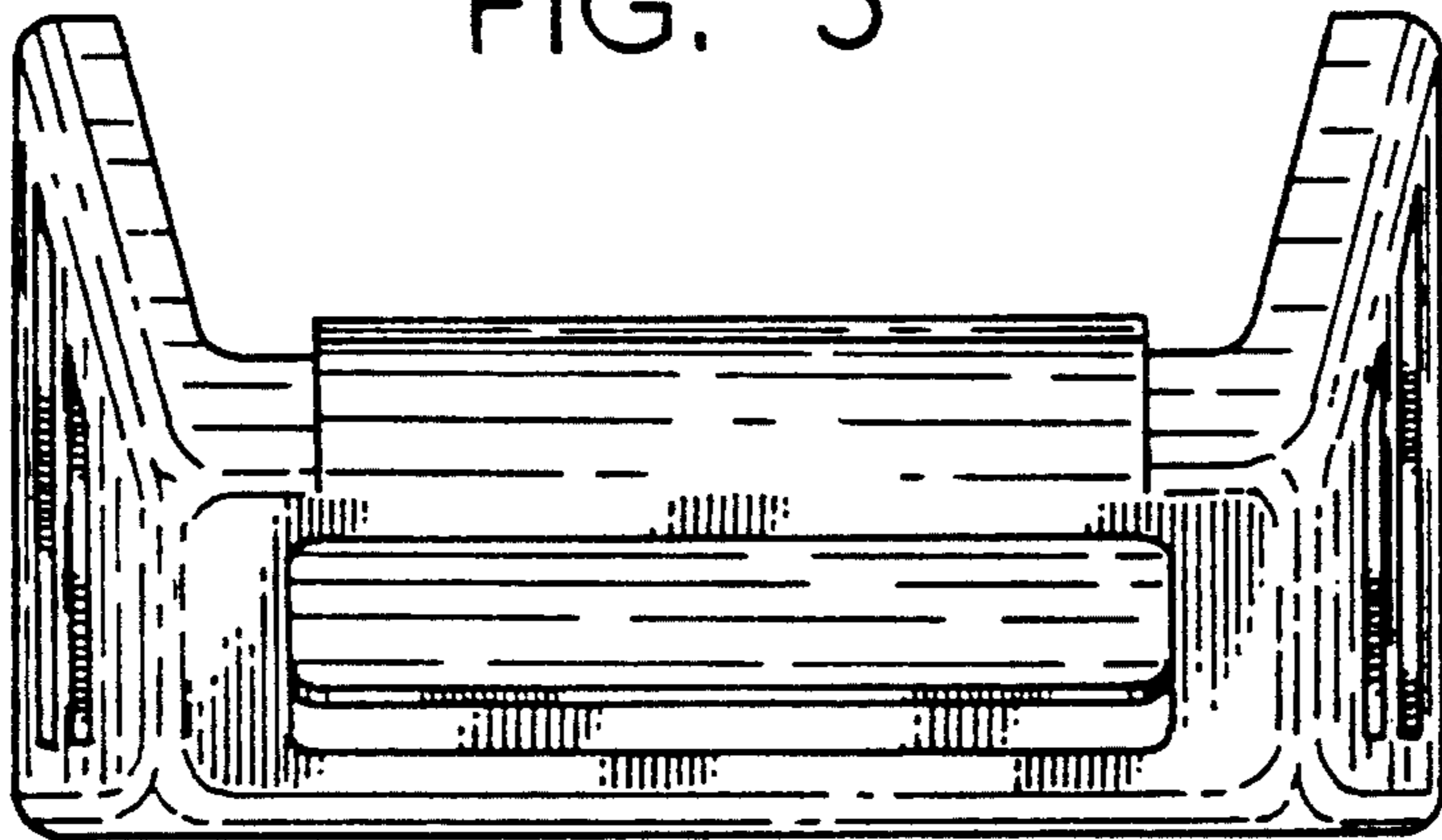


FIG. 5

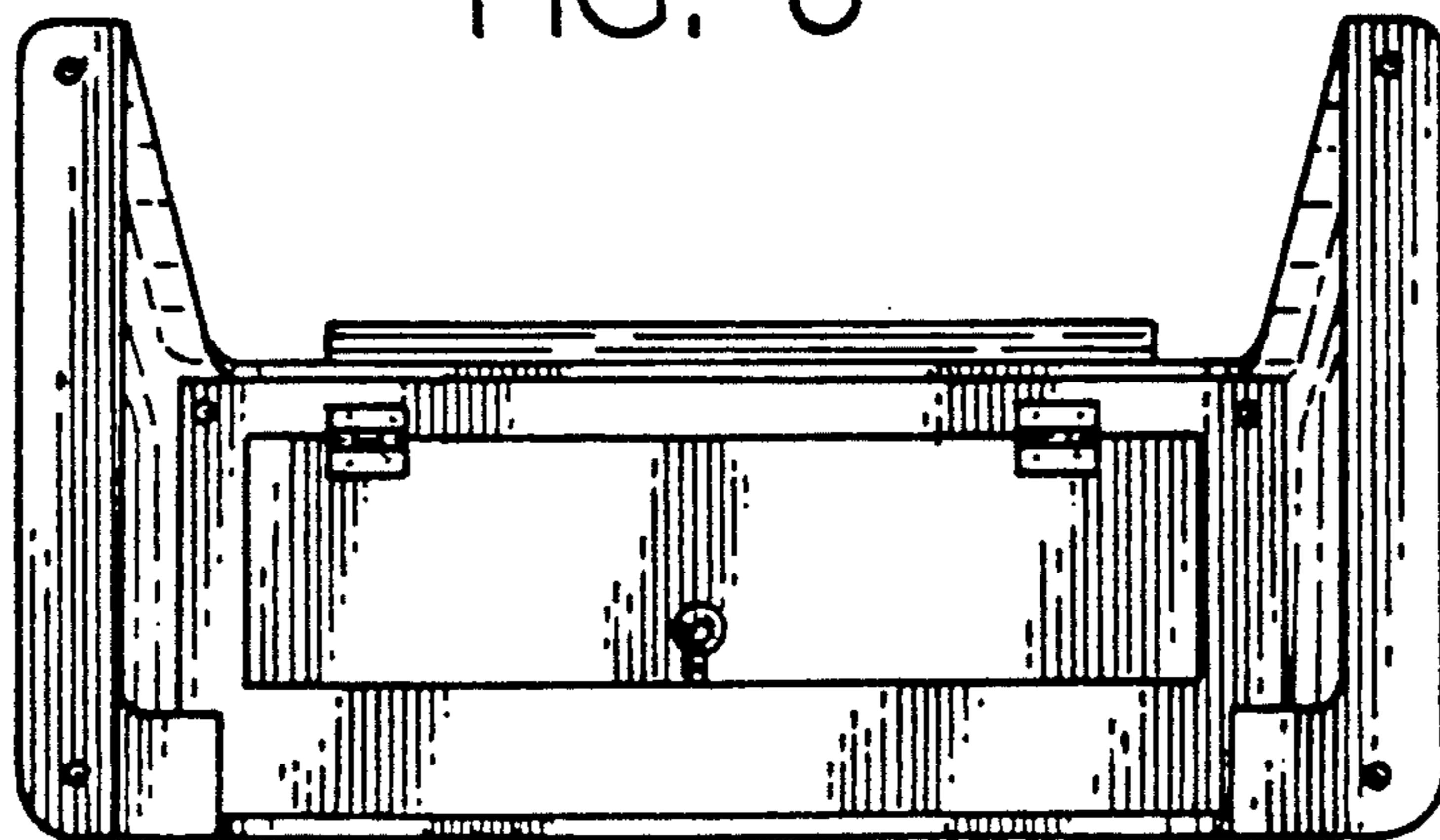


FIG. 6

FIG. 7

