



US00D345326S

# United States Patent [19]

[11] Patent Number: **Des. 345,326**

Liu

[45] Date of Patent: **\*\* Mar. 22, 1994**

[54] **UPPER FRAME OF BABY CART**

*Attorney, Agent, or Firm—Varndell Legal Group*

[76] Inventor: **Kun-Hei Liu**, 2F, No. 32, Lane 200,  
Tung Hwa Street, Taipei, Taiwan

[57] **CLAIM**

The ornamental design for an upper frame of baby cart,  
as shown and described.

[\*\*] Term: **14 Years**

**DESCRIPTION**

[21] Appl. No.: **915,964**

FIG. 1 is a perspective view of an upper frame of baby cart showing my new design;  
FIG. 2 is a front elevational view thereof;  
FIG. 3 is a right side elevation thereof;  
FIG. 4 is a top plan view thereof;  
FIG. 5 is a bottom plan view thereof;  
FIG. 6 is a rear elevational view thereof;  
FIG. 7 is a left side elevation thereof;  
FIG. 8 is a front perspective view thereof, the broken lines of cart is illustrative purposes only and form no part of the claimed design; and,  
FIG. 9 is a front elevational view thereof with the cart in collapsed condition.

[22] Filed: **Jul. 21, 1992**

[52] U.S. Cl. .... **D12/133; D12/129**

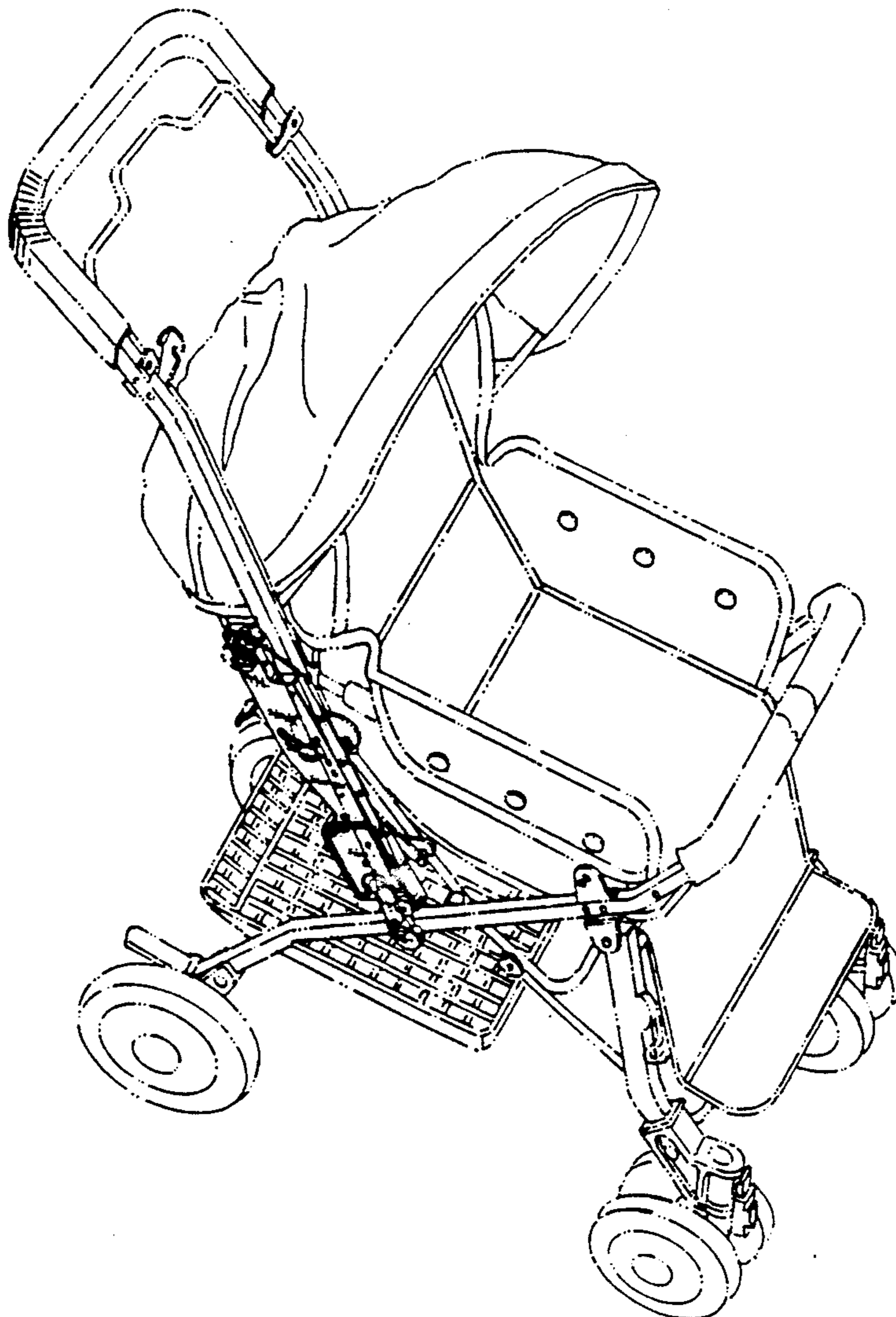
[58] Field of Search ..... **280/642, 650, 47.4, 280/643, 647; D12/133, 129, 130**

[56] **References Cited**

**U.S. PATENT DOCUMENTS**

2,886,337	5/1959	Quisenberry	.....	280/650
5,143,398	9/1992	Teng	.....	280/642
5,205,577	4/1993	Liu	.....	280/642

*Primary Examiner—Kay H. Chin*



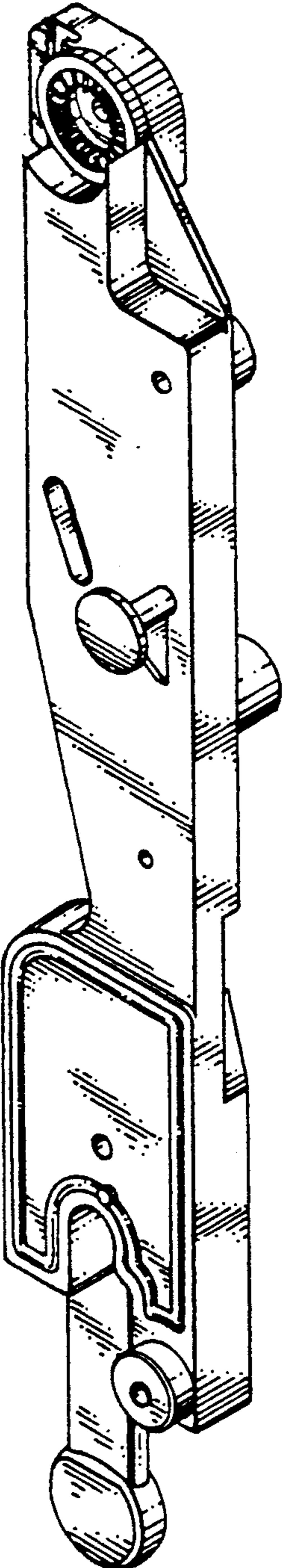


Fig . 1

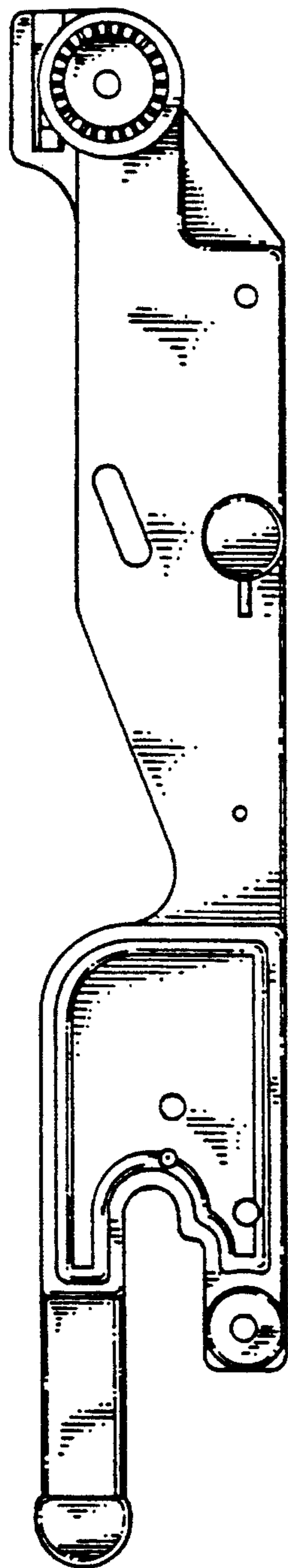


Fig. 2

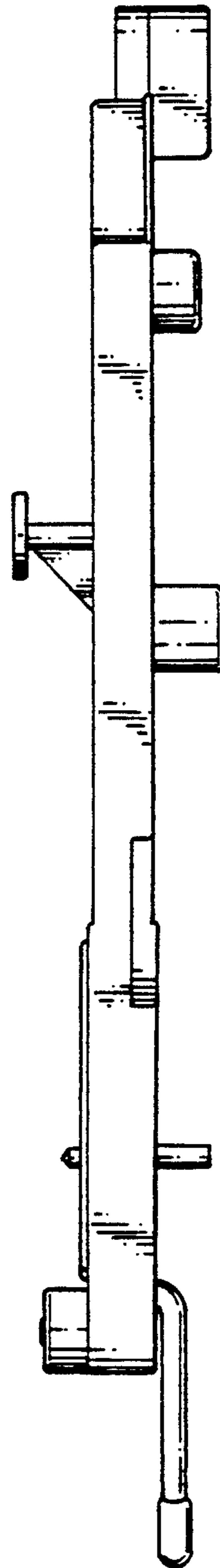


Fig. 3

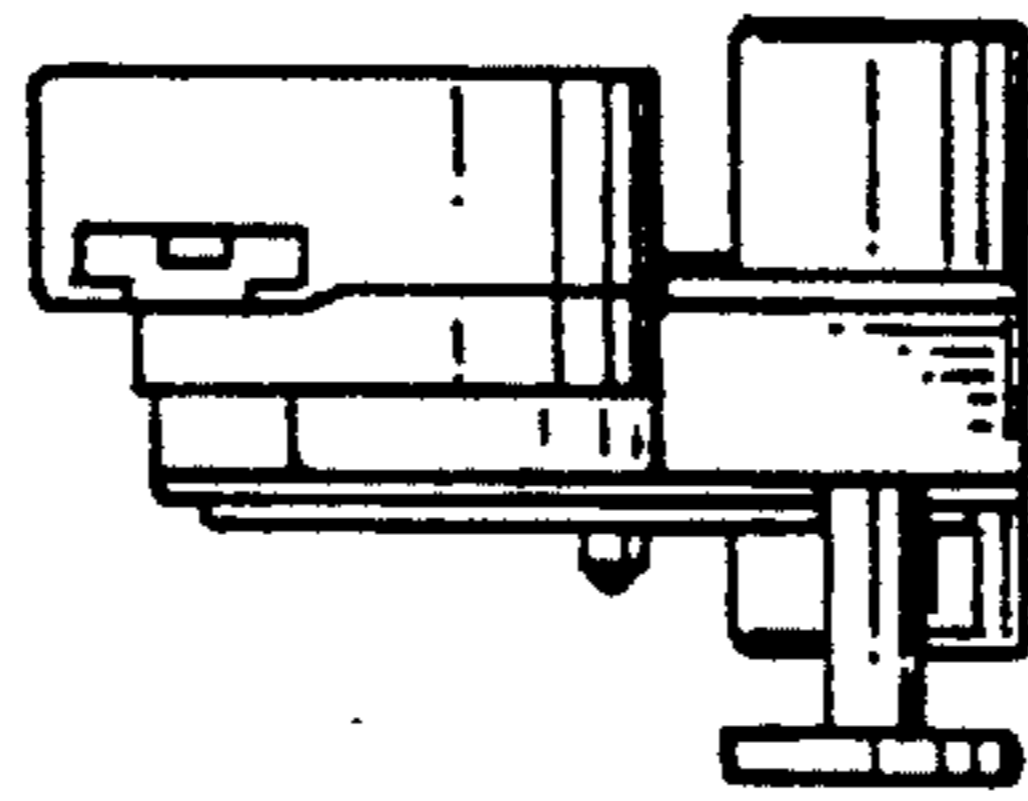


Fig. 4

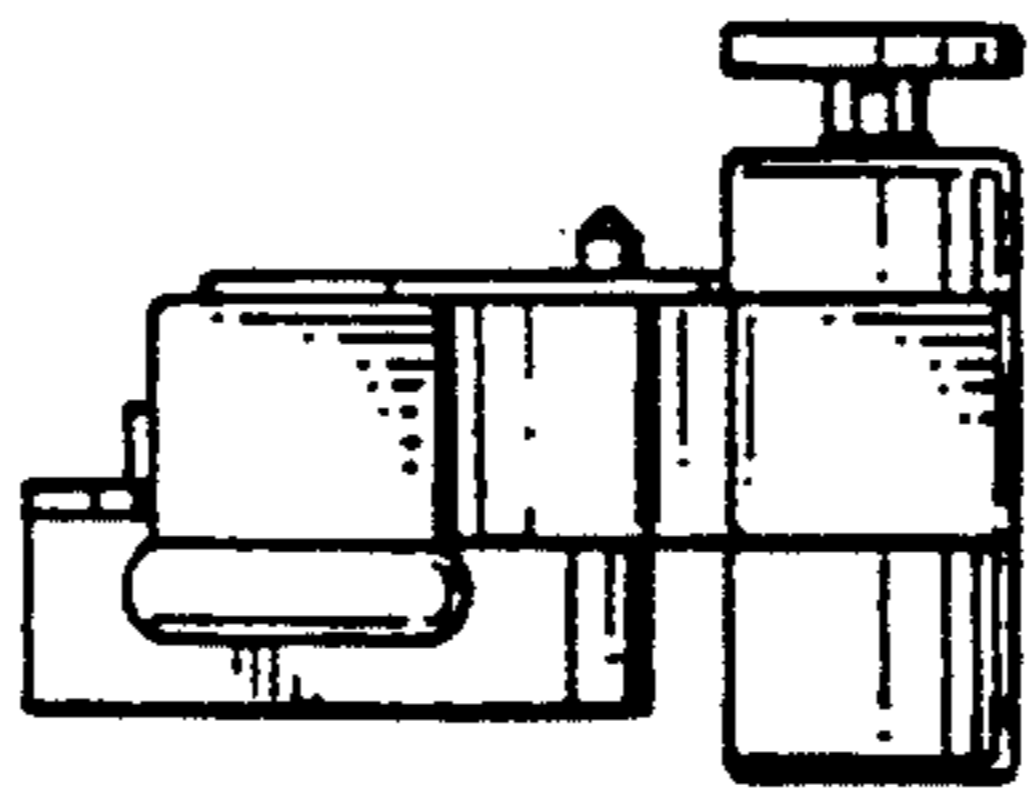


Fig. 5

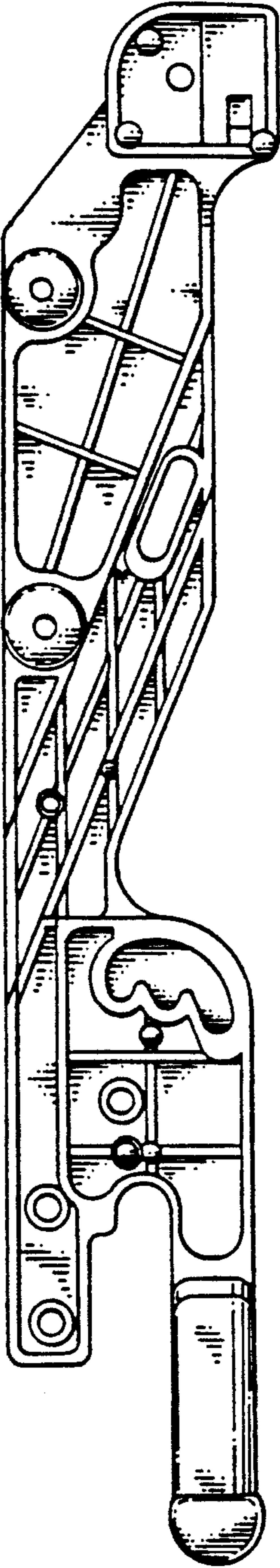


Fig . 6

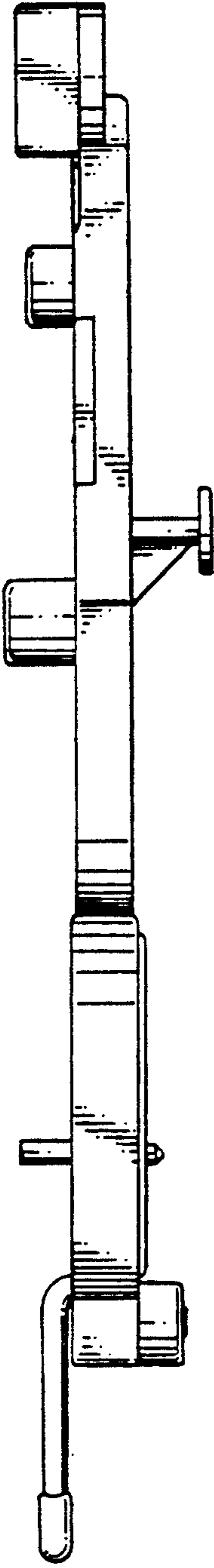


Fig . 7



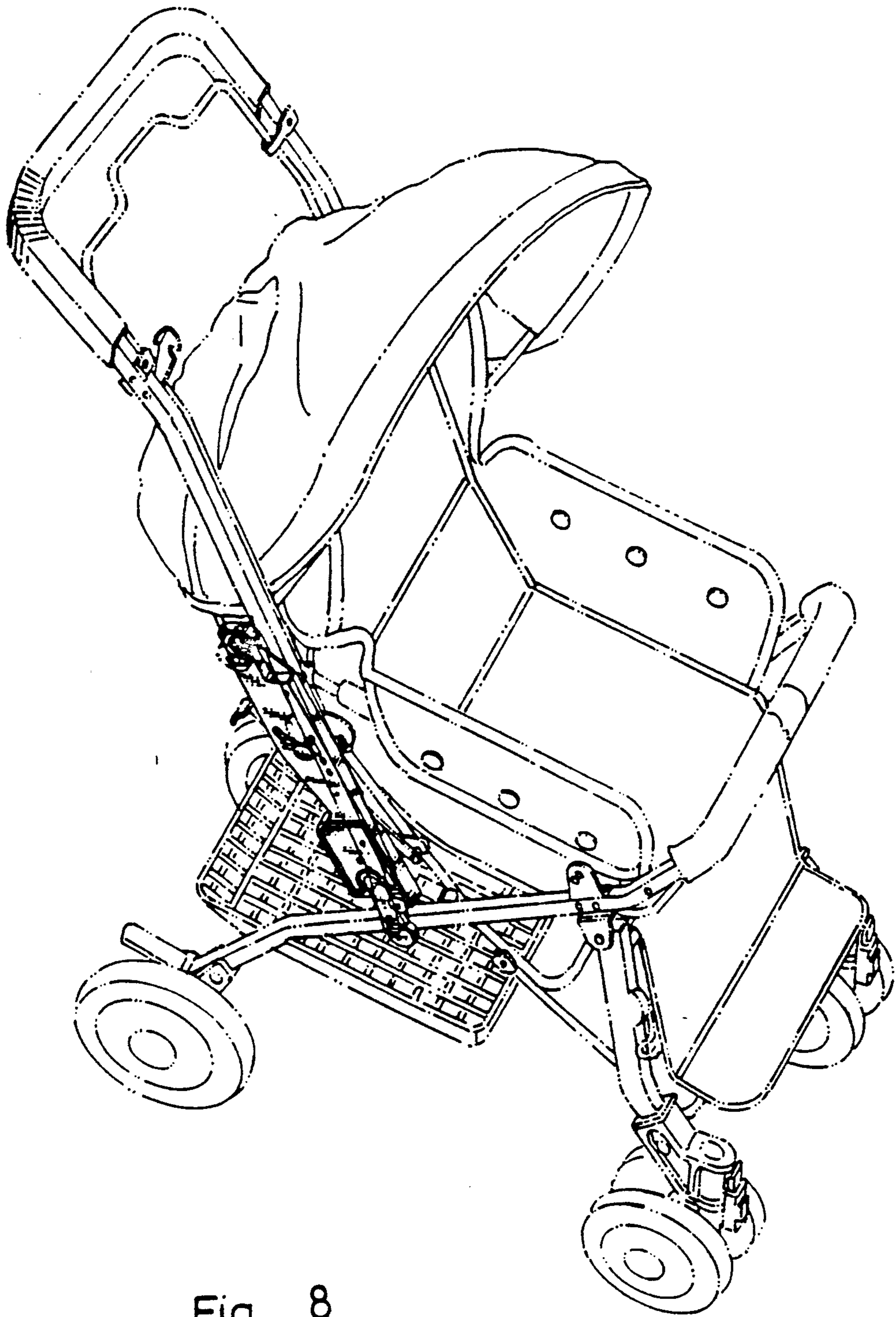


Fig. 8

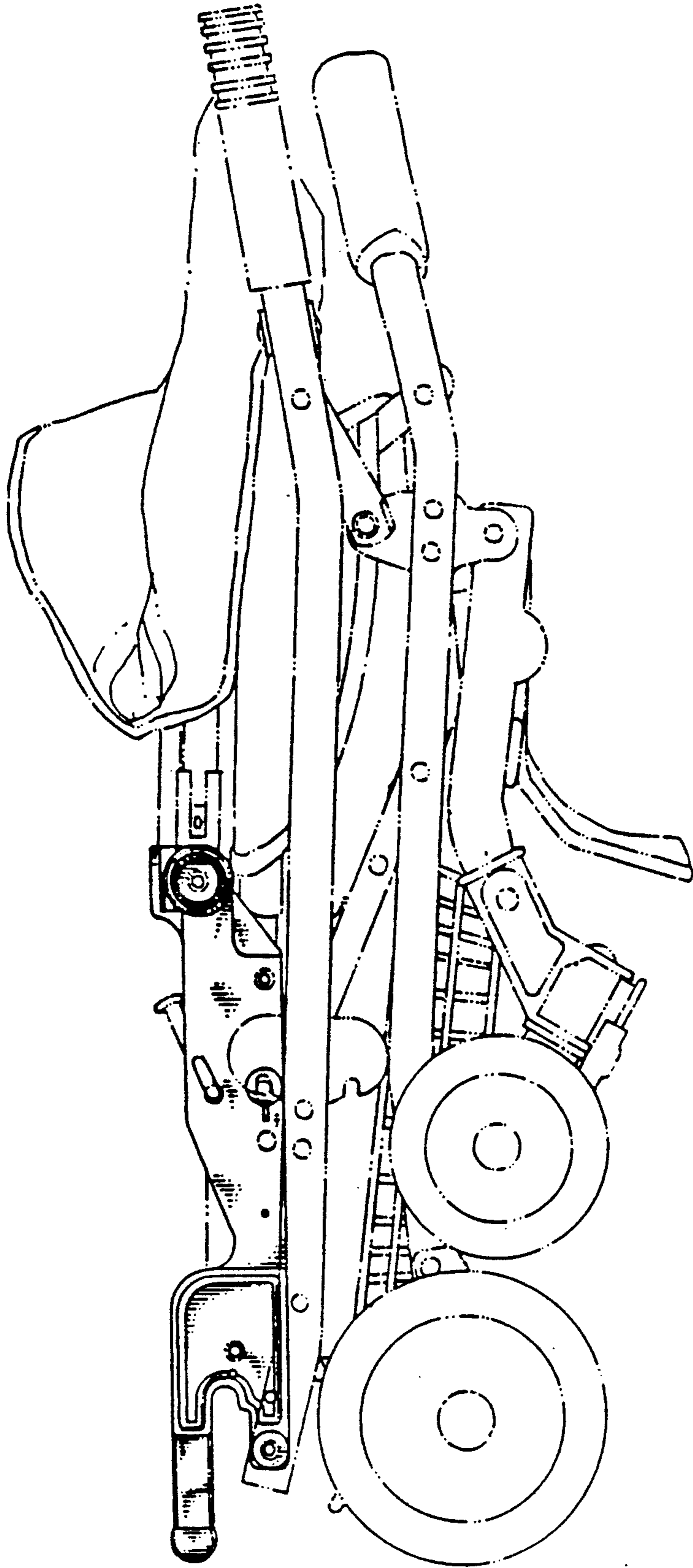


Fig. 9