



US00D345325S

United States Patent [19]

[11] Patent Number: **Des. 345,325**

Camfield et al.

[45] Date of Patent: **** Mar. 22, 1994**

- [54] **BICYCLE SHROUD**
- [76] Inventors: **David K. Camfield**, 513 Glenwood;
Daniel G. Hahn, 1040 E. North, both
of, Olney, Ill. 62450
- [**] Term: **14 Years**
- [21] Appl. No.: **896,544**
- [22] Filed: **Jun. 10, 1992**
- [52] U.S. Cl. **D12/117; D12/111**
- [58] Field of Search 280/281.1, 288.1, 288.2,
280/288.3, 282; 180/219; D12/111, 114, 110,
155, 117

4,613,146 9/1986 Sharp et al. 280/281.1
4,776,422 10/1988 Sakuma 180/219

OTHER PUBLICATIONS

- Brochure, Honda "1991 CBR600F2".
- Brochure, Honda "1991VFR750F".
- Brochure, Honda "1991 XR200R, XR100R, XR80R and Z50R".
- Catalogue, AMF, Evel Knievel Line, Spirited New Evel Knievel Styles for 1976 (See models L-9240, E-992, E-966).
- Catalogue, AMF, Junior, 1977 Juvenile Wheel Goods, (See Models G-992, G-986).
- Catalogue, AMF, Roadmaster, Bicycles for 1977 (See models M-9224, M-9226, M-9236, M-9234).
- Catalogue, AMF, 1978 Juvenile Wheel Goods (See models A-992, A-905).
- Catalogue, AMF, Roadmaster, Bicycles for 1978 (See models P-9240, P-9216, P-9234, P-9214).
- Catalogue, AMF, Junior, Wheel Goods for 1979 (See model B-905).
- Catalogue, AMF, Roadmaster, Bicycles for 1979 (See models R-9214, R-9234, R-9238).
- Catalogue, Bicycles for 1975 (See model K-9234).
- Catalogue, AMF, Junior, 1976 Juvenile Wheel Goods (See model E-986).
- Catalogue, AMF, Roadmaster, Bicycle for 1976 (See models L-9230, L-9234, L-9238, L-9236).

[56] References Cited

U.S. PATENT DOCUMENTS

D. 93,008	8/1934	Ely	D12/111
D. 138,304	7/1944	Boynton	D12/111
D. 149,408	4/1948	Fuhs	D12/111
D. 166,693	9/1951	Lines	D12/111
D. 170,610	10/1953	Sebel	D12/111
D. 203,146	12/1965	Ryan	D12/111
D. 245,002	7/1977	Carpenter et al.	D12/111
D. 246,170	10/1977	Powers	D12/111
D. 246,779	12/1977	Cognata	D12/126
D. 250,329	11/1978	Breen	D12/126
D. 267,560	1/1983	Matsue	D12/110
D. 270,047	8/1983	Katoaka et al.	D12/110
D. 273,854	5/1984	Ishiyama	D12/110
D. 275,469	9/1984	Morioka et al.	D12/110
D. 291,292	8/1987	Smith et al.	D12/111
D. 294,338	2/1988	Yamada et al.	D12/110
D. 295,274	4/1988	Matsuzaki et al.	D12/110
D. 299,016	12/1988	Kitagawa et al.	D12/110
D. 299,447	1/1989	Sakuma et al.	D12/110
D. 299,816	2/1989	Maruyama et al.	D12/110
D. 312,807	12/1990	Kohama et al.	D12/110
D. 313,380	1/1991	Imai et al.	D12/110
D. 314,167	1/1991	Kolter et al.	D12/110
D. 321,849	11/1991	Abe et al.	D12/110
D. 326,247	5/1992	Hess	D12/111
D. 332,588	1/1993	Kohama et al.	D12/110
D. 333,641	3/1993	Sakuguchi et al.	D12/110
1,498,677	6/1924	Bemis et al.	280/281.1
4,534,578	8/1985	Keller	280/281.1

Primary Examiner—Wallace R. Burke
Assistant Examiner—Melody Brown

[57] CLAIM

The ornamental design for a bicycle shroud, as shown.

DESCRIPTION

FIG. 1 is a left, front perspective view of a bicycle shroud showing our new design;
FIG. 2 is a left side elevational view thereof;
FIG. 3 is a right side elevational view thereof;
FIG. 4 is a top plan view thereof;
FIG. 5 is a bottom plan view thereof;
FIG. 6 is a front elevational view thereof; and,
FIG. 7 is a rear elevational view thereof.

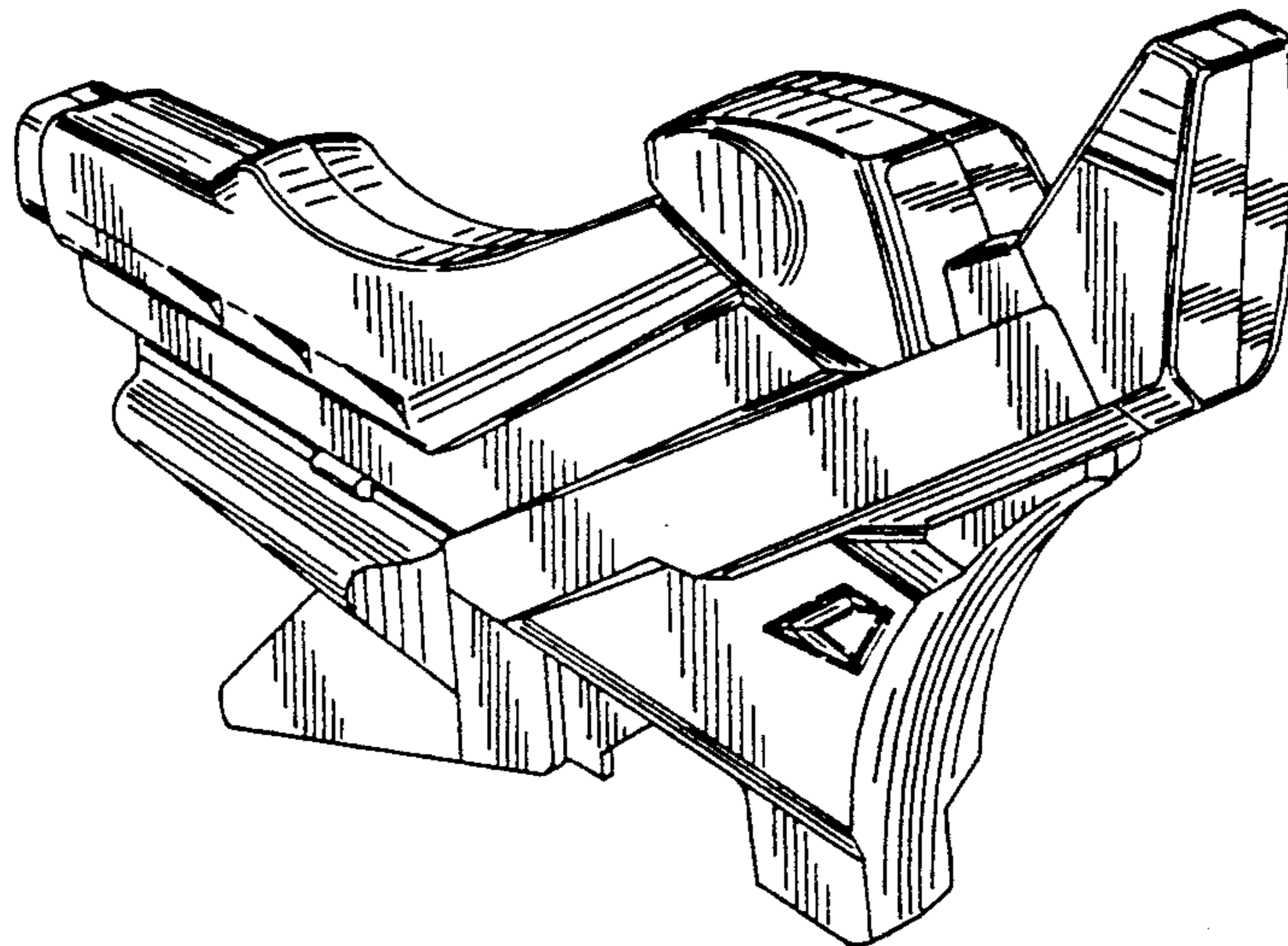


FIG. 1

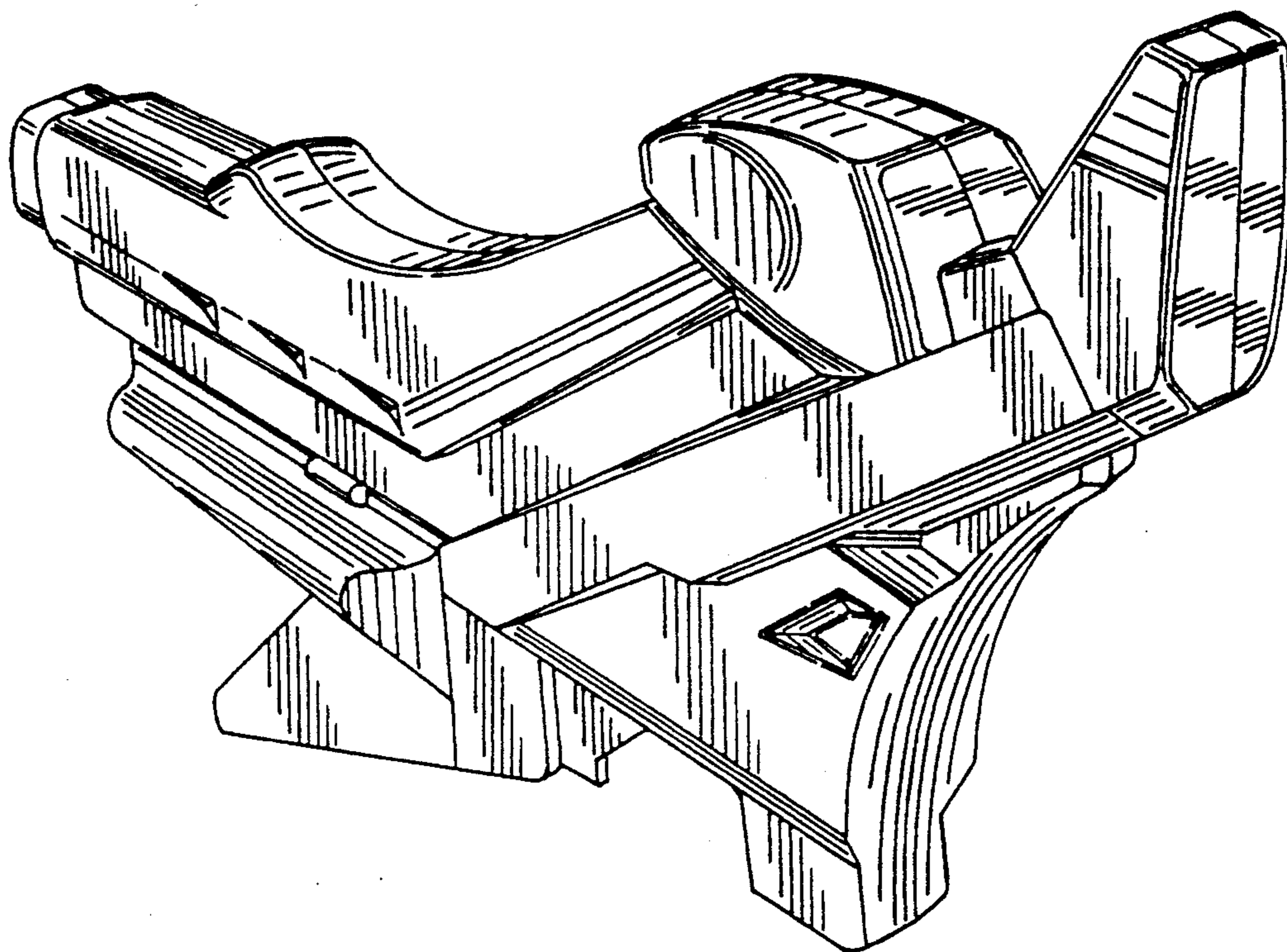


FIG. 2

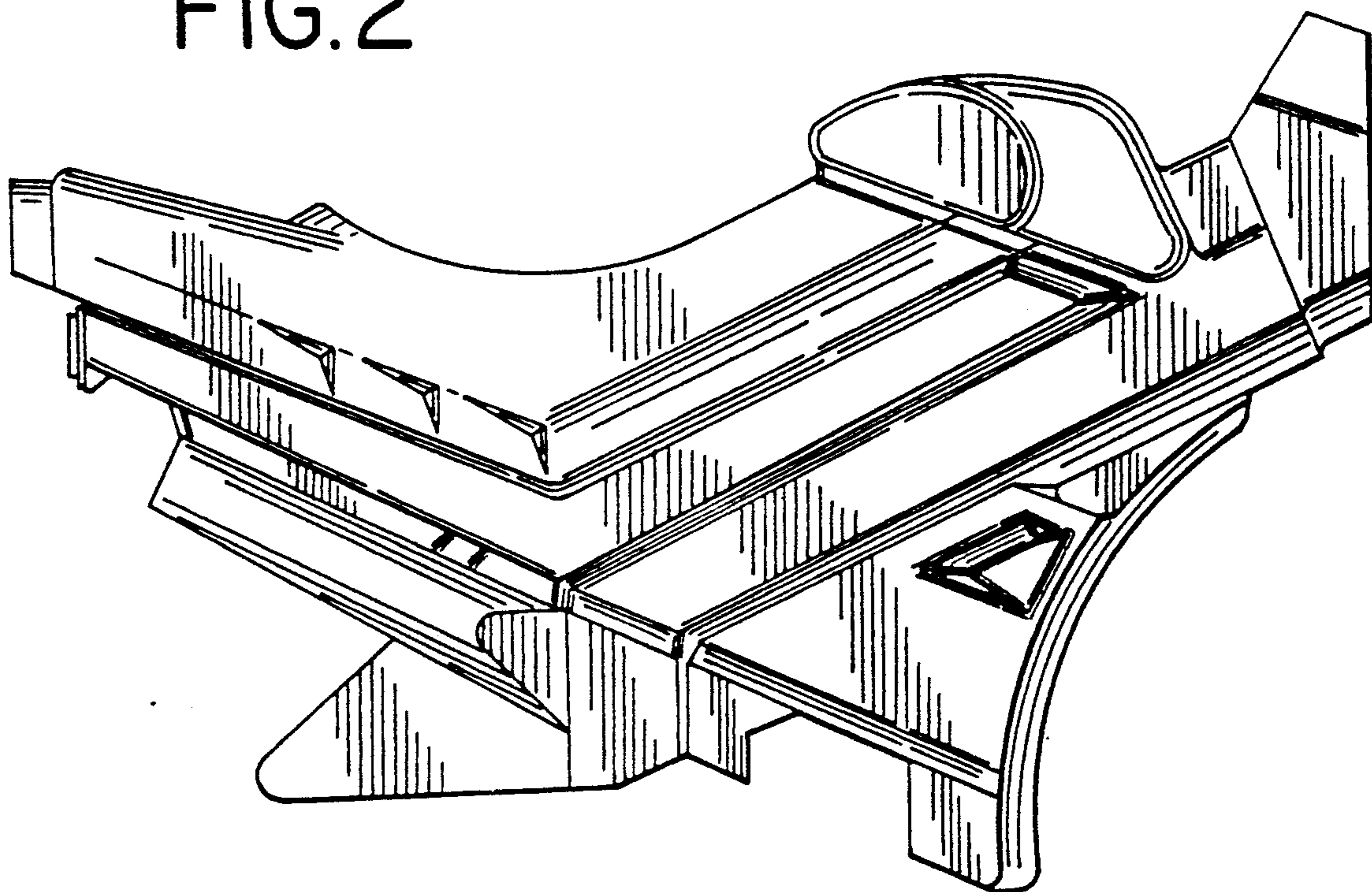


FIG. 3

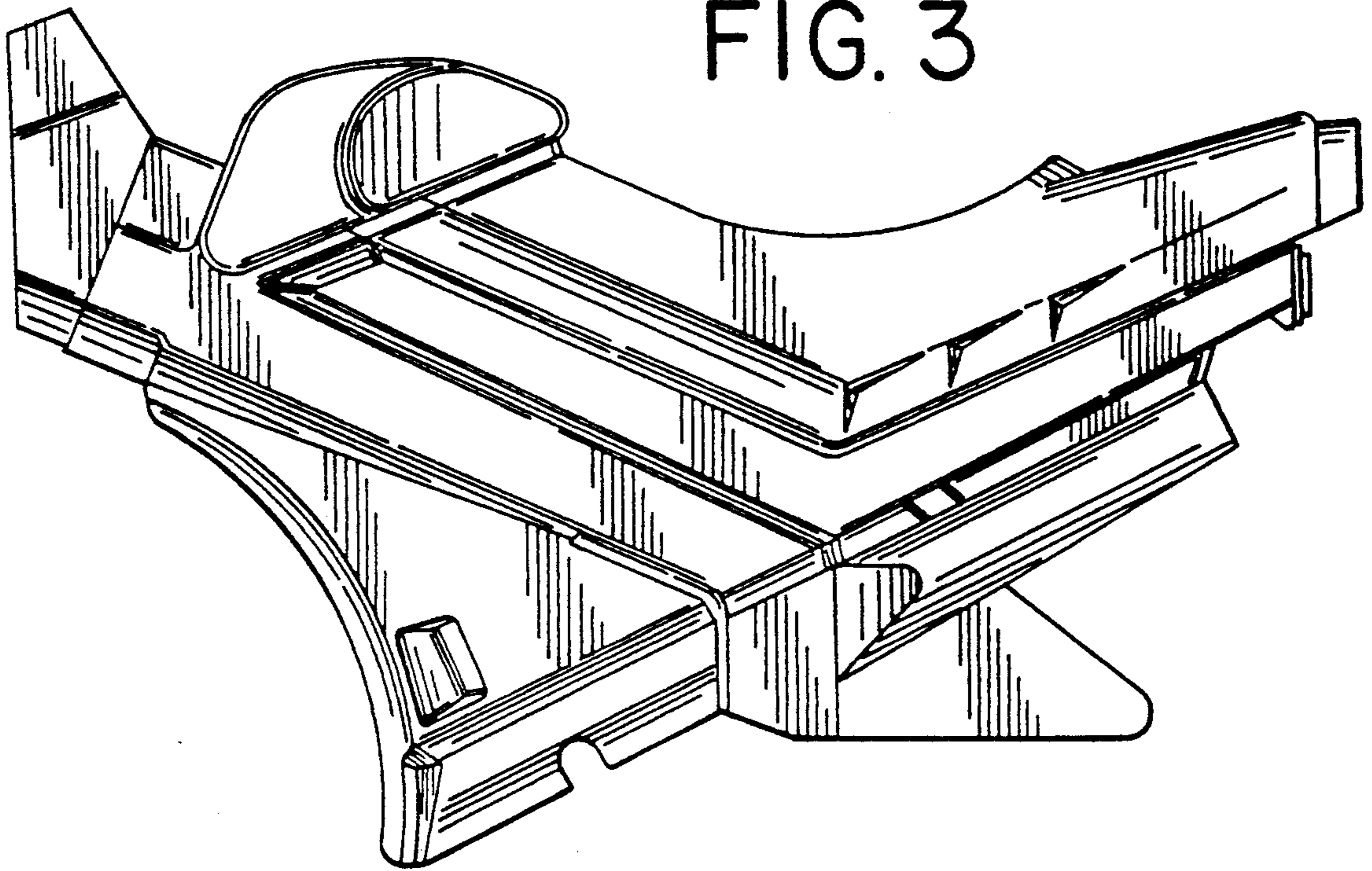


FIG. 4

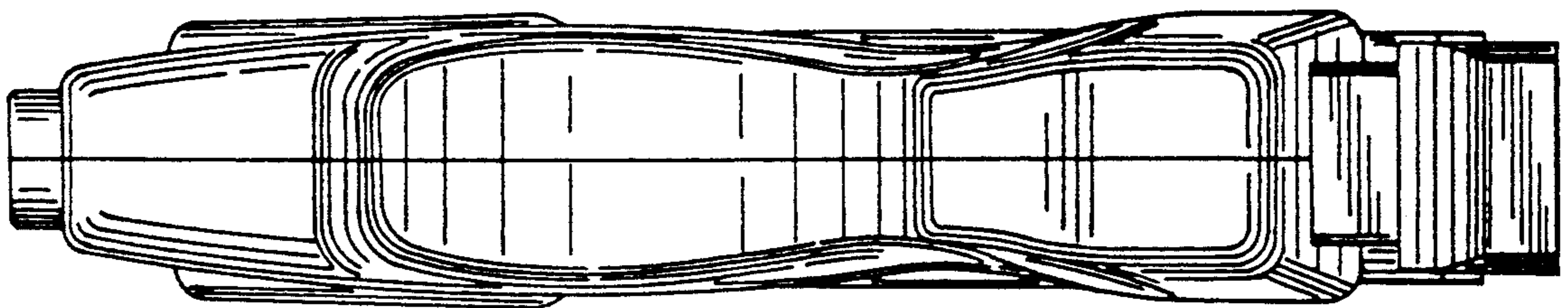


FIG. 5

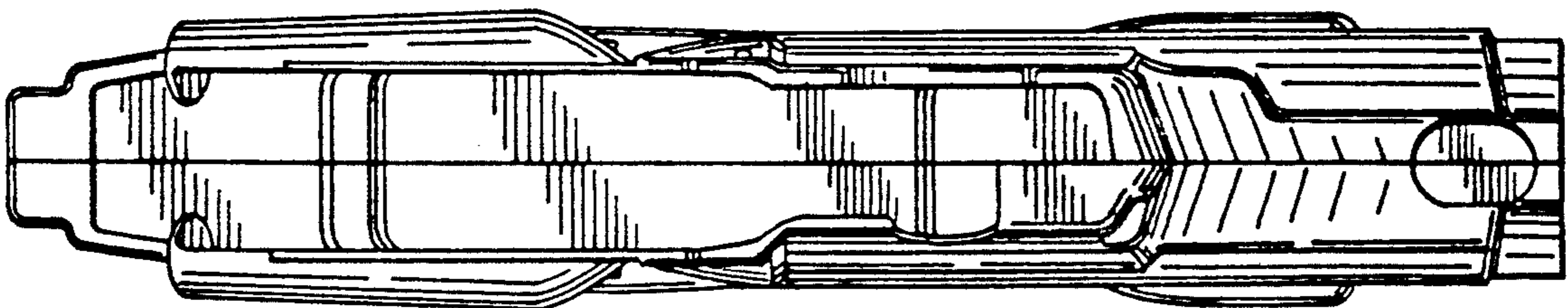


FIG. 6

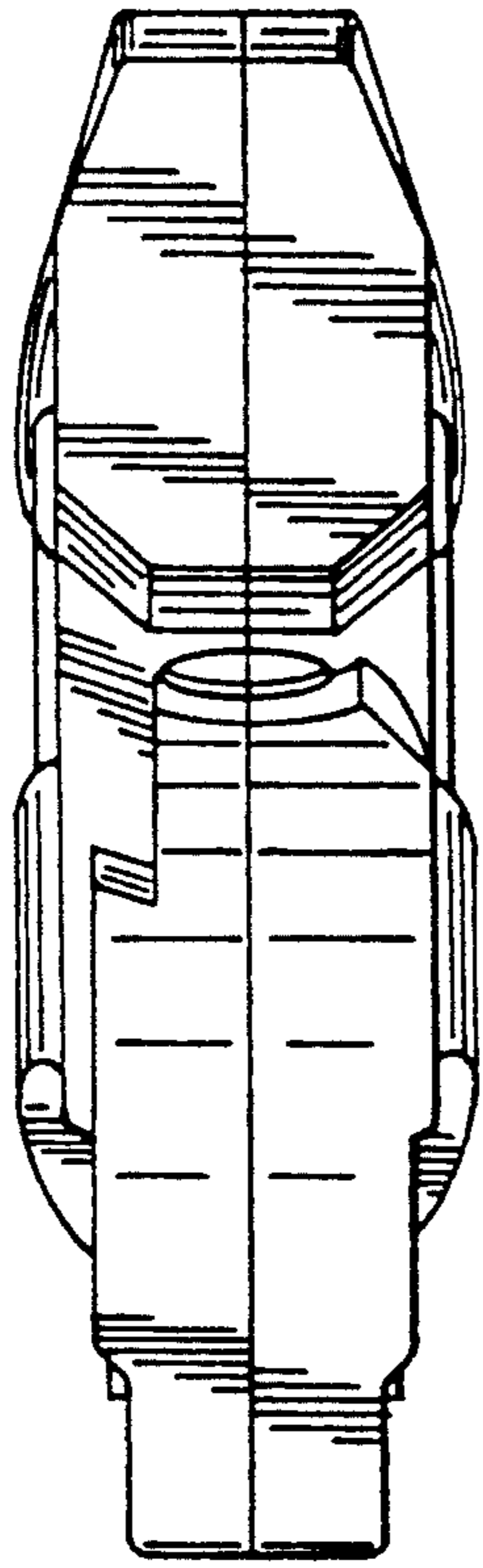
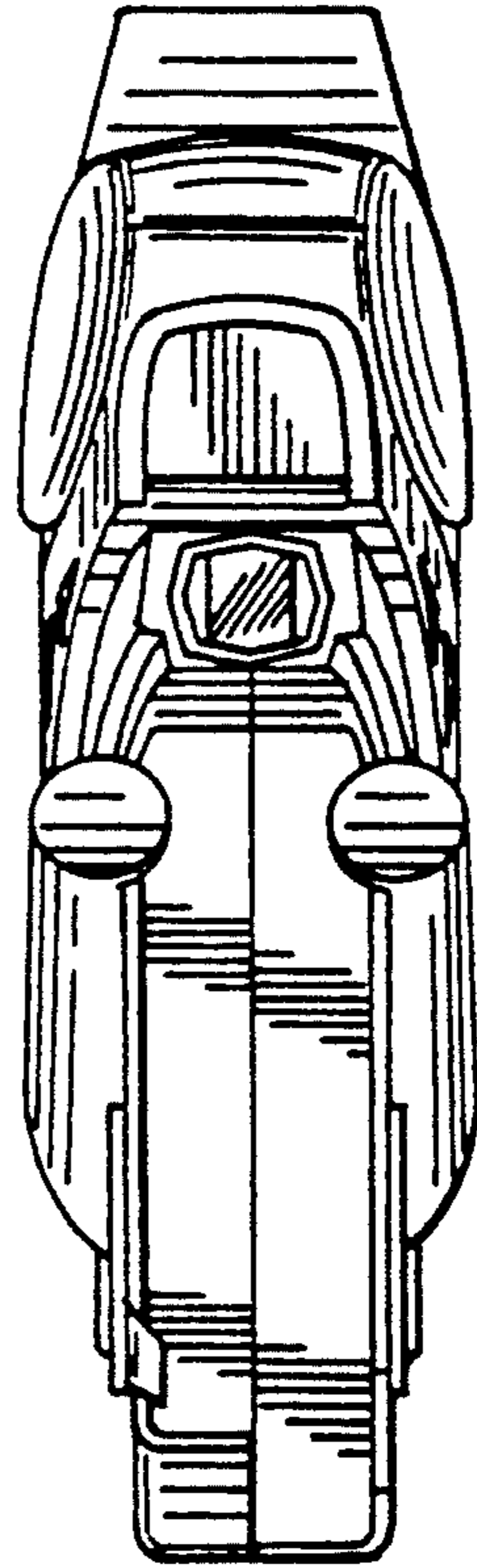


FIG. 7



UNITED STATES PATENT AND TRADEMARK OFFICE
CERTIFICATE OF CORRECTION

PATENT NO. : Des. 345,325
DATED : March 22, 1994
INVENTOR(S) : David K. Camfield et al.

It is certified that error appears in the above-identified patent and that said Letters Patent is hereby corrected as shown below:

ON THE TITLE PAGE

insert the following: Item [73]
--Assignee: Roadmaster Corporation, Olney, Illinois--

In column 2, after "Assistant Examiner-Melody Brown"
insert --Attorney, Agent, or Firm-Willian Brinks Hofer Gilson
& Lione--.

Signed and Sealed this
Thirty-first Day of January, 1995

Attest:



BRUCE LEHMAN

Attesting Officer

Commissioner of Patents and Trademarks