



US00D345313S

United States Patent [19]

[11] Patent Number: **Des. 345,313**

Bedrosian

[45] Date of Patent: **** Mar. 22, 1994**

[54] PORTABLE MOTION DETECTOR	4,342,987	8/1982	Rossin	340/567
	4,364,030	12/1982	Rossin	340/567
[75] Inventor: Bert S. Bedrosian, Farmington Hills, Mich.	4,520,516	6/1985	Parsons	4/623
	4,604,734	8/1986	Ruehle	367/63
	4,772,875	9/1988	Maddox et al.	340/506
[73] Assignee: Guard-Tech Industries, Inc., Farmington Hills, Mich.	4,949,075	8/1990	Kürti et al.	340/555
	4,954,813	9/1990	August, Sr. et al.	340/571
	4,996,521	2/1991	Hollow	340/541

[**] Term: **14 Years**

[21] Appl. No.: **4,974**

[22] Filed: **Feb. 17, 1993**

[52] U.S. Cl. **D10/106; D20/10**

[58] Field of Search **116/75, 77; 340/528, 340/540, 541, 545, 546, 547, 571, 572, 506, 615; D10/104, 106, 121; D20/10, 41**

[56] References Cited

U.S. PATENT DOCUMENTS

D. 258,499	3/1981	Brown et al.	D10/104
D. 261,740	11/1981	Zederer	D10/106
3,530,432	9/1970	Pope	340/541
3,967,258	6/1976	Bucy, Jr.	340/258 B
4,319,228	3/1982	Daniels	340/521

Primary Examiner—Wallace R. Burke
Assistant Examiner—Marcus Jackson
Attorney, Agent, or Firm—Krauss & Young

[57] CLAIM

The ornamental design for a portable motion detector, as shown and described.

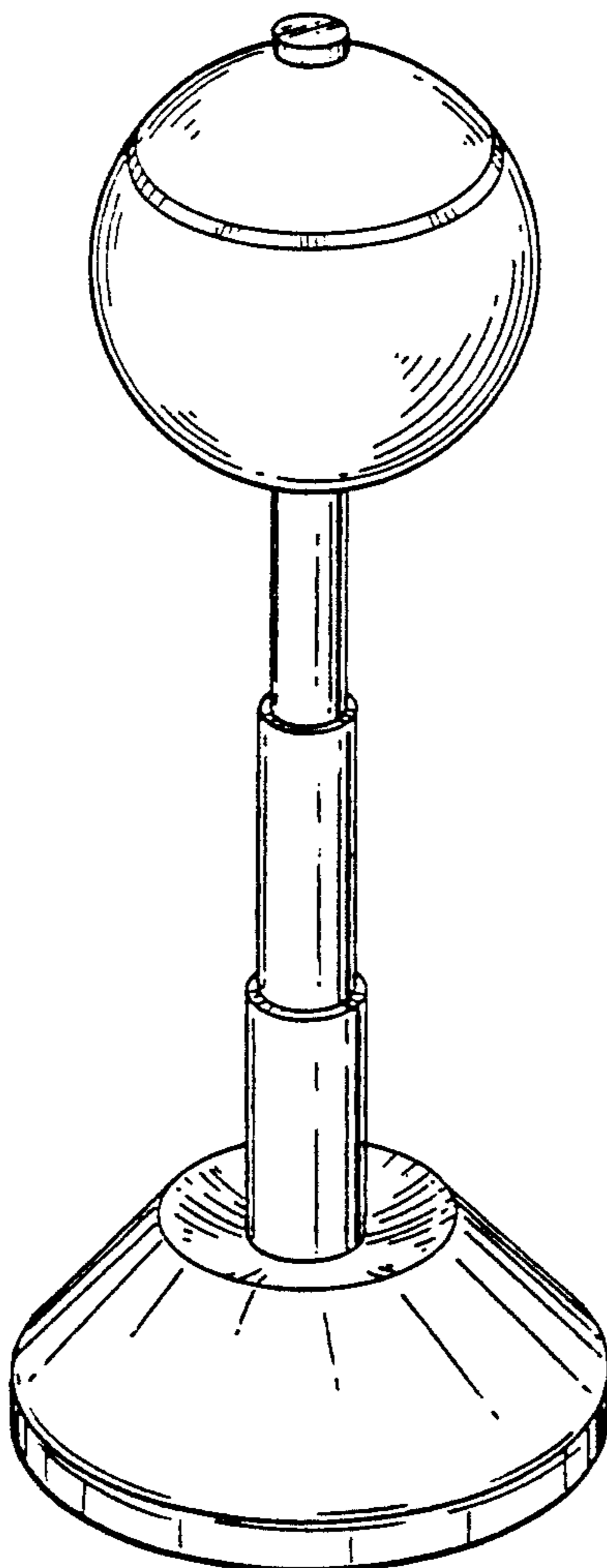
DESCRIPTION

FIG. 1 is a side perspective view of a portable motion detector showing my new design, with the other side views being identical;

FIG. 2 is a side perspective view thereof, with the detector being shown in a collapsed position;

FIG. 3 is a top plan view thereof; and,

FIG. 4 is a bottom plan view thereof.



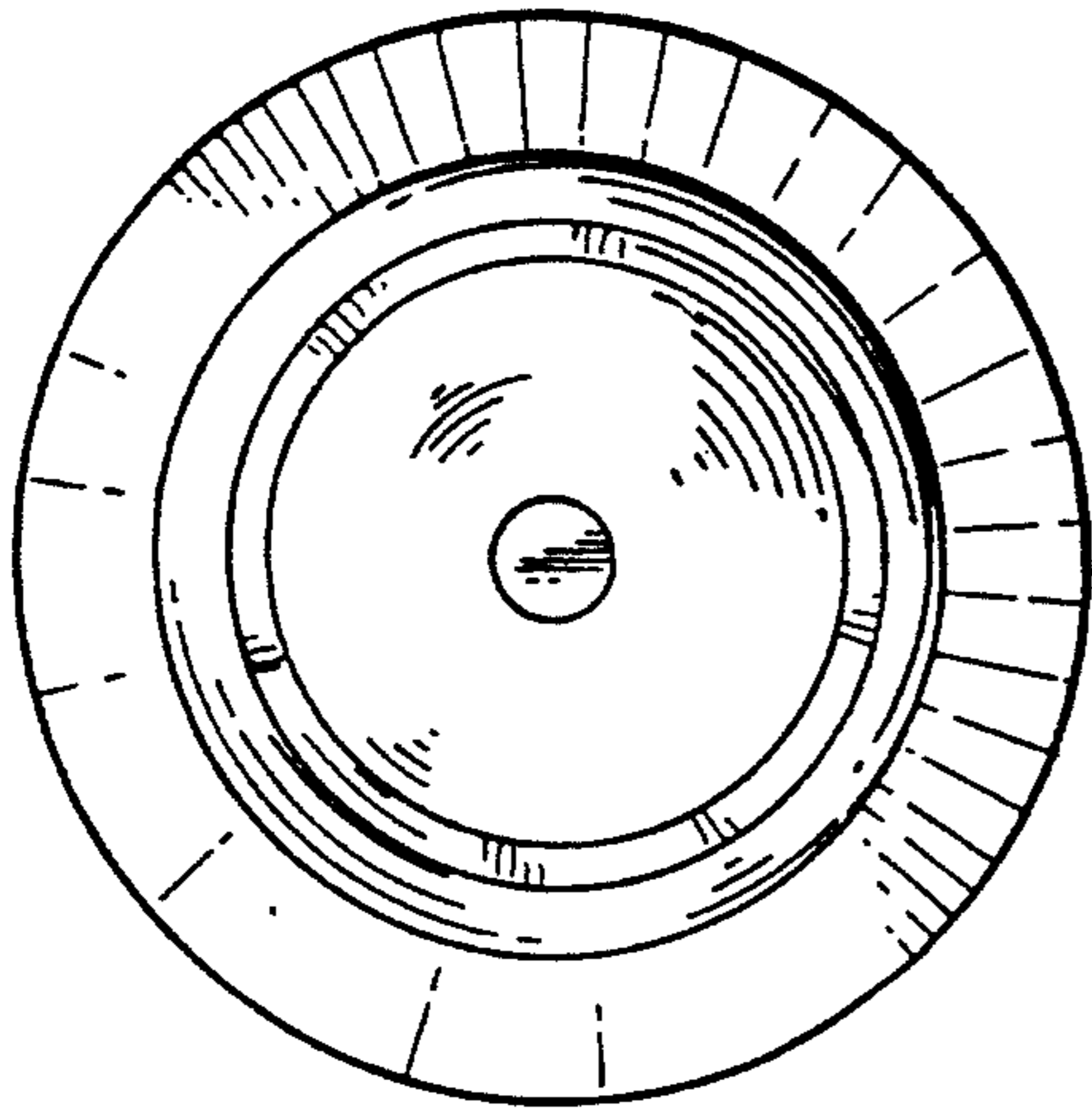


FIG - 3

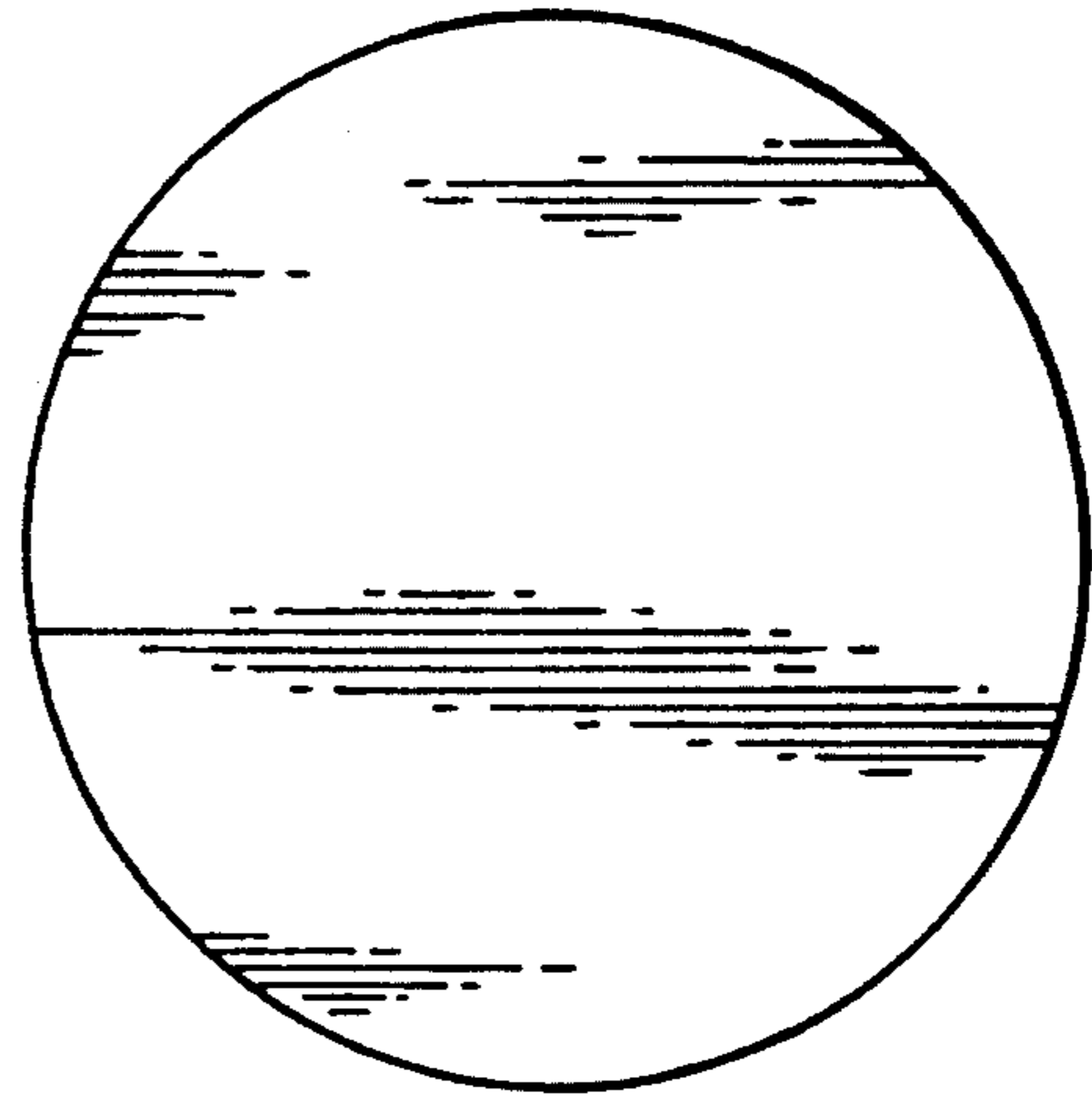


FIG - 4

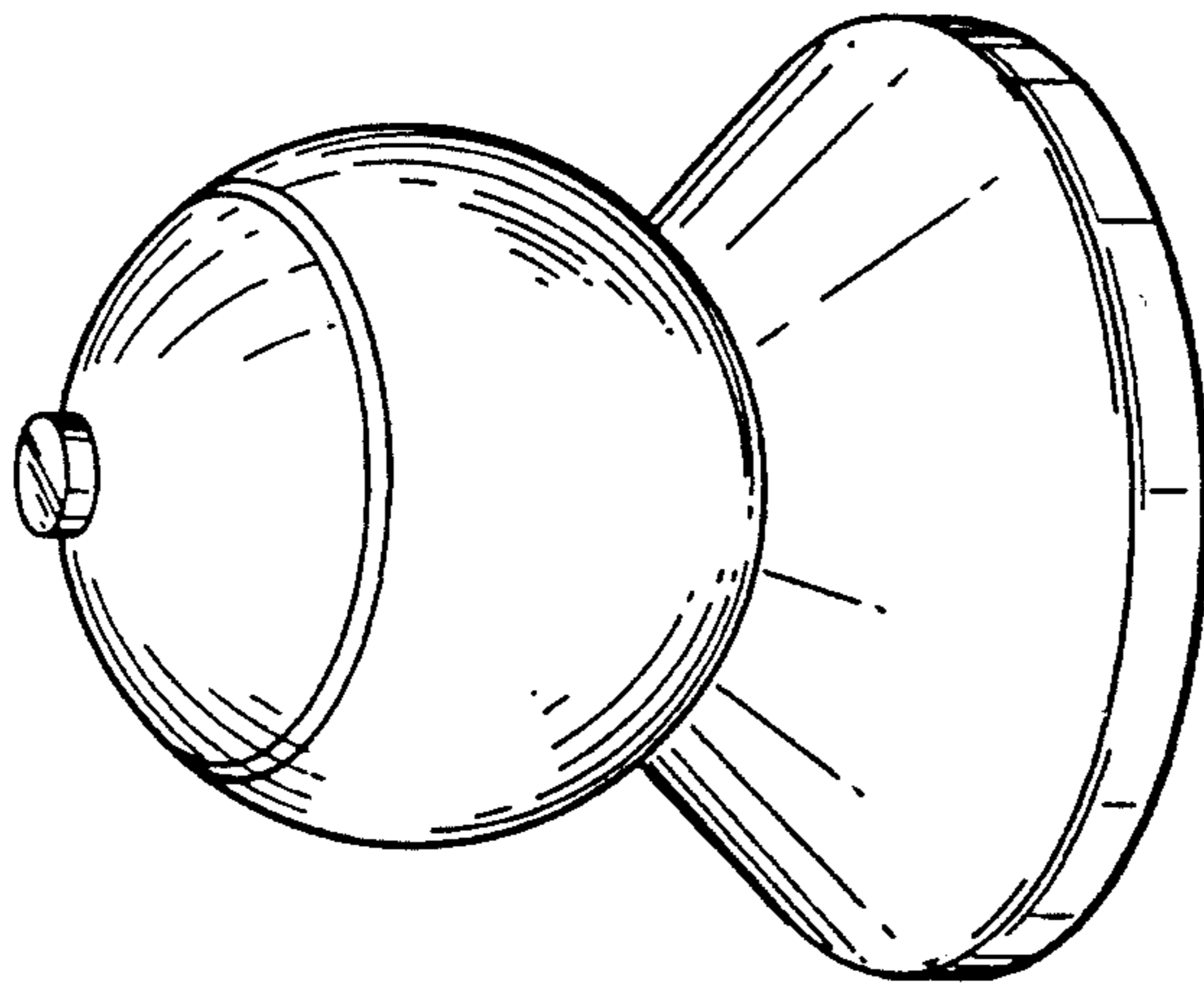


FIG - 2

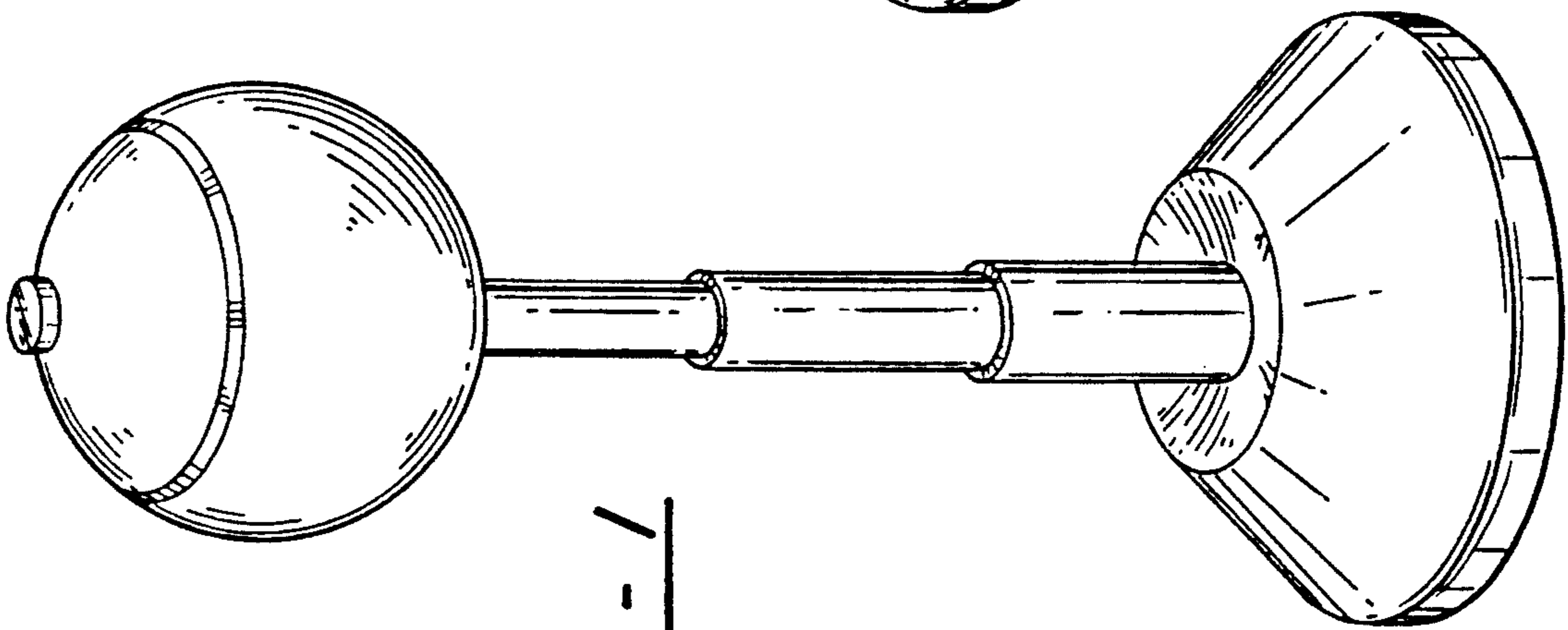


FIG - 1