



US00D345305S

United States Patent [19]

[11] Patent Number: **Des. 345,305**

Host

[45] Date of Patent: **** Mar. 22, 1994**

[54] TOY CONTAINER

3,487,972 1/1970 Swett D9/428 X

[75] Inventor: **Henrik Host**, DK-4000 Roskilde, Denmark

[73] Assignee: **Interlego A.G.**, Baar, Switzerland

[**] Term: **14 Years**

[21] Appl. No.: **1,902**

[22] Filed: **Nov. 24, 1992**

[52] U.S. Cl. **D9/423; D9/428**

[58] Field of Search **D9/420-423, D9/424, 428, 337; D3/73, 78, 42, 52; D7/629, 602; 206/315.1; 220/334, 337, 376, 675, 752, 755; 224/921**

[56] **References Cited**

U.S. PATENT DOCUMENTS

D. 231,433	4/1974	Congleton	D9/423
D. 280,058	8/1985	Carlson	D7/629
D. 287,336	12/1986	Roehrig	D9/423 X
D. 319,947	9/1991	Ryan	D3/73 X
2,826,780	3/1958	Dorfman	D9/423 X
3,442,435	5/1969	Ludder et al.	426/120 X

OTHER PUBLICATIONS

Rogers Plastic Corp. Brochure.
The Gift and Art Buyer 9-1955, p. 46, item E and F.

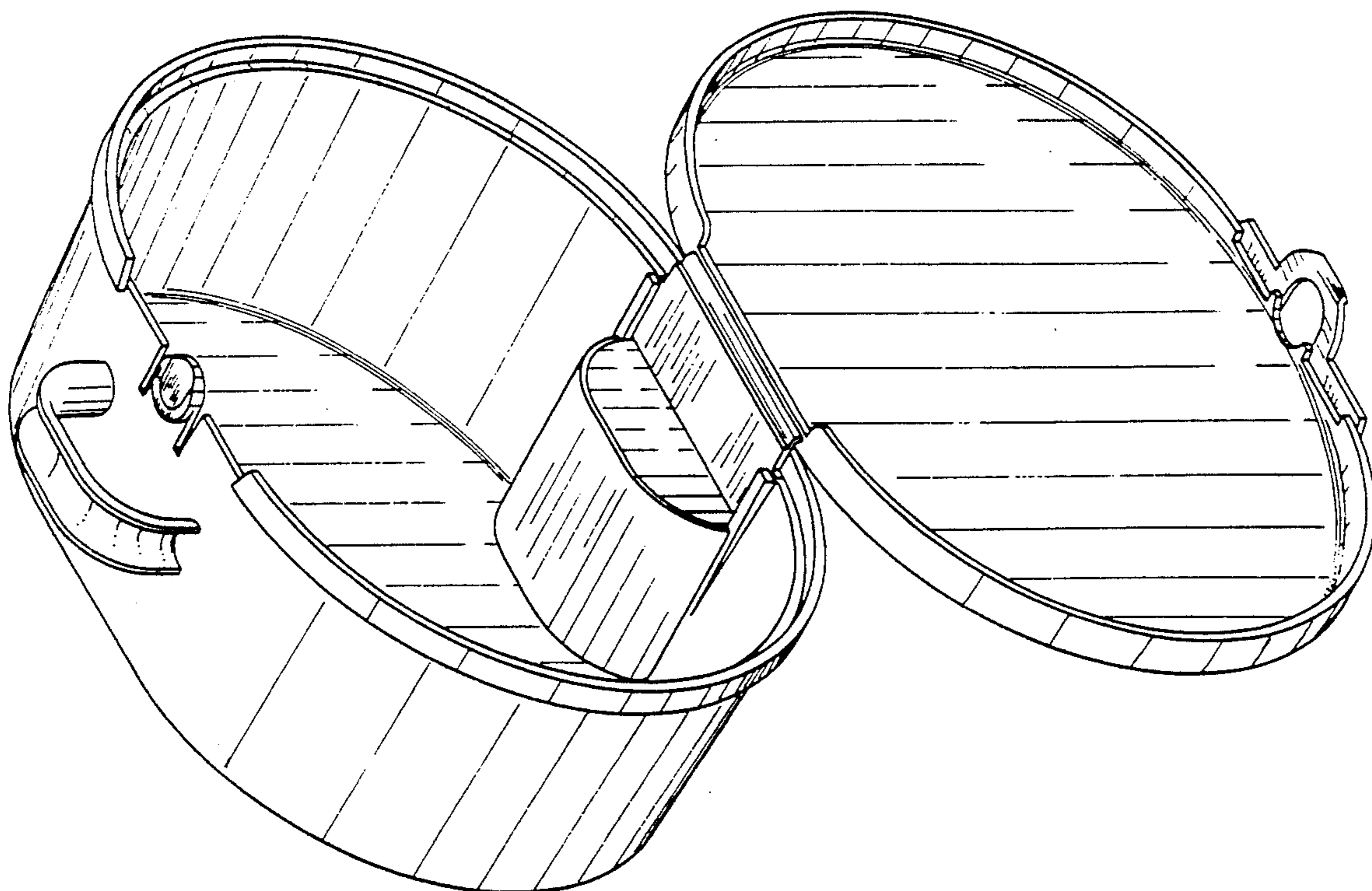
Primary Examiner—Prabhakar G. Deshmukh
Attorney, Agent, or Firm—Kane, Dalsimer, Sullivan, Kurucz, Levy, Eisele and Richard

[57] CLAIM

The ornamental design for a toy container, as shown and described.

DESCRIPTION

FIG. 1 is a top perspective view of the toy container showing my new design;
FIG. 2 is a right side elevational view thereof;
FIG. 3 is a front elevational view thereof;
FIG. 4 is a left side elevational view thereof;
FIG. 5 is a rear elevational view thereof;
FIG. 6 is a top plan view thereof;
FIG. 7 is a bottom plan view thereof; and,
FIG. 8 is a top perspective view thereof in an alternative position.



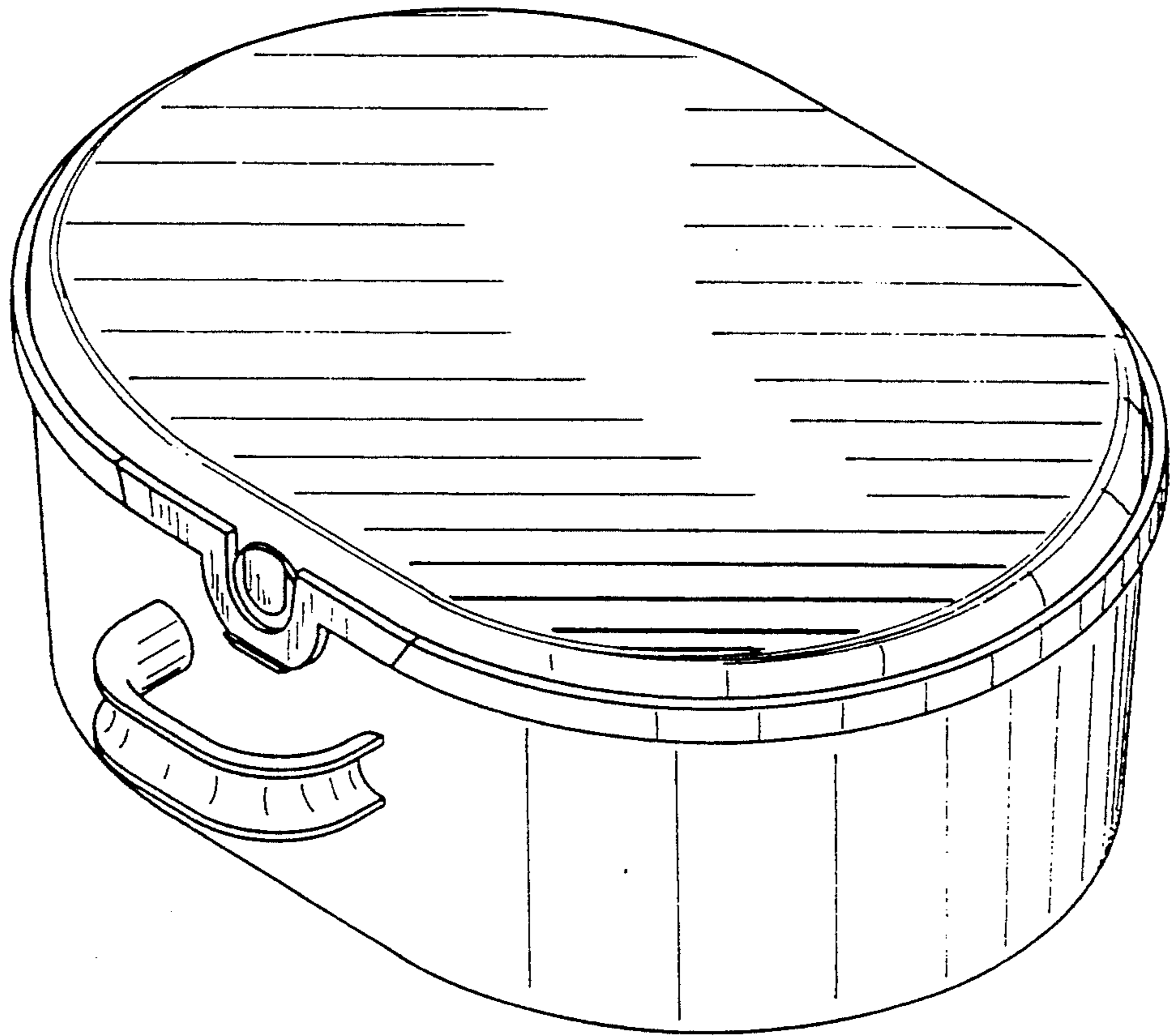


FIG. 1

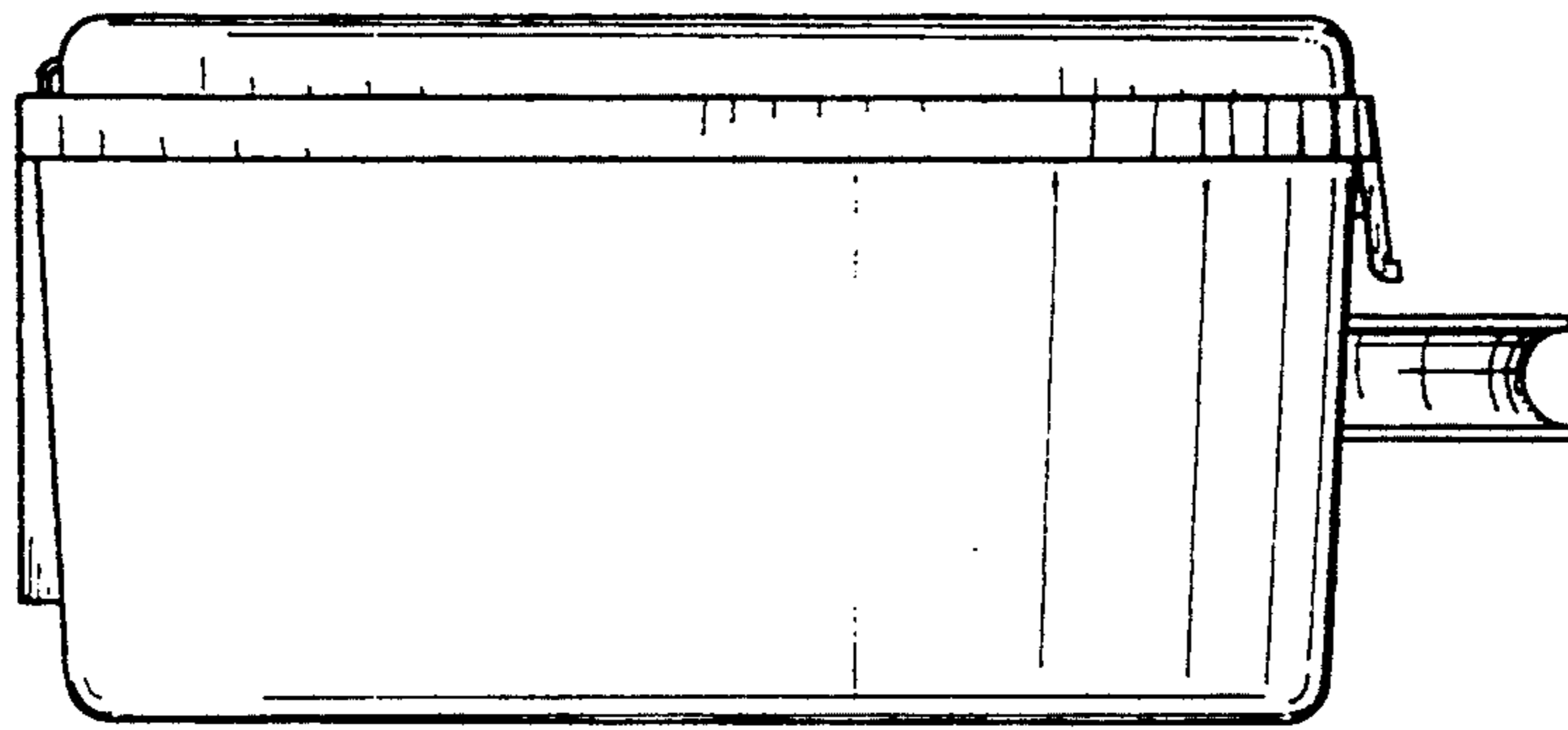


FIG. 2

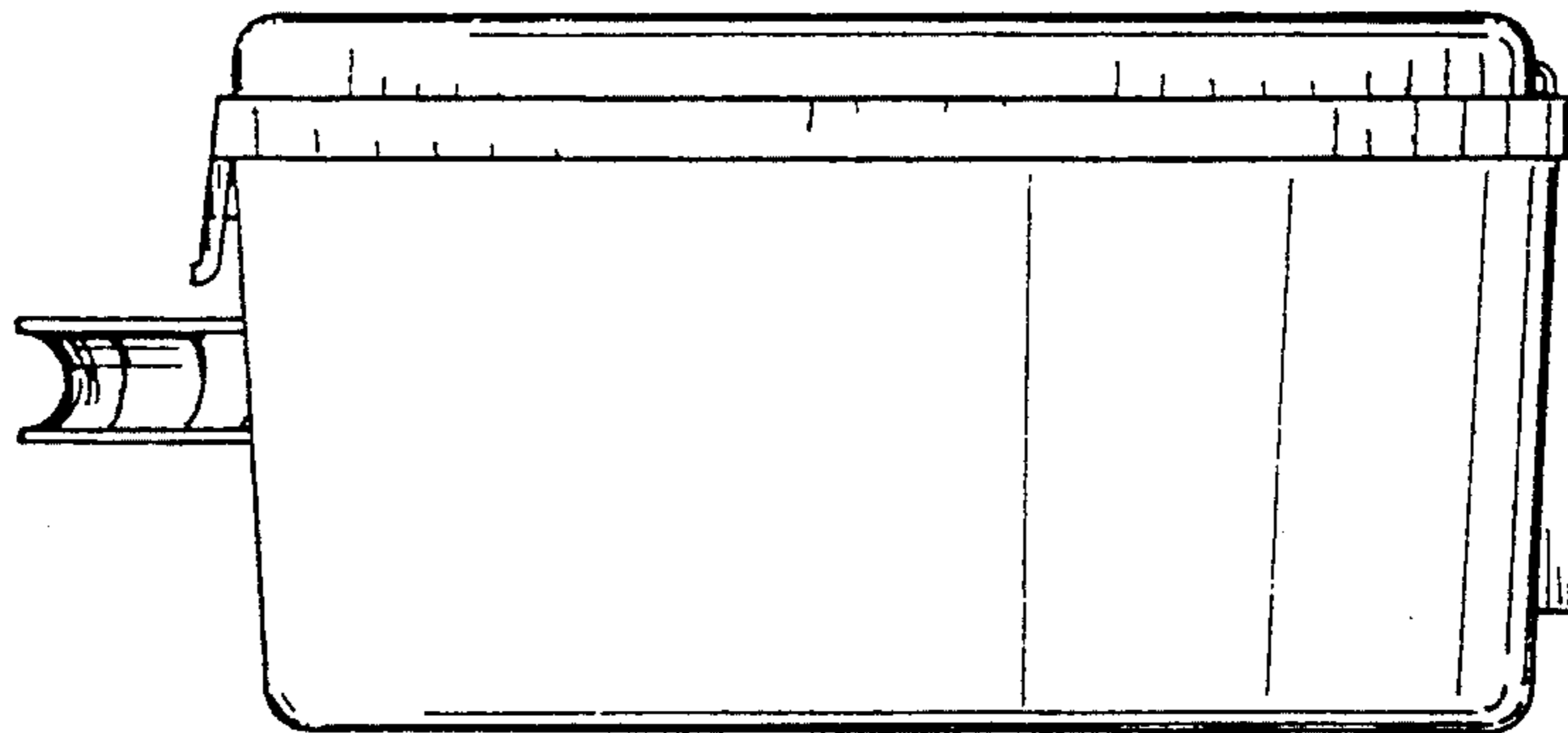


FIG. 4

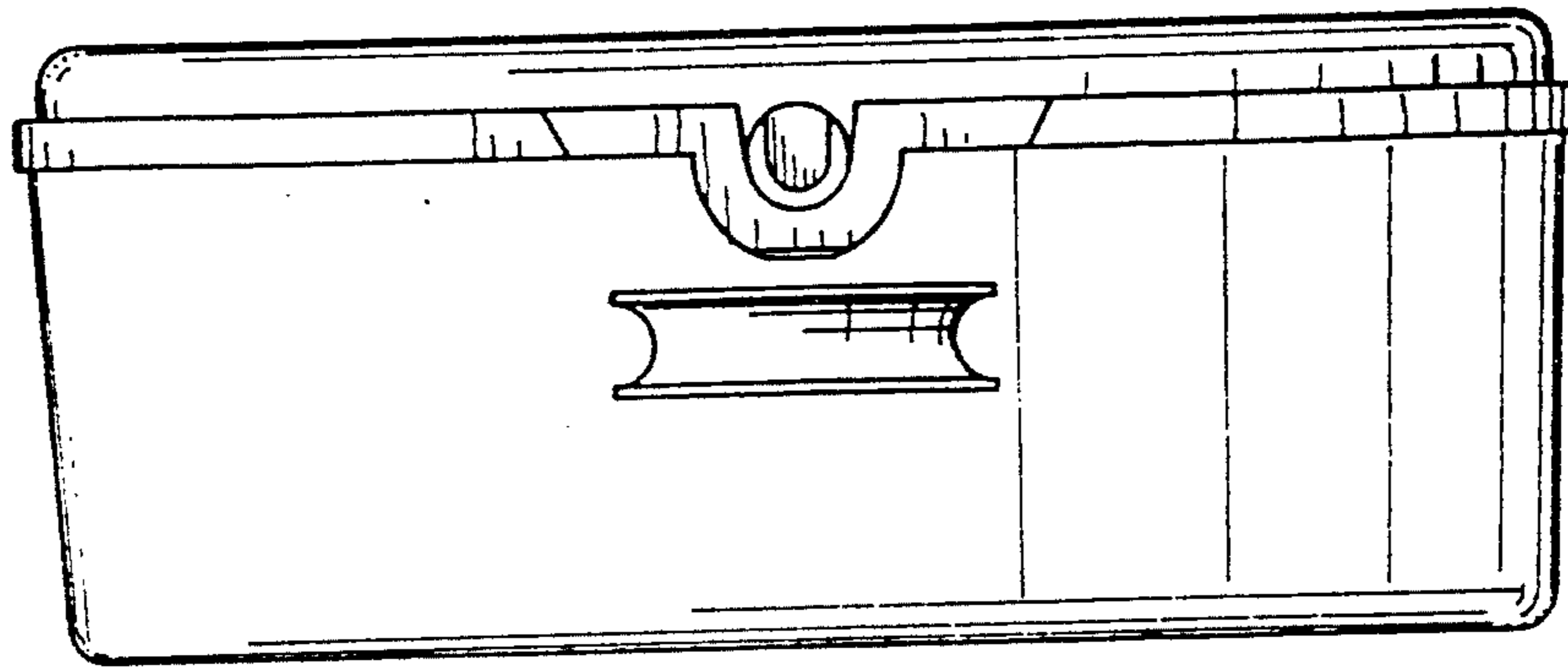


FIG. 3

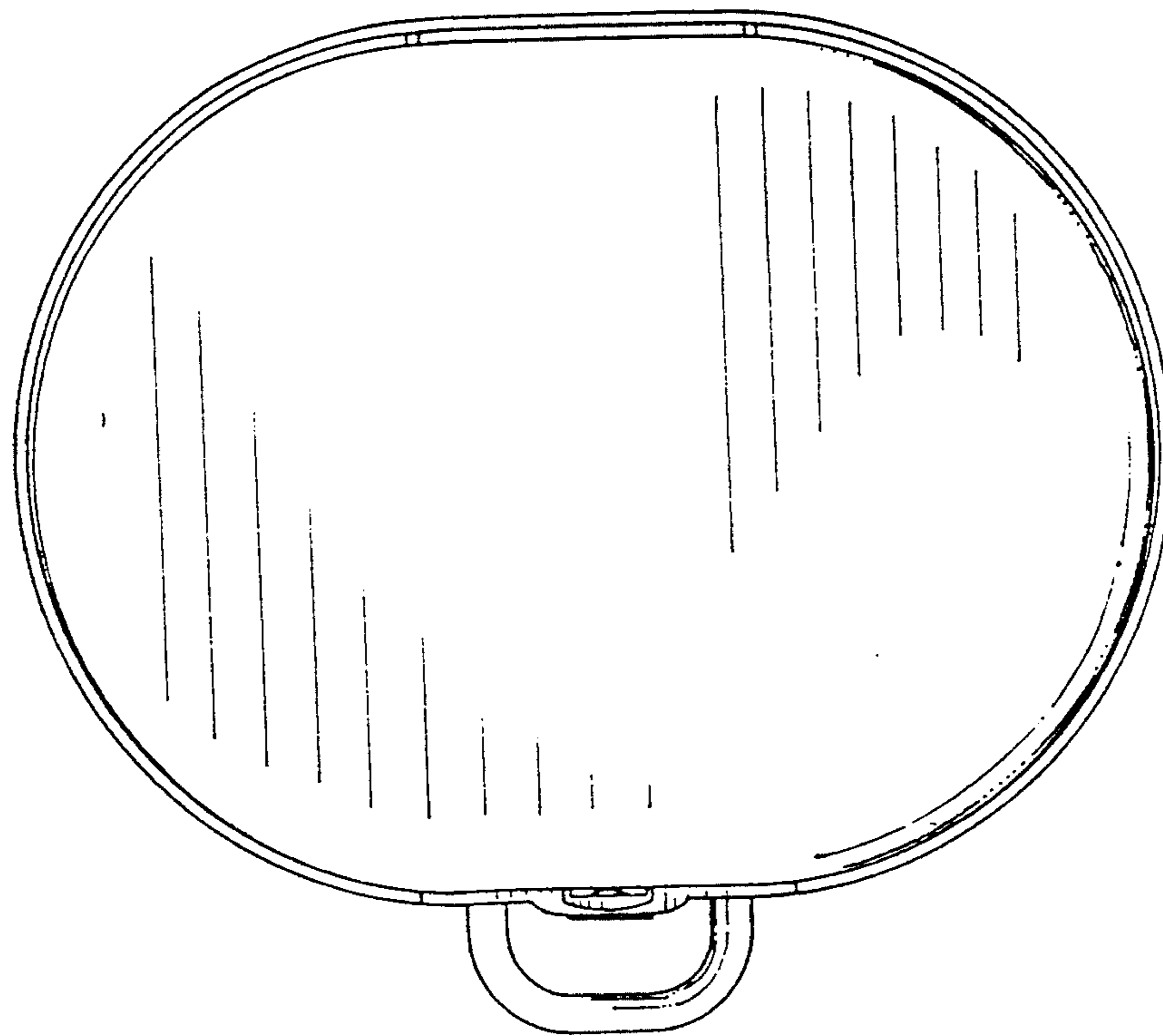


FIG. 6

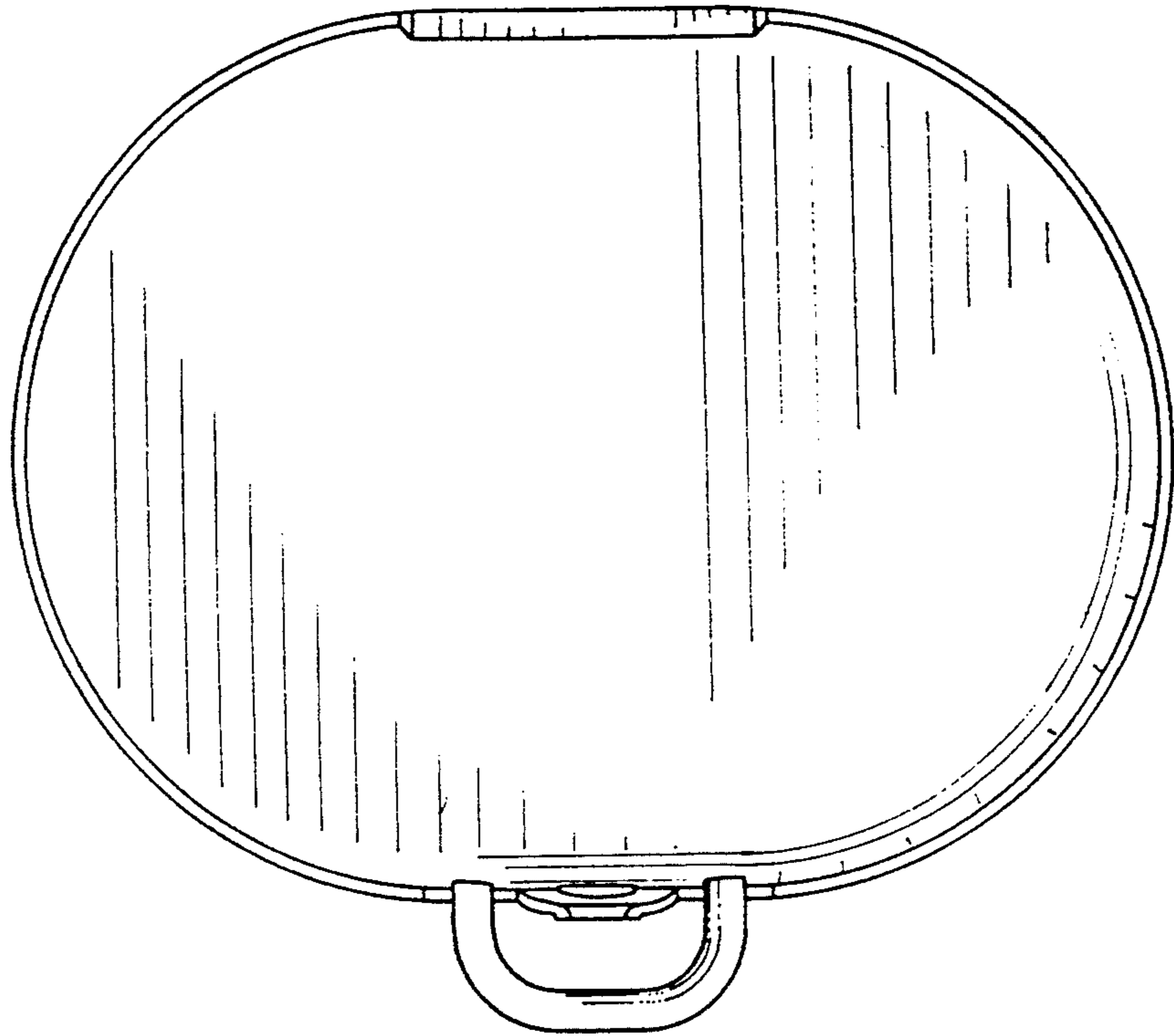


FIG. 7

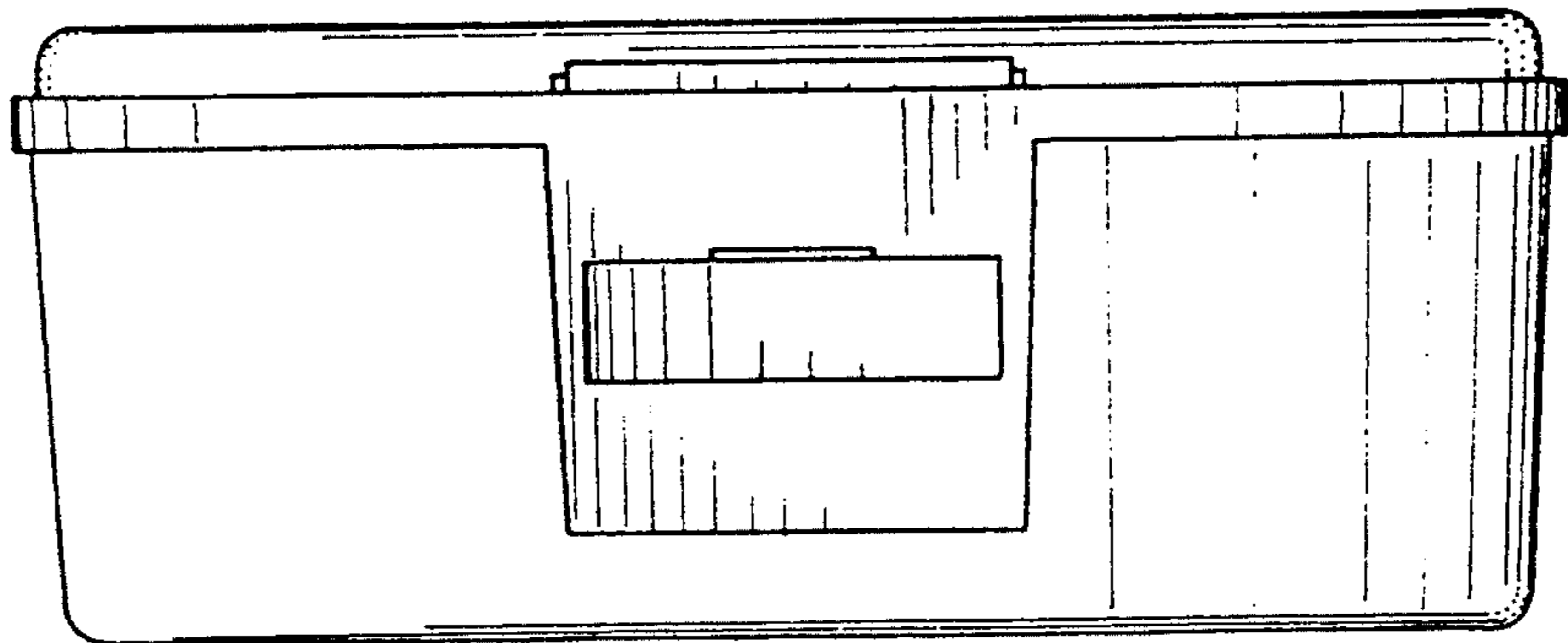


FIG. 5

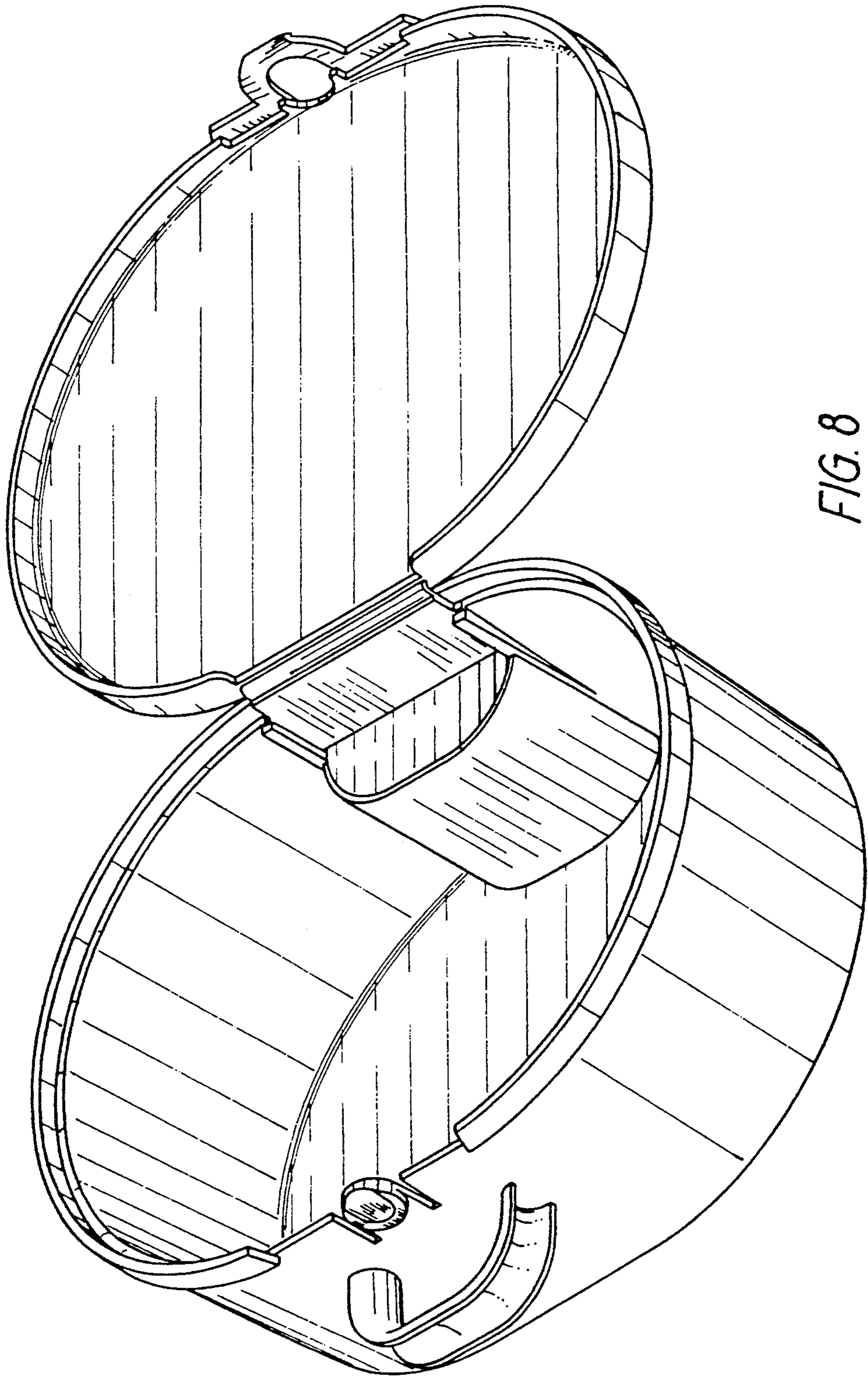


FIG. 8