



US00D345295S

United States Patent [19]

[11] Patent Number: **Des. 345,295**

Davey

[45] Date of Patent: **** Mar. 22, 1994**

[54] **KEY GUIDE**

[76] Inventor: **Douglas R. Davey**, 291 Marguerita, Vista, Calif. 92084

[**] Term: **14 Years**

[21] Appl. No.: **864,064**

[22] Filed: **Apr. 6, 1992**

[52] U.S. Cl. **D8/352; D8/343**

[58] Field of Search **D8/343, 350, 352; 70/431, 450, 452, 454**

[56] **References Cited**

U.S. PATENT DOCUMENTS

D. 281,858	12/1985	Barrows, III et al.	D8/352
D. 334,880	4/1993	Davey	D8/343 X
2,942,452	6/1960	Marchese	70/454
2,993,362	7/1961	Baccola	70/454
3,465,556	9/1969	McIlvenny	70/454
4,910,983	3/1990	Taylor	70/454 X

Primary Examiner—Brian N. Vinson
Attorney, Agent, or Firm—Brown, Martin, Haller & McClain

[57] **CLAIM**

The ornamental design for a key guide, as shown and described.

DESCRIPTION

FIG. 1 is a top and front perspective view of a key guide showing my new design;

FIG. 2 is a top plan view thereof;

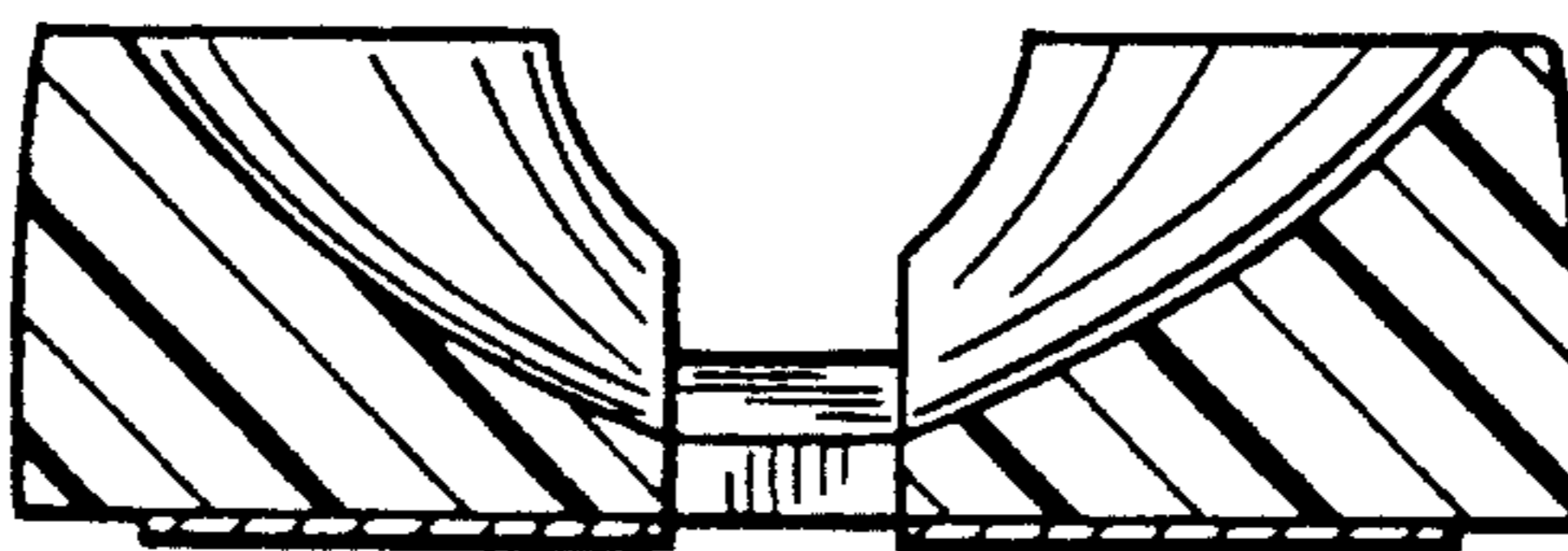
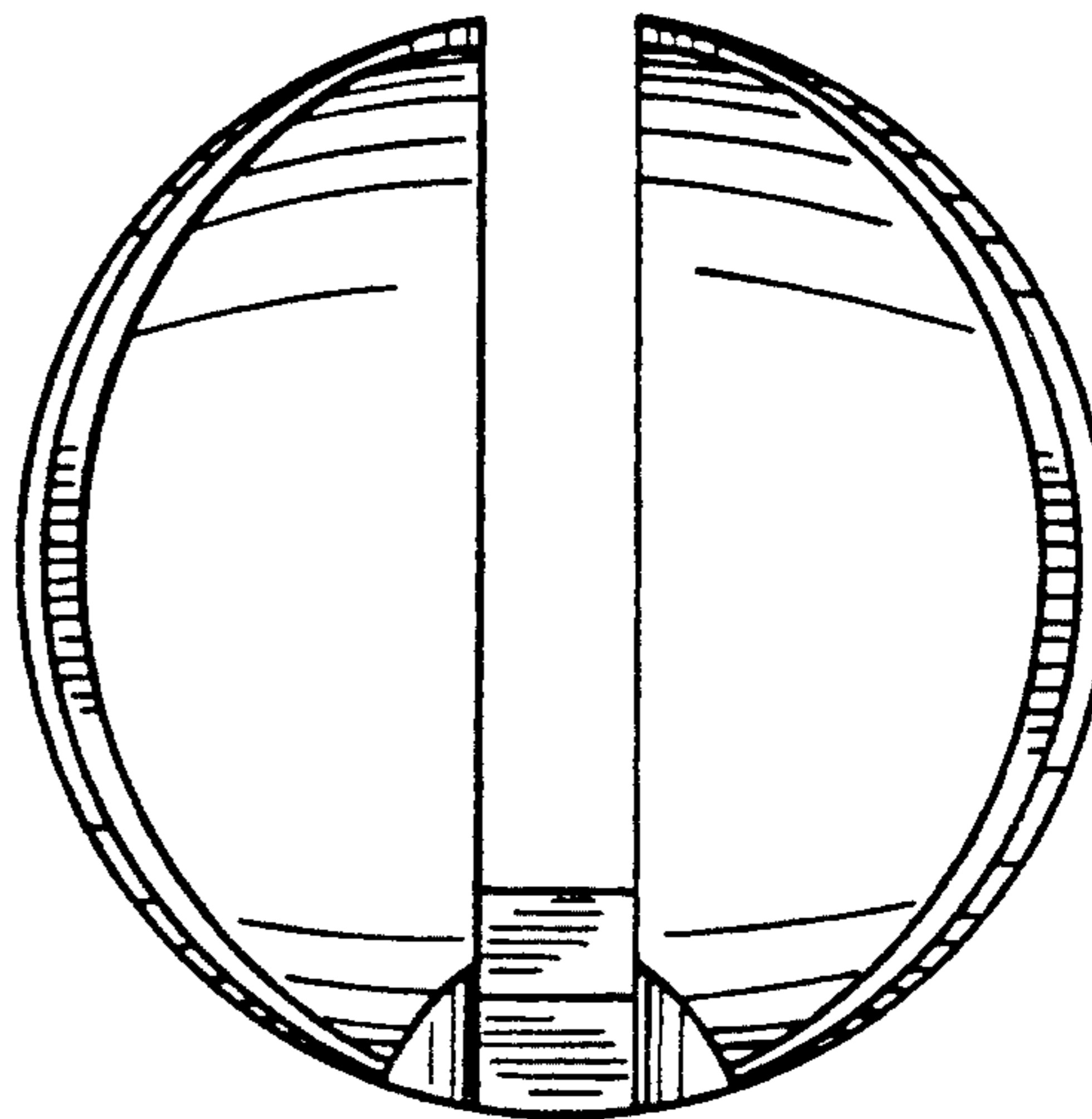
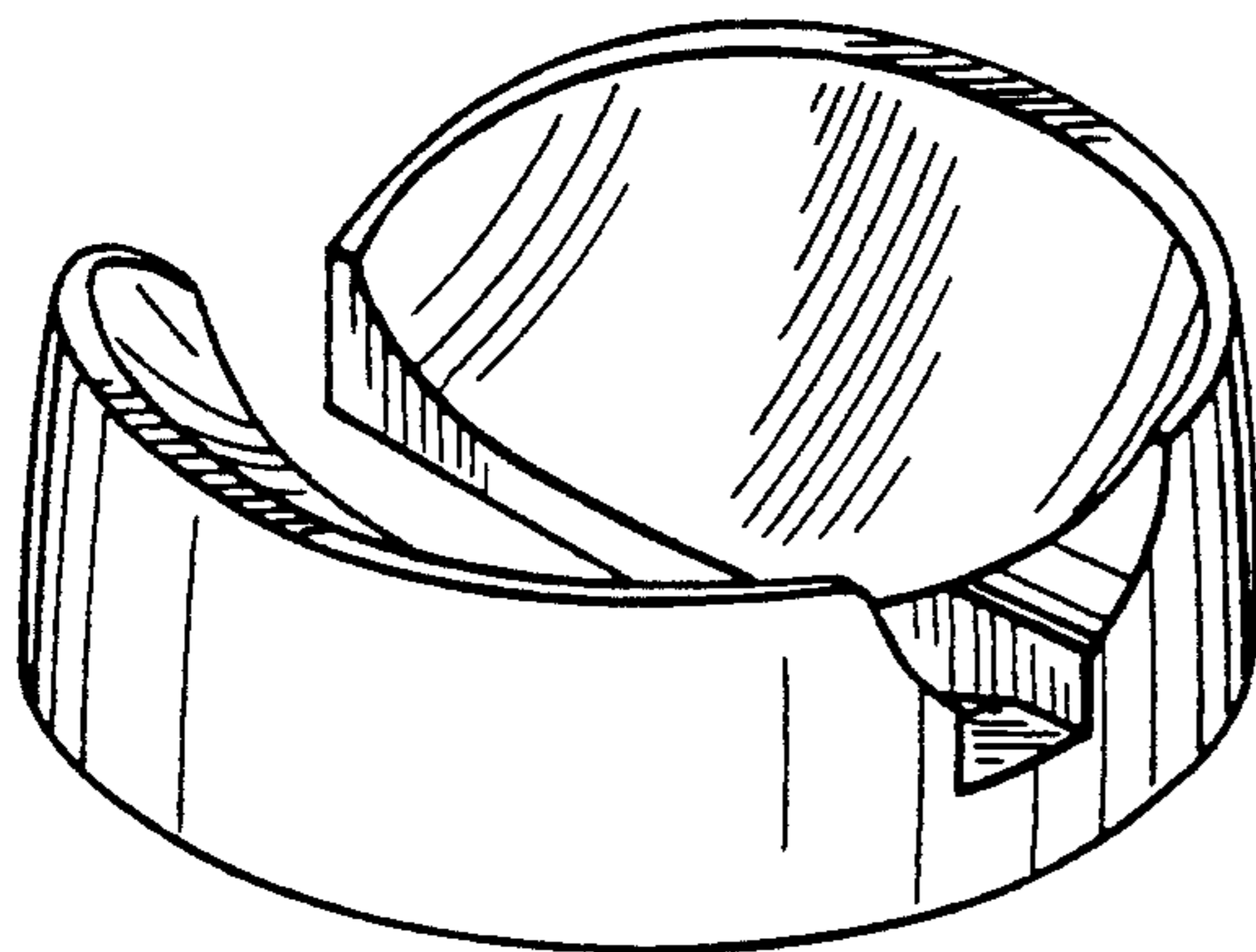
FIG. 3 is a top and side perspective view thereof, the broken-line disclosure of a key being for illustrative purposes only and forming no part of the claimed design;

FIG. 4 is a rear elevational view thereof;

FIG. 5 is a bottom plan view thereof;

FIG. 6 is a vertical cross-sectional view thereof, taken along line 6-6 of FIG. 4; and

FIG. 7 is a vertical cross-sectional view thereof, taken along line 7-7 of FIG. 6.



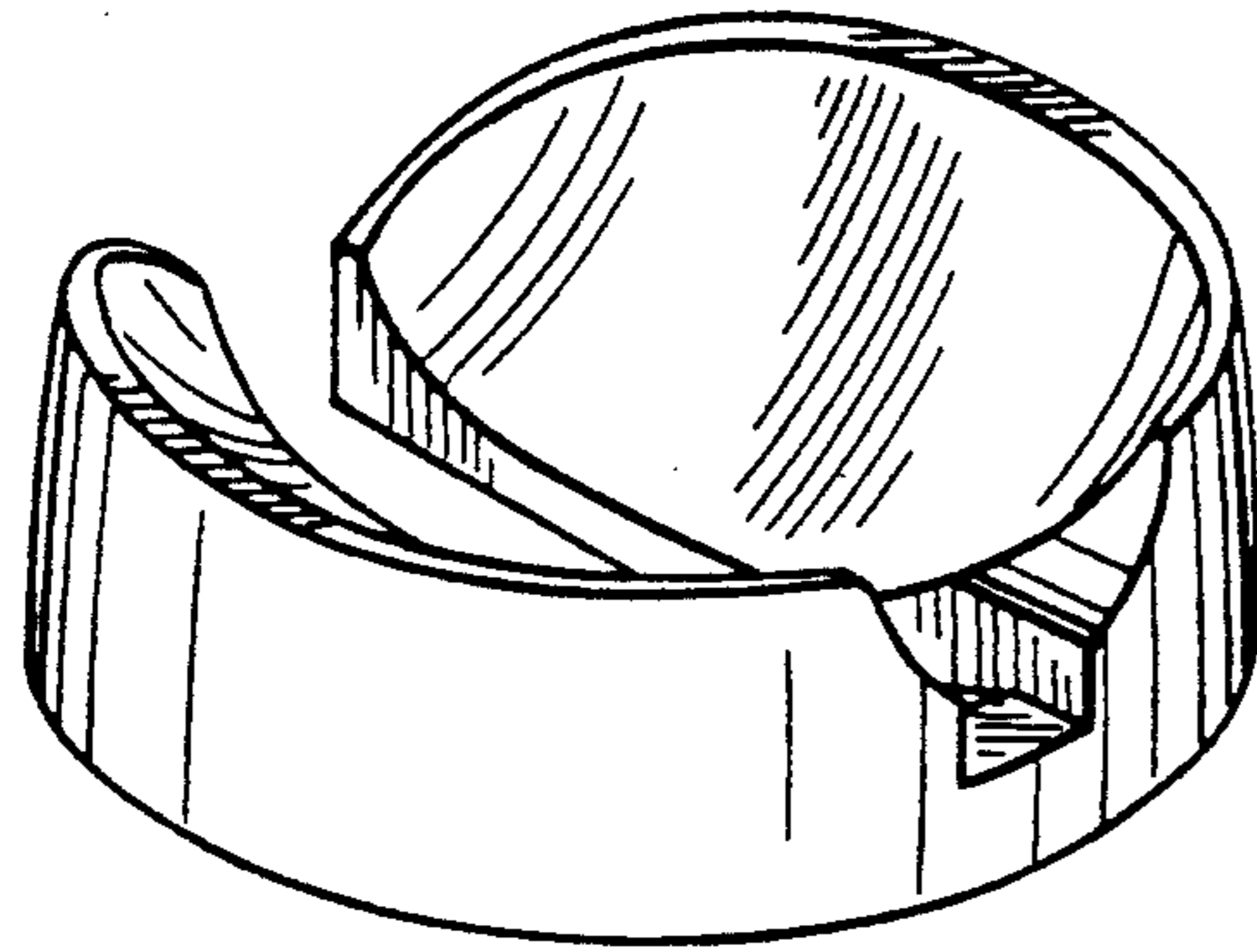


FIG. 1

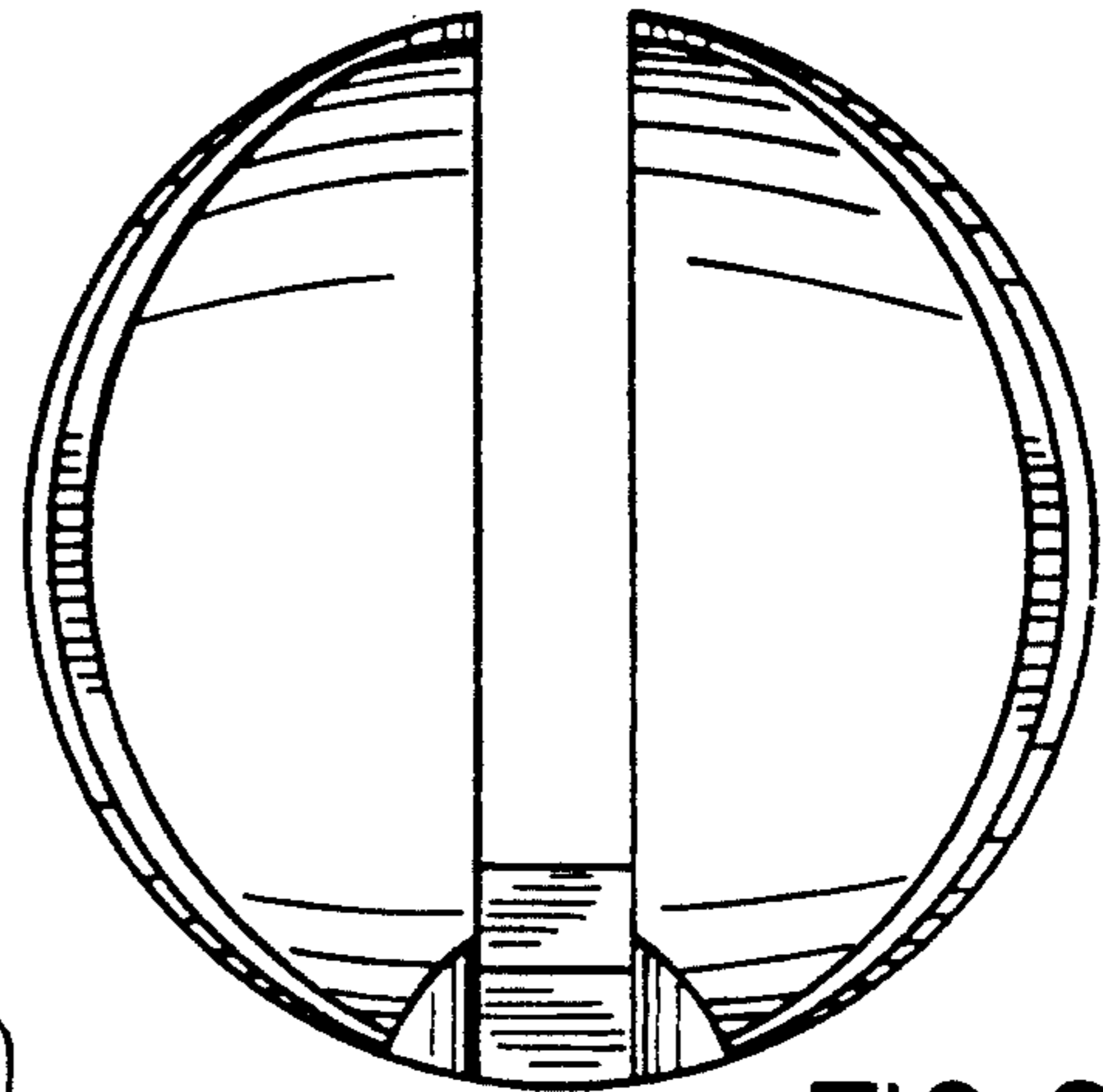


FIG. 2

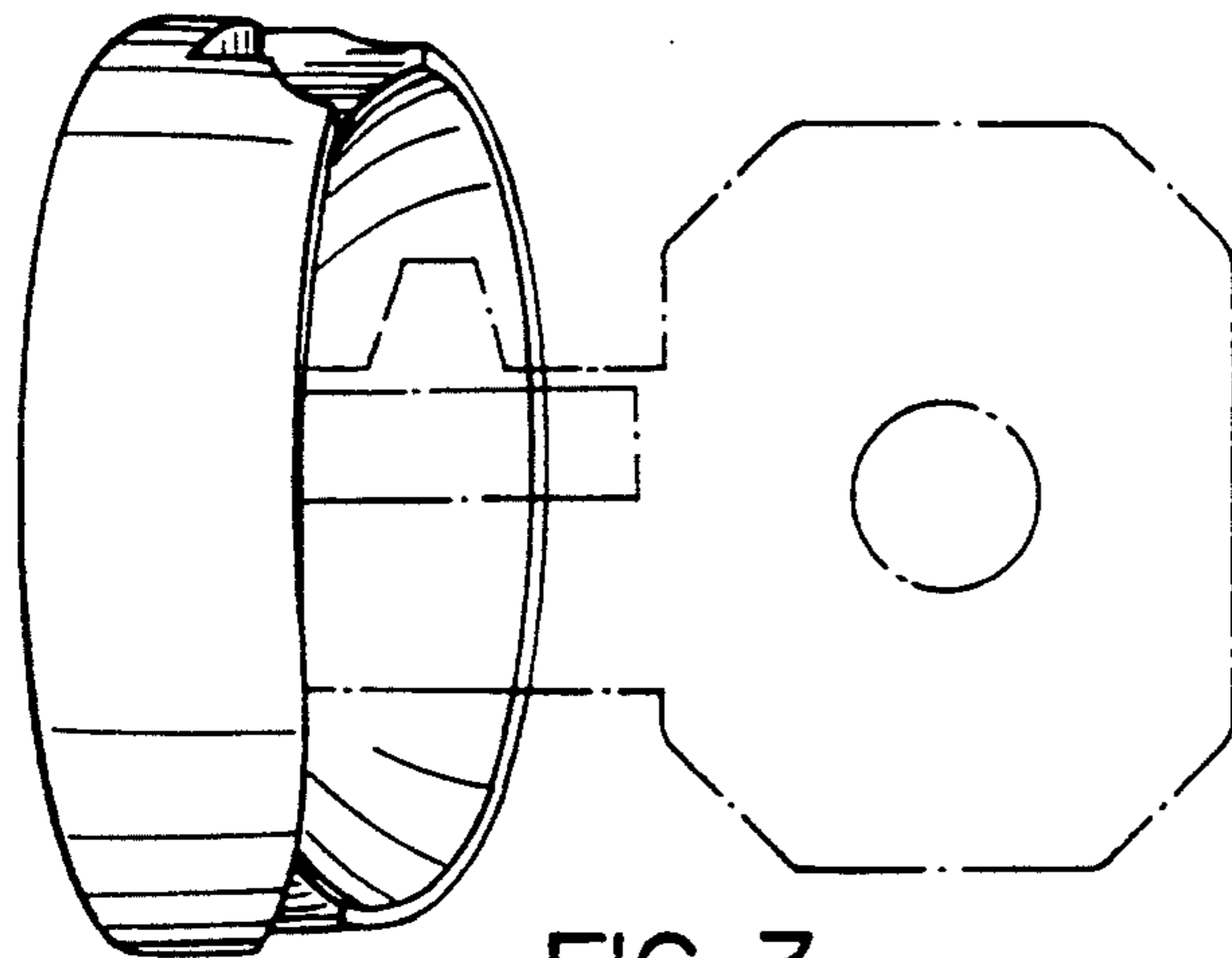


FIG. 3

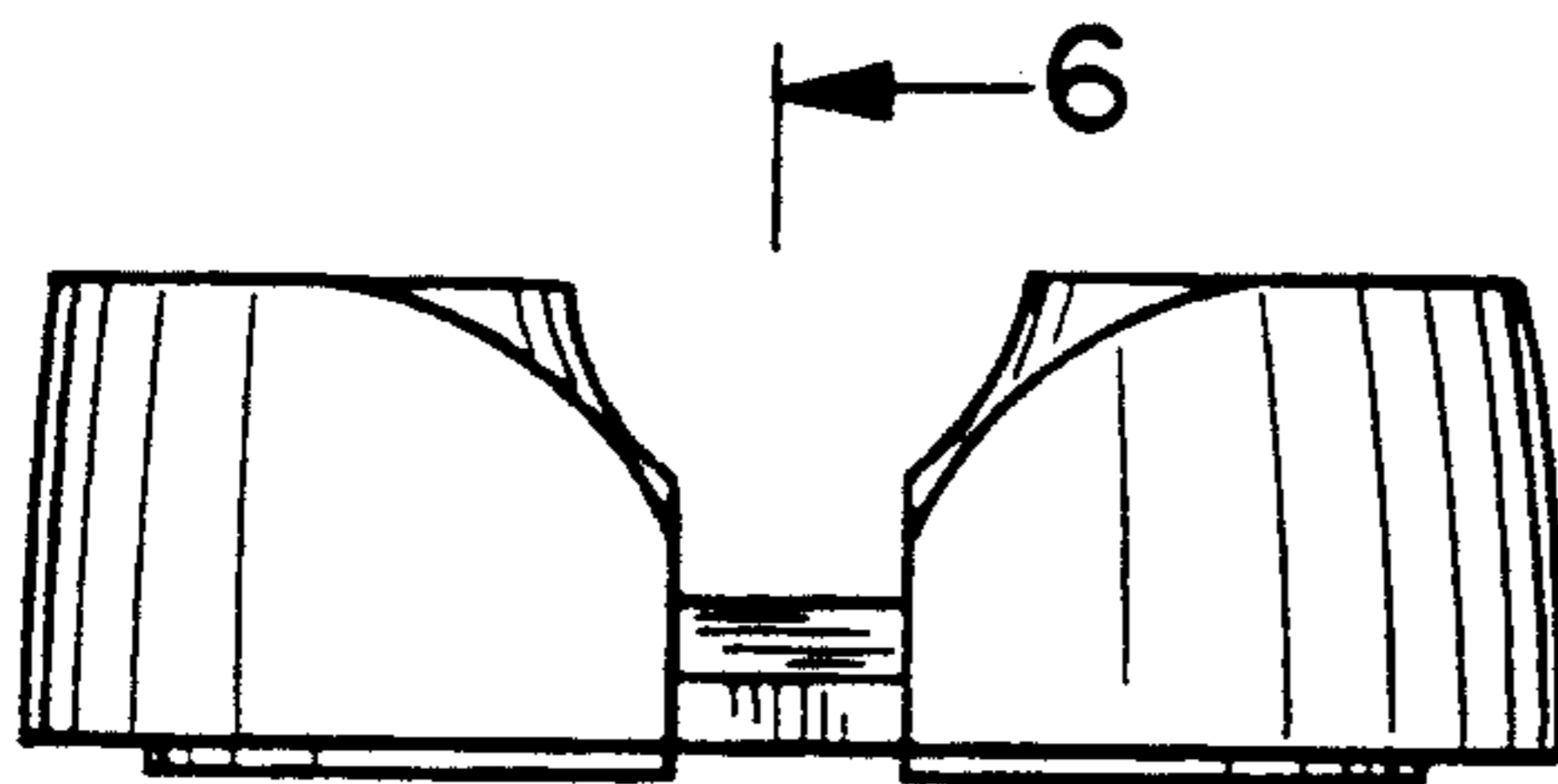


FIG. 4

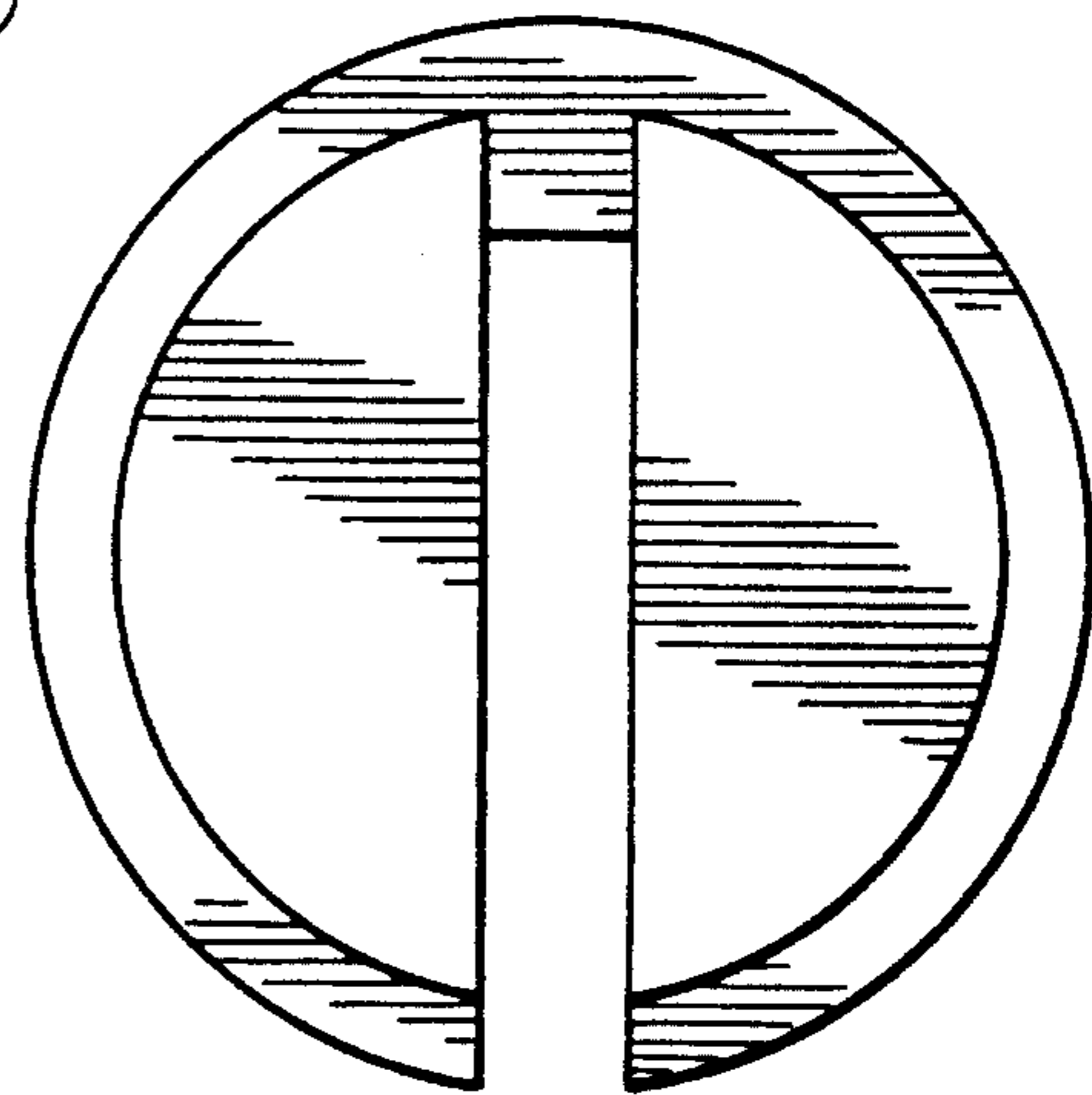


FIG. 5

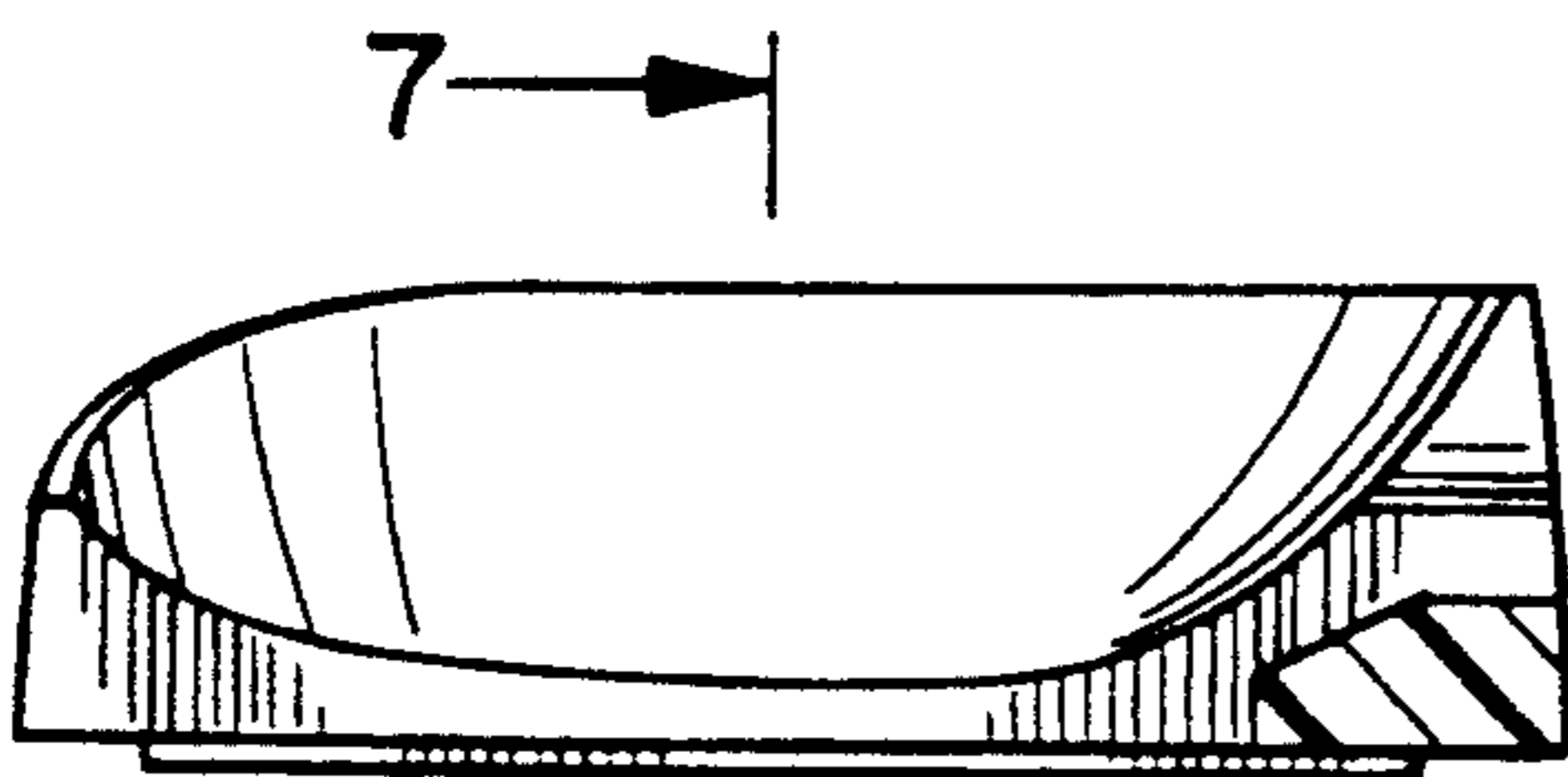


FIG. 6

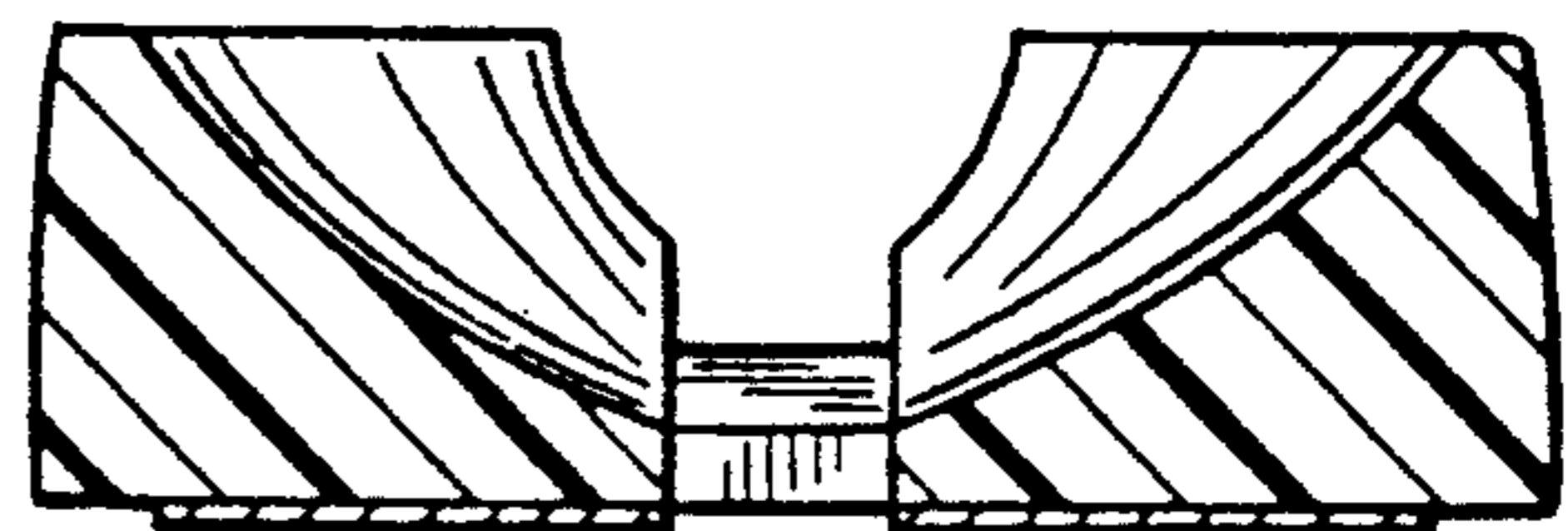


FIG. 7