



US00D345286S

# United States Patent [19]

[11] Patent Number: **Des. 345,286**

**Jorgensen**

[45] Date of Patent: **\*\* Mar. 22, 1994**

[54] **CONDIMENT MILL**

[56] **References Cited**

[75] Inventor: **Carsten Jorgensen, Kriens, Switzerland**

**U.S. PATENT DOCUMENTS**

2,974,887 3/1961 Grandinetti ..... D7/596 X

[73] Assignee: **PI-Design AG, Triengen, Switzerland**

**OTHER PUBLICATIONS**

Gift and Art Buyer, Jun. 1961, p. 26, Pepper Mill.

*Primary Examiner*—Terry A. Wallace  
*Attorney, Agent, or Firm*—J. W. Gipple

[\*\*] Term: **14 Years**

[57] **CLAIM**

The ornamental design for a condiment mill, as shown and described.

[21] Appl. No.: **851,360**

**DESCRIPTION**

[22] Filed: **Mar. 16, 1992**

FIG. 1 is a top, side perspective view of the condiment mill showing my new design;

[52] U.S. Cl. .... **D7/679**

FIG. 2 is a front elevational view thereof;

[58] Field of Search ..... **D7/372-373,**

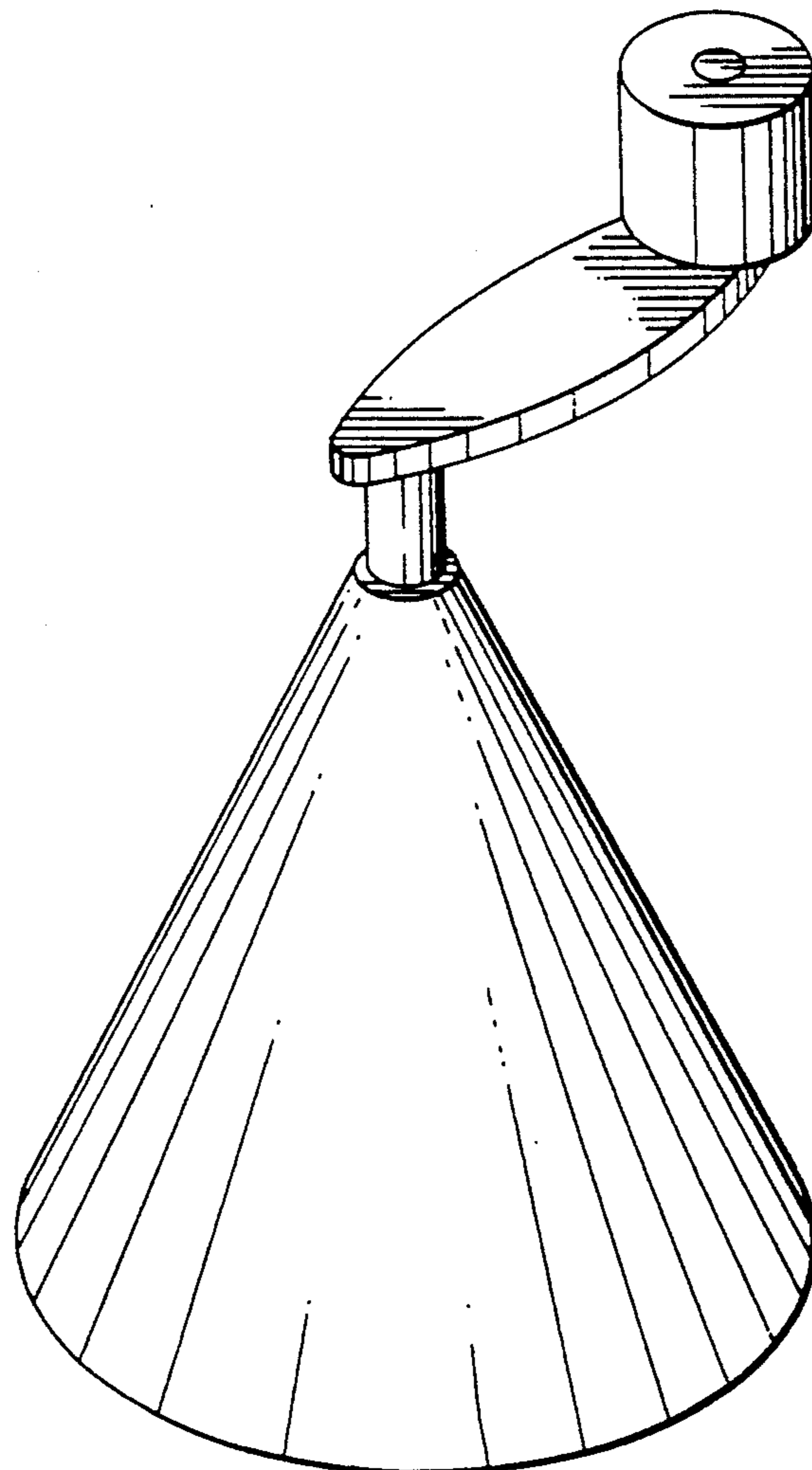
FIG. 3 is a side elevational view thereof;

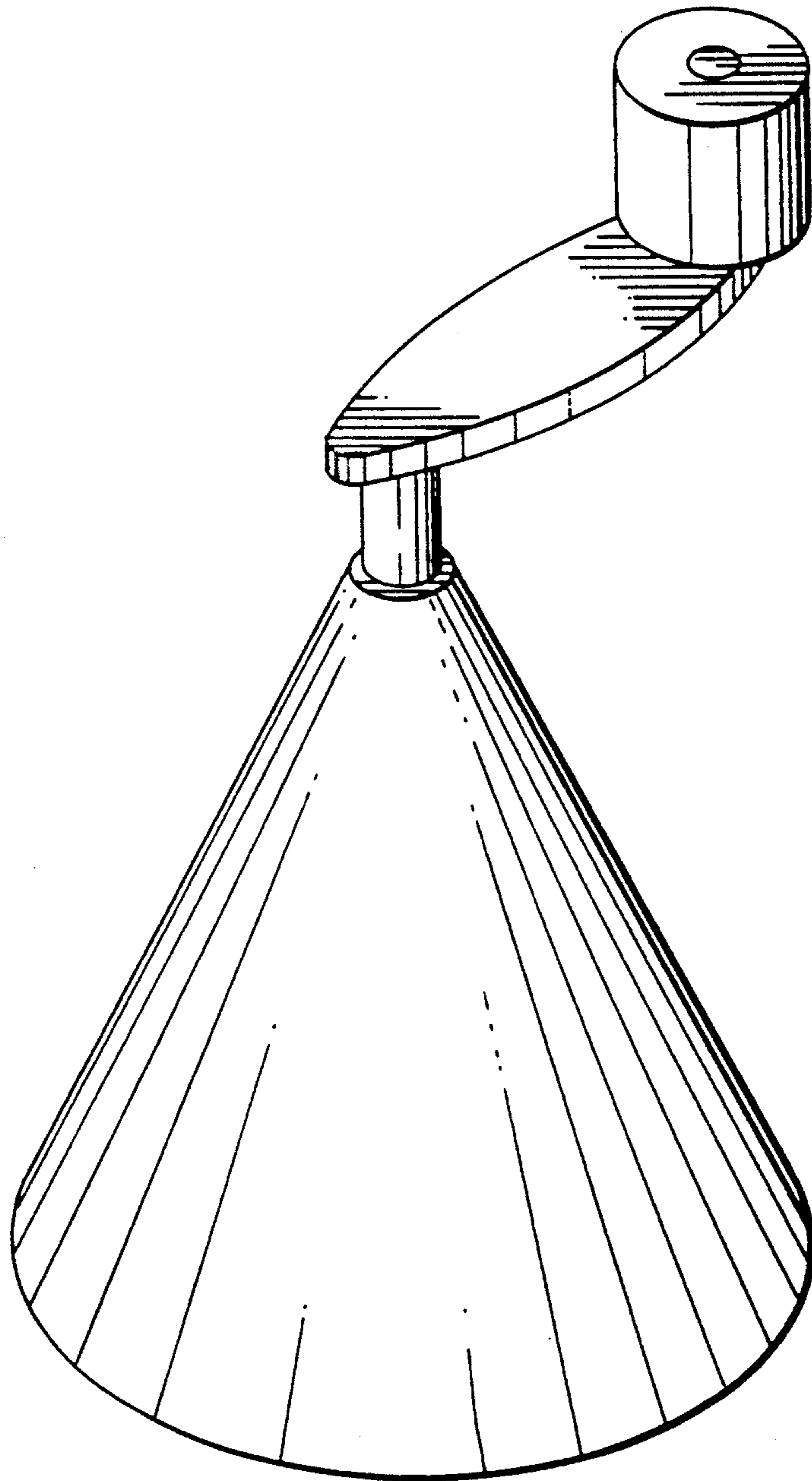
**D7/590-597, 679; 222/142.1-142.9; 241/168, 169.1**

FIG. 4 is a bottom plan view thereof;

FIG. 5 is a top plan view thereof; and,

FIG. 6 is a rear elevational view thereof.





**FIG. 1**

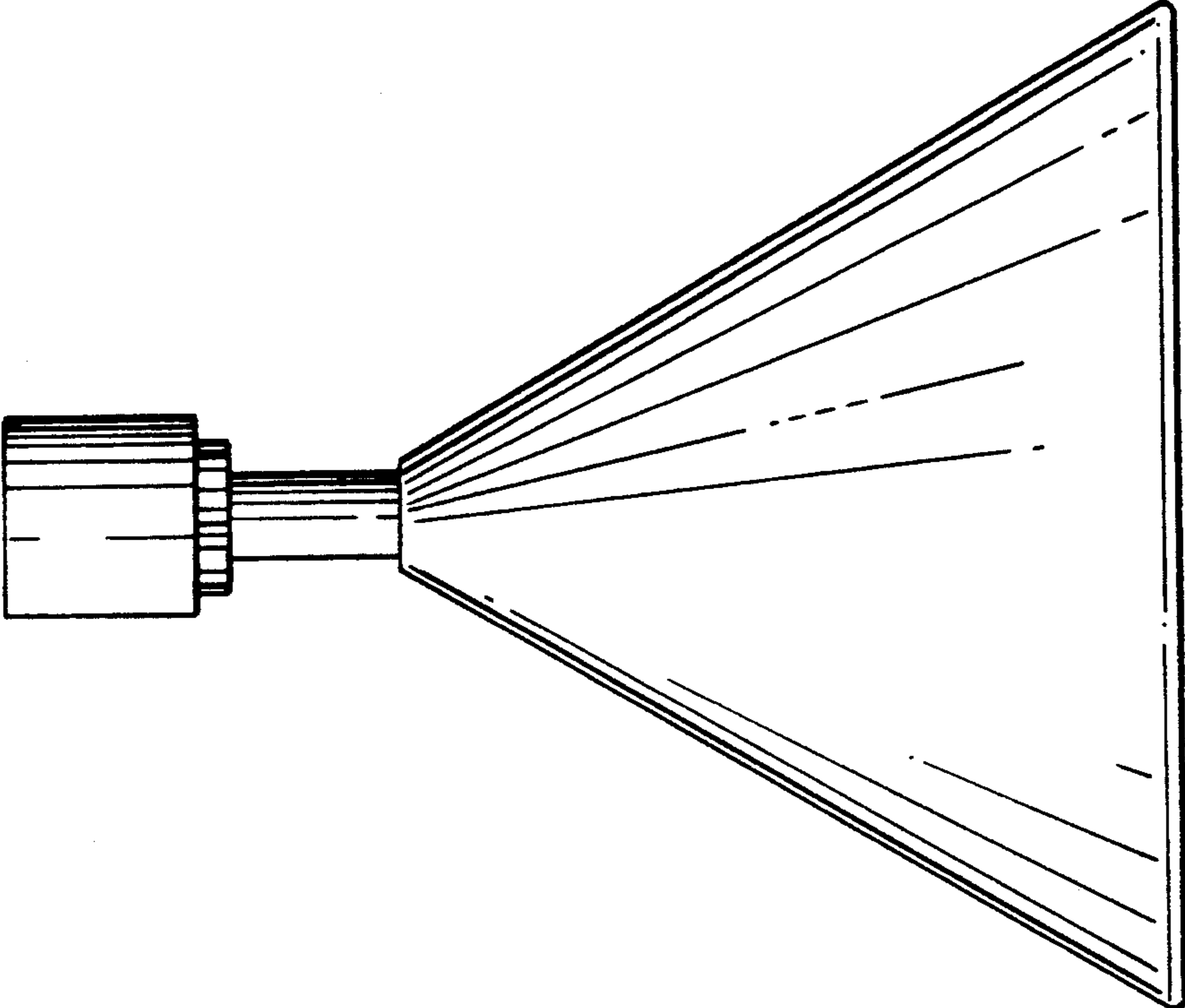


FIG. 3

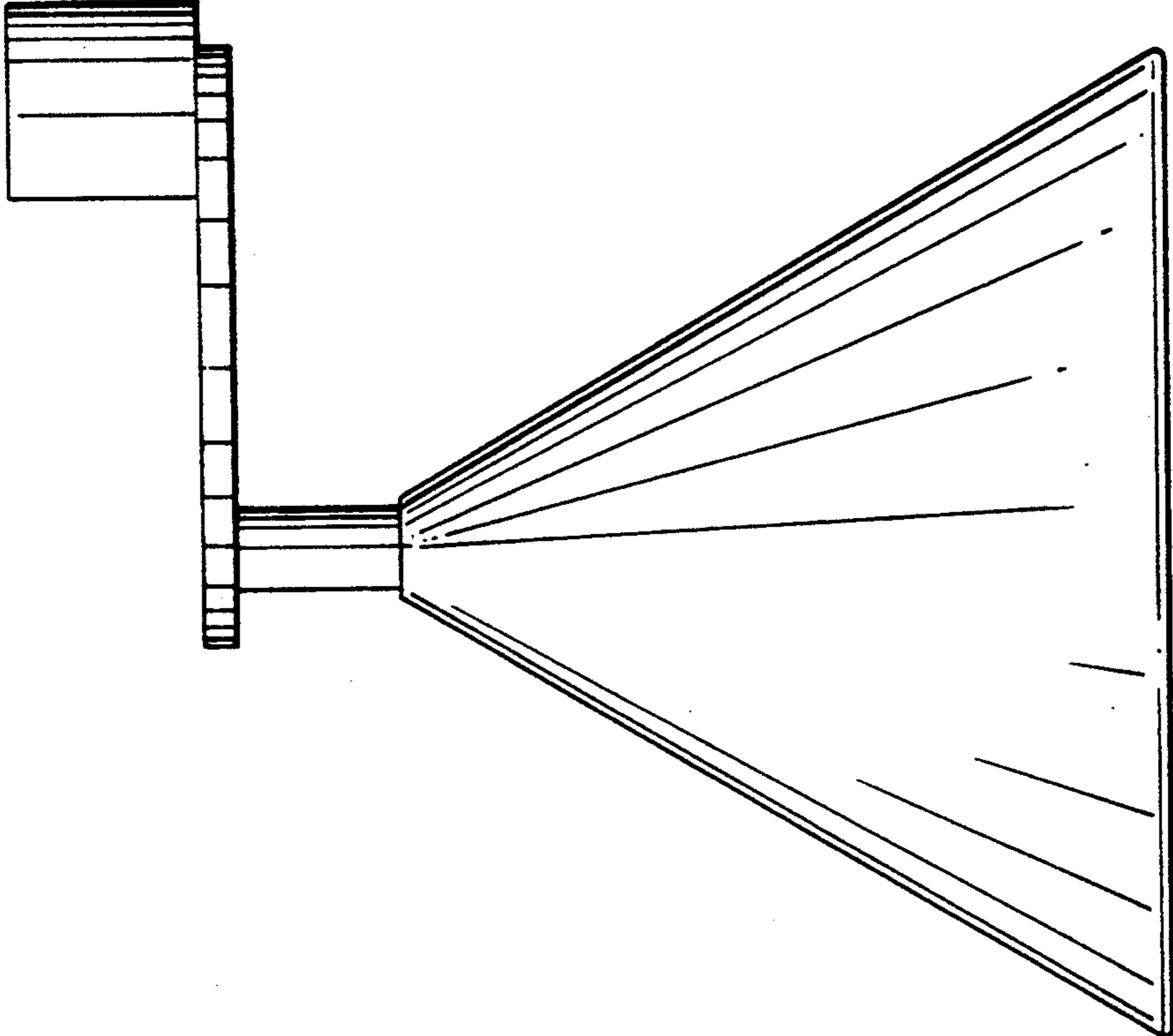


FIG. 2

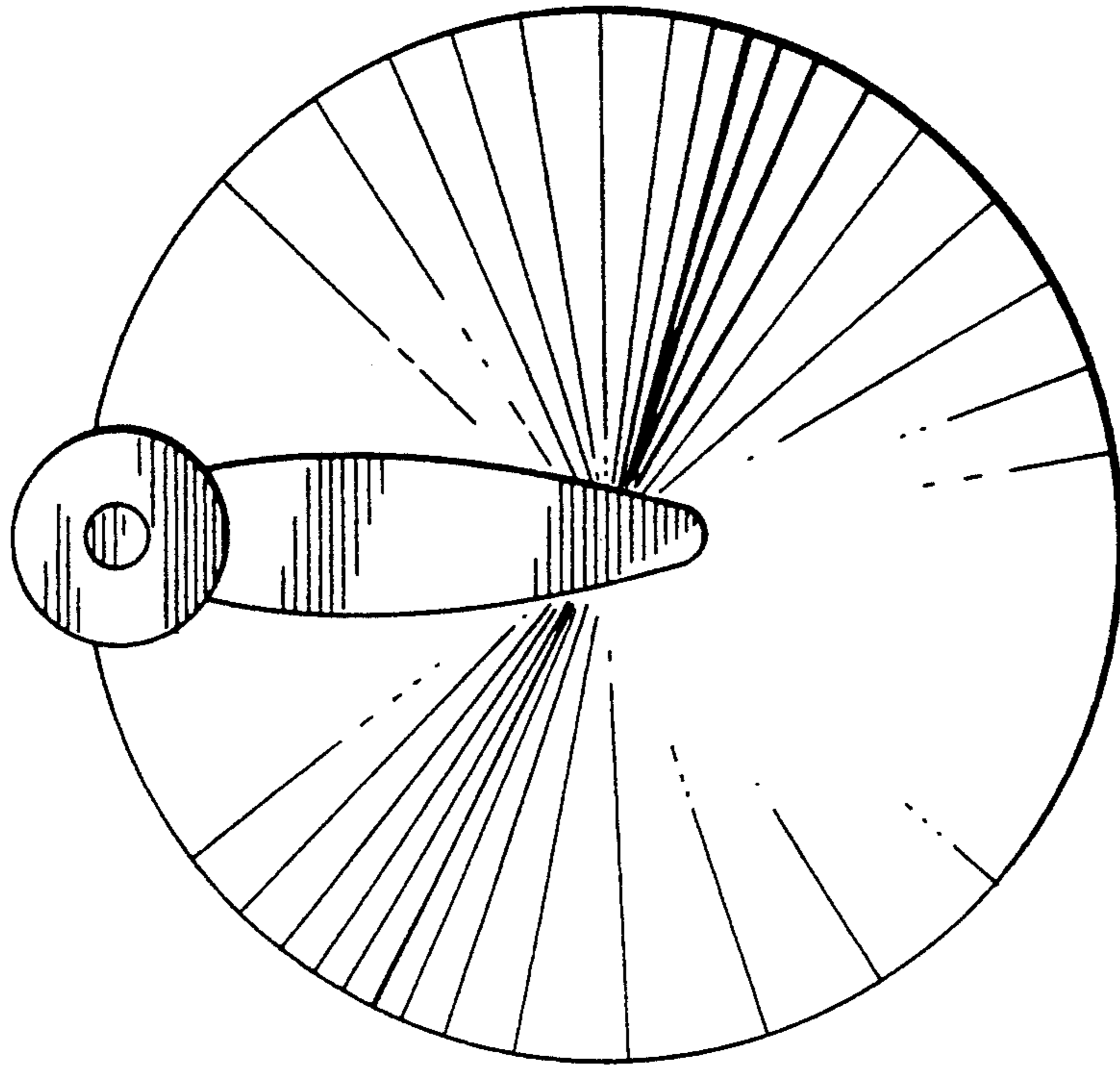


FIG. 5

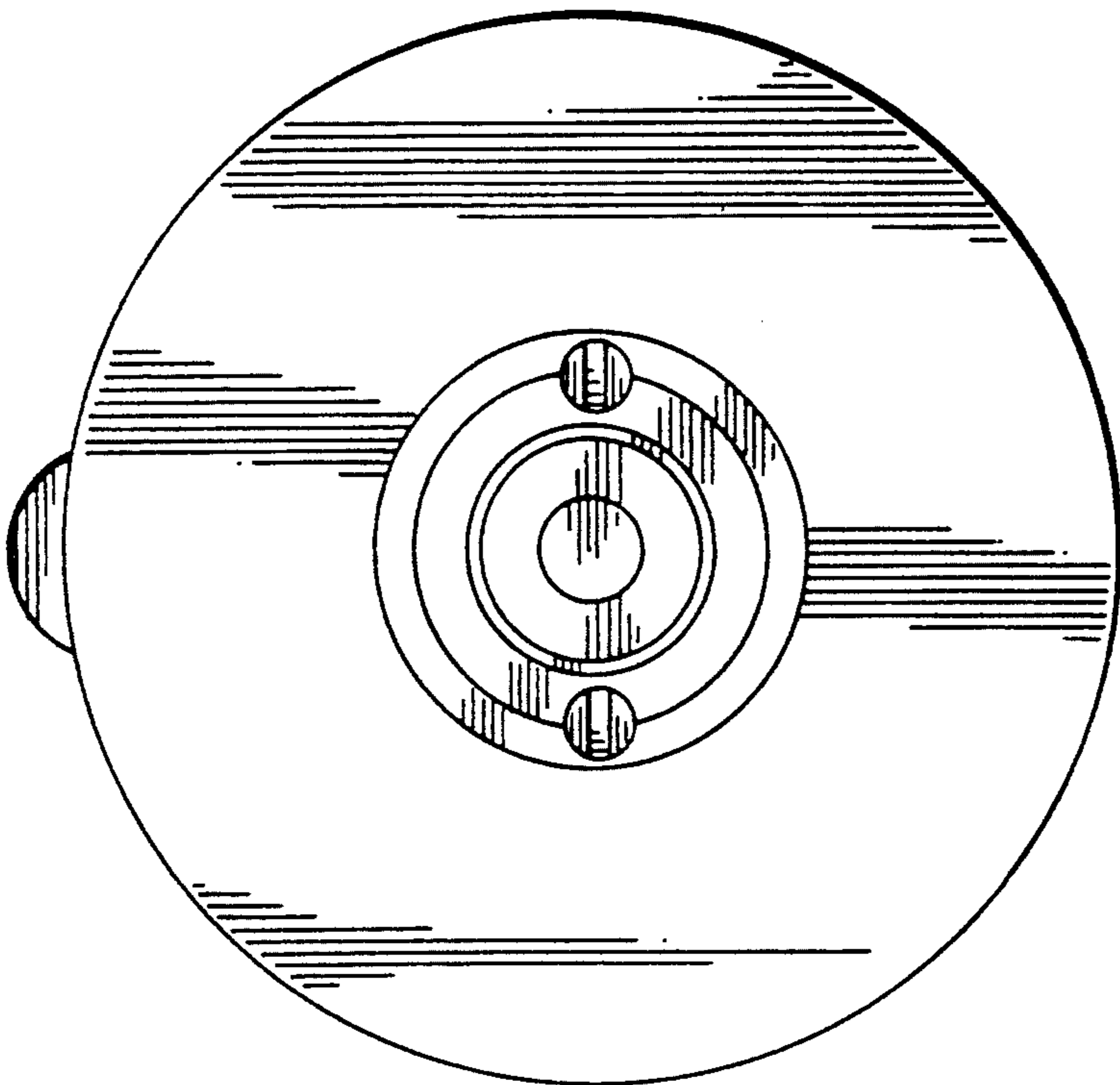
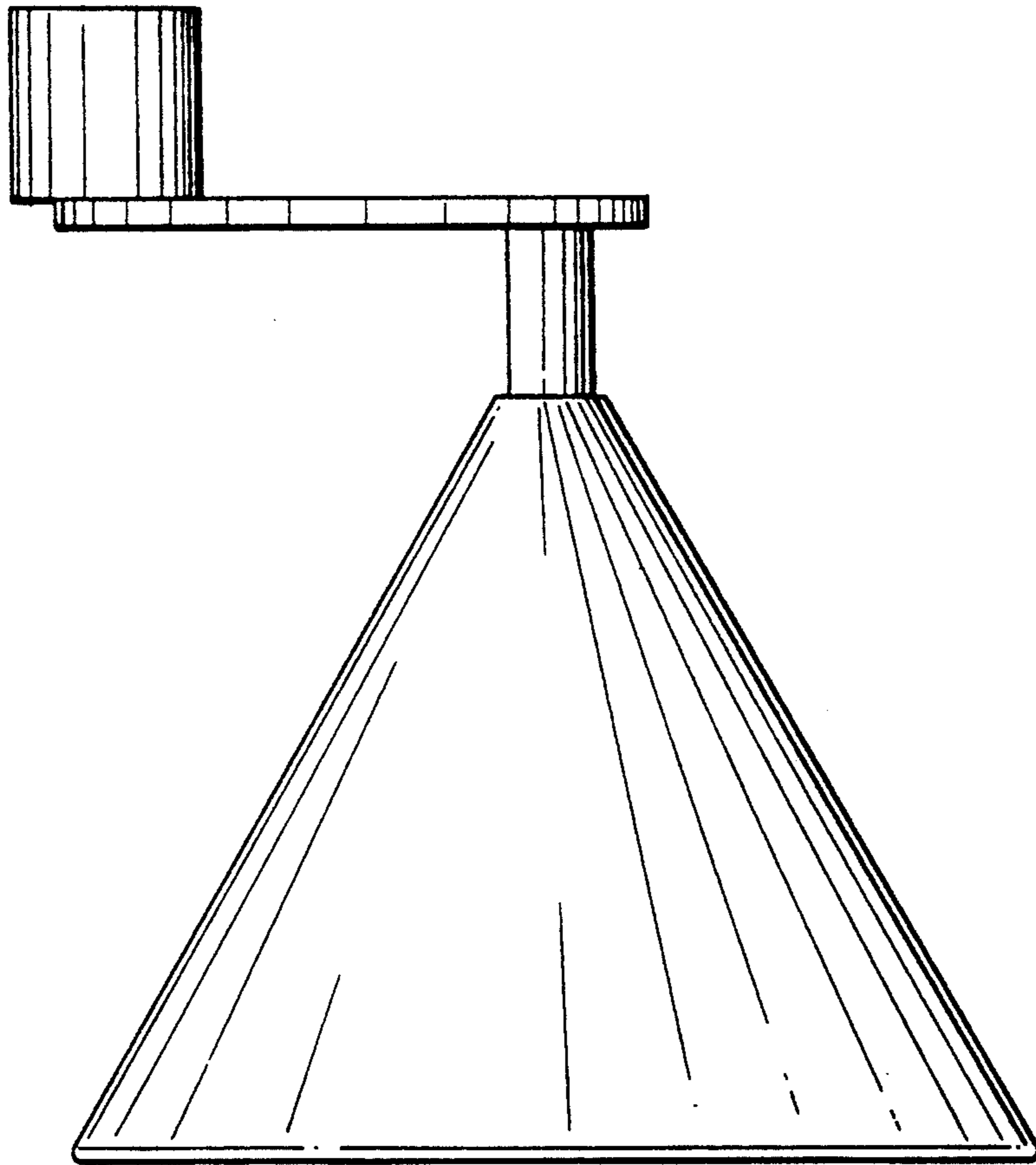


FIG. 4



*FIG. 6*