



US00D345282S

# United States Patent [19]

[11] Patent Number: **Des. 345,282**

**Henninger**

[45] Date of Patent: **\*\* Mar. 22, 1994**

[54] **LEVER FOR BEVERAGE DISPENSING APPARATUS**

4,549,675 10/1985 Austin ..... 222/129.1

[75] Inventor: **William K. Henninger**, Southington, Conn.

[73] Assignee: **Wilshire Partners**, Cleveland, Ohio

[\*\*] Term: **14 Years**

[21] Appl. No.: **902,297**

[22] Filed: **Jun. 19, 1992**

[52] U.S. Cl. .... **D7/393; D7/397**

[58] Field of Search ..... **D7/387, 393, 397, 394, D7/395, 300, 304, 306, 307, 308, 602, 309, 311; 222/129.1, 185, 340, 129.2-129.4; 99/293; 141/198, 207, 234, 94, 361; D20/1, 4**

[56] **References Cited**

**U.S. PATENT DOCUMENTS**

D. 140,046	1/1945	Behl .....	D7/394
D. 181,853	1/1958	Hodgmann .....	D7/300
D. 276,586	12/1984	Hanna .....	D7/393 X
D. 276,695	12/1984	Hanna .....	D7/393
D. 276,814	12/1984	Koeneman et al. ....	D7/308 X
D. 284,540	7/1986	Baumgarten .....	D7/393
D. 300,403	3/1989	Holcomb .....	D7/395 X
D. 301,193	5/1989	Schechter et al. ....	D7/308
3,373,937	3/1968	Yuza .....	239/11

**OTHER PUBLICATIONS**

SF1-Valve by Cornelius pp. 62-O Jun. 1, 1982 Re-straunts & Institutions.

*Primary Examiner*—Alan P. Douglas  
*Assistant Examiner*—M. N. Pandozzi  
*Attorney, Agent, or Firm*—Body, Vickers & Daniels

[57] **CLAIM**

The ornamental design for a lever for beverage dispensing apparatus, as shown and described.

**DESCRIPTION**

FIG. 1 is a perspective front elevational view of a lever for beverage dispensing apparatus showing my new design;

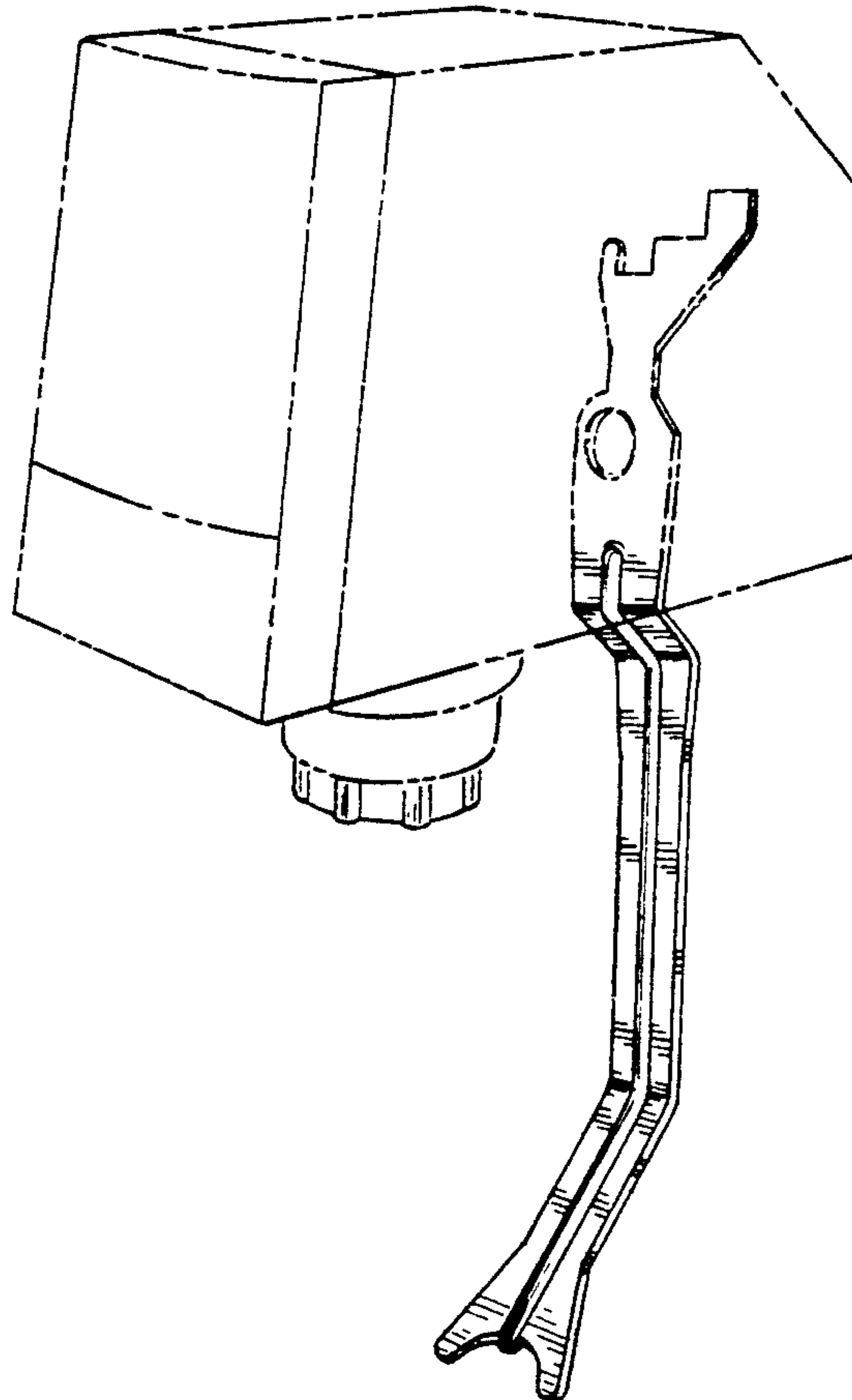
FIG. 2 is a front elevational view thereof;

FIG. 3 is a side elevational view thereof, looking in the direction from right to left in FIG. 2, the view from the opposite side being identical;

FIG. 4 is a rear elevational view thereof; and,

FIG. 5 is a bottom view thereof.

The broken line showing of a beverage dispensing apparatus in FIG. 1, and an upper portion of a lever in FIGS. 1-5 is for illustrative purposes only and forms no part of the claimed design.



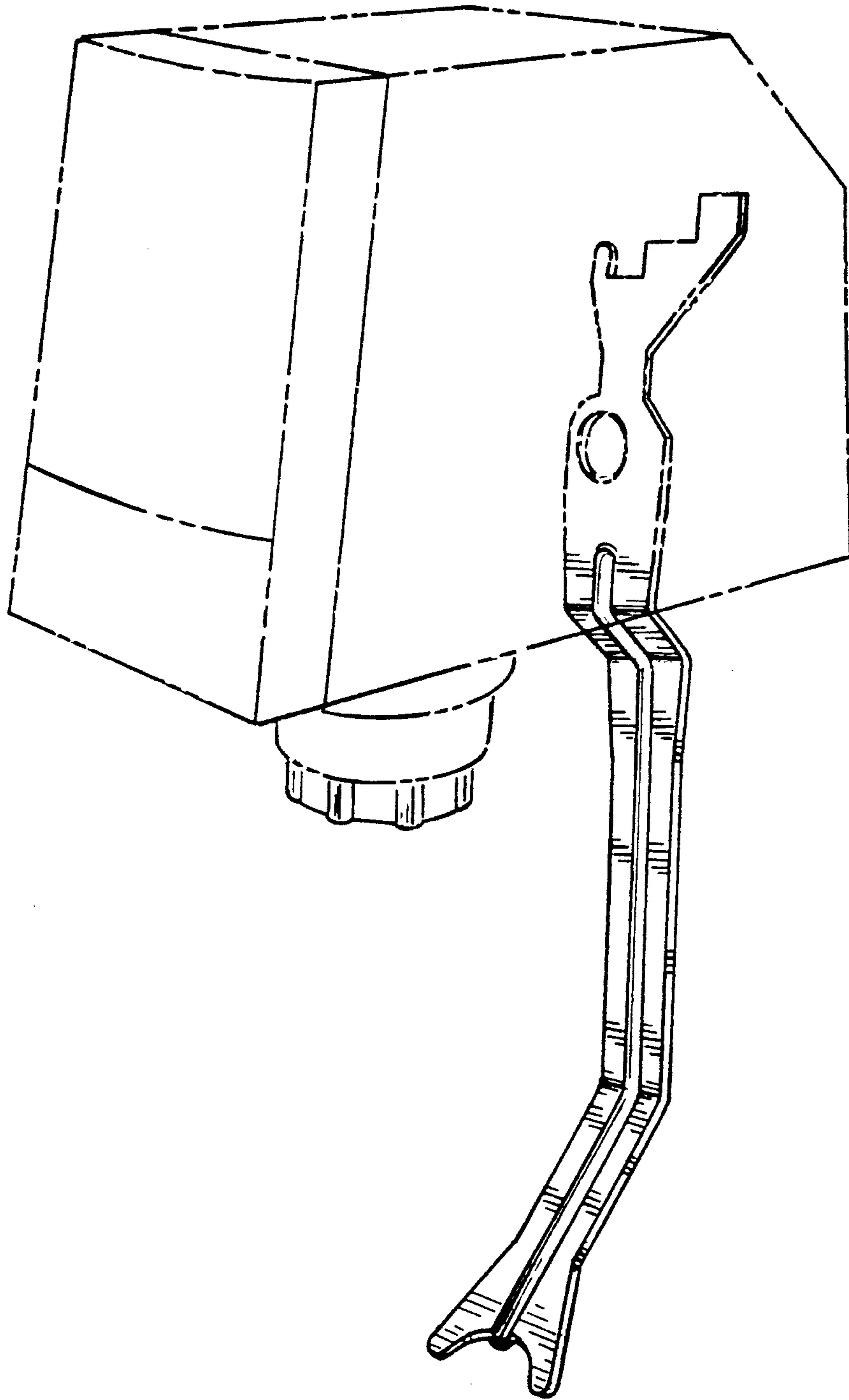


FIG. 1

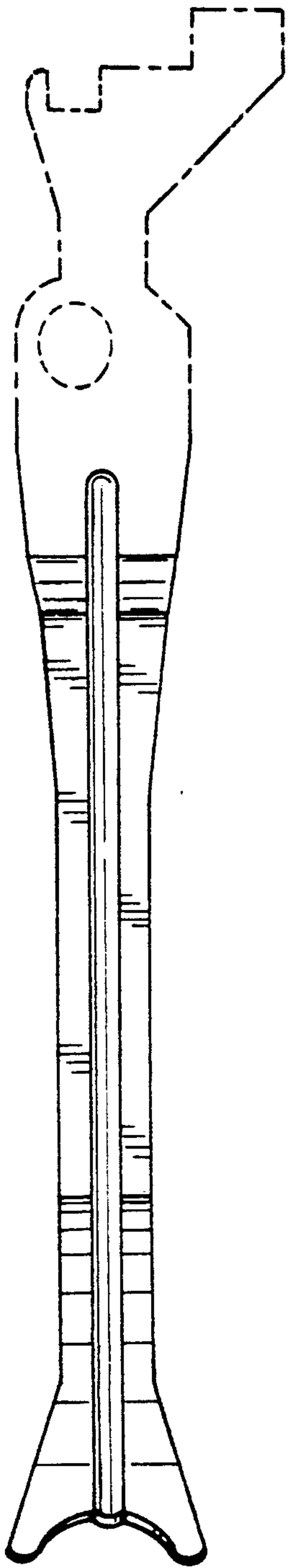


FIG. 2

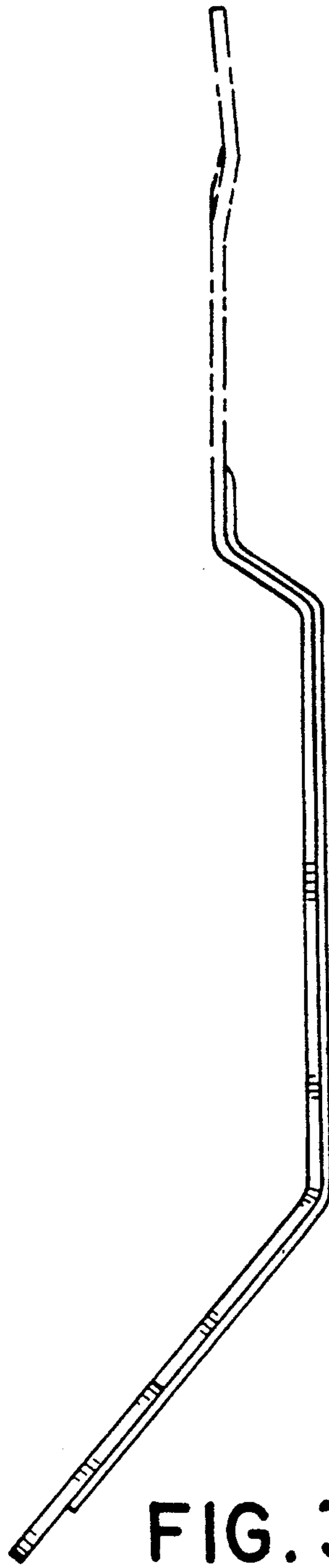


FIG. 3

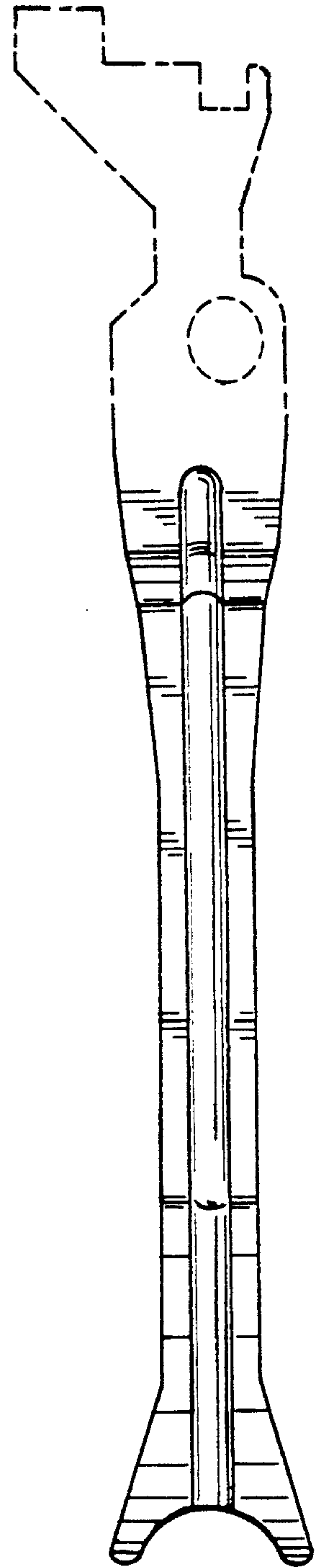


FIG. 4

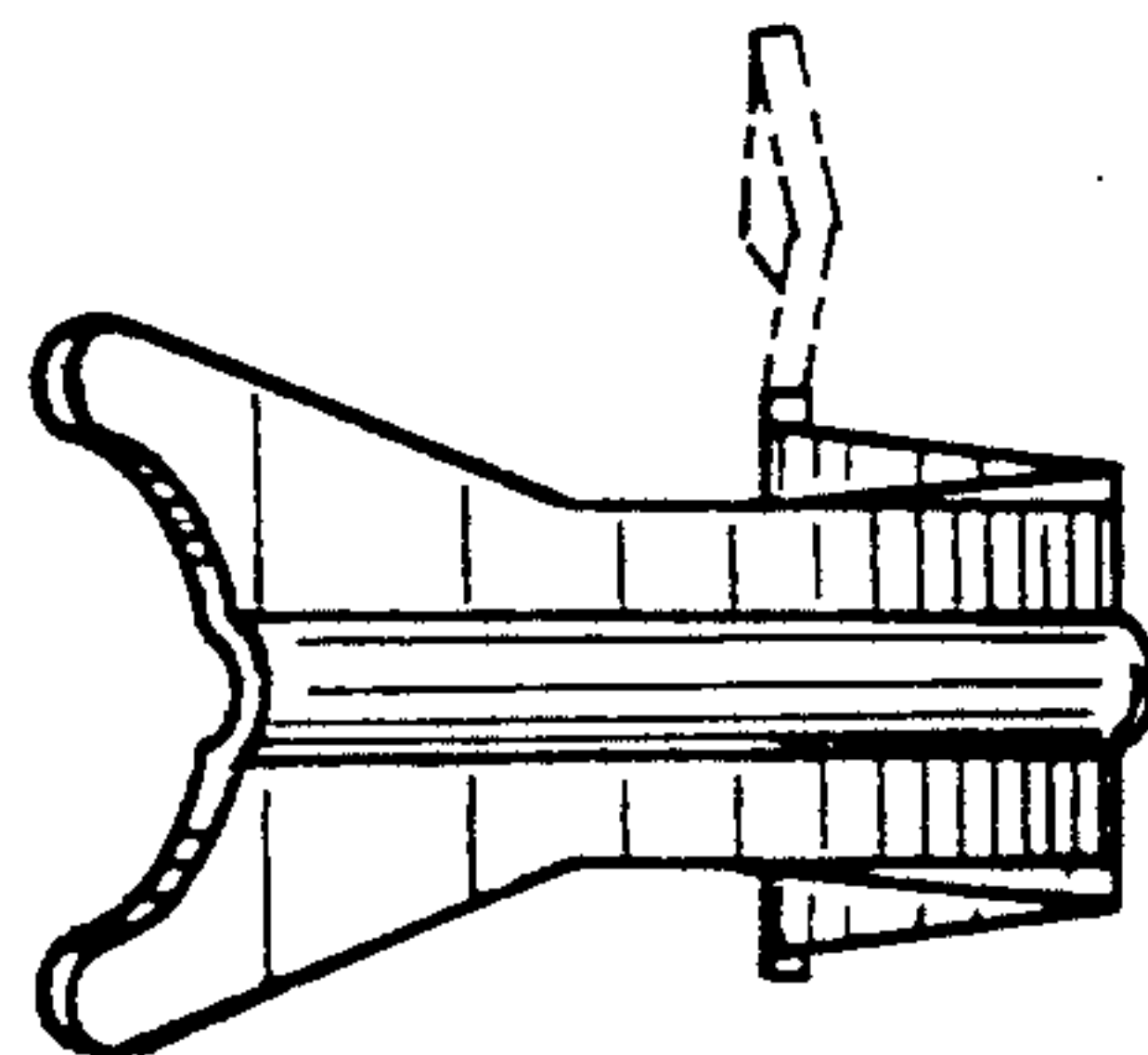


FIG. 5