



US00D345281S

# United States Patent [19]

[11] Patent Number: **Des. 345,281**

**Mauffrey**

[45] Date of Patent: **\*\* Mar. 22, 1994**

- [54] **DEEP-FRYING APPLIANCE**
- [75] Inventor: **Guy Mauffrey, Breuchotte, France**
- [73] Assignee: **Vogalu S.A., Faucongy, France**
- [\*\*] Term: **14 Years**
- [21] Appl. No.: **9,241**
- [22] Filed: **Jun. 9, 1993**

- D. 313,531 1/1991 Barrault ..... D7/360
- 4,636,618 1/1987 Jenicot ..... D7/354 X
- 4,995,312 2/1991 Leiros ..... D7/354 X

### OTHER PUBLICATIONS

"Danish Design Publication, *Dansk Monstertidende*", May 3, 1991, p. 469.

*Primary Examiner*—Alan P. Douglas  
*Assistant Examiner*—Caron D. Veynar  
*Attorney, Agent, or Firm*—Young & Thompson

### Related U.S. Application Data

- [63] Continuation of Ser. No. 801,170, Dec. 2, 1991, abandoned.

### Foreign Application Priority Data

- Jun. 6, 1991 [FR] France ..... 913491
- [52] U.S. Cl. .... **D7/354; D7/323**
- [58] Field of Search ..... D7/323, 354, 356, 358,  
D7/360; 219/429, 432, 438, 440; 99/331, 403,  
410, 411, 413

### CLAIM

The ornamental design for deep-frying appliance, as shown and described.

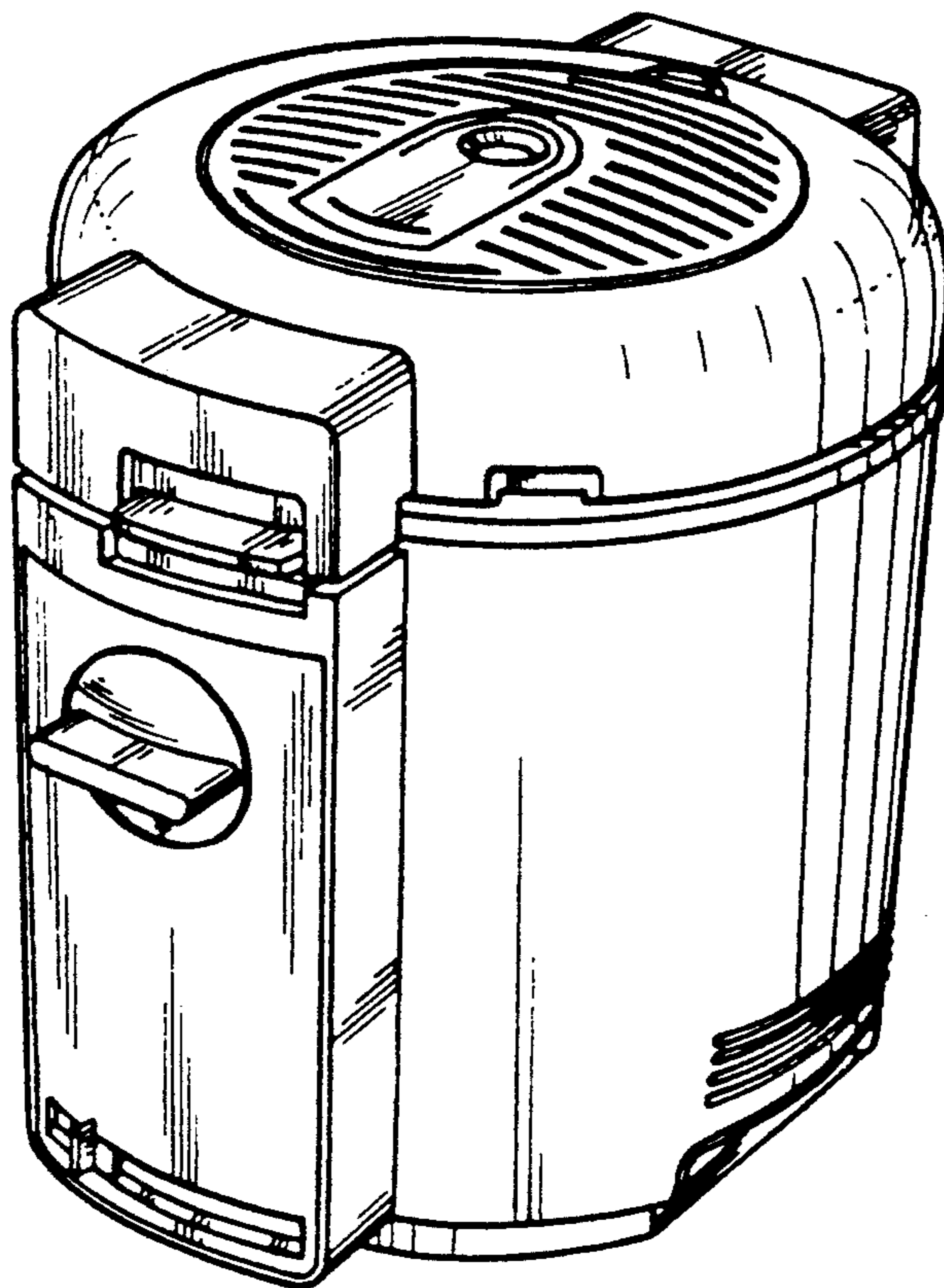
### DESCRIPTION

FIG. 1 is a front elevational view thereof;  
 FIG. 2 is a rear elevational view thereof;  
 FIG. 3 is an elevational view of the side situated at the left of FIG. 1;  
 FIG. 4 is an elevational view of the side situated at the right of FIG. 1;  
 FIG. 5 is a top plan view thereof;  
 FIG. 6 is an underneath plan view thereof; and,  
 FIG. 7 is a three-quarter perspective view thereof.

### References Cited

#### U.S. PATENT DOCUMENTS

- D. 272,034 1/1984 Beugnot ..... D7/360
- D. 313,530 1/1991 Leiros ..... D7/354



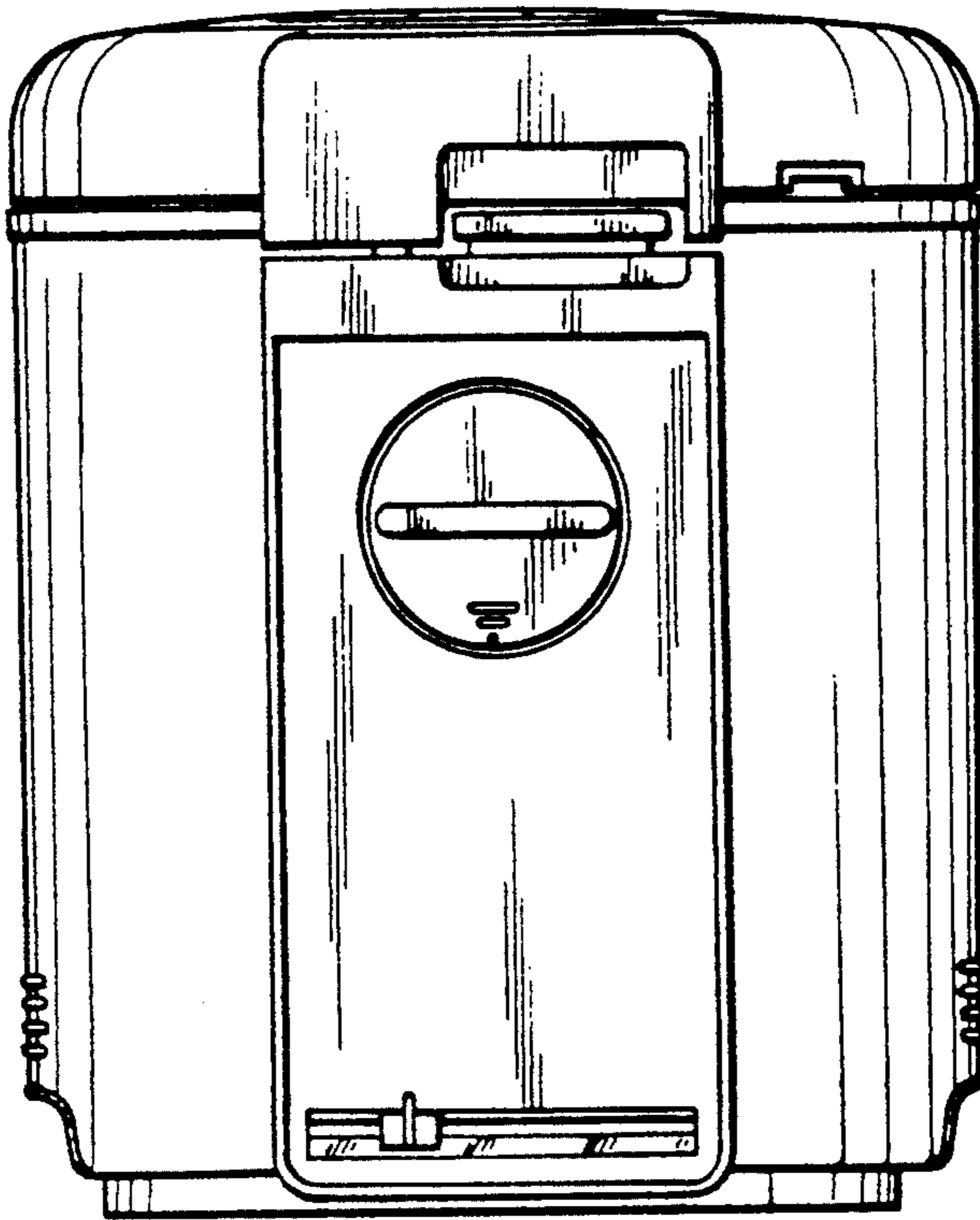


FIG. 1

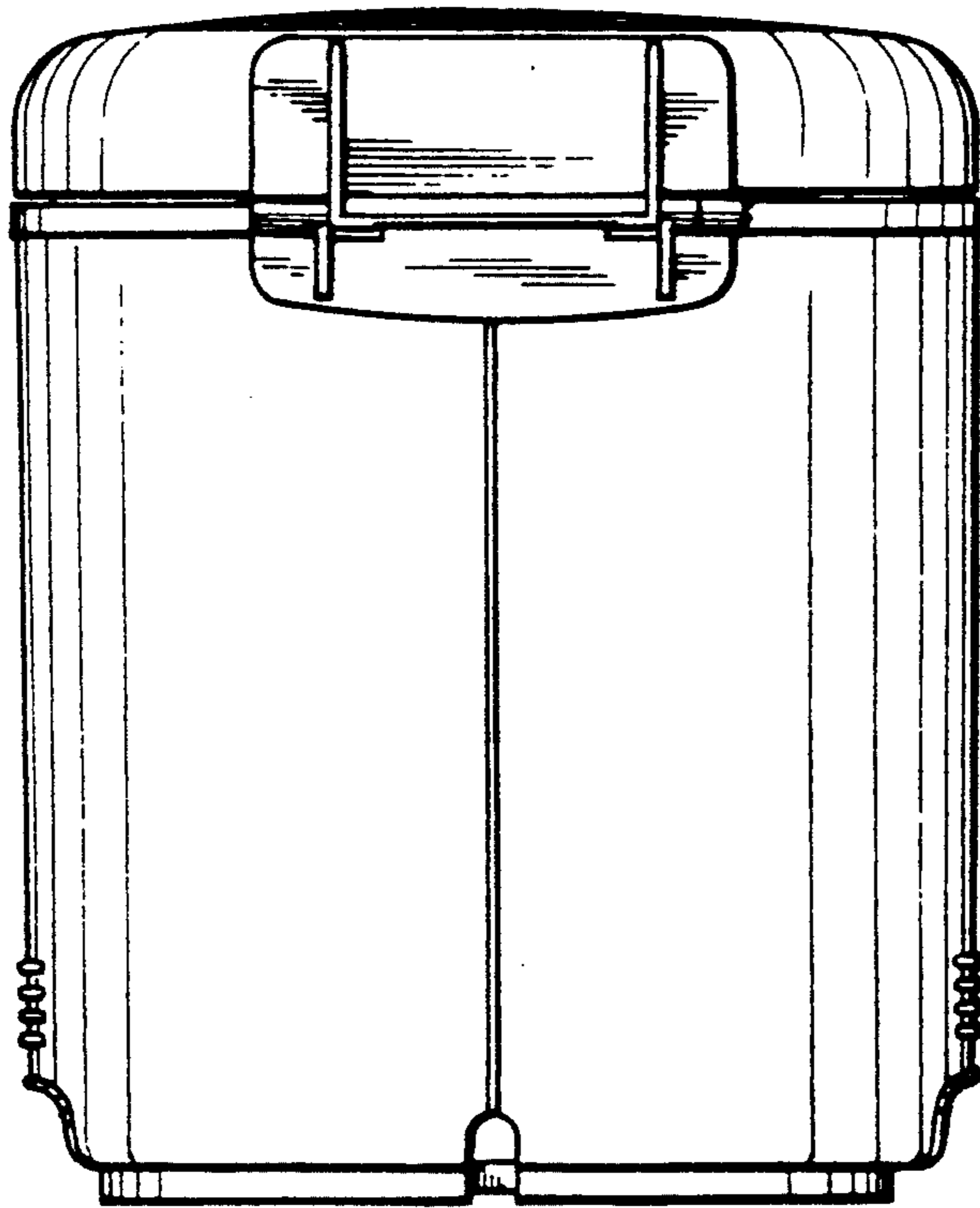


FIG. 2

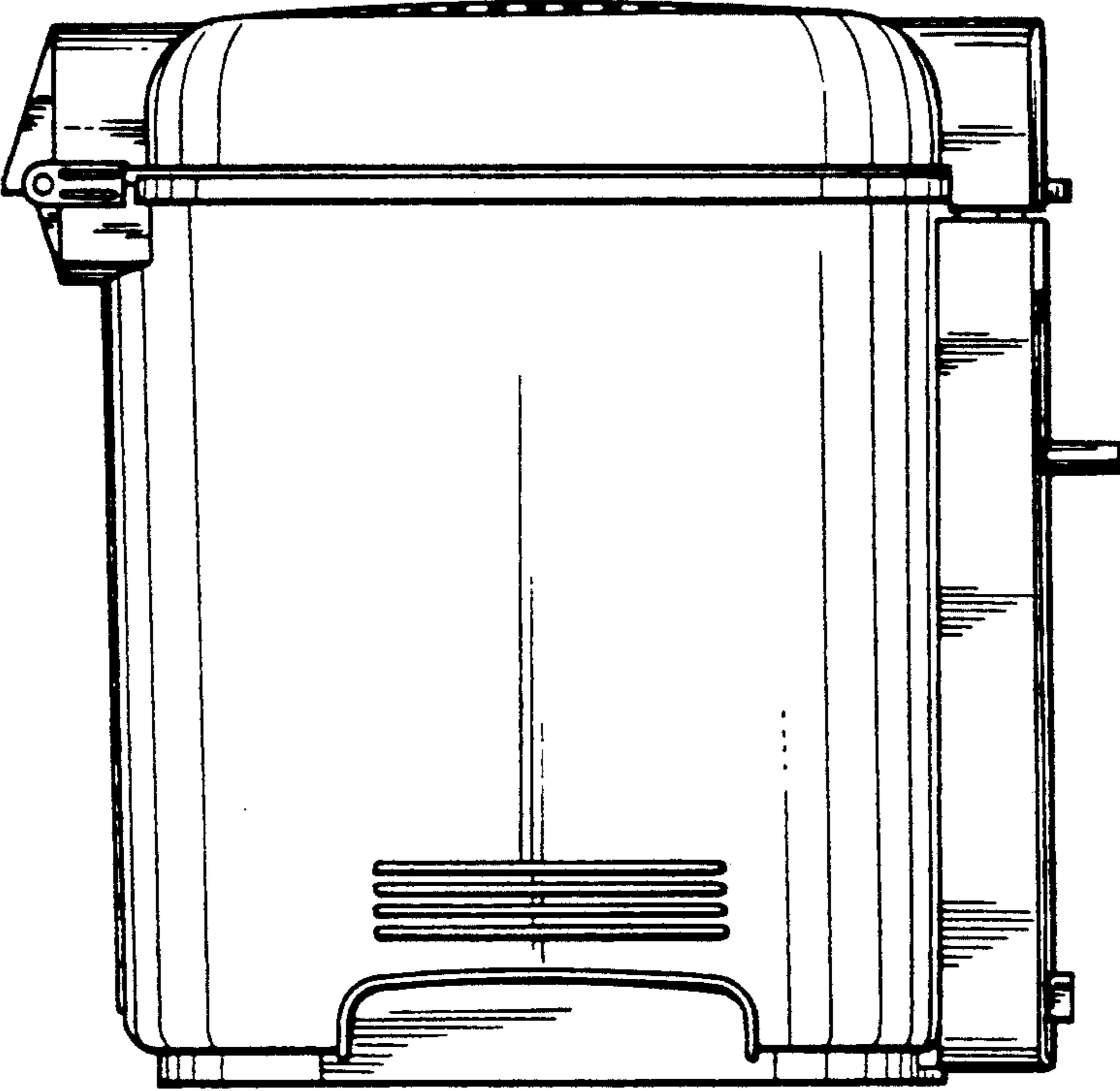


FIG. 3

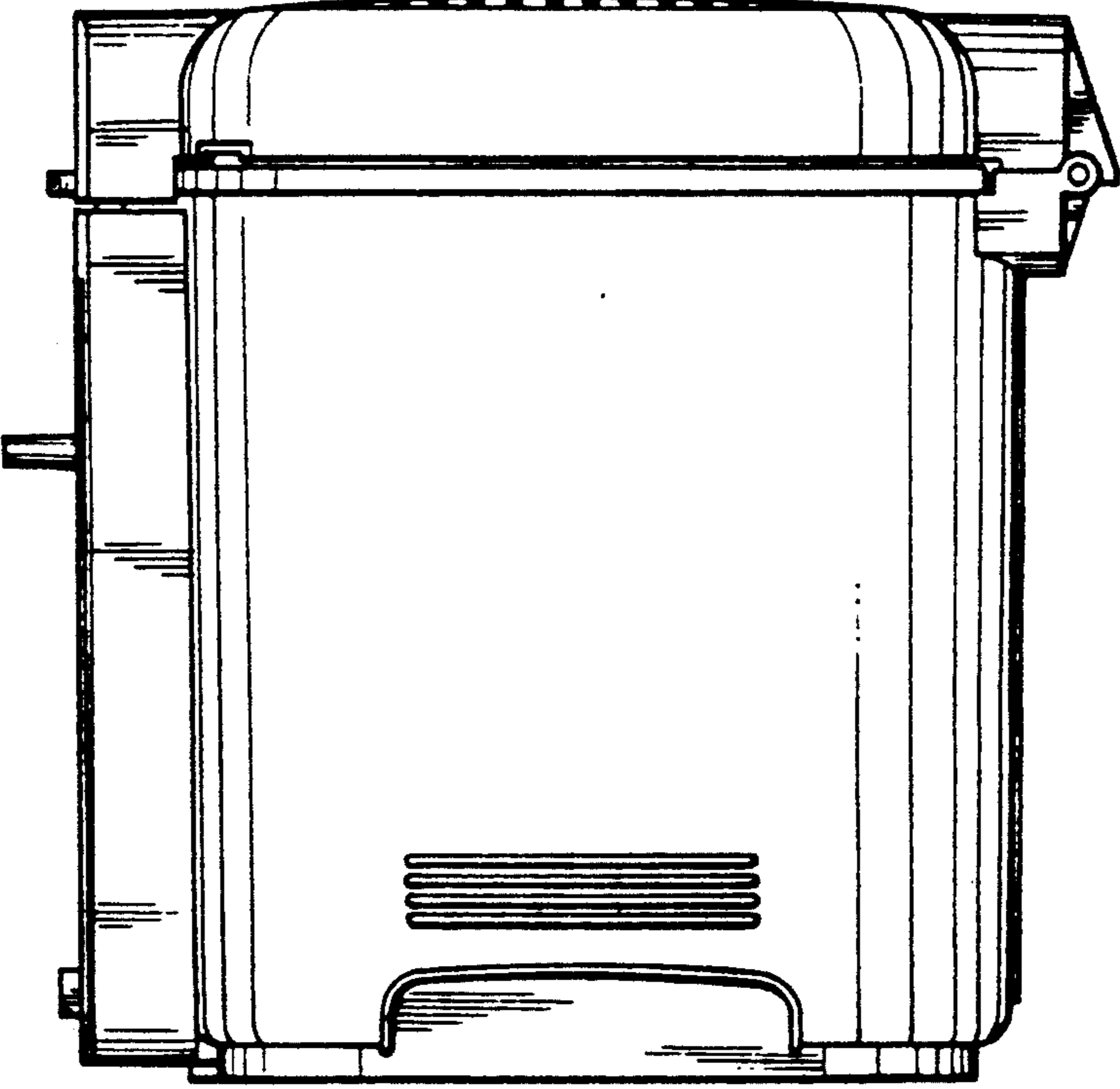


FIG. 4

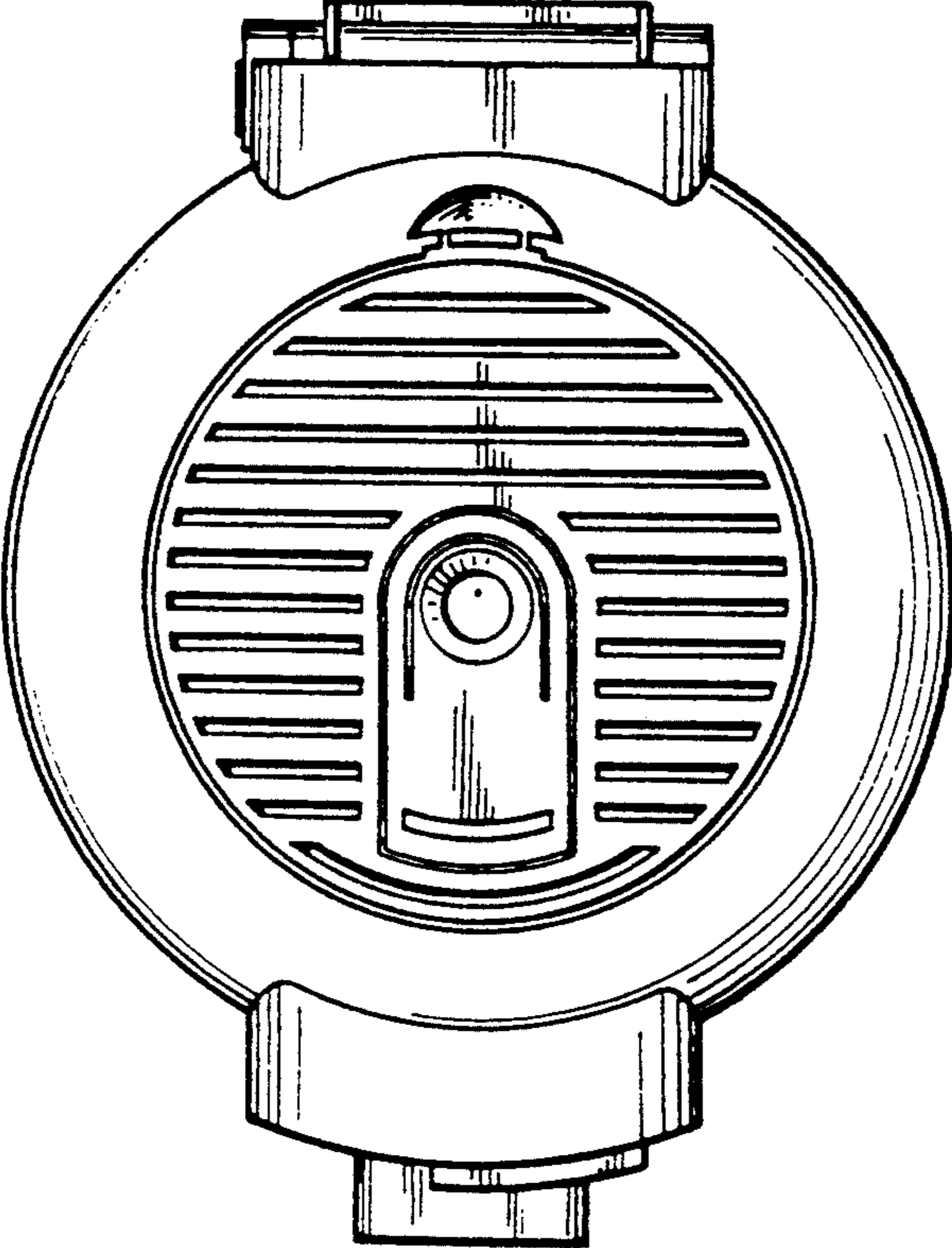


FIG. 5

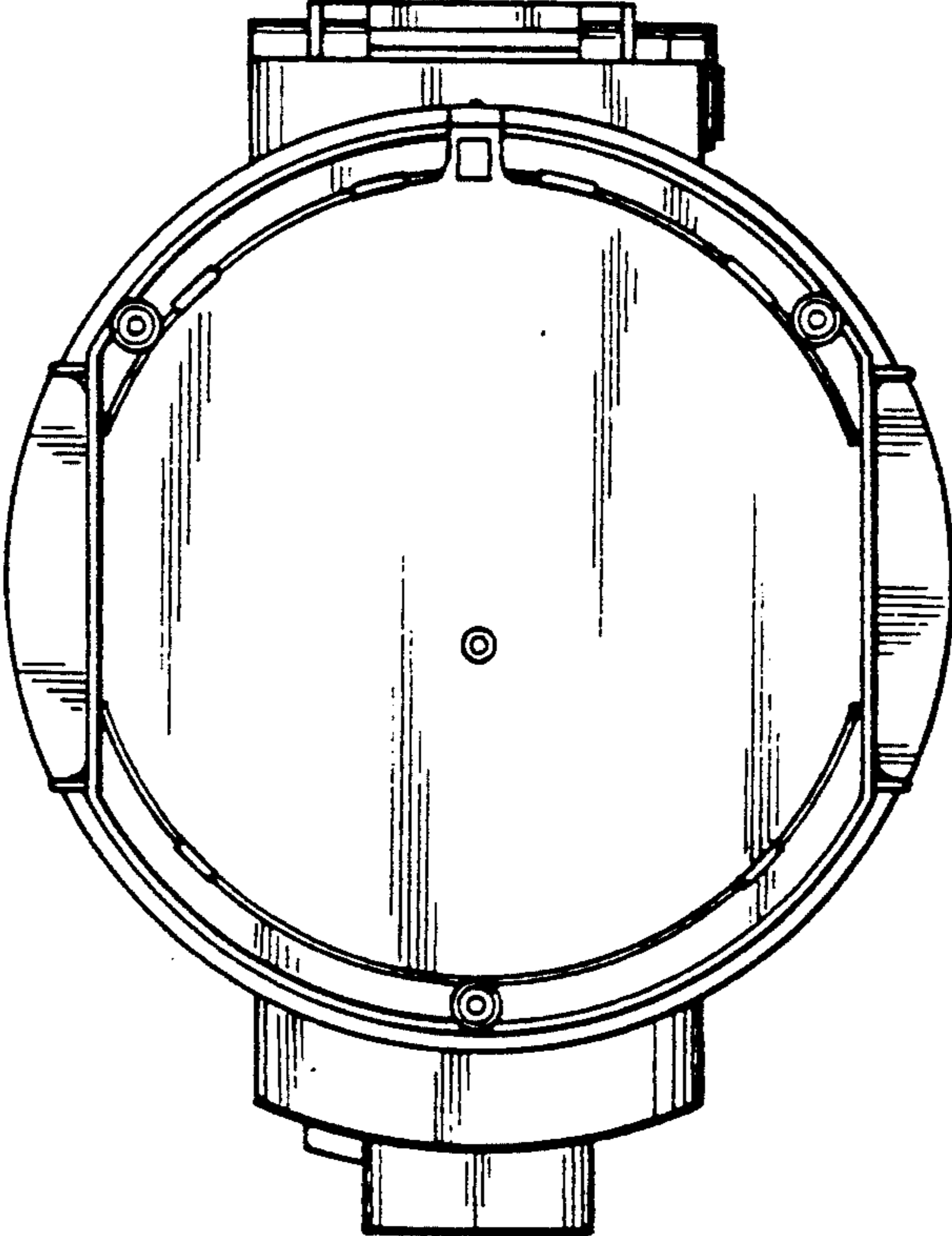


FIG. 6



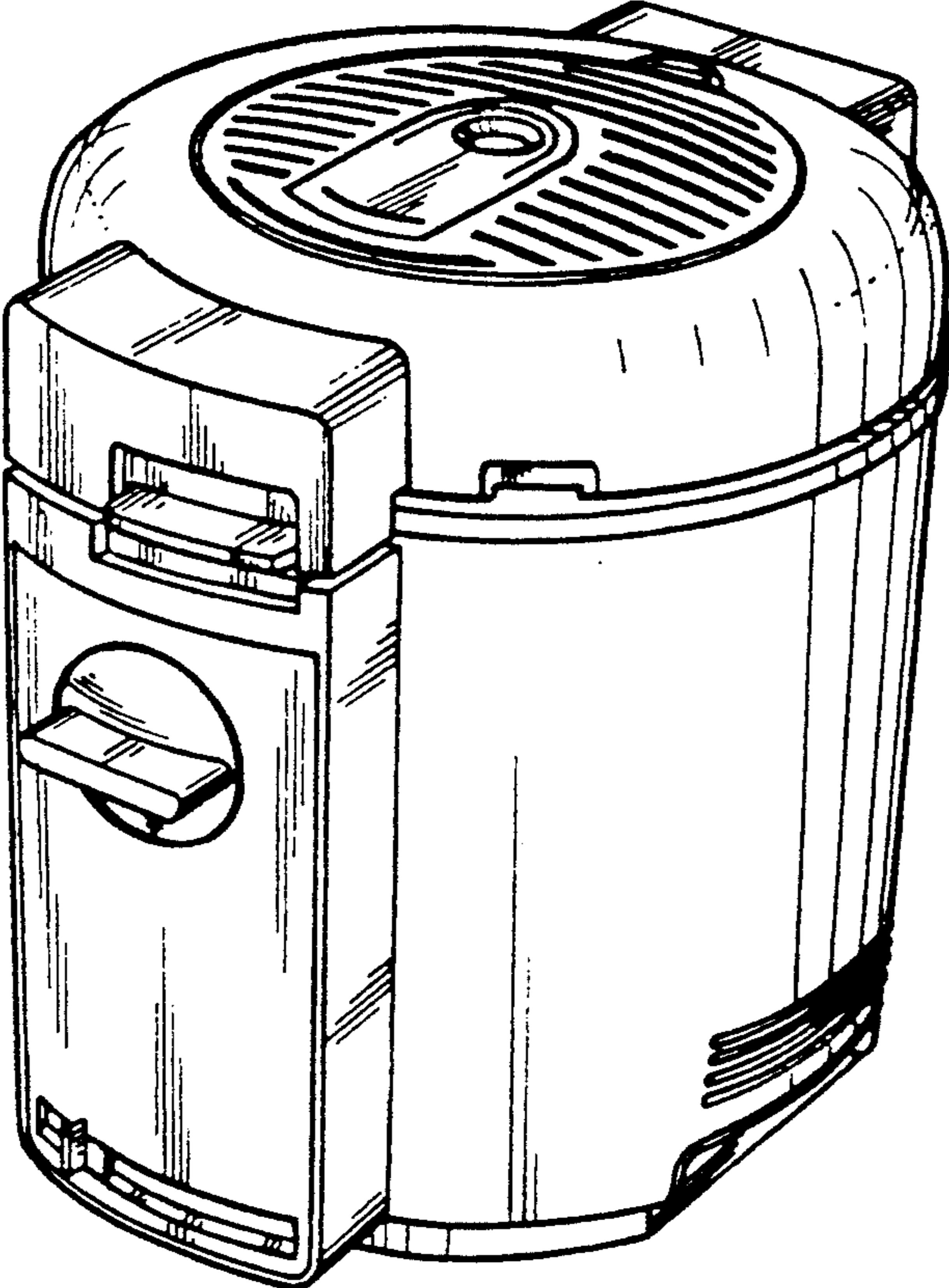


FIG. 7