



US00D345280S

# United States Patent [19] Powell

[11] Patent Number: **Des. 345,280**  
[45] Date of Patent: **\*\* Mar. 22, 1994**

[54] **DEEP-FRYER**  
[75] Inventor: **Dick Powell, London, Great Britain**  
[73] Assignee: **SEB, Selongey, France**  
[\*\*] Term: **14 Years**  
[21] Appl. No.: **2,859**  
[22] Filed: **Dec. 21, 1992**  
[30] **Foreign Application Priority Data**  
Jun. 19, 1992 [FR] France ..... 923 827  
[52] U.S. Cl. .... **D7/354; D7/323**  
[58] Field of Search ..... **D7/323, 354, 358, 360;**  
**219/429, 432, 438, 440; 99/331, 403, 410, 411,**  
**413**

4,636,618 1/1987 Jenicot ..... D7/354 X

### OTHER PUBLICATIONS

HFD Magazine; Jan. 16, 1989; p. 131; DeLonghi deep fryer bottom of page.

*Primary Examiner*—Alan P. Douglas  
*Assistant Examiner*—Caron D. Veynar  
*Attorney, Agent, or Firm*—Young & Thompson

[56] **References Cited**  
**U.S. PATENT DOCUMENTS**  
D. 313,530 1/1991 Leiros ..... D7/354  
D. 339,025 9/1993 Piret et al. .... D7/323 X

[57] **CLAIM**  
The ornamental design for a deep-fryer, as shown and described.

### DESCRIPTION

FIG. 1 is a front elevational view of a deep-fryer showing my new design;  
FIG. 2 is a rear elevational view;  
FIG. 3 is an elevational view from the left side;  
FIG. 4 is an elevational view from the right side;  
FIG. 5 is a top plan view;  
FIG. 6 is a bottom plan view; and,  
FIG. 7 is a front perspective view.

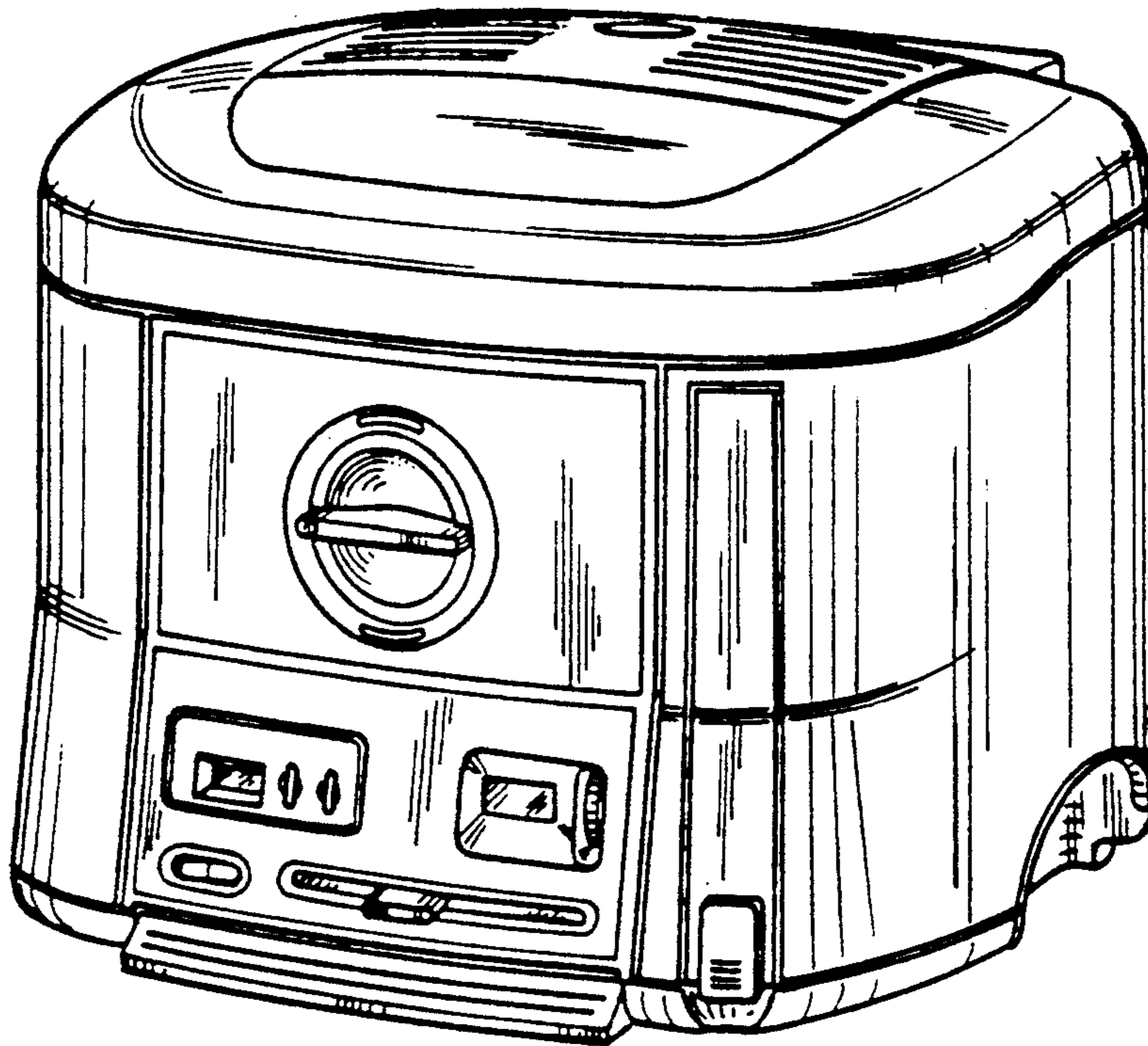


FIG. 1

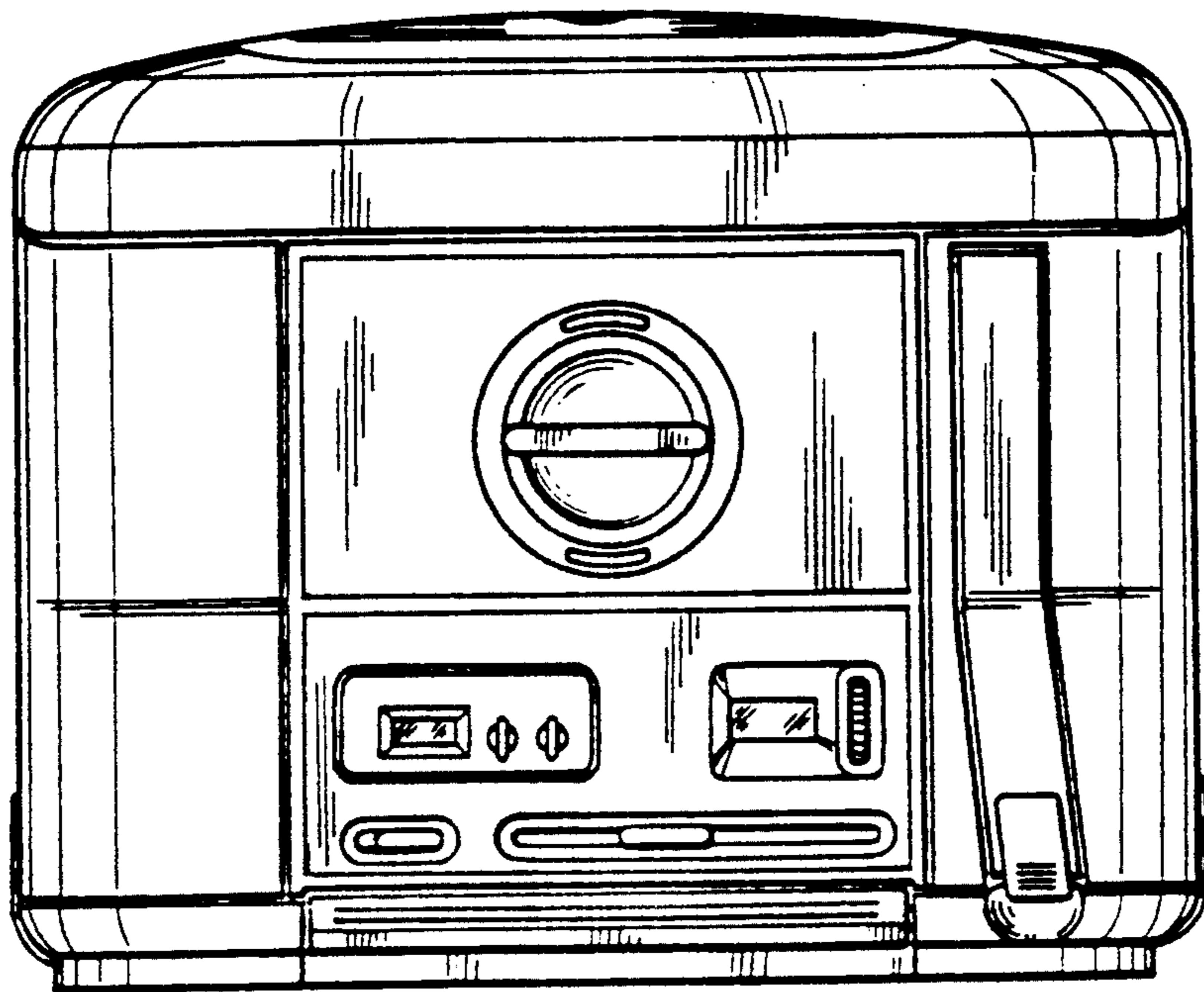


FIG. 2

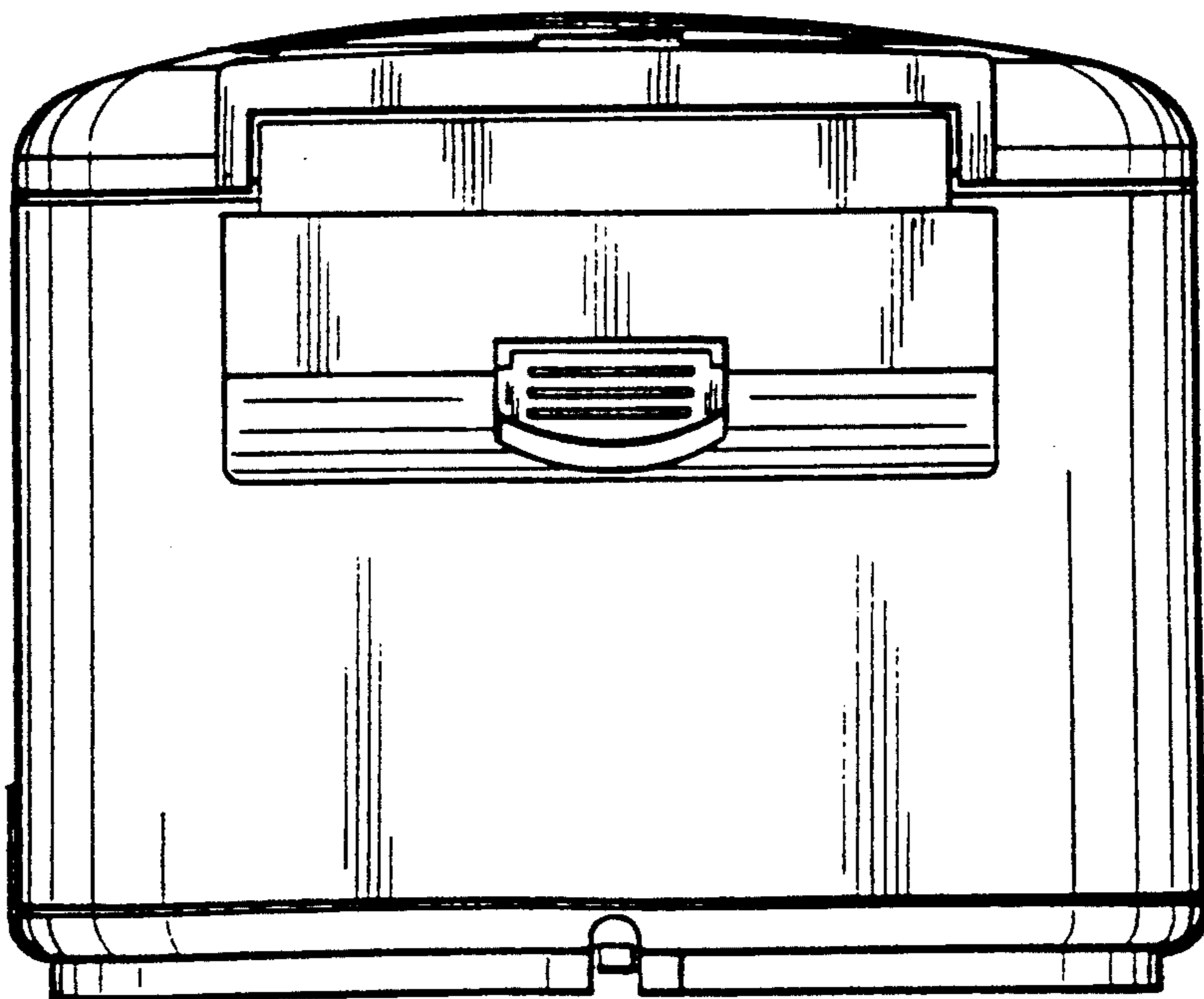


FIG. 3

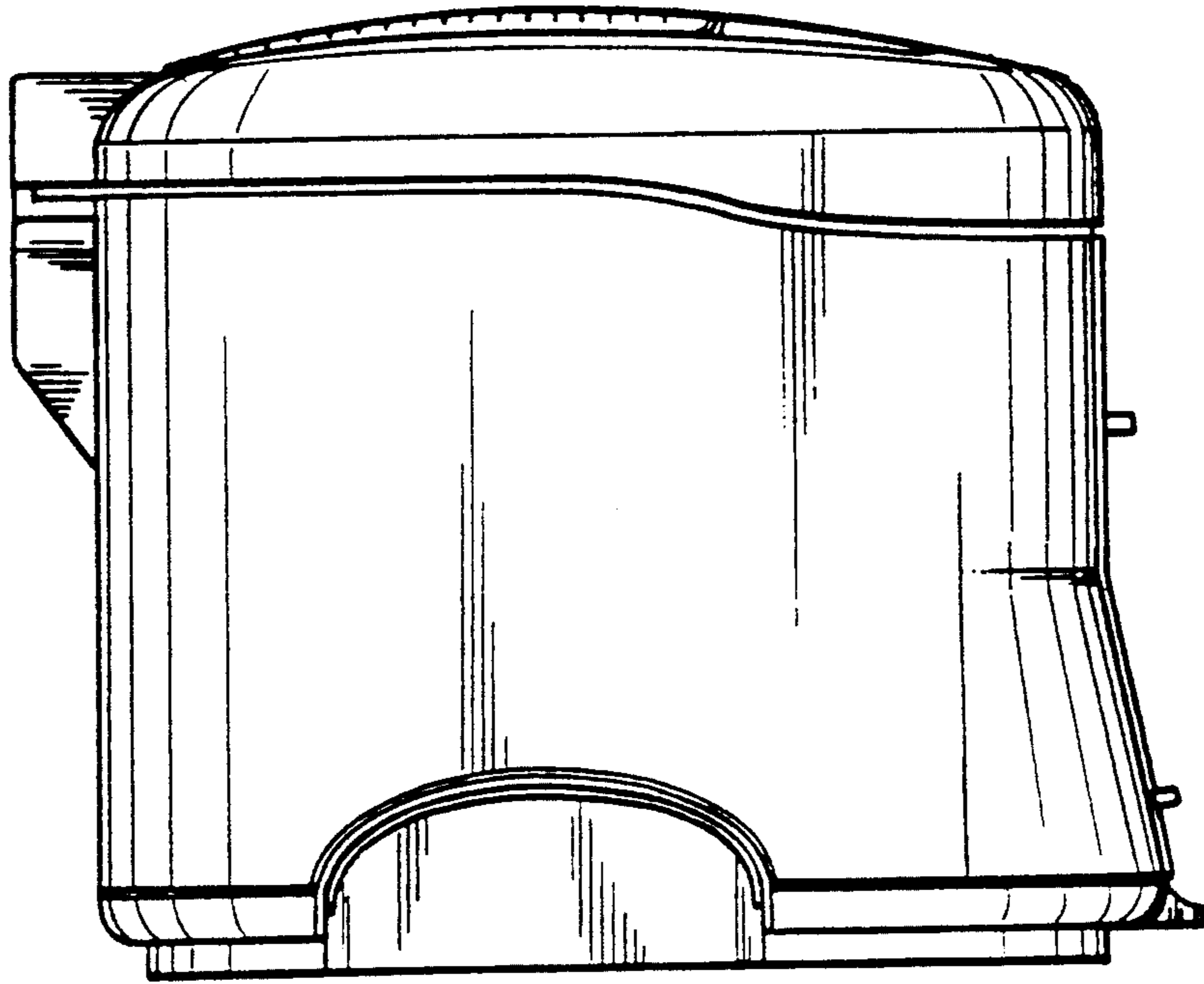


FIG. 4

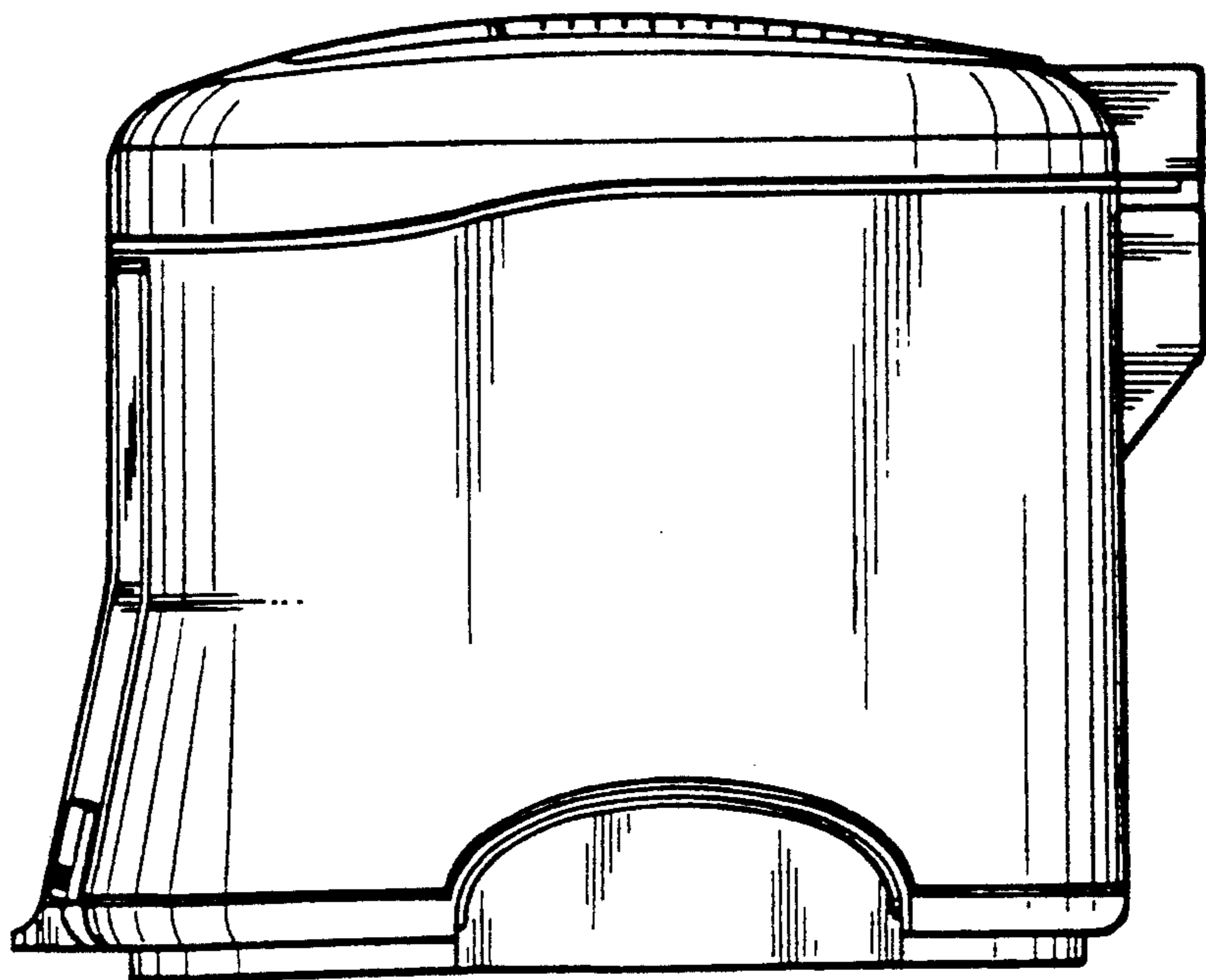


FIG. 5

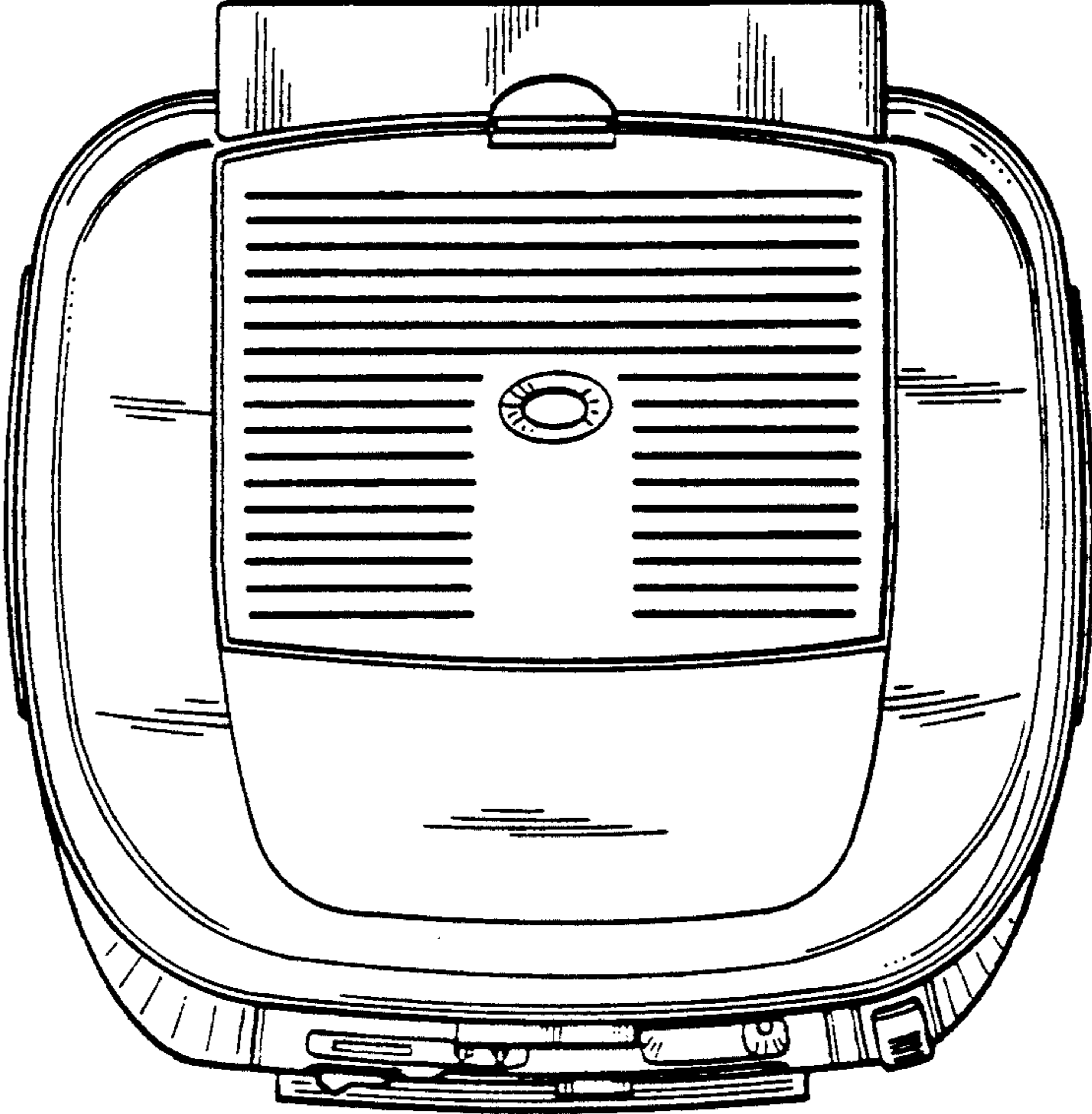
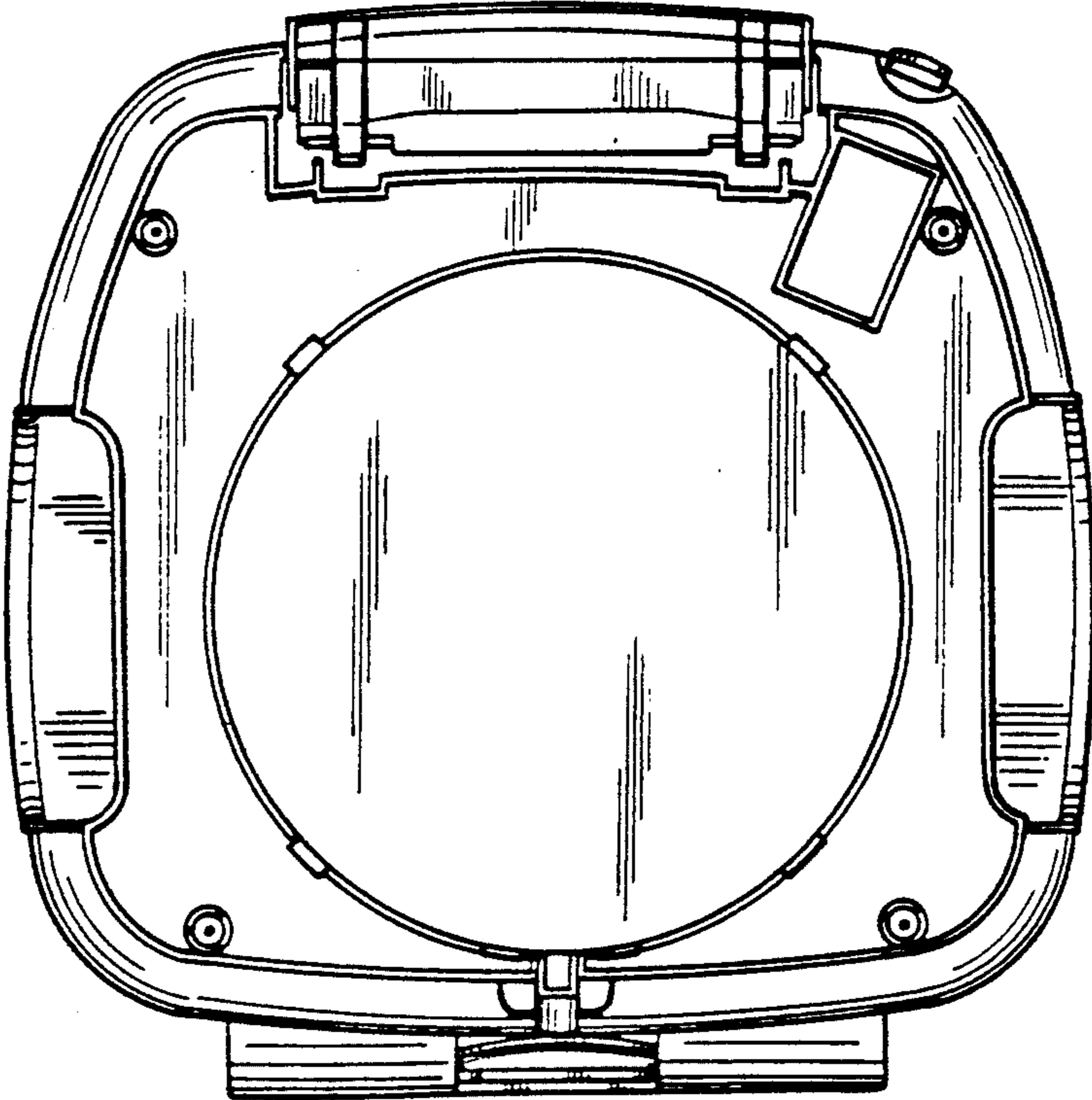


FIG. 6





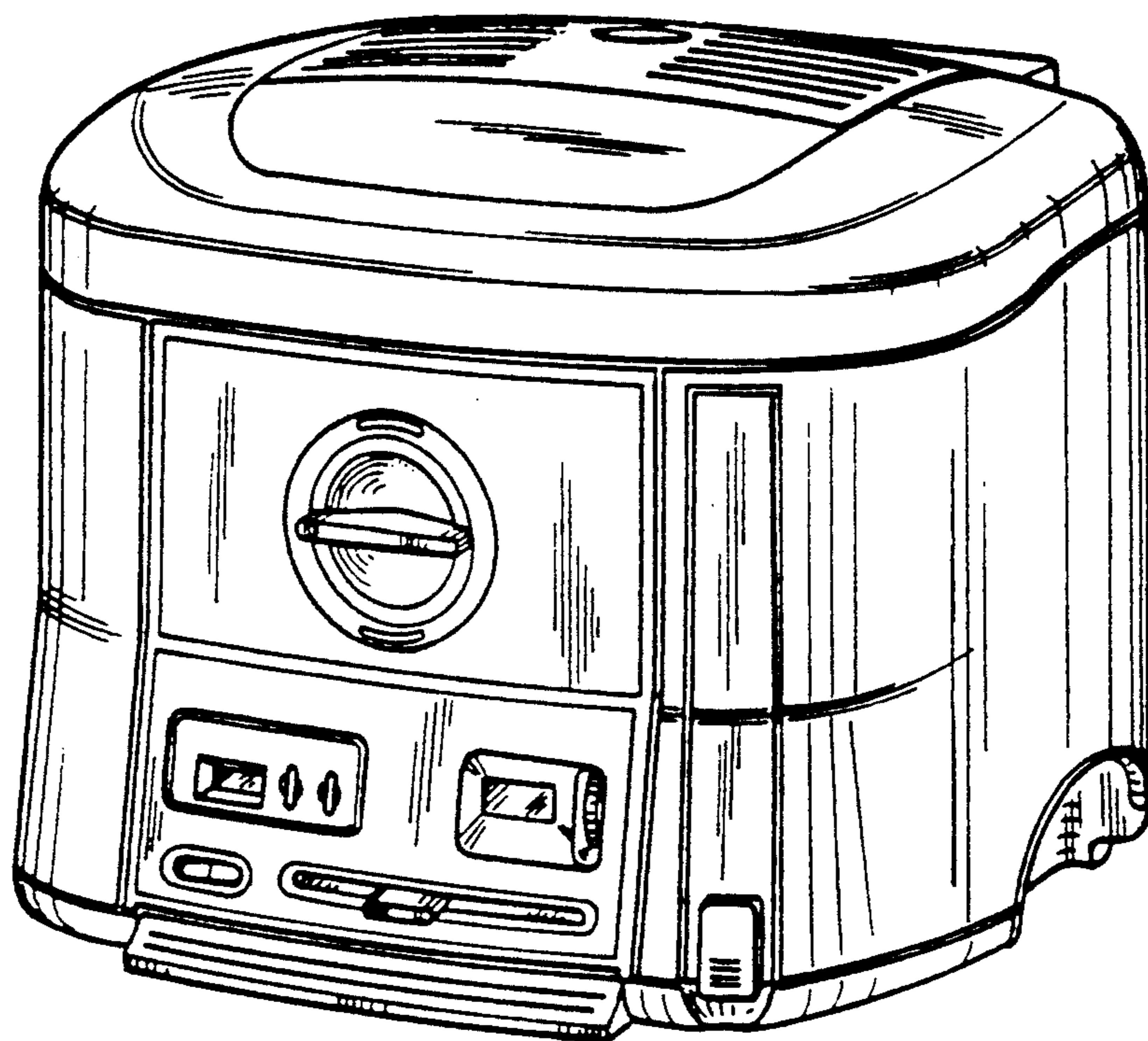


FIG. 7