



US00D345279S

United States Patent [19]

[11] Patent Number: **Des. 345,279**

Sieger

[45] Date of Patent: **** Mar. 22, 1994**

[54] **COFFEE MAKING APPLIANCE**

[75] Inventor: **Dieter Sieger, Sassenberg, Fed. Rep. of Germany**

[73] Assignee: **WMF Wuerttembergische Metallwarenfabrik Aktiengesellschaft, Geislingen, Fed. Rep. of Germany**

D. 242,891 1/1977 Hauenstein D7/309
 D. 292,258 10/1987 Diefenbach D7/311 X
 D. 298,402 11/1988 Seiffert D7/309
 D. 323,949 2/1992 Kahlcke D7/309
 D. 332,199 1/1993 Pomeroy D7/310 X
 D. 336,206 6/1993 Litimann D7/309
 D. 336,207 6/1993 Brookshire D7/311 X
 3,978,778 9/1976 Roberts D7/309 X
 4,857,474 8/1989 Mahlich et al. 99/293

[**] Term: **14 Years**

Primary Examiner—Nelson C. Holtje
Assistant Examiner—M. N. Pandozzi
Attorney, Agent, or Firm—Flynn, Thiel, Boutell & Tanis

[21] Appl. No.: **900,692**

[57] CLAIM

[22] Filed: **Jun. 17, 1992**

The ornamental design for a coffee making appliance, as shown and described.

[30] Foreign Application Priority Data

Dec. 20, 1991 [WO] World Int. Prop. O. DM 021492
 [52] U.S. Cl. D7/309; D7/310; D7/311
 [58] Field of Search D7/300, 308, 310, 311, D7/305, 309; 99/279, 293, 295

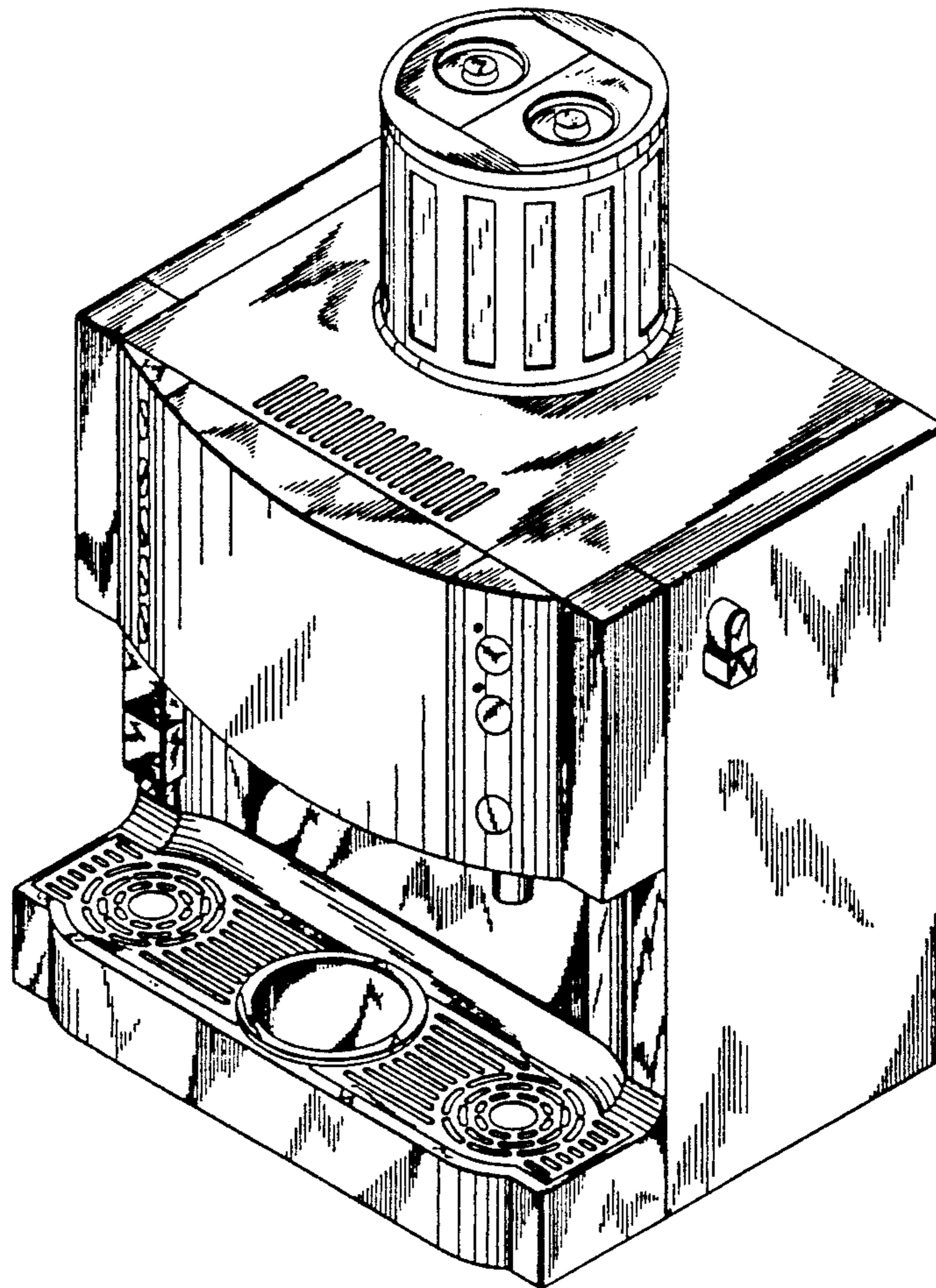
DESCRIPTION

FIG. 1 is a top and right front perspective view of a coffee making appliance showing my new design;
 FIG. 2 is a front view thereof;
 FIG. 3 is a rear view thereof;
 FIG. 4 is a left side view thereof;
 FIG. 5 is a right side view thereof;
 FIG. 6 is a top view thereof; and,
 FIG. 7 is a bottom view thereof.

[56] References Cited

U.S. PATENT DOCUMENTS

D. 239,756 5/1976 Martin D7/309



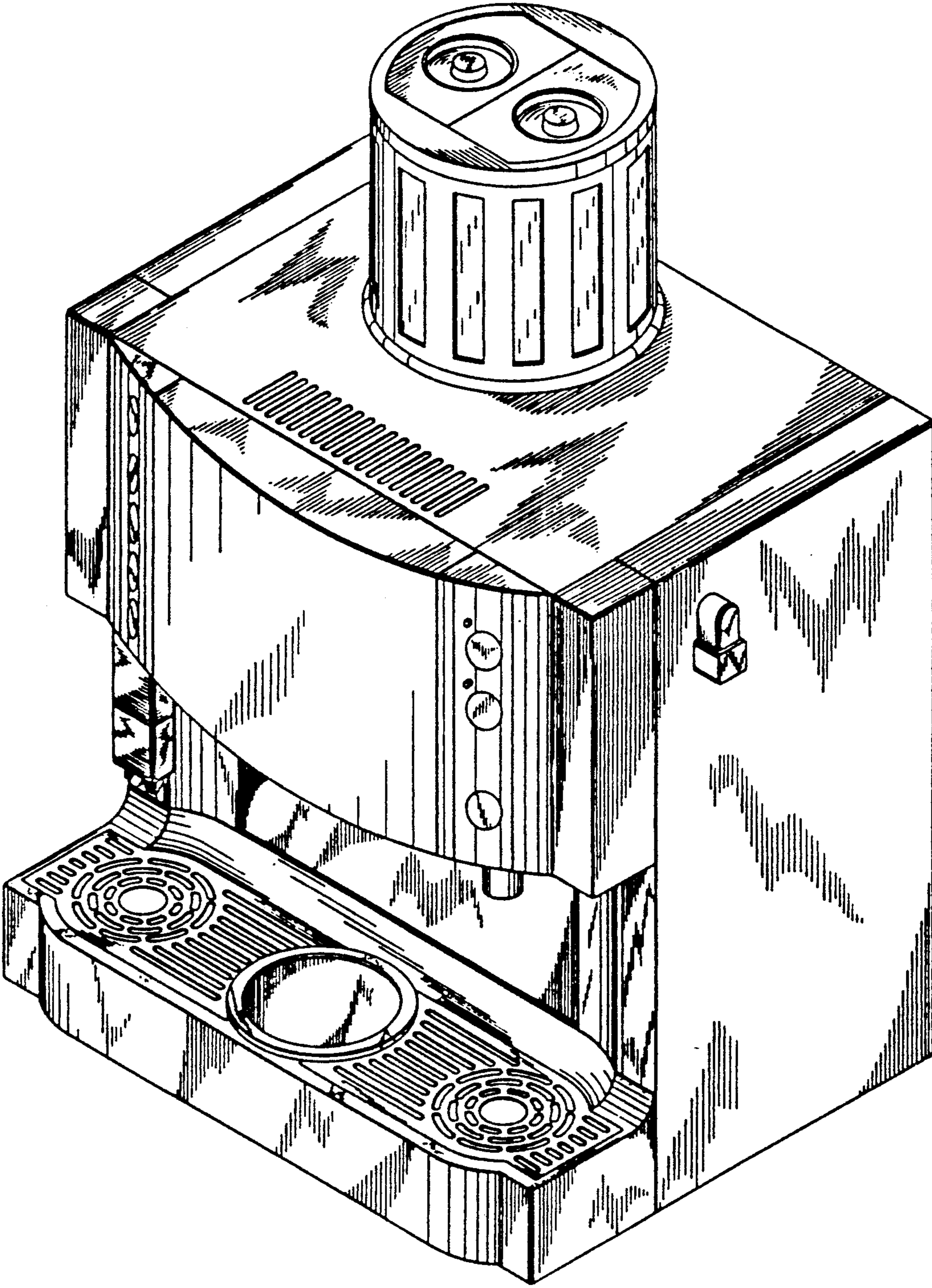


FIG. 1

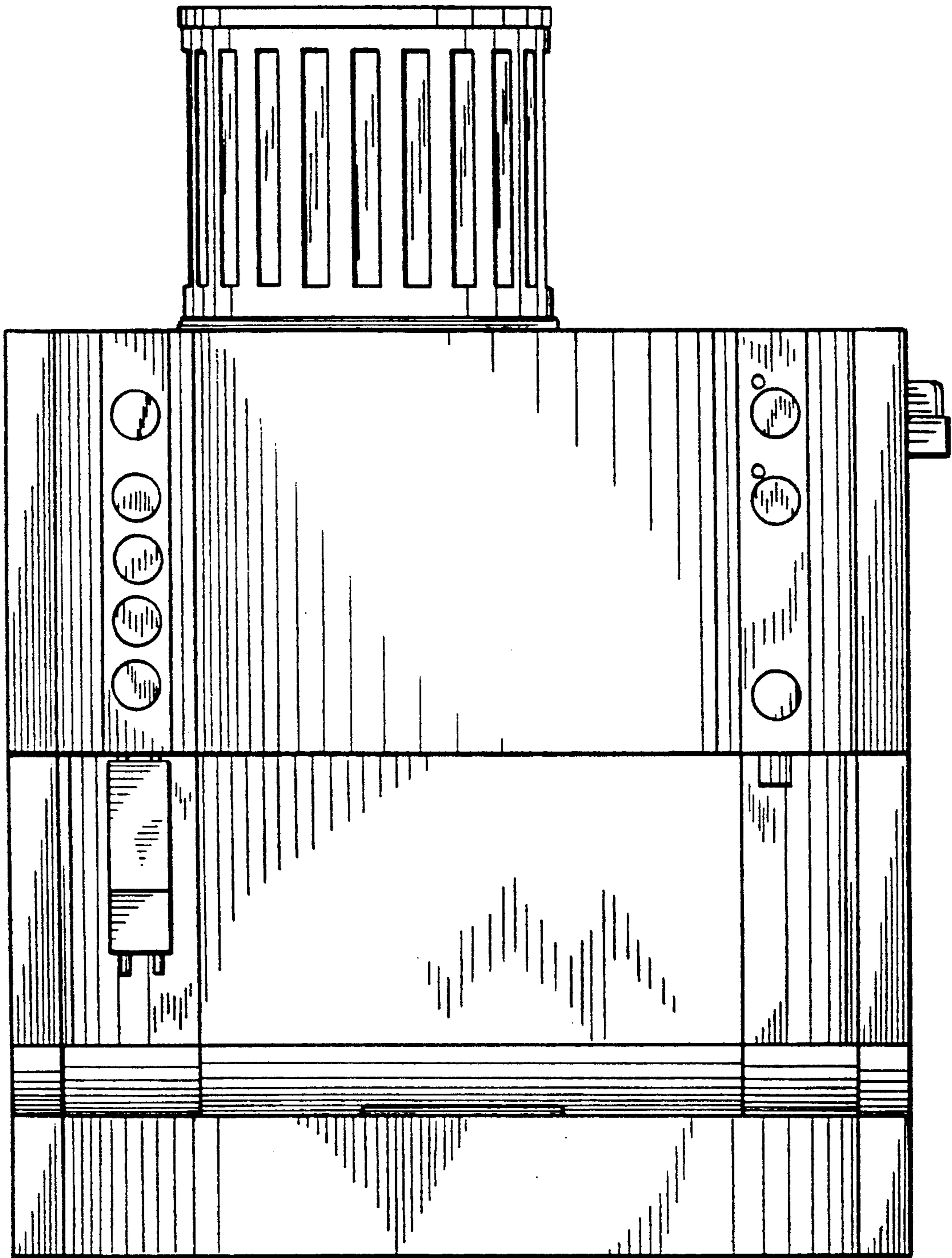


FIG. 2

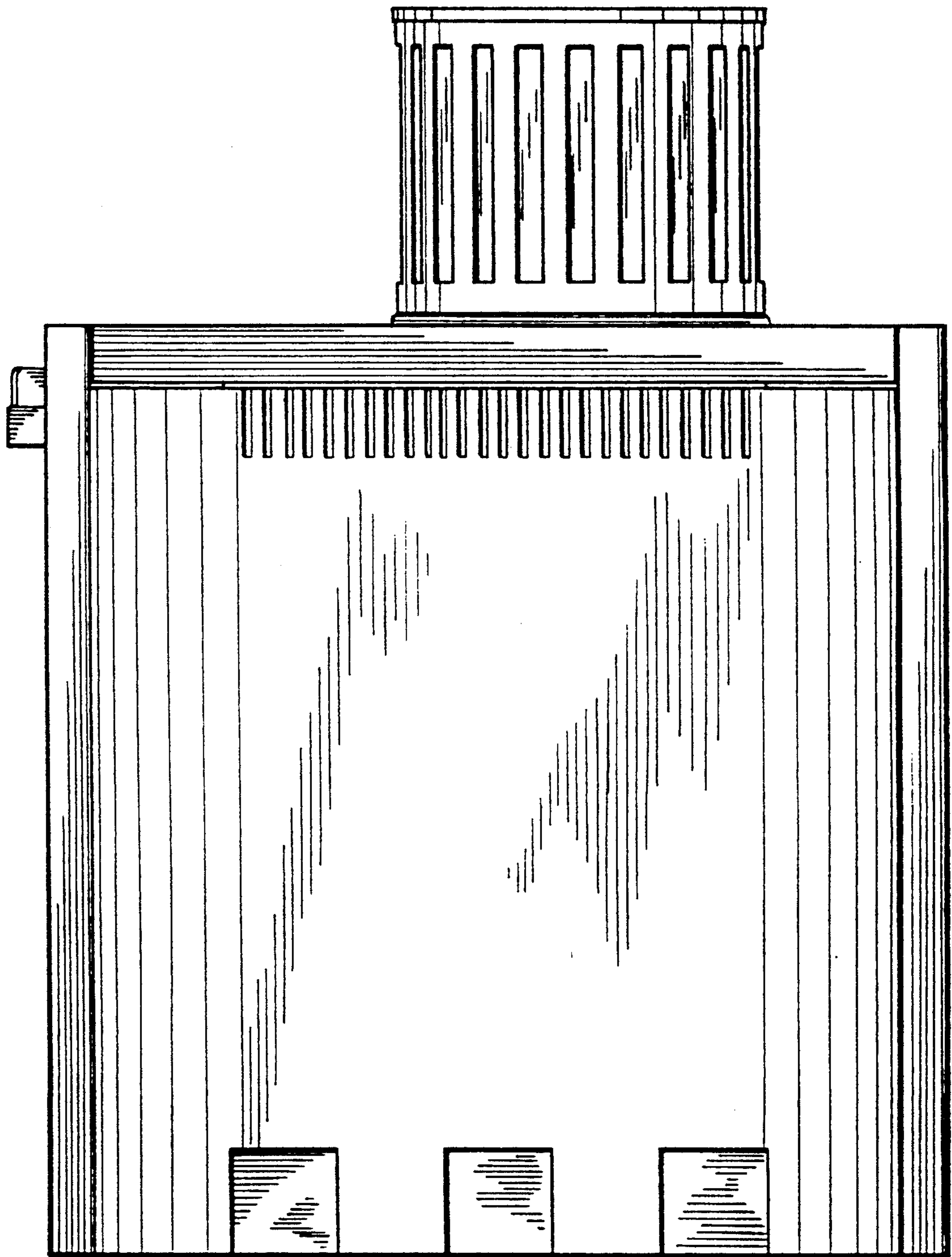


FIG. 3

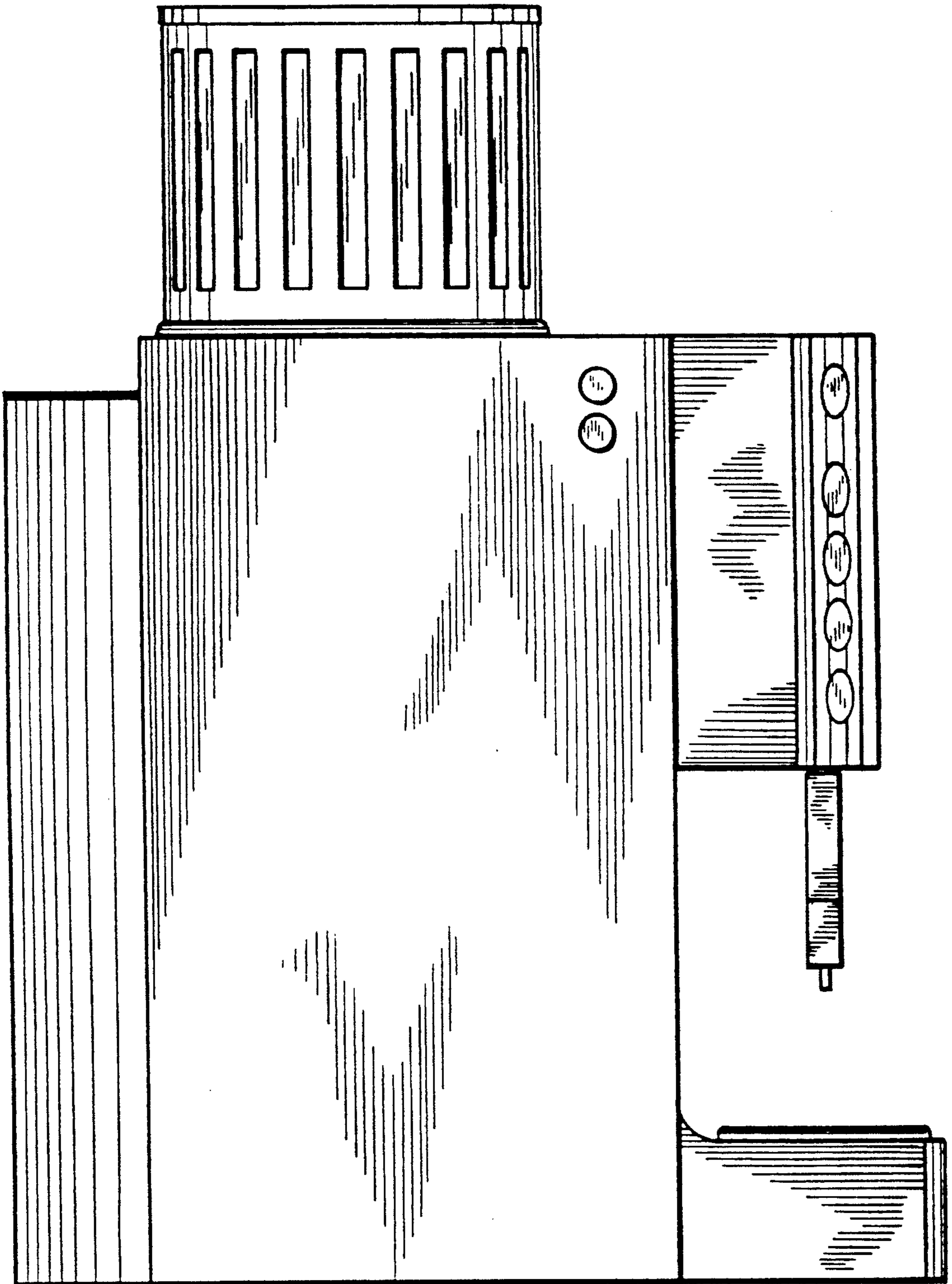


FIG. 4

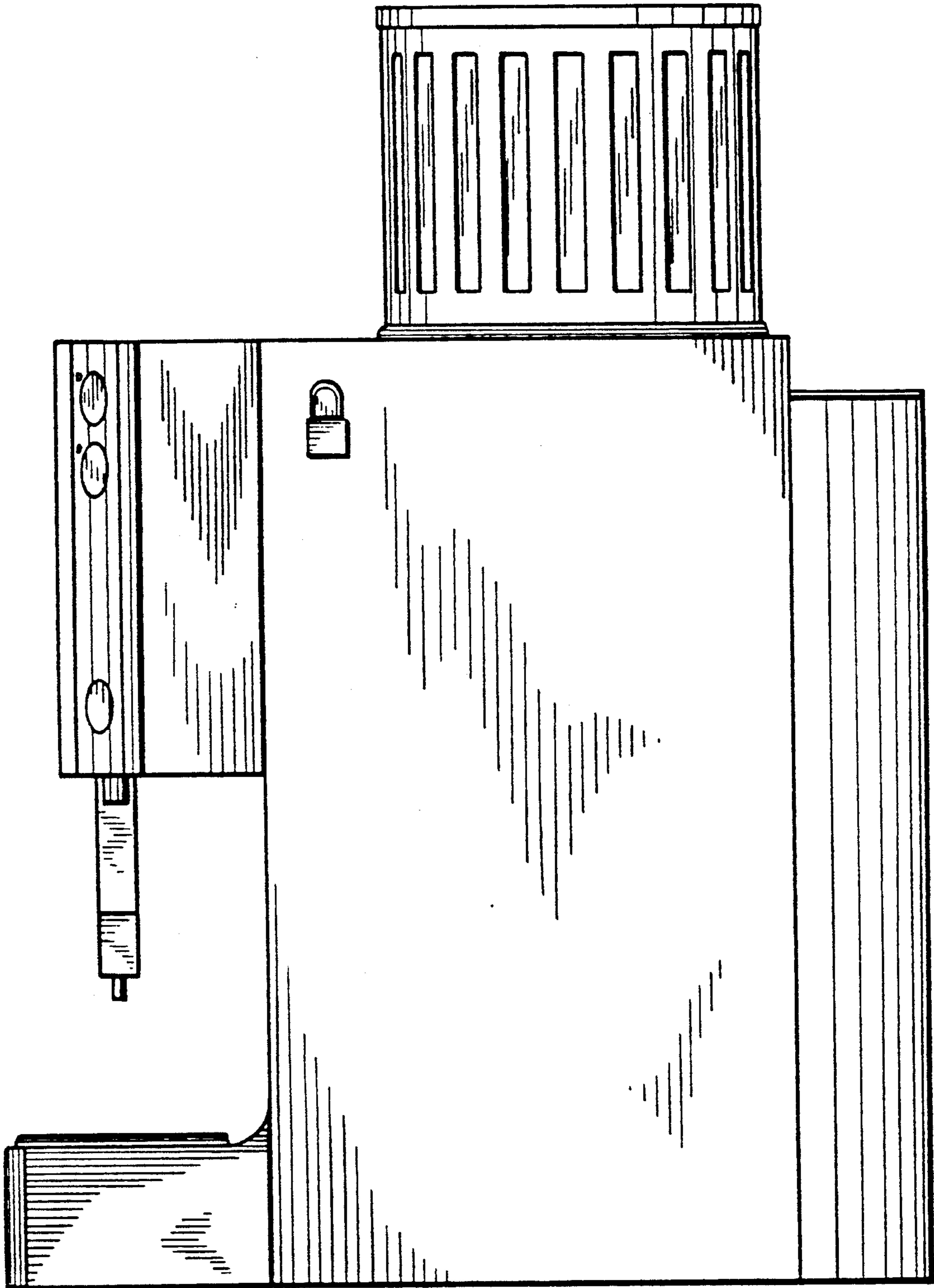


FIG. 5

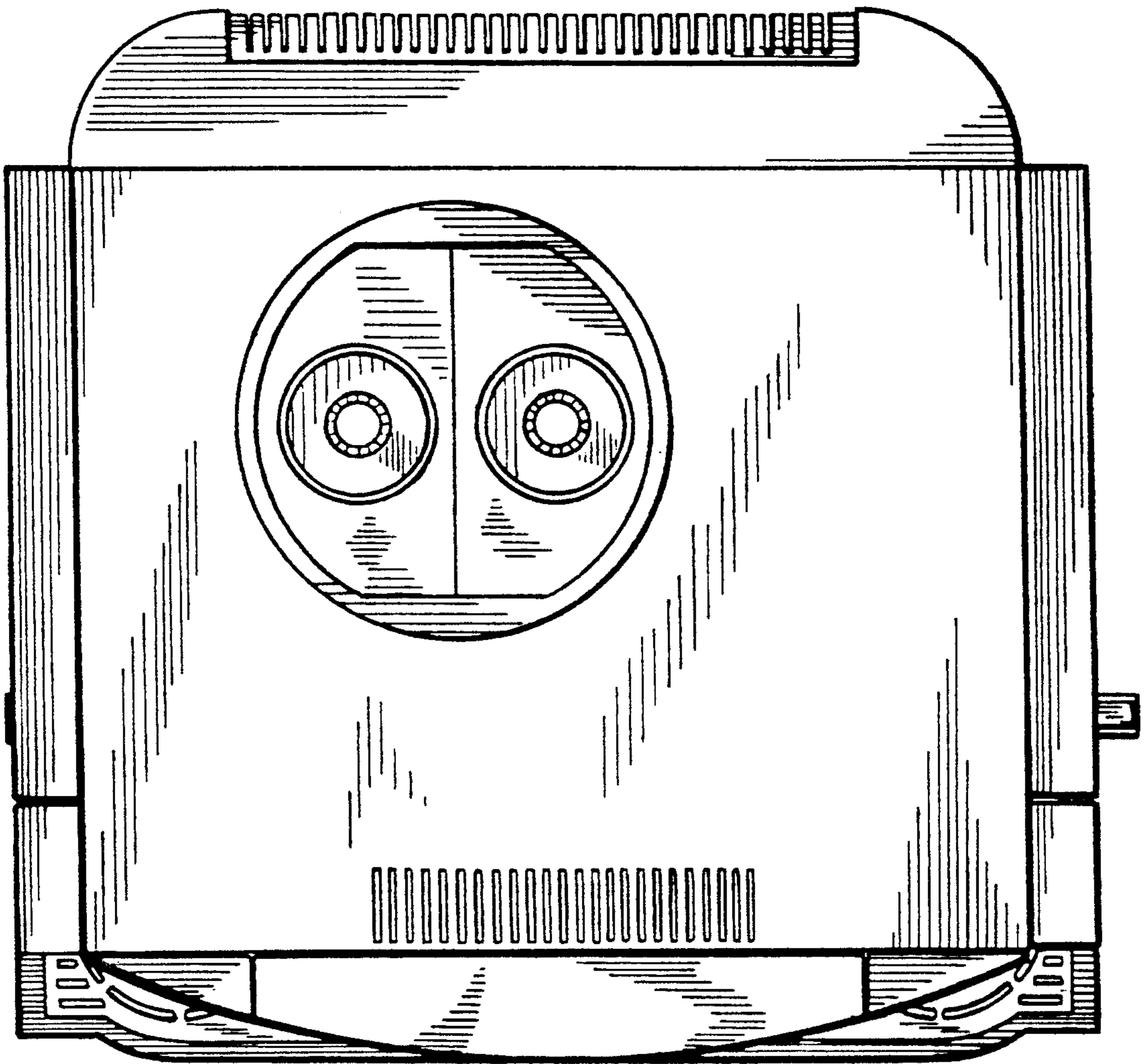


FIG. 6

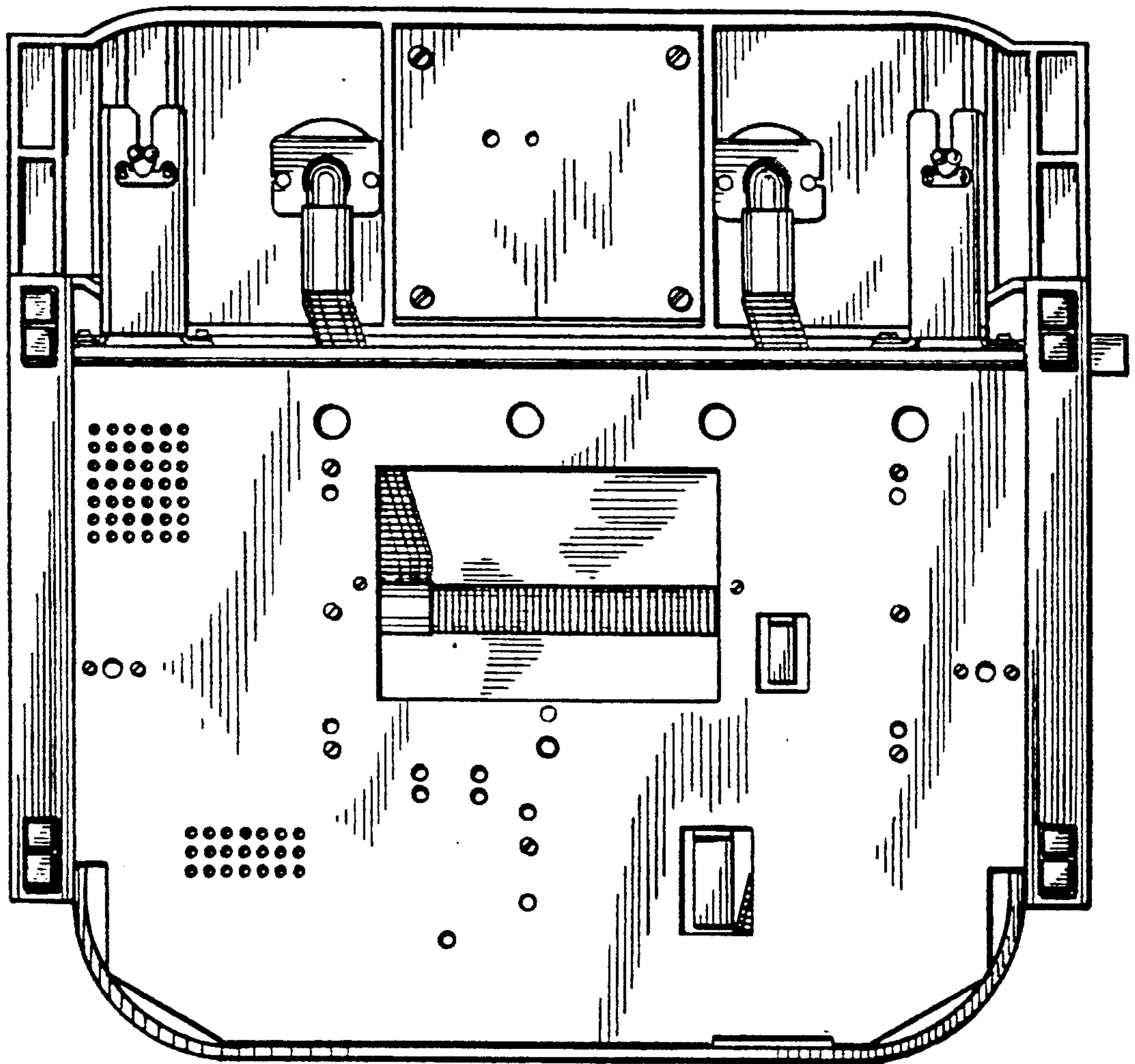


FIG. 7