



US00D345273S

United States Patent [19]

[11] Patent Number: **Des. 345,273**

Horn

[45] Date of Patent: **** Mar. 22, 1994**

[54] **WEAPONRY BRACKET ASSEMBLY**

4,957,229 9/1990 Freeman .

[76] Inventor: **Dennis L. Horn, 3422 Valley Rd., Marysville, Pa. 17053**

Primary Examiner—Brian N. Vinson
Attorney, Agent, or Firm—Richard C. Litman

[**] Term: **14 Years**

[57] **CLAIM**

[21] Appl. No.: **866,248**

The ornamental design for a weaponry bracket assembly, as shown and described.

[22] Filed: **Apr. 9, 1992**

[52] U.S. Cl. **D6/552**

[58] Field of Search D6/512, 552-553,
D6/567, 573; 211/13, 60.1, 64, 86-87, 89;
248/309.1

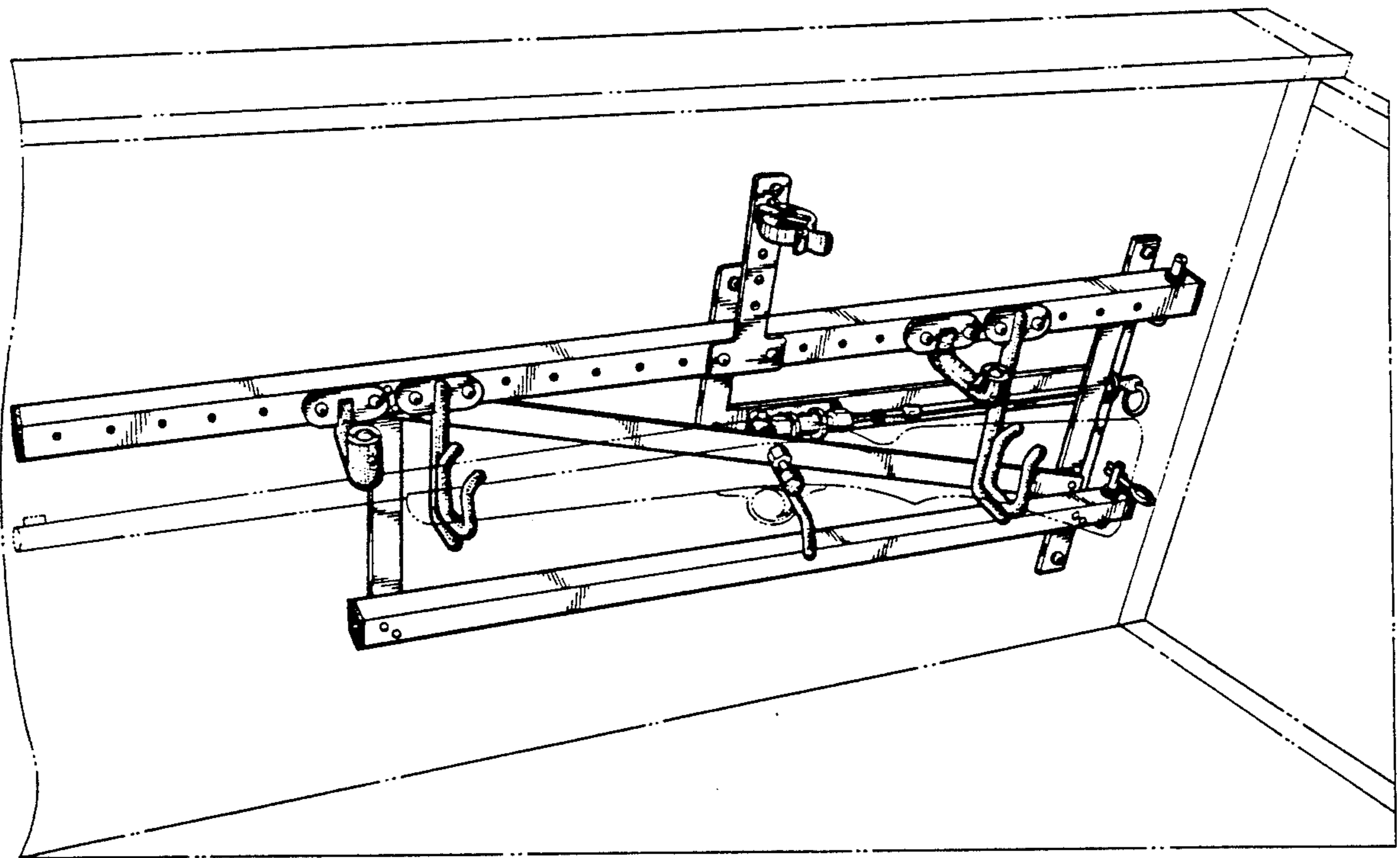
DESCRIPTION

FIG. 1 is a perspective view of a weaponry bracket assembly showing my new design;
FIG. 2 is a top view thereof;
FIG. 3 is a front elevational view thereof;
FIG. 4 is a bottom view thereof, as seen in FIG. 5;
FIG. 5 is a rear elevational view thereof;
FIG. 6 is a left side elevational view thereof; and,
FIG. 7 is a right side elevational view thereof.
The broken line showing of the interior bed of a pickup truck and a rifle in FIG. 1, and of a vertical mounting surface in FIGS. 4, 6 and 7 is for illustrative purposes only and forms no part of the claimed design.

[56] **References Cited**

U.S. PATENT DOCUMENTS

D. 276,197	11/1984	Padgett	D6/552 X
2,781,897	2/1957	Dale	.	
3,180,494	4/1965	Levy	211/64
3,252,637	5/1966	Hart	.	
4,108,313	8/1978	Bogar, Jr.	.	
4,624,372	11/1986	Brolin	211/64



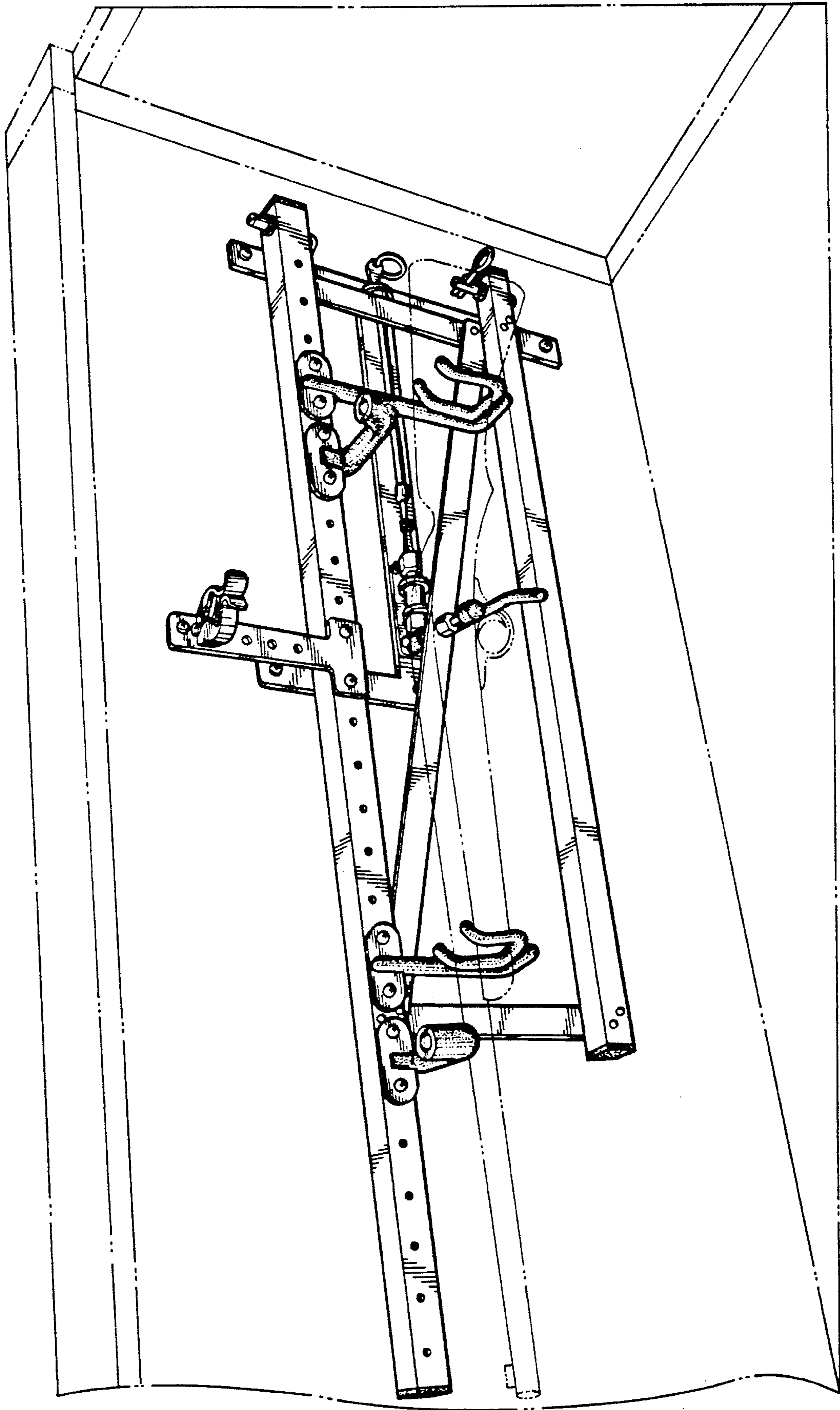


FIG. 1

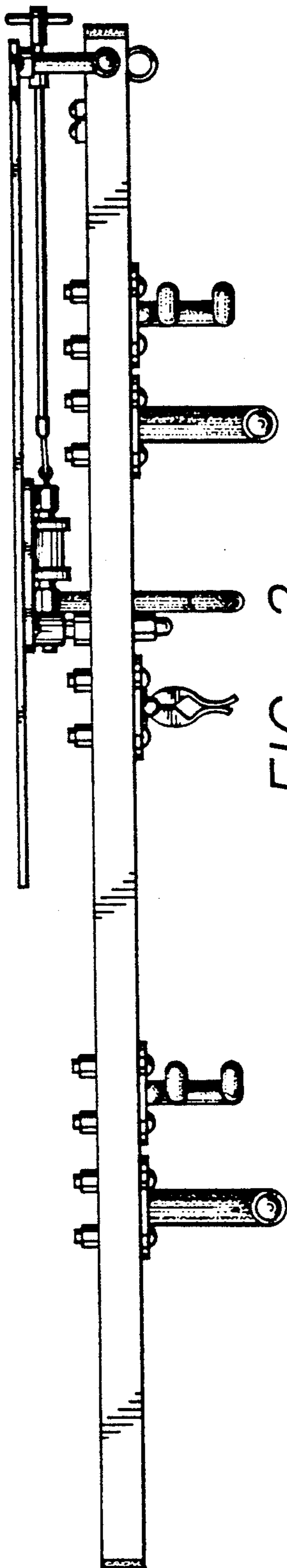


FIG. 2

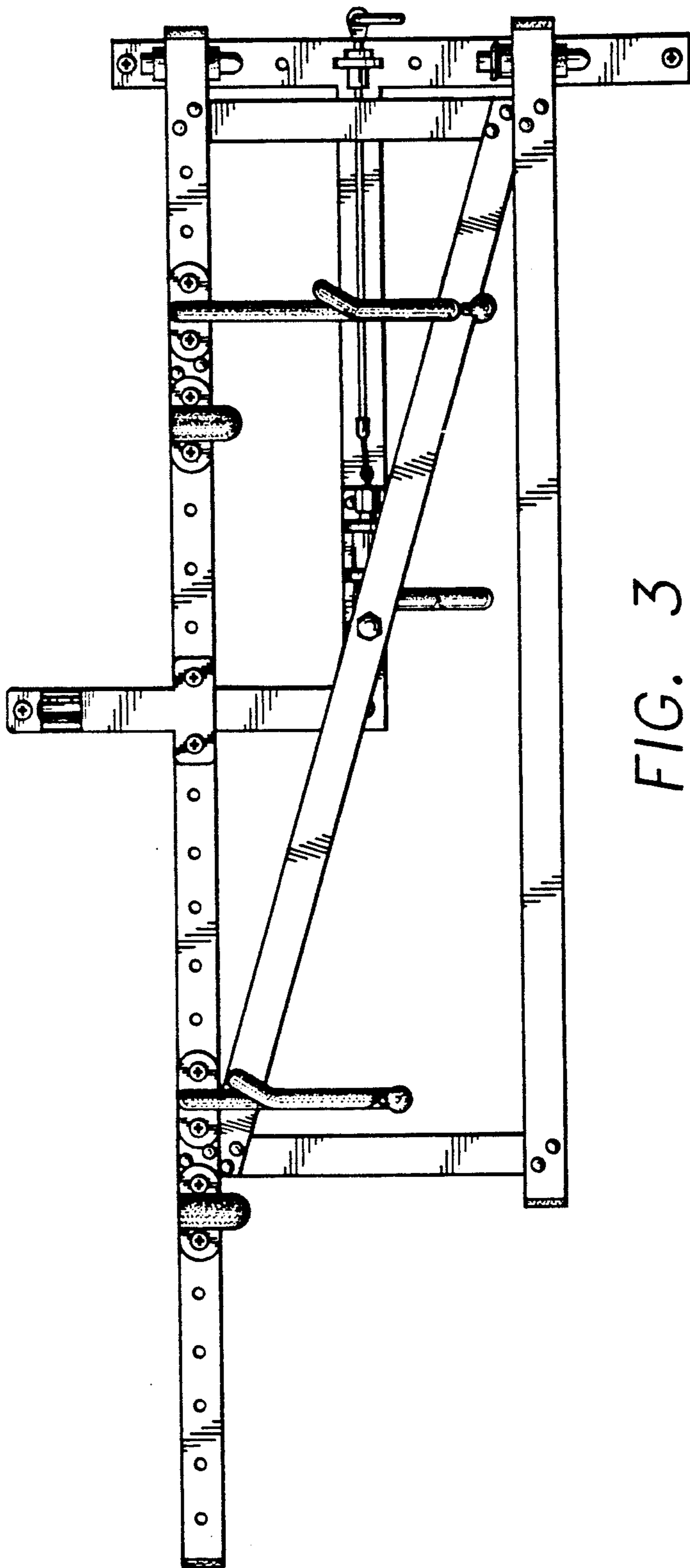


FIG. 3

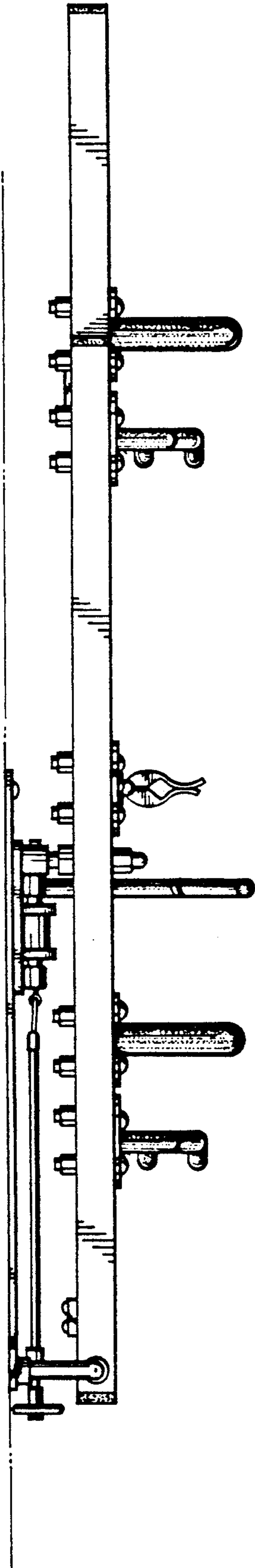


FIG. 4

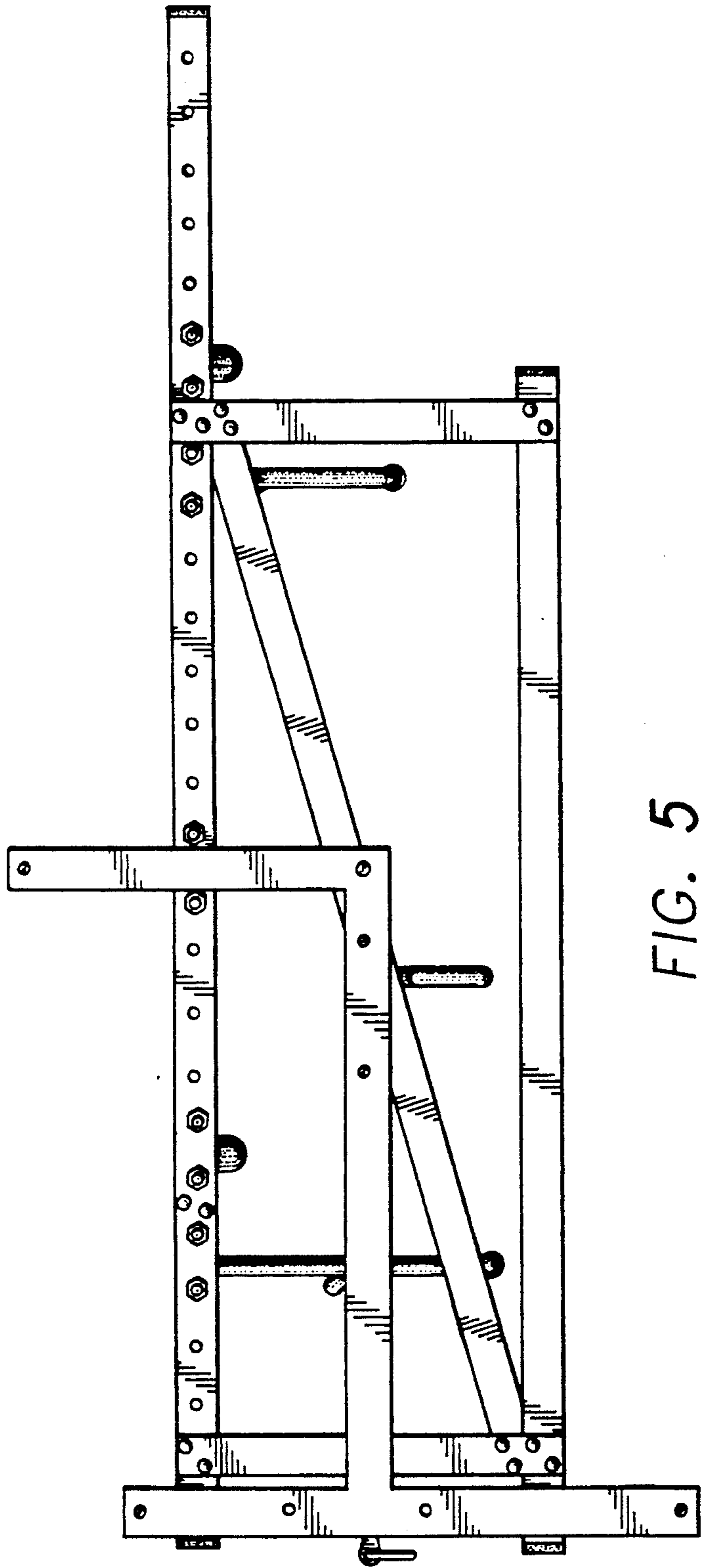


FIG. 5

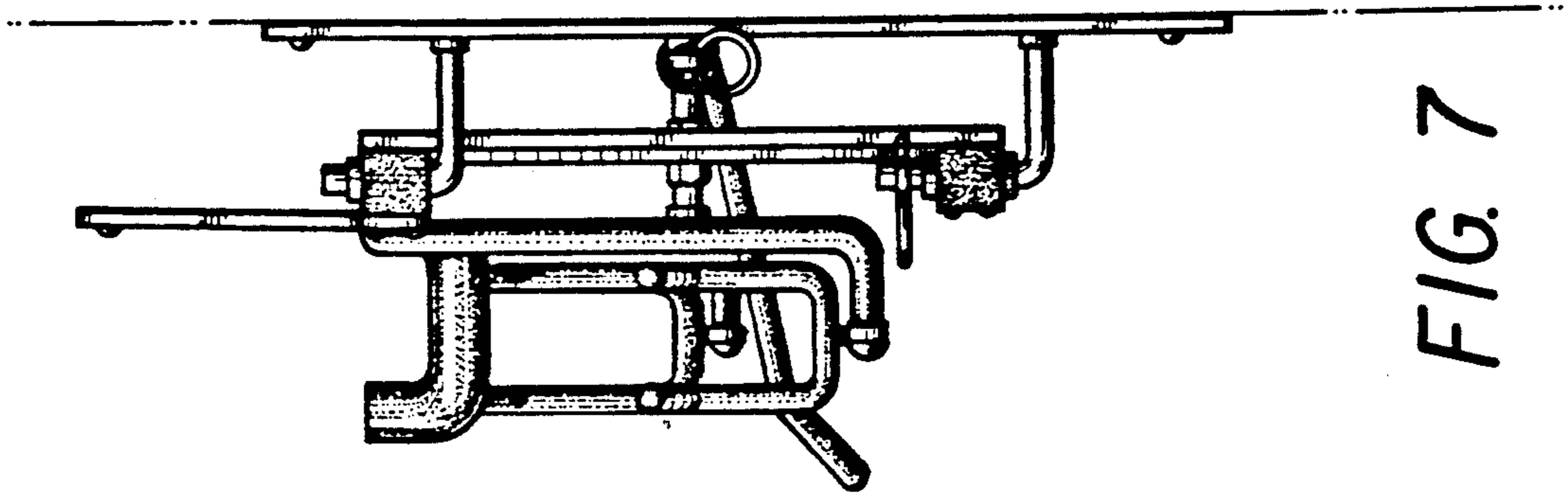


FIG. 7

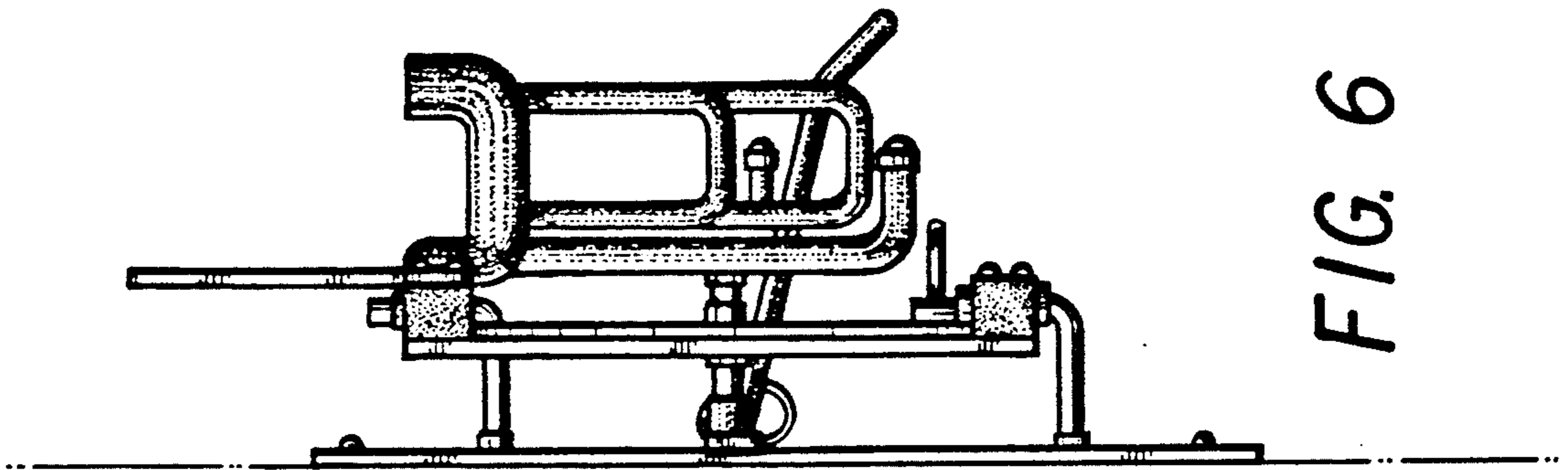


FIG. 6