



US00D345271S

United States Patent [19]

[11] Patent Number: **Des. 345,271**

Vetter

[45] Date of Patent: **** Mar. 22, 1994**

[54] TOILET BRUSH HOLDER

[56] References Cited

[75] Inventor: **Roland Vetter,**
Giengen-Sachsenhausen, Fed. Rep.
of Germany

U.S. PATENT DOCUMENTS

D. 264,782	6/1982	Thompson	D6/524
D. 297,292	8/1988	Plymahe	D6/551
4,033,650	7/1977	Alissandratos	312/206
4,211,750	7/1980	Gillespie	206/361

[73] Assignee: **Schwaebische Buerstenfabrik Hans Haug KG,** Koenigsbrunn, Fed. Rep. of Germany

Primary Examiner—Brian N. Vinson
Attorney, Agent, or Firm—Flynn, Thiel, Boutell & Tanis

[**] Term: **14 Years**

[57] CLAIM

The ornamental design for a toilet brush holder, as shown and described.

[21] Appl. No.: **930,824**

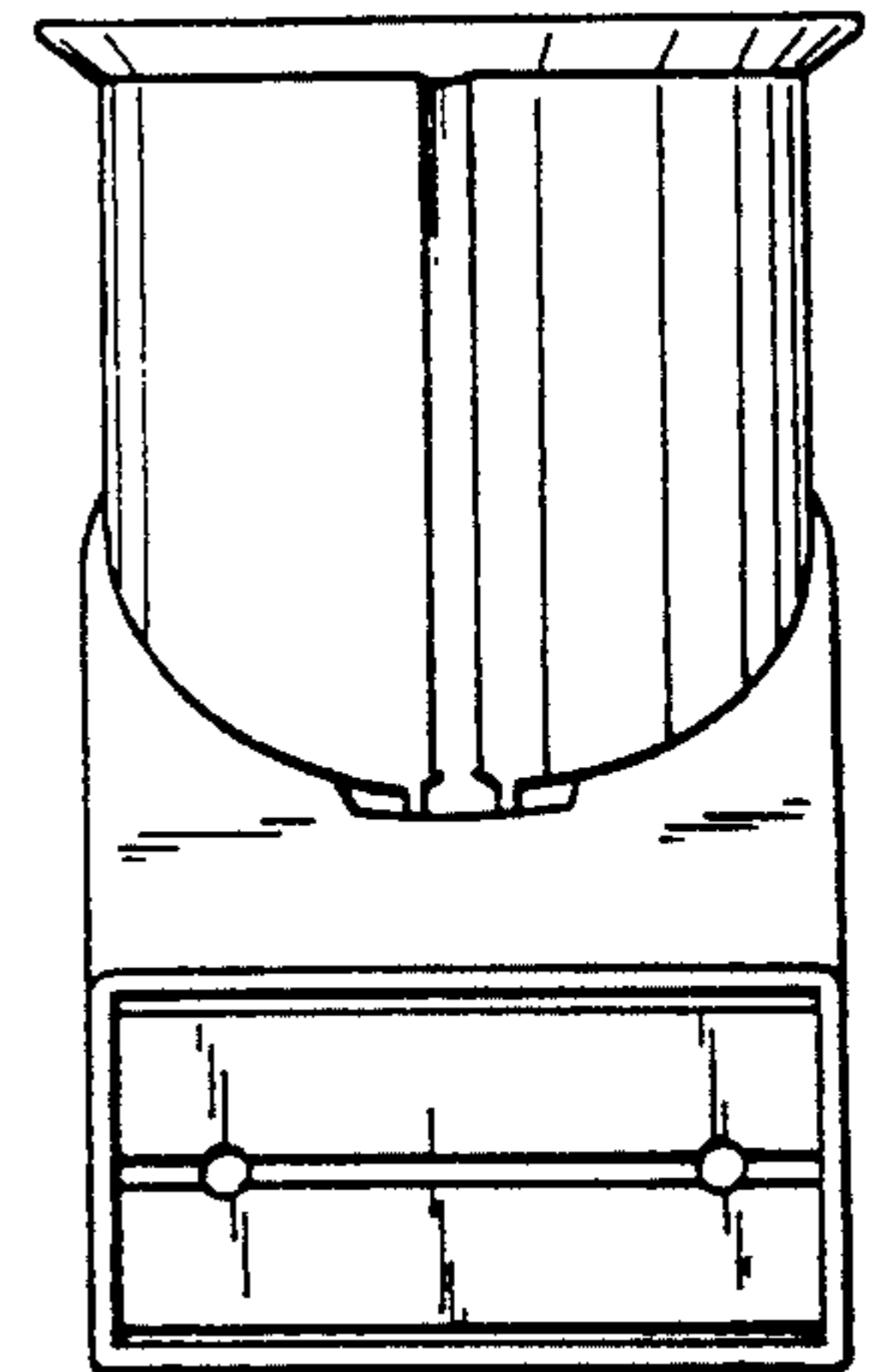
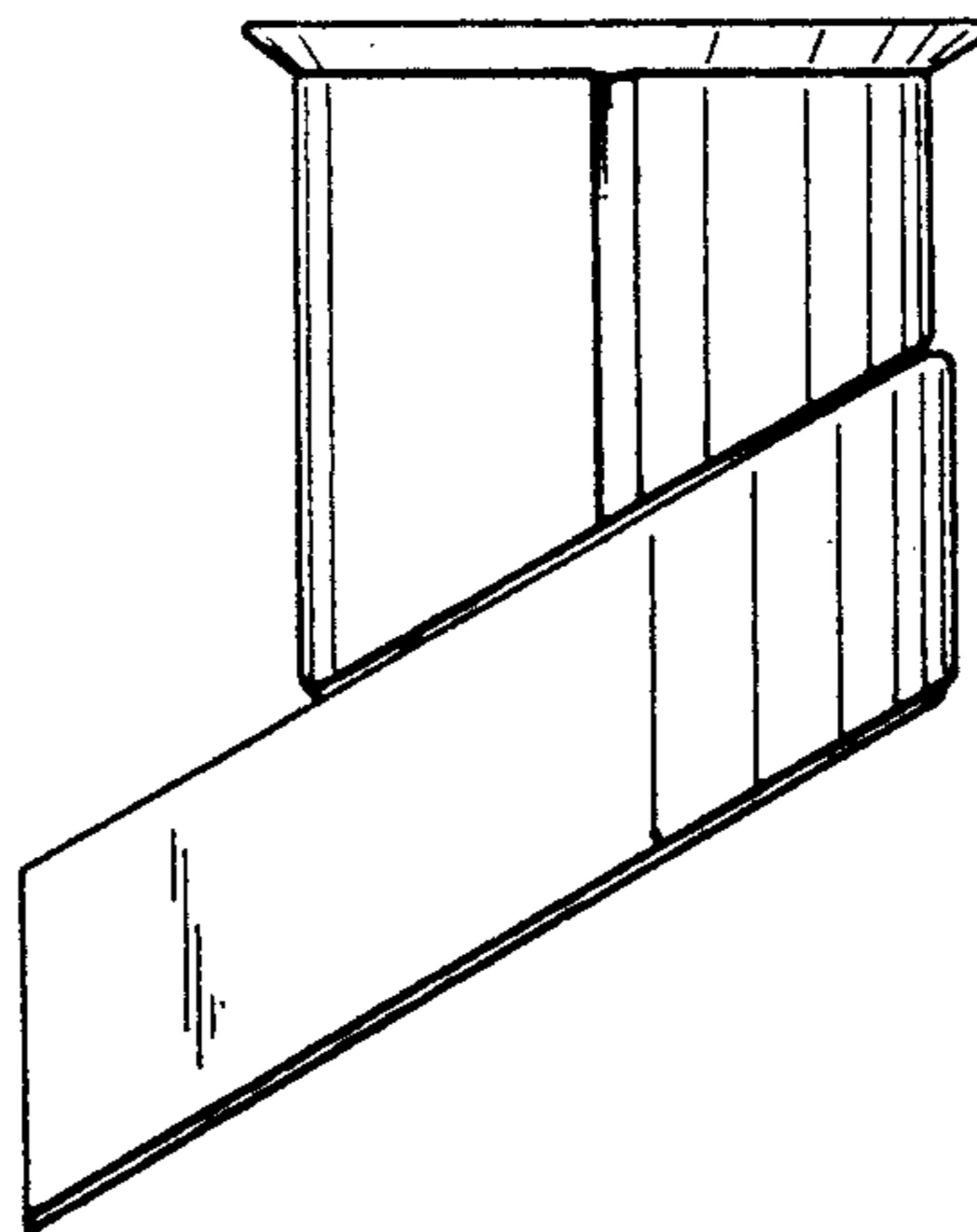
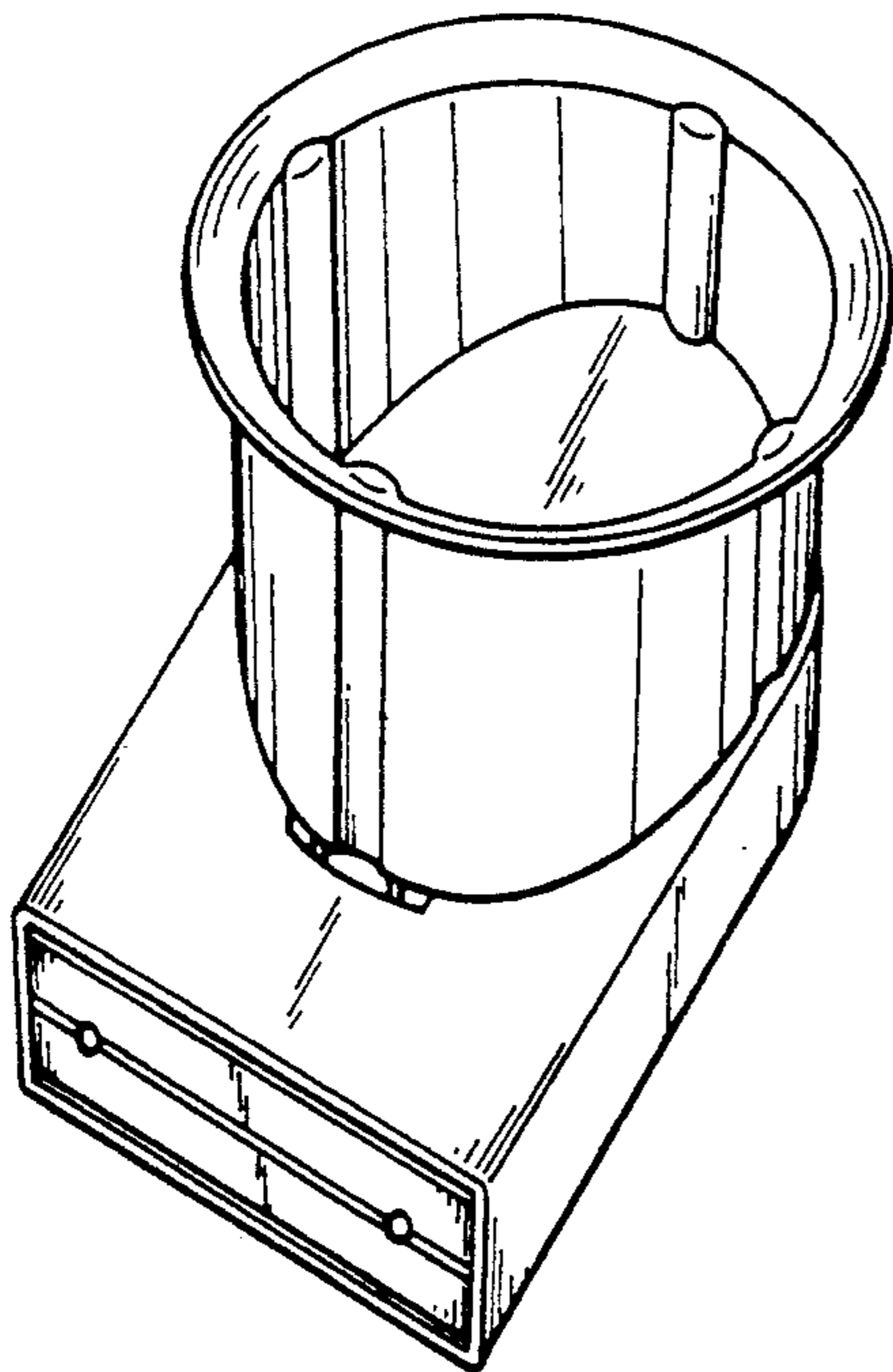
DESCRIPTION

[22] Filed: **Aug. 14, 1992**

FIG. 1 is a top, front, and right side perspective view of a toilet brush holder showing my new design; FIG. 2 is a left side elevational view thereof; FIG. 3 is a right side elevational view thereof; FIG. 4 is a front elevational view thereof; FIG. 5 is a rear elevational view thereof; FIG. 6 is a top plan view thereof; and, FIG. 7 is a bottom plan view thereof.

[30] Foreign Application Priority Data

Feb. 15, 1992 [DE]	Fed. Rep. of Germany	9201345
[52] U.S. Cl.		D6/551
[58] Field of Search		D6/524, 551; 312/206-207; 206/361, 15.2, 15.3



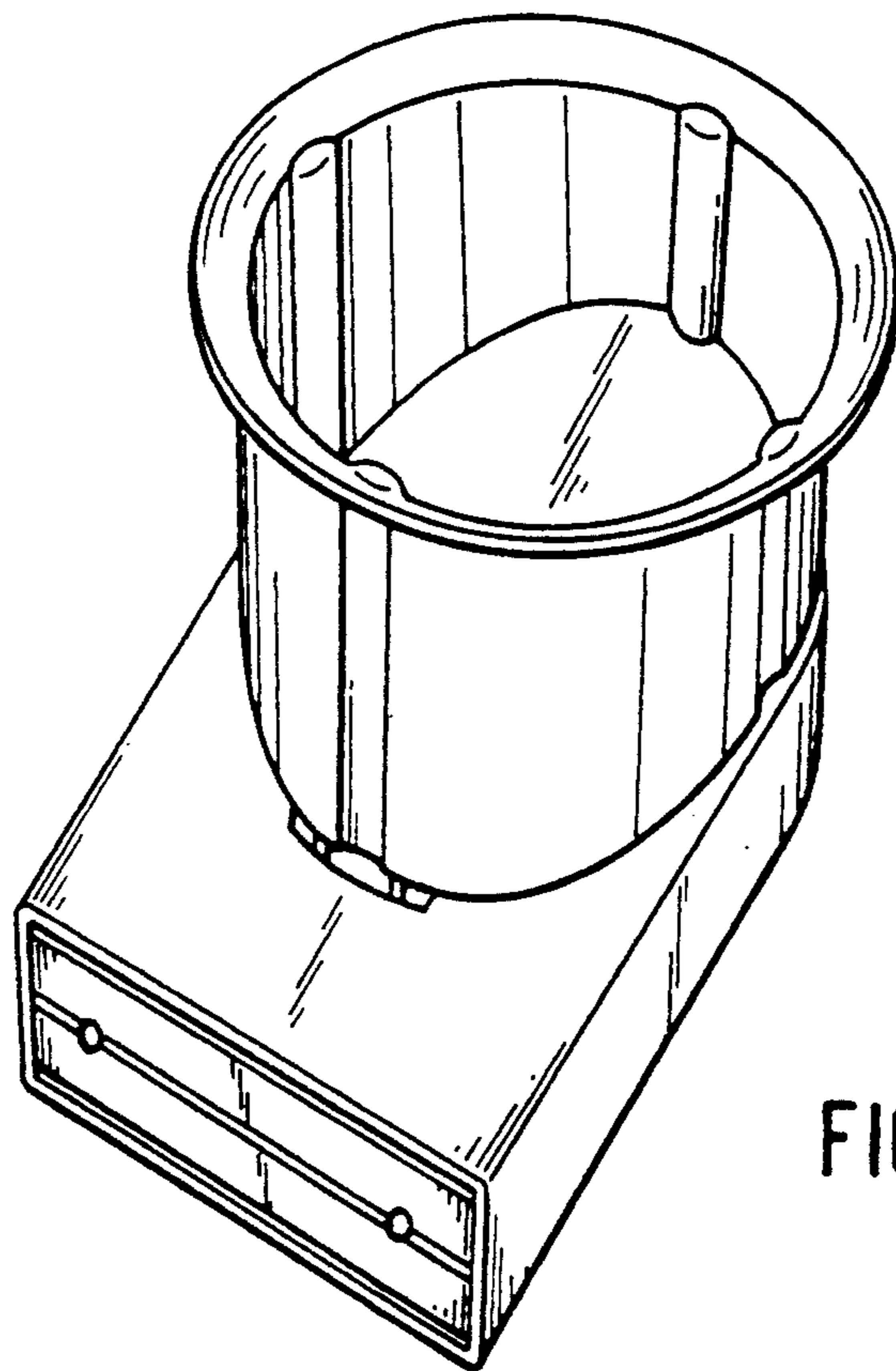


FIG. 1

FIG. 2

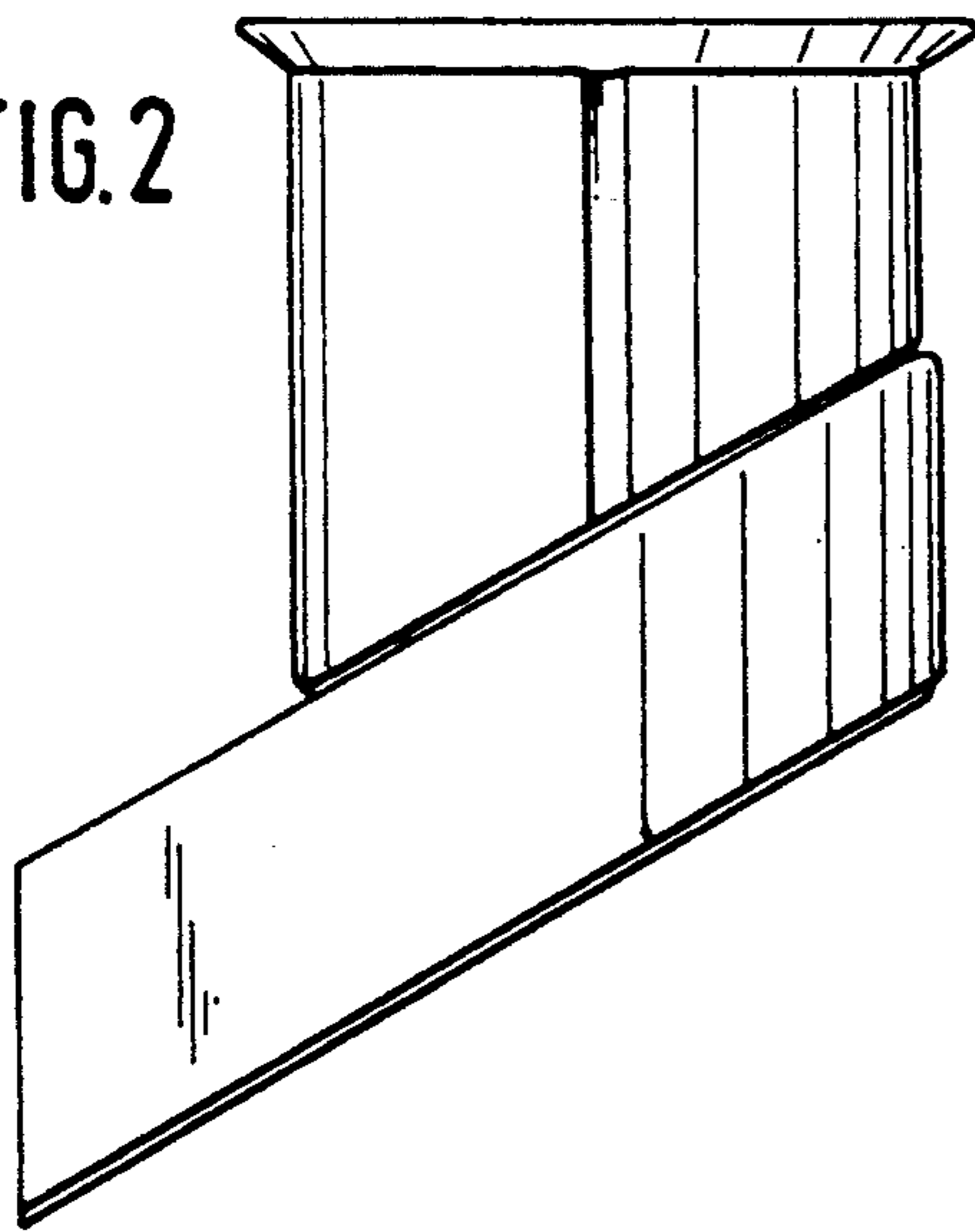


FIG. 3

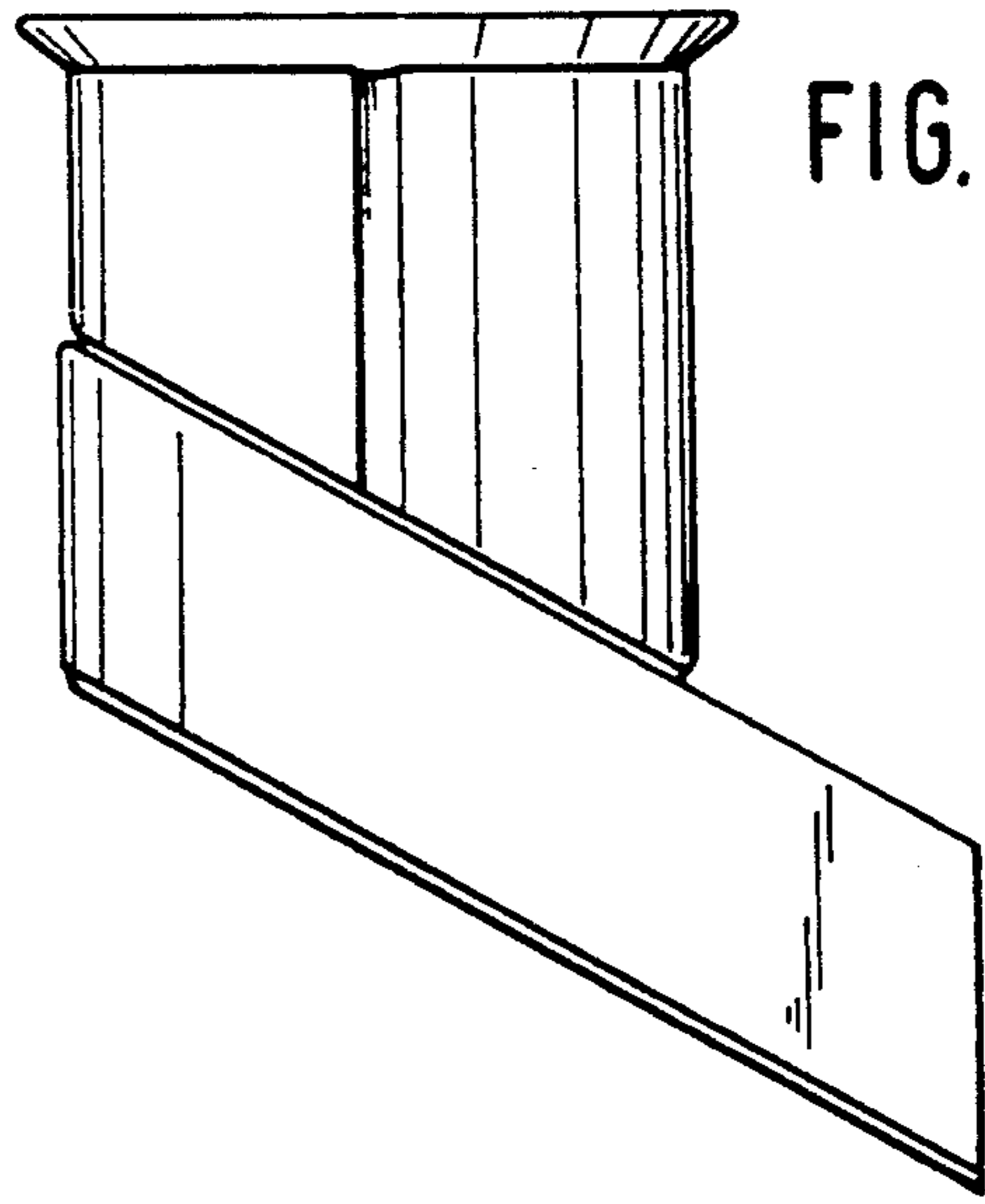


FIG. 4

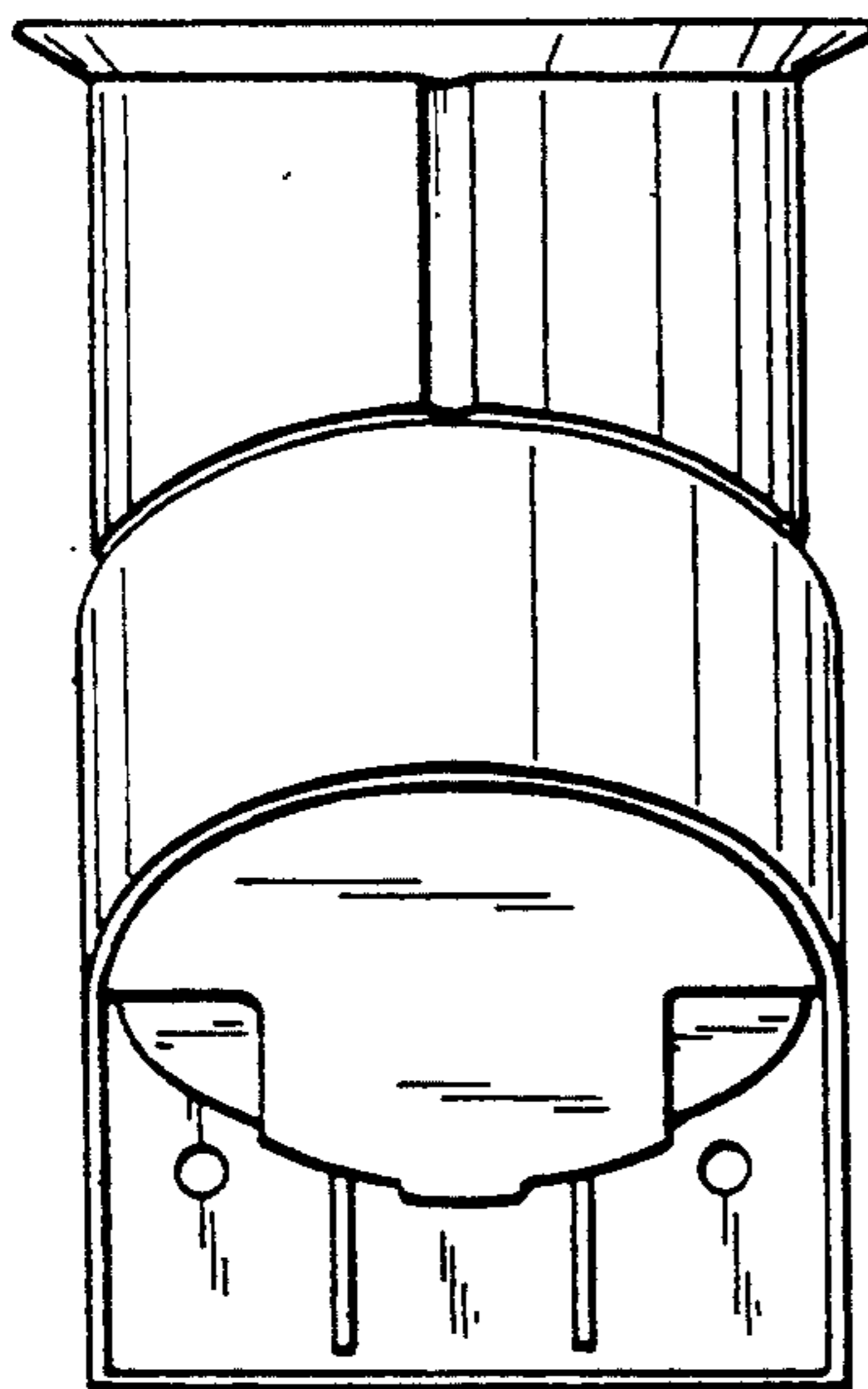


FIG. 5

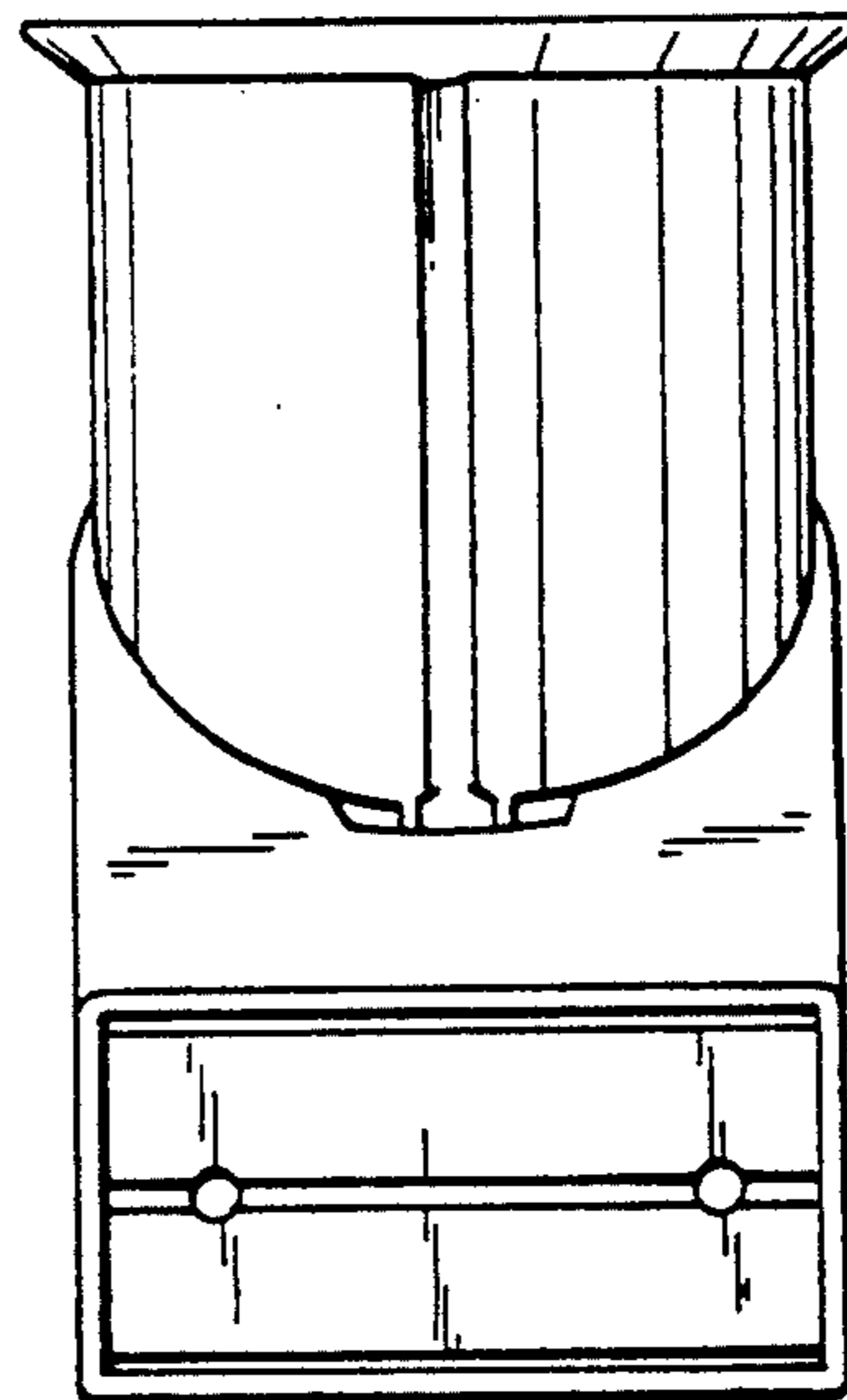


FIG. 6

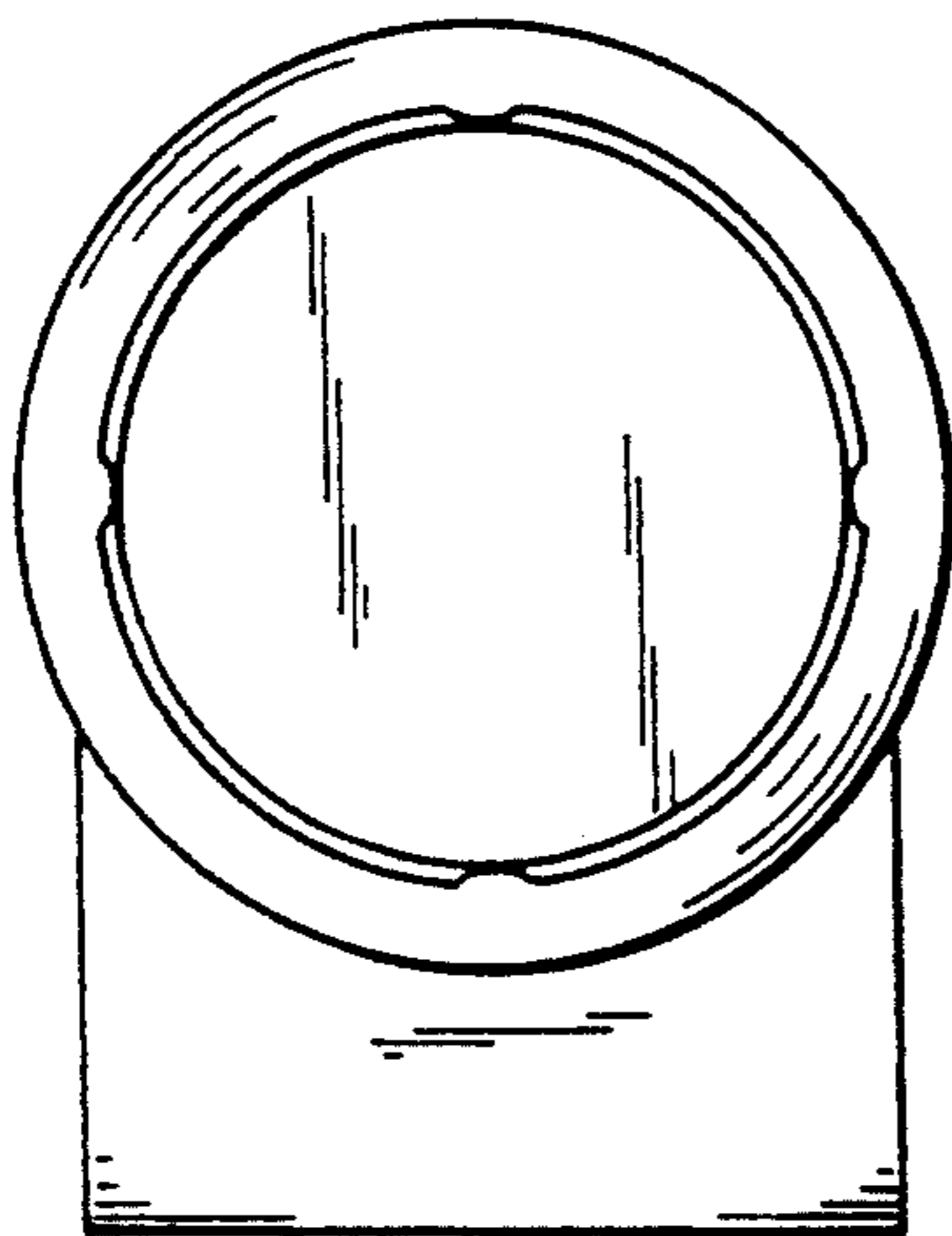


FIG. 7

