



US00D345269S

# United States Patent [19]

[11] Patent Number: **Des. 345,269**

Novak

[45] Date of Patent: **\*\* Mar. 22, 1994**

[54] **SHAVER HOLDER**

2,551,859 9/1951 Thompson ..... 248/176 X

[76] Inventor: **Paul F. Novak**, 87 Coggeshall St.,  
Fairhaven, Mass. 02719

*Primary Examiner*—Brian N. Vinson  
*Attorney, Agent, or Firm*—Herbert L. Bello

[\*\*] Term: **14 Years**

[57] **CLAIM**

[21] Appl. No.: **898,743**

The ornamental design for shaver holder, as shown and described.

[22] Filed: **Jun. 15, 1992**

[52] U.S. Cl. .... **D6/526**

[58] Field of Search ..... **D6/512, 526; D3/39;**  
248/176; **D9/342; 206/208, 352**

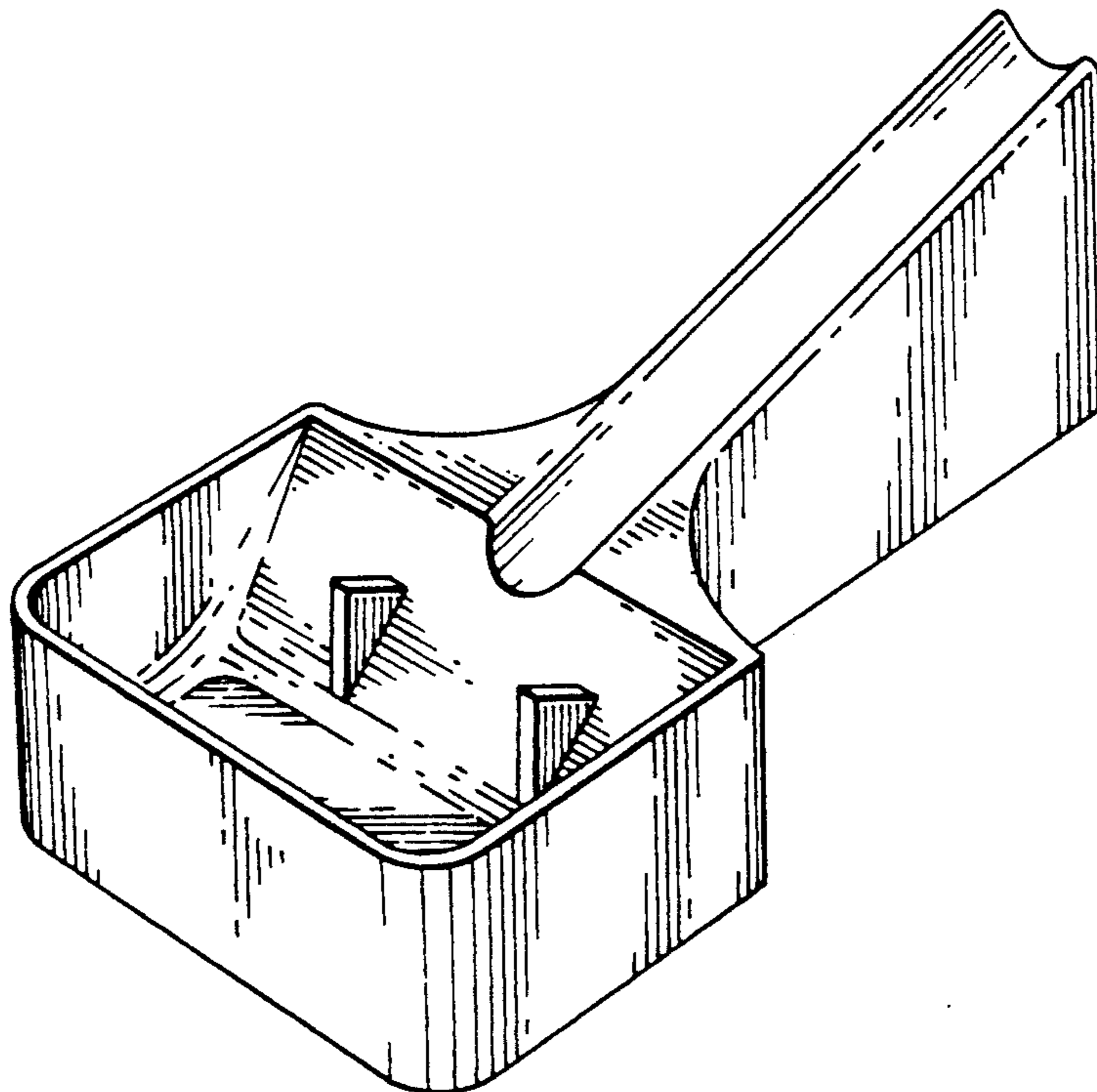
### DESCRIPTION

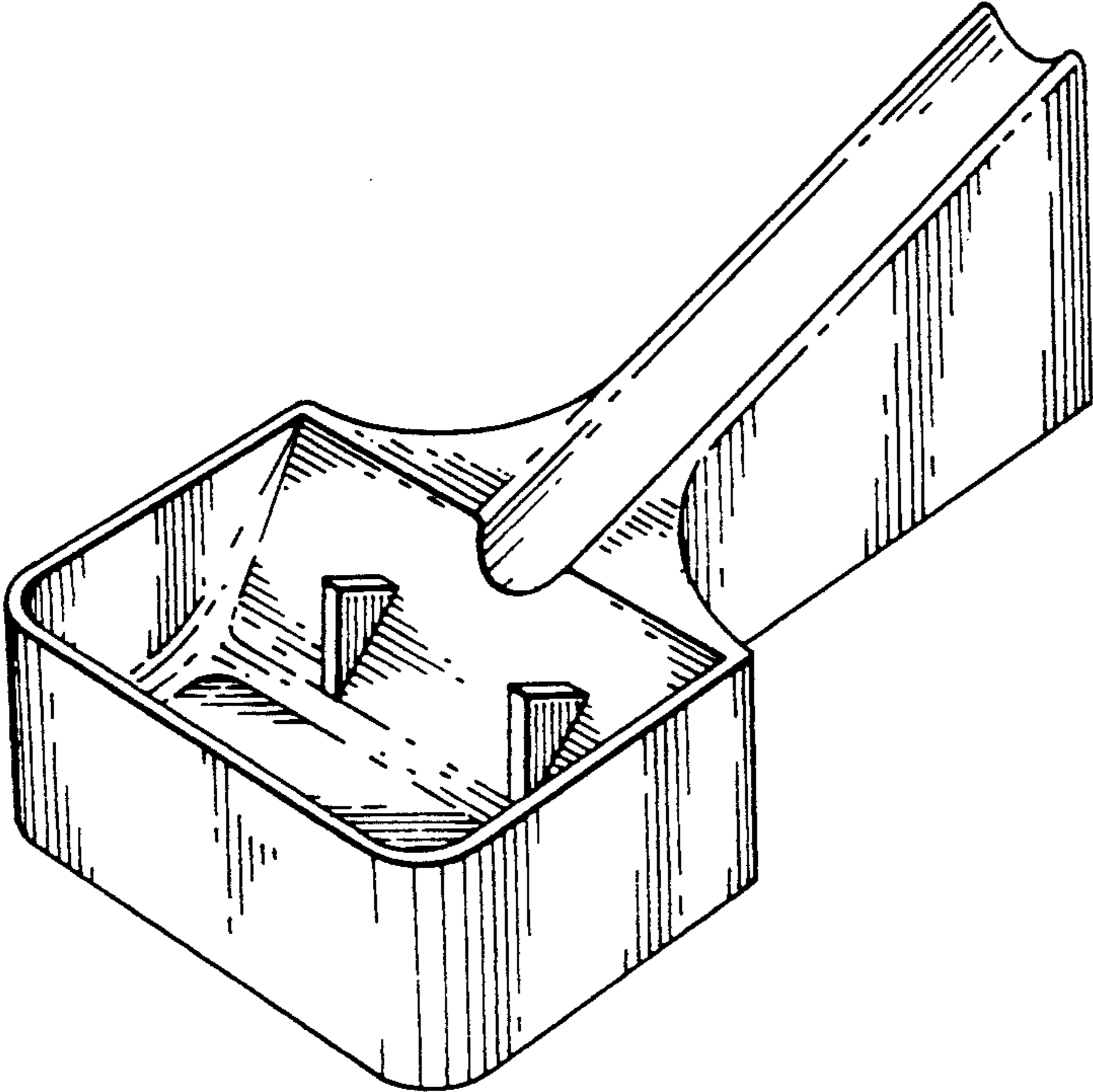
### [56] References Cited

#### U.S. PATENT DOCUMENTS

- D. 181,876 1/1958 Nolan et al. .... D6/526
- D. 323,062 1/1992 Slater ..... D3/39
- D. 335,599 5/1993 Novak ..... D6/526

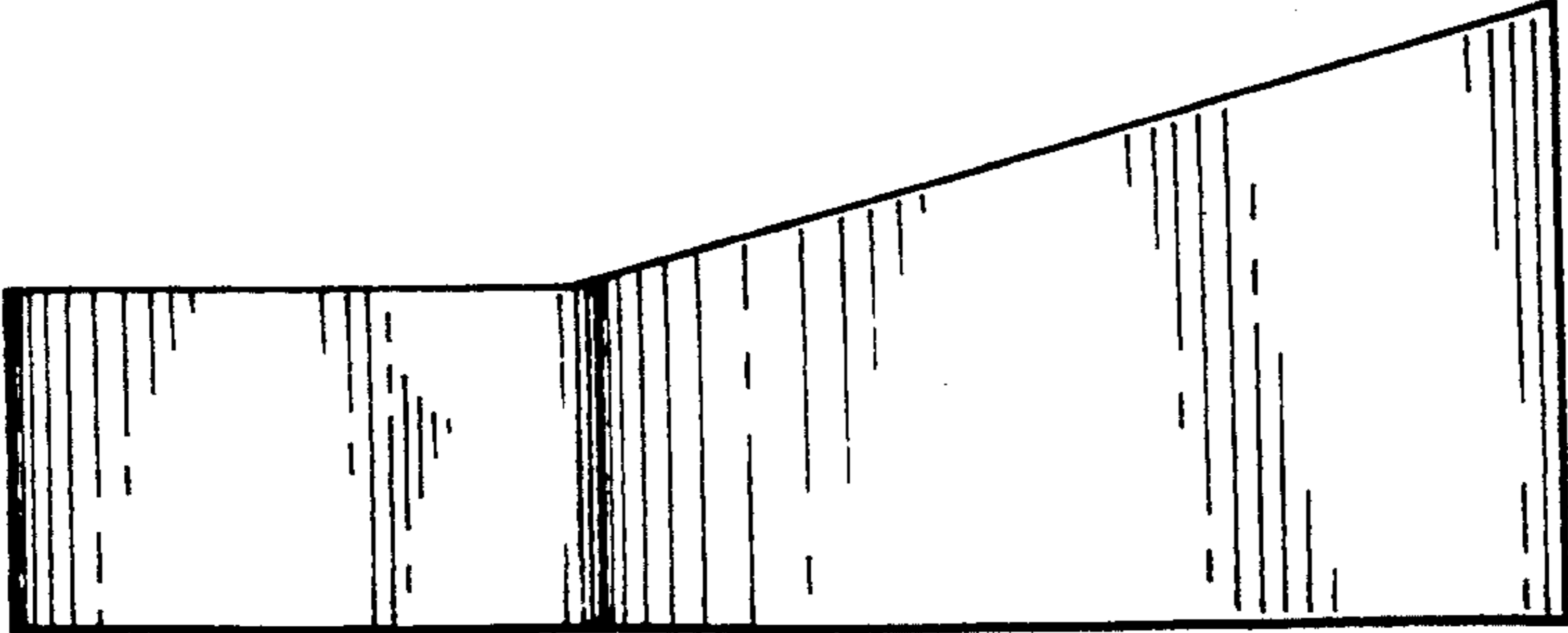
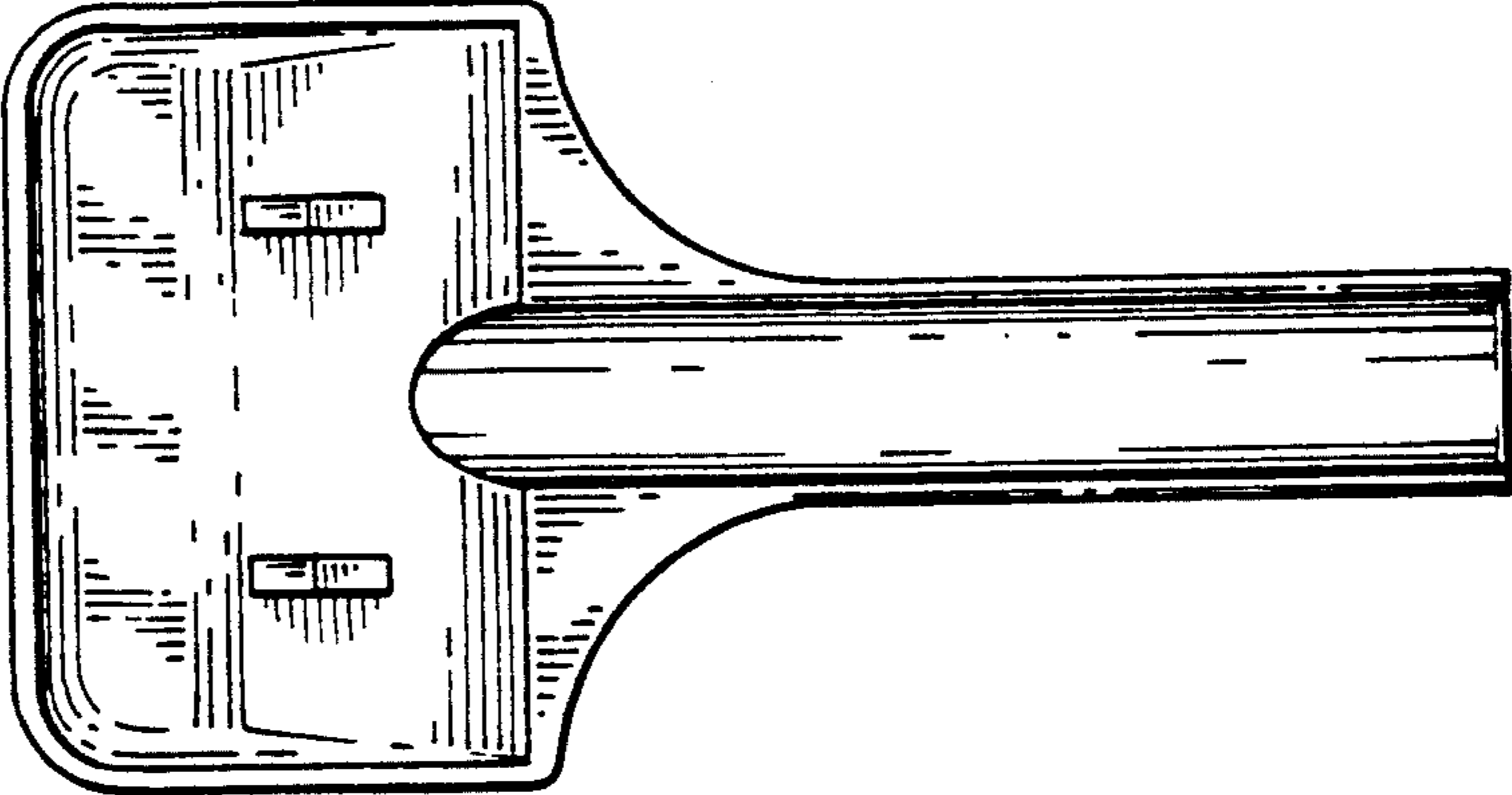
FIG. 1 is a perspective view of shaver holder showing my new design;  
 FIG. 2 is a top plan view;  
 FIG. 3 is a right side view, the other side being a mirror image thereof;  
 FIG. 4 is a front view;  
 FIG. 5 is a bottom plan view; and,  
 FIG. 6 is a rear view.



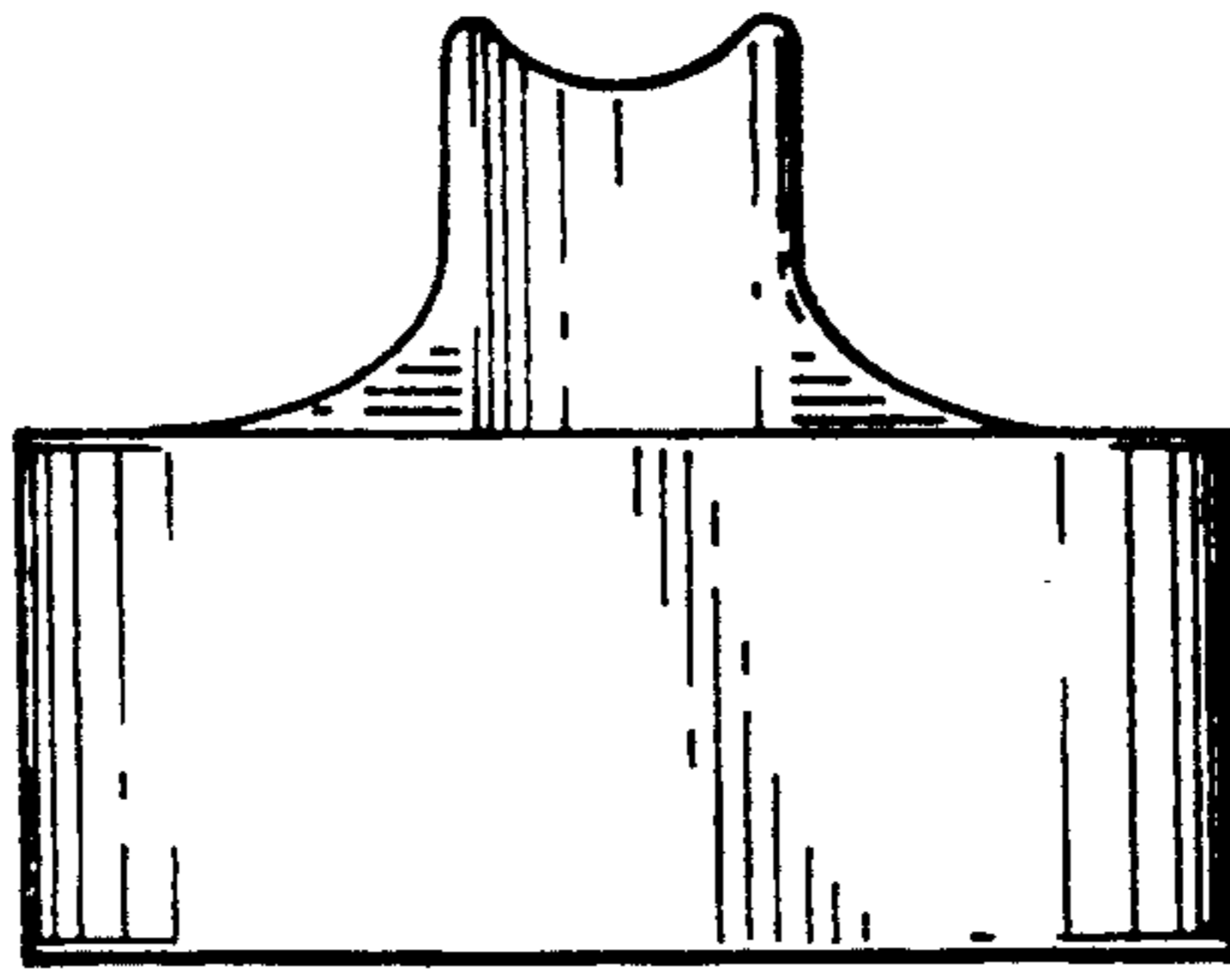


*FIG. 1*

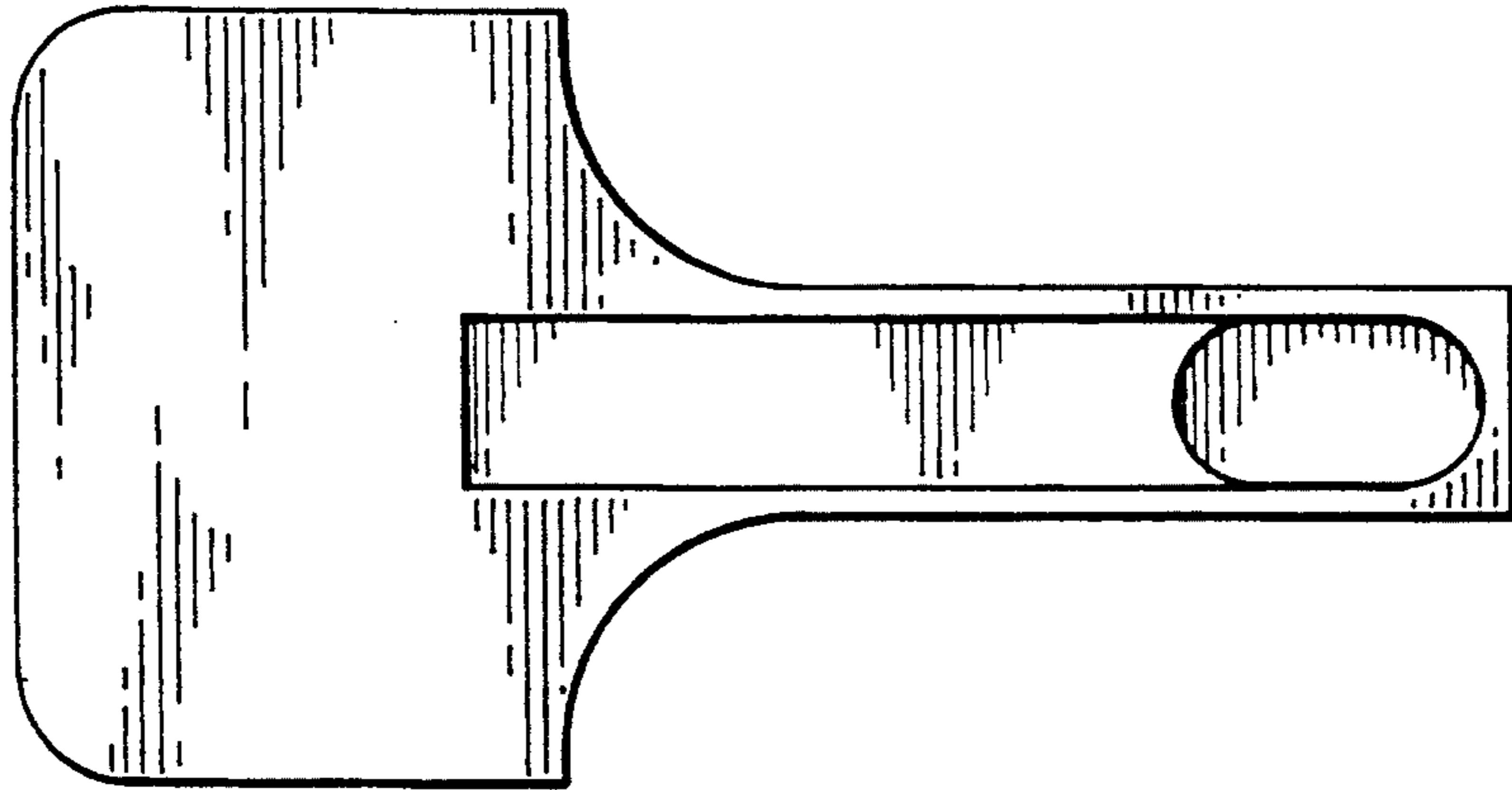
*FIG. 2*



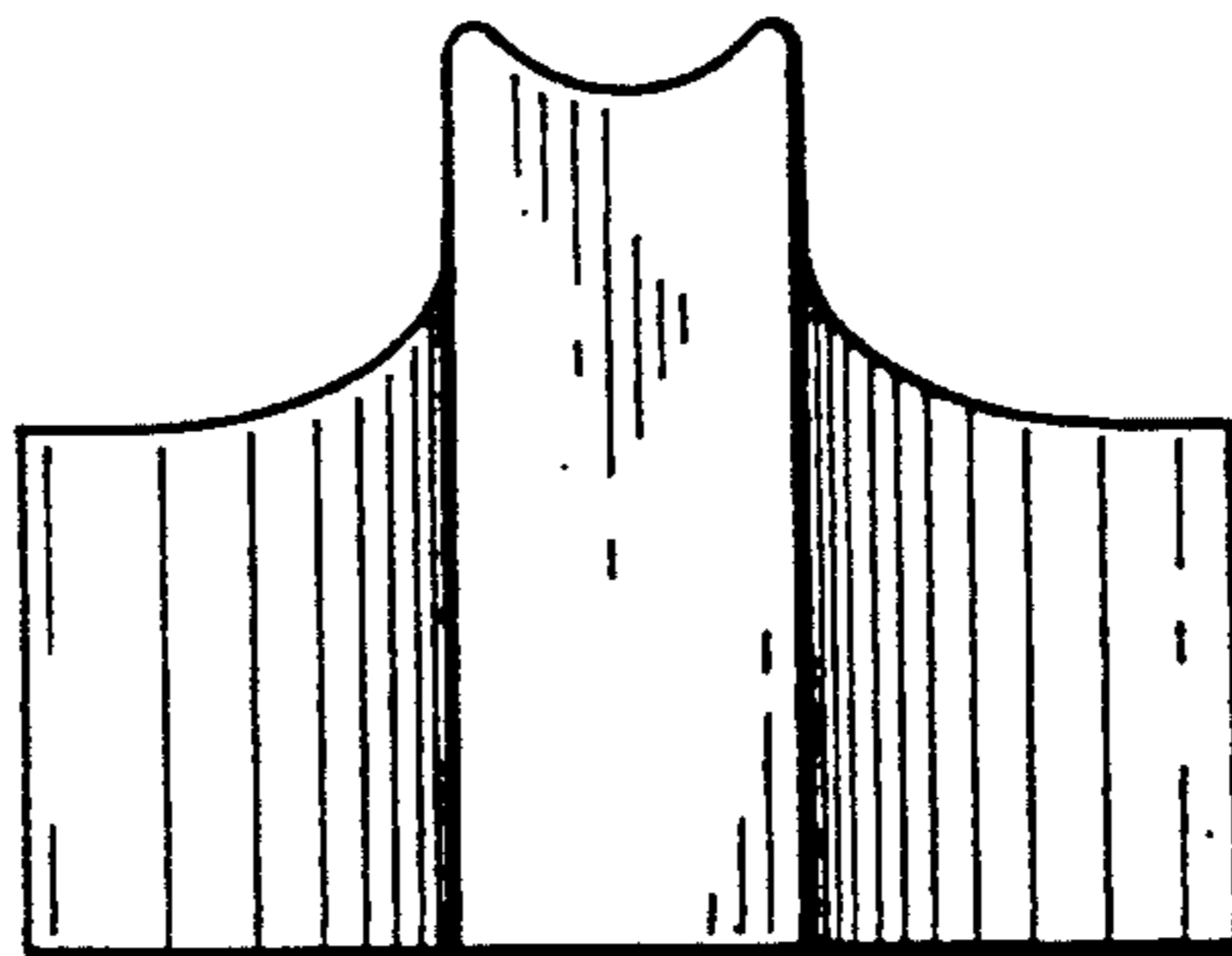
*FIG. 3*



*FIG. 4*



*FIG. 5*



*FIG. 6*