



US00D345268S

# United States Patent [19]

[11] Patent Number: Des. 345,268

Pate

[45] Date of Patent: \*\* Mar. 22, 1994

[54] SHELF

[76] Inventor: John S. Pate, 5339 Stonetrace, Gainesville, Ga. 30501

[\*\*] Term: 14 Years

[21] Appl. No.: 733,252

[22] Filed: Jul. 22, 1991

[52] U.S. Cl. .... D6/511; D25/119

[58] Field of Search ..... D6/491, 509-511, D6/466, 462, 475, 429, 566, 567, 572; 248/281.1; 211/88, 90, 126, 134, 135, 153; 108/137-139, 47, 49; D19/86, 92; D25/119

[56] **References Cited**

**U.S. PATENT DOCUMENTS**

D. 47,729	8/1915	Hevlings, Jr. ....	D25/119
D. 110,622	7/1938	Lowry .....	D25/119
D. 162,842	4/1951	Kleen .....	D25/119
D. 198,447	6/1964	Lovgren .....	D25/119
D. 200,583	3/1965	Schaefer et al. .	
D. 201,808	8/1965	Yamasaki et al. .	
D. 237,103	10/1975	Fisher .....	D25/119
D. 239,231	3/1976	Cockcroft et al. .	
D. 239,232	3/1976	Cockcroft et al. .	
D. 244,499	5/1977	Parfitt .	

D. 257,797	1/1981	Aprahamian .	
D. 299,194	1/1989	Pate .	
D. 306,079	2/1990	Whitney .....	D25/119
D. 306,670	3/1990	Pfeuger et al. .	
D. 311,657	10/1990	Pate .....	D6/511 X
D. 887,882	5/1908	Waugh .	
2,915,193	12/1959	Bromberg .	
3,135,388	6/1964	Lang .	
3,863,575	2/1975	Kuns et al. .	

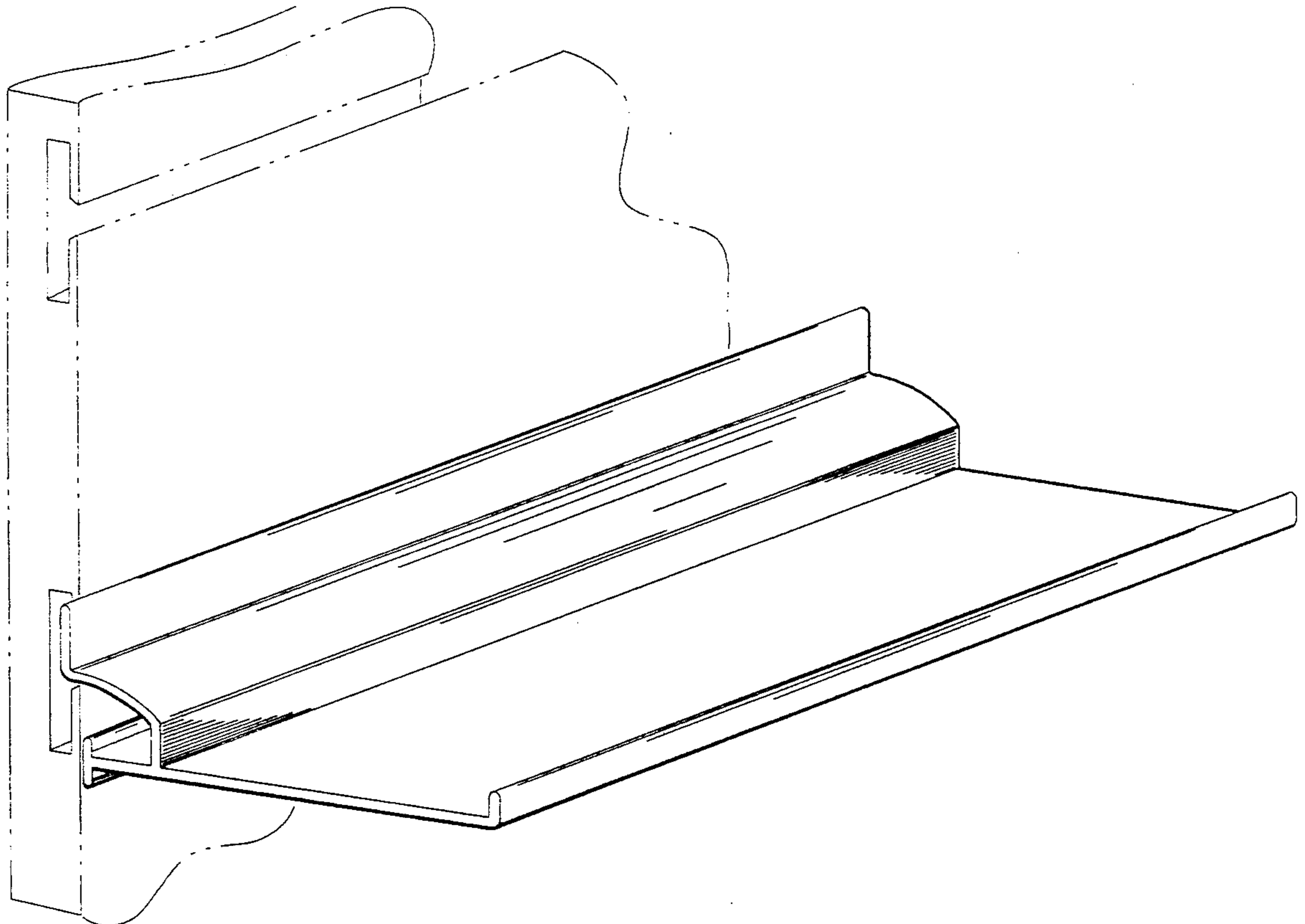
Primary Examiner—Nelson C. Holtje  
Assistant Examiner—J. E. Seeger  
Attorney, Agent, or Firm—Jones & Askew

[57] **CLAIM**

The ornamental design for a shelf, as shown and described.

**DESCRIPTION**

FIG. 1 is a perspective view of a shelf, showing my new design, the broken lines are for environmental purposes only and form no part of the claimed design.  
FIG. 2 is a top plan view thereof;  
FIG. 3 is a front plan view thereof;  
FIG. 4 is a lower plan view thereof;  
FIG. 5 is a rear plan view thereof; and,  
FIG. 6 is an end view thereof.



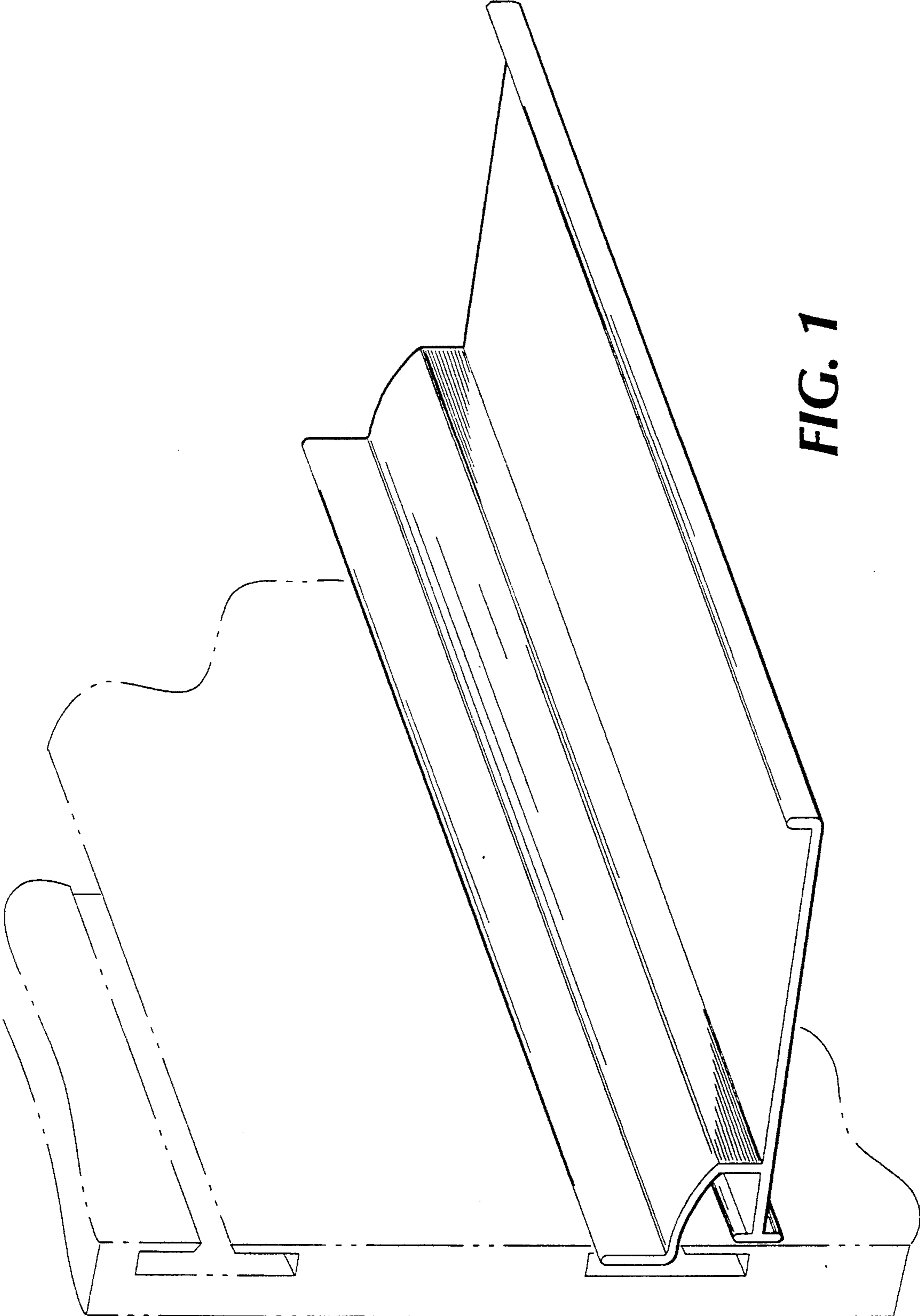
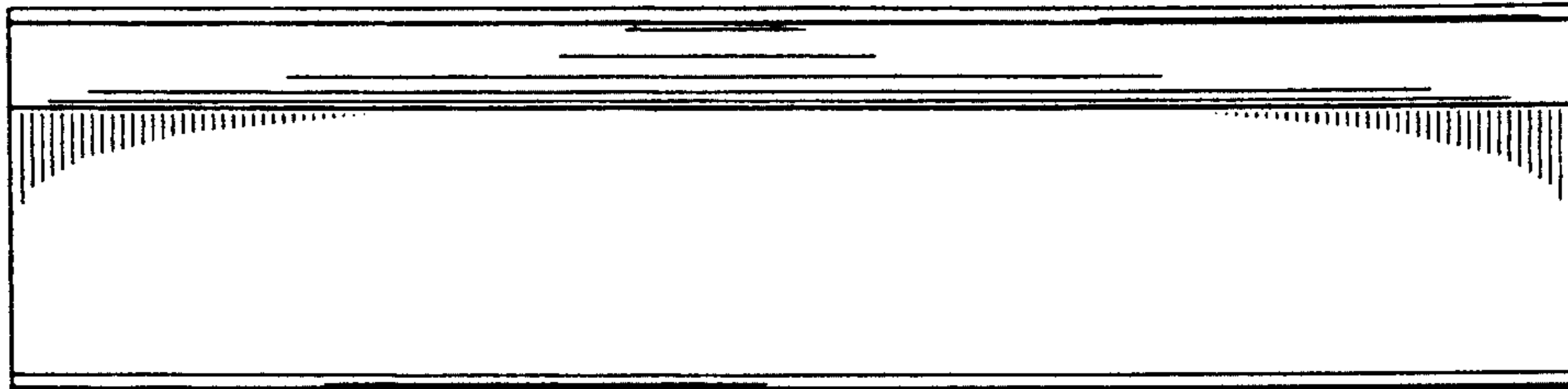
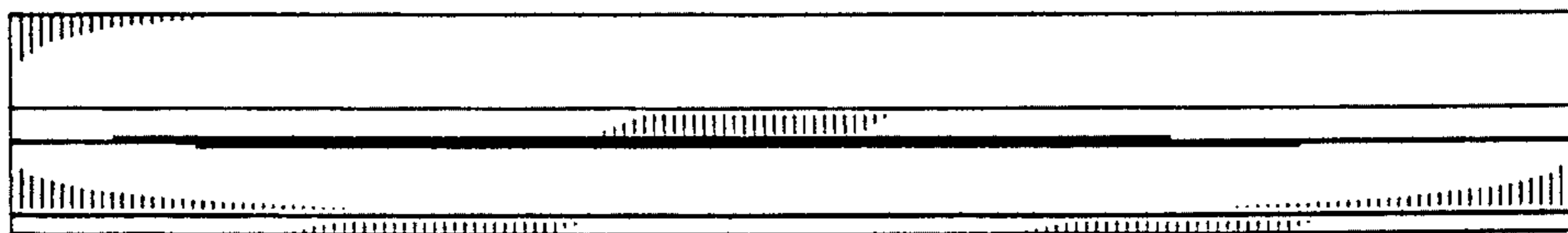


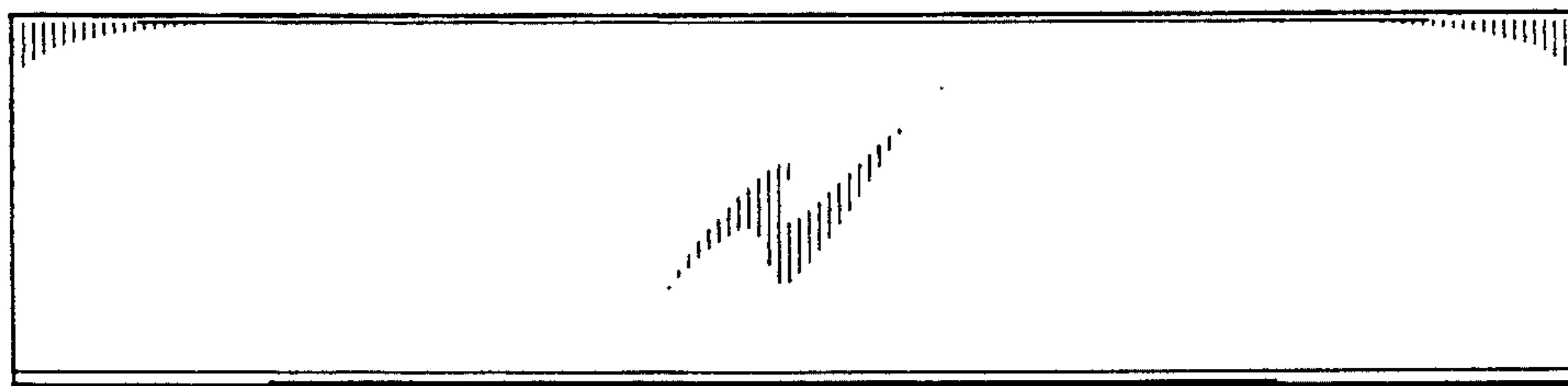
FIG. 1



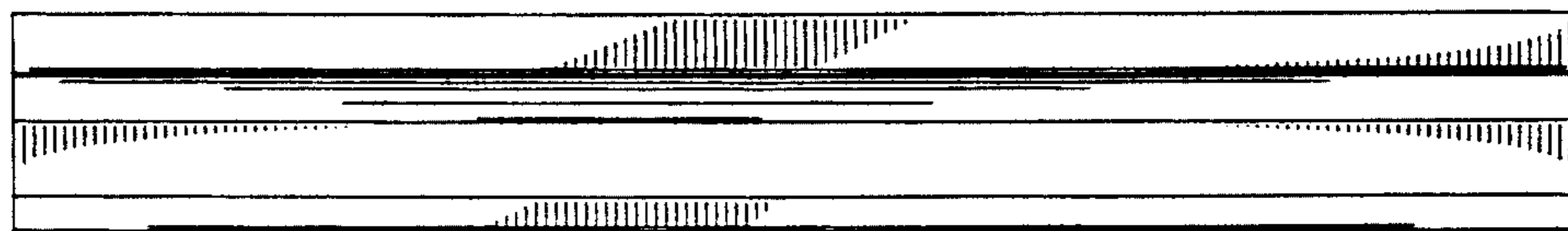
**FIG. 2**



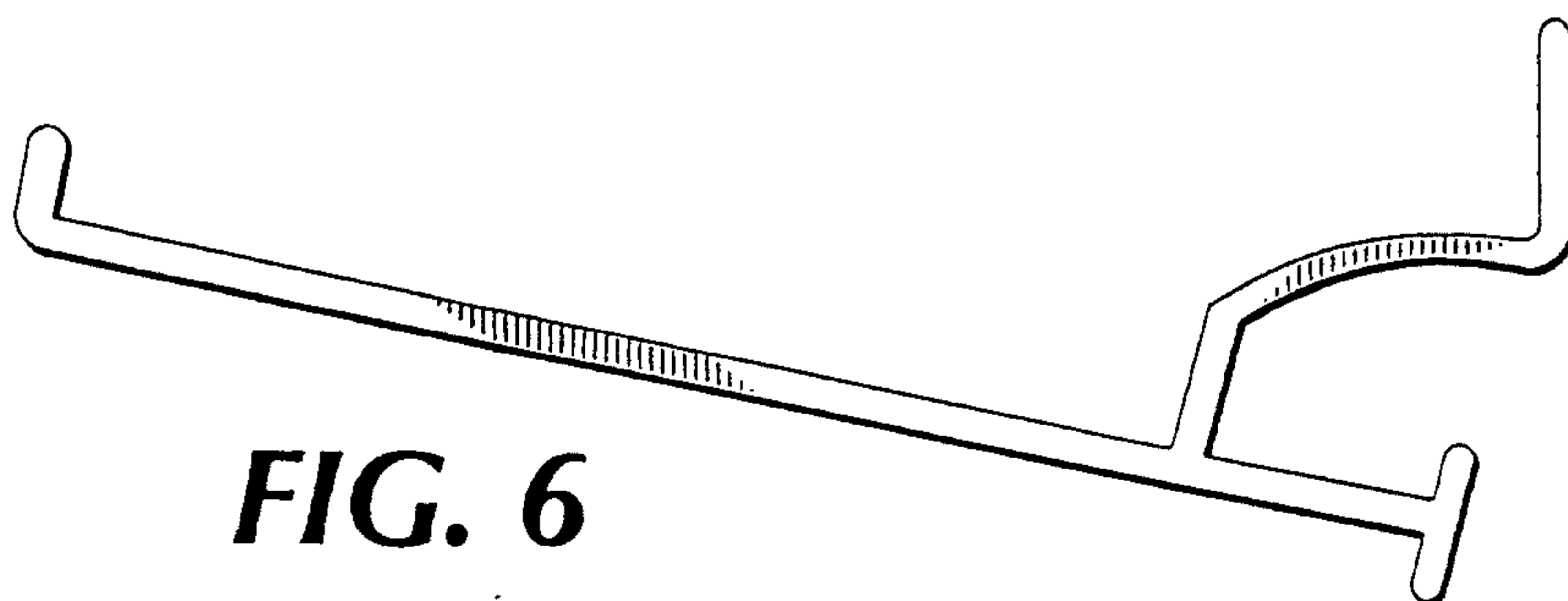
**FIG. 3**



**FIG. 4**



**FIG. 5**



**FIG. 6**