



US00D345267S

United States Patent [19]

[11] Patent Number: **Des. 345,267**

Moore

[45] Date of Patent: **** Mar. 22, 1994**

[54] COMPUTER SUPPORT

4,313,589 2/1982 Vega D6/420 X

[75] Inventor: **Edward Moore, L'Acadie, Canada**

OTHER PUBLICATIONS

[73] Assignee: **2749394 Canada Inc., Montreal, Canada**

Global, cat-63, p. 78, 1986 catalog, Bilevel pc workstation.

[**] Term: **14 Years**

Global catalog, on insert, the "Back Saver Prevel, 1986, scan desk at top right, p. 12.

[21] Appl. No.: **869,712**

Primary Examiner—Alan P. Douglas

[22] Filed: **Apr. 17, 1992**

Assistant Examiner—Jeffrey Asch

[52] U.S. Cl. **D6/474**

Attorney, Agent, or Firm—McFadden, Fincham, Marcus & Anissimoff

[58] Field of Search D6/420, 474, 429-431, D6/477-479, 484, 419, 426, 449; 211/13, 182, 149, 134, 153; 248/449, 445, 158, 558; 312/194-196, 223; D34/14, 17, 21

[57] CLAIM

The ornamental design for a computer support, as shown.

[56] References Cited

DESCRIPTION

U.S. PATENT DOCUMENTS

D. 169,012	3/1953	Musacco	D6/420 X
D. 280,478	9/1985	Stephens	D6/477
D. 288,750	3/1987	Friedman	D6/477 X
D. 304,112	10/1989	Bettess	D34/21
D. 306,105	2/1990	Newhouse	D6/420
D. 335,786	5/1993	Garvey et al.	D6/474

FIG. 1 is a perspective view of a computer support showing my new design;

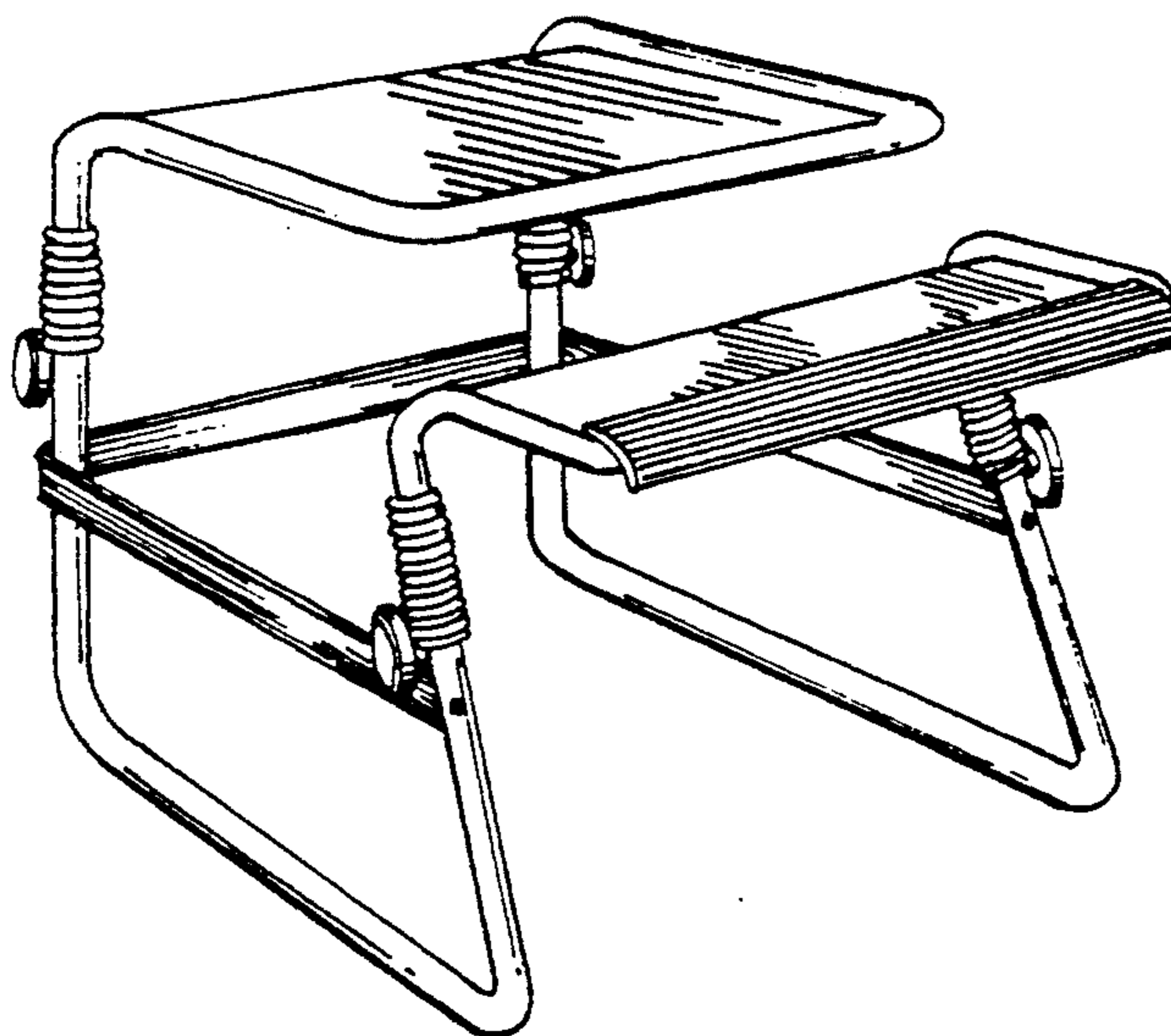
FIG. 2 is a left side elevational view of the design;

FIG. 3 is a front elevational view of the design;

FIG. 4 is a rear elevational view of the design;

FIG. 5 is a top plan view of the design; and,

FIG. 6 is a bottom plan view of the design.



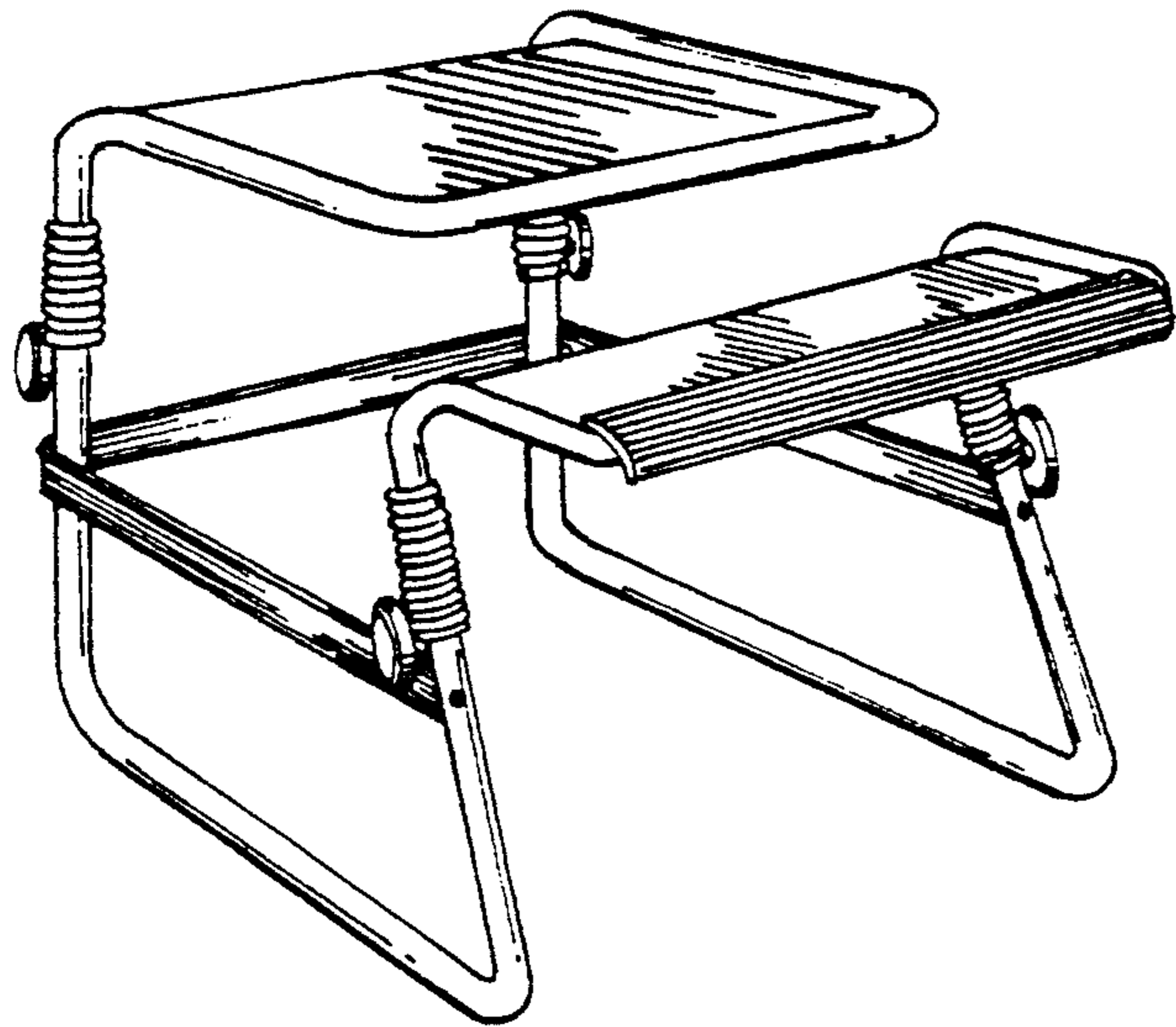


Fig. 1

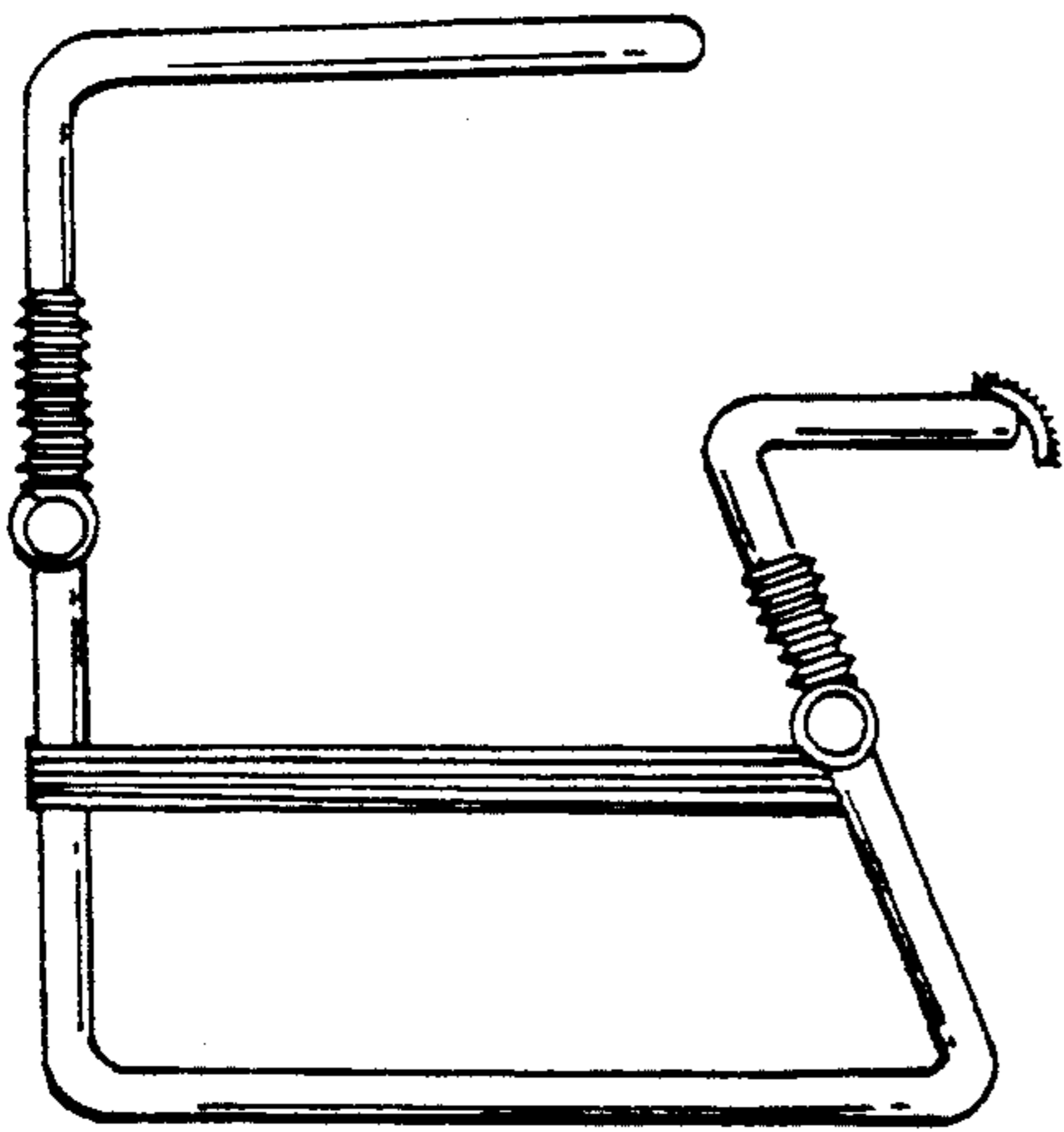


Fig. 2

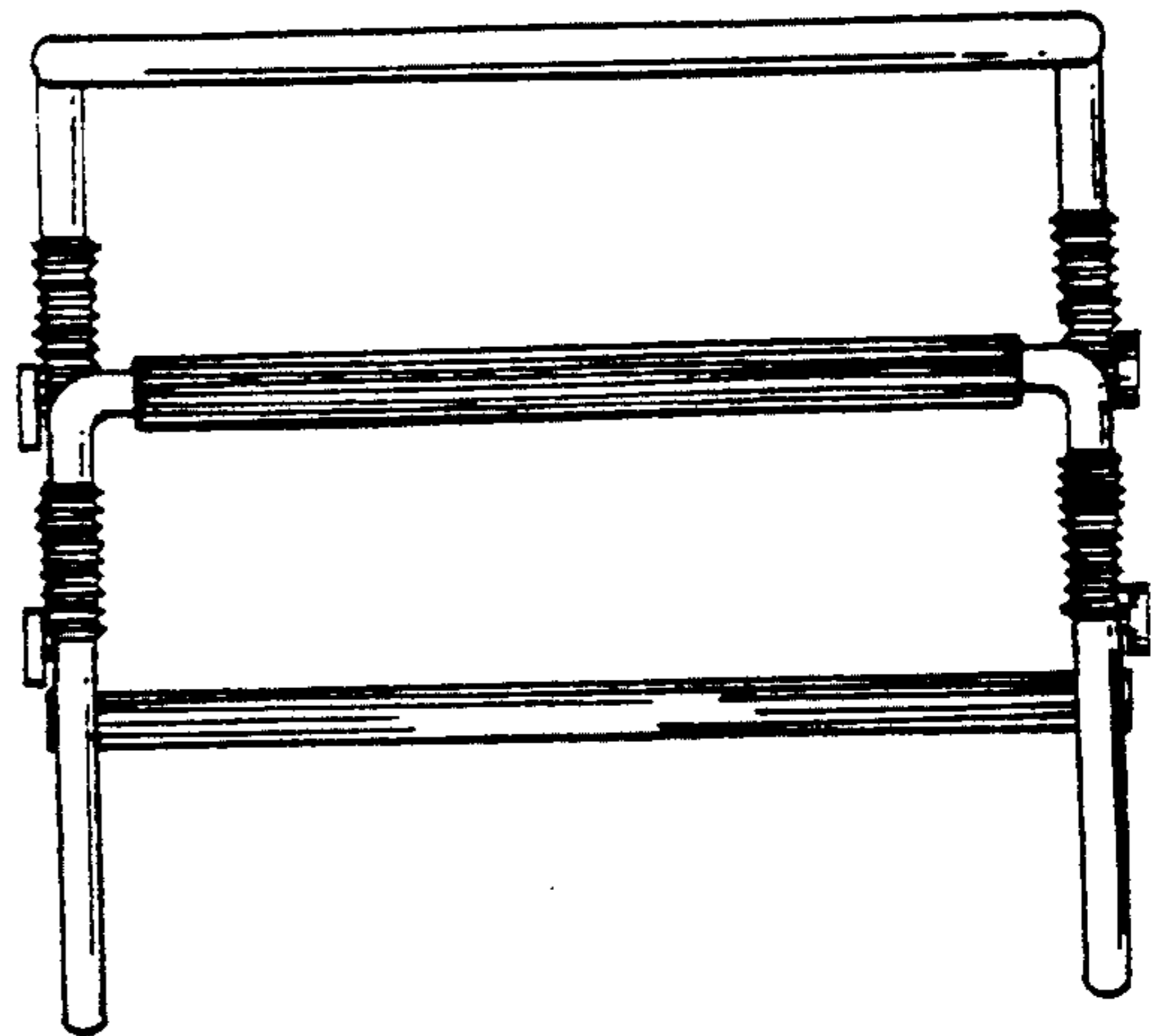


Fig. 3

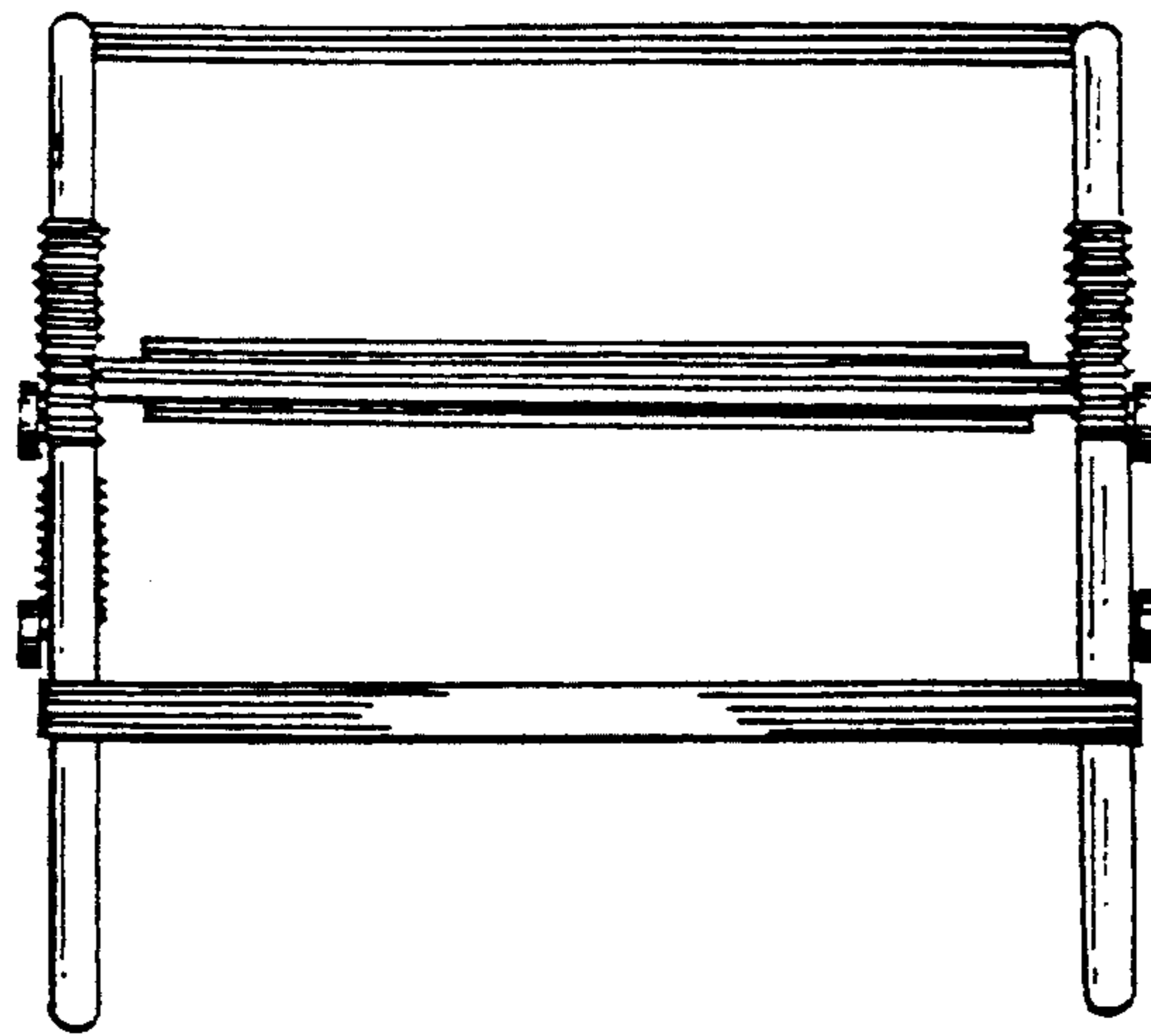


Fig. 4

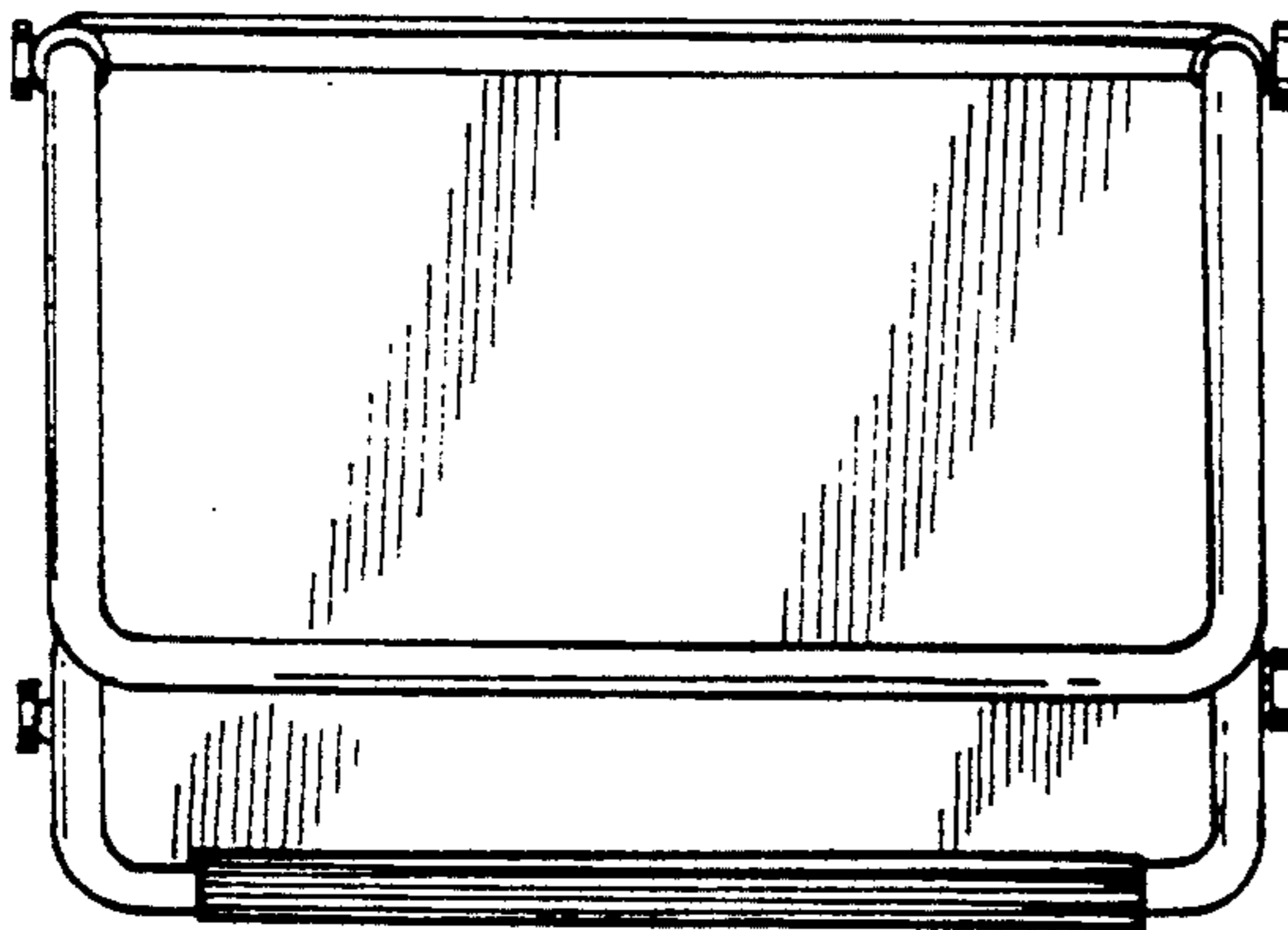


Fig. 5

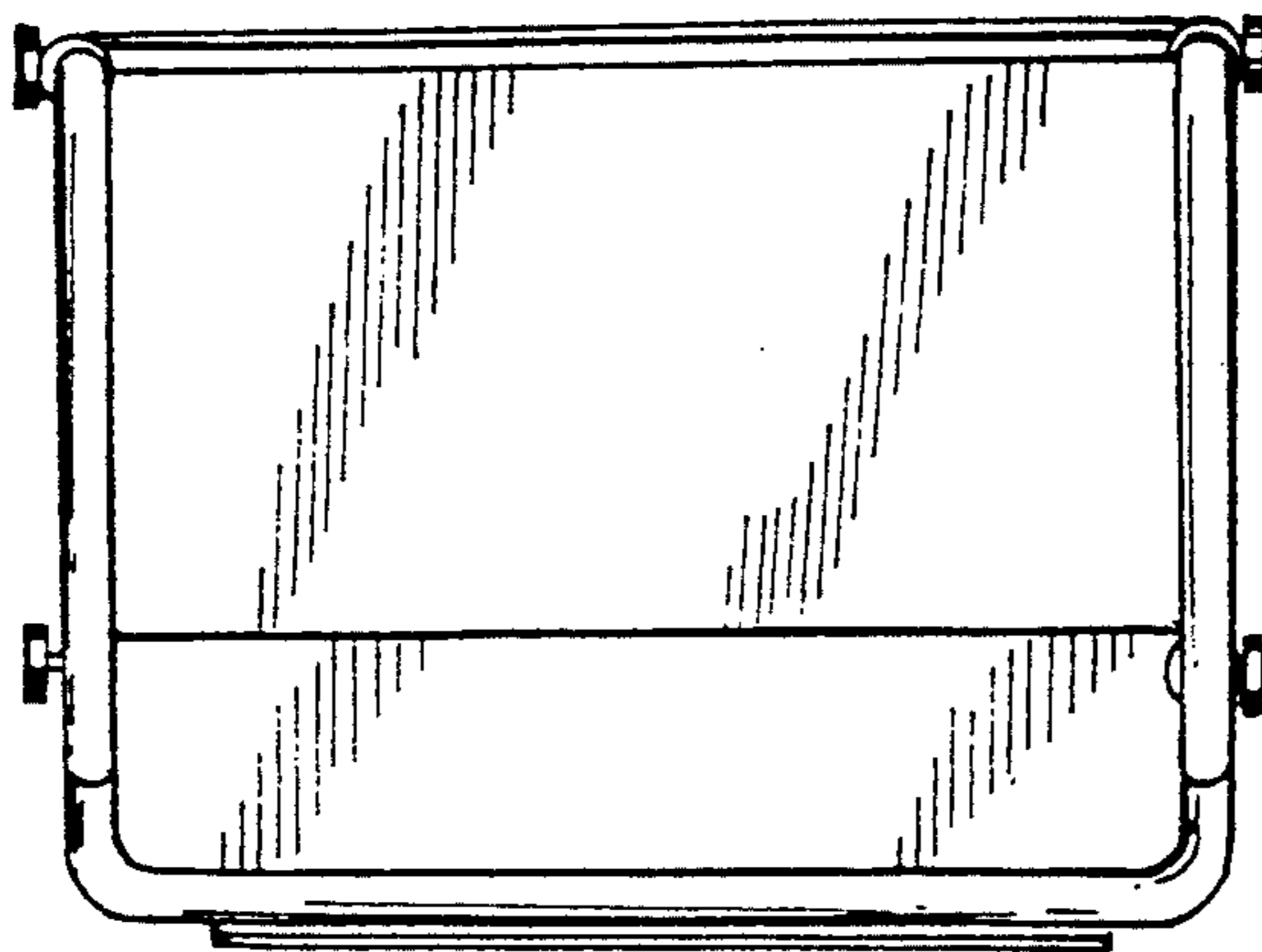


Fig. 6