



US00D345266S

United States Patent [19]

[11] Patent Number: **Des. 345,266**

Koguma

[45] Date of Patent: **** Mar. 22, 1994**

[54] **DESK**

[75] Inventor: **Seiji Koguma, Warabi, Japan**

[73] Assignee: **Okamura Corporation, Yokohama, Japan**

[*] Notice: The portion of the term of this patent subsequent to Jun. 15, 2007 has been disclaimed.

[**] Term: **14 Years**

[21] Appl. No.: **438,152**

[22] Filed: **Nov. 16, 1989**

[30] Foreign Application Priority Data

Sep. 1, 1989 [JP] Japan 1-31691

[52] U.S. Cl. **D6/422**

[58] Field of Search D6/396, 407, 422, 429, D6/432, 440; 211/126; 312/194, 195, 258; 108/27, 50; 217/5, 56, 59

[56] References Cited

U.S. PATENT DOCUMENTS

D. 223,372	4/1972	Allen	D6/422
D. 303,882	10/1989	Sottsas et al.	D6/422
D. 311,833	11/1990	Newhouse	D6/429 X
D. 312,541	12/1990	Wright	D6/422 X
4,101,183	7/1978	McManus	312/195
4,830,440	5/1989	Burch	312/195 X

FOREIGN PATENT DOCUMENTS

58535	8/1982	European Pat. Off.	312/194
546814	10/1980	Japan	.	
593169	10/1982	Japan	.	
683606	4/1986	Japan	.	
688769	6/1986	Japan	.	
763351	2/1989	Japan	.	

OTHER PUBLICATIONS

#83 Office Systems, Furniture Collections and Objects, p. 52, "Mini-Module" desk, left side of page.

Primary Examiner—Nelson C. Holtje

Assistant Examiner—Monica A. Hannon

Attorney, Agent, or Firm—Lackenbach Siegel Marzullo Aronson & Greenspan

[57] CLAIM

The ornamental design for a desk, as shown.

DESCRIPTION

FIG. 1 is a front elevational view of a desk showing my new design;

FIG. 2 is a top plan view thereof;

FIG. 3 is a rear elevational view thereof;

FIG. 4 is a bottom plan view thereof;

FIG. 5 is a left side elevational view thereof;

FIG. 6 is a right side elevational view thereof; and,

FIG. 7 is a front perspective view thereof.

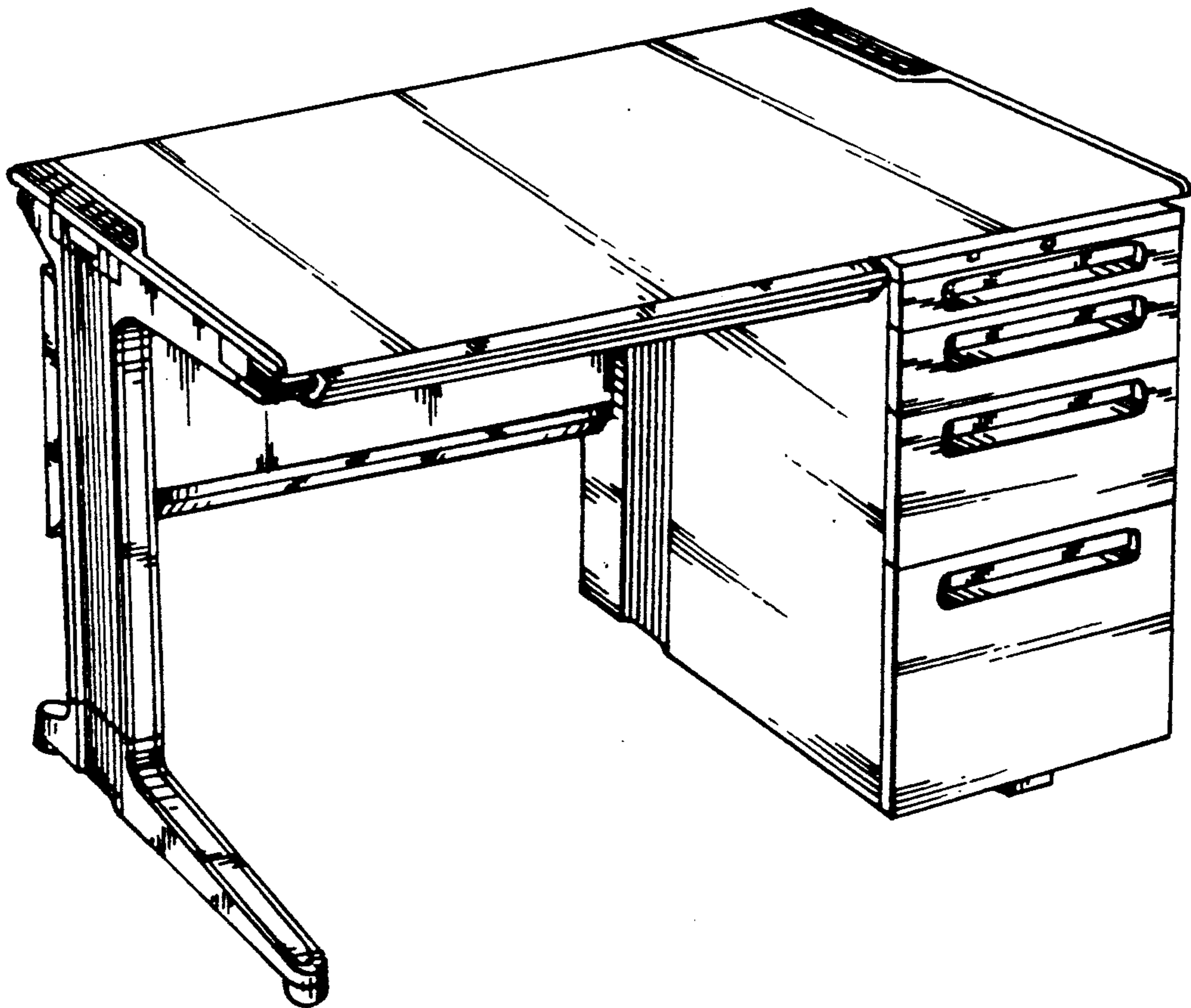


FIG. 1

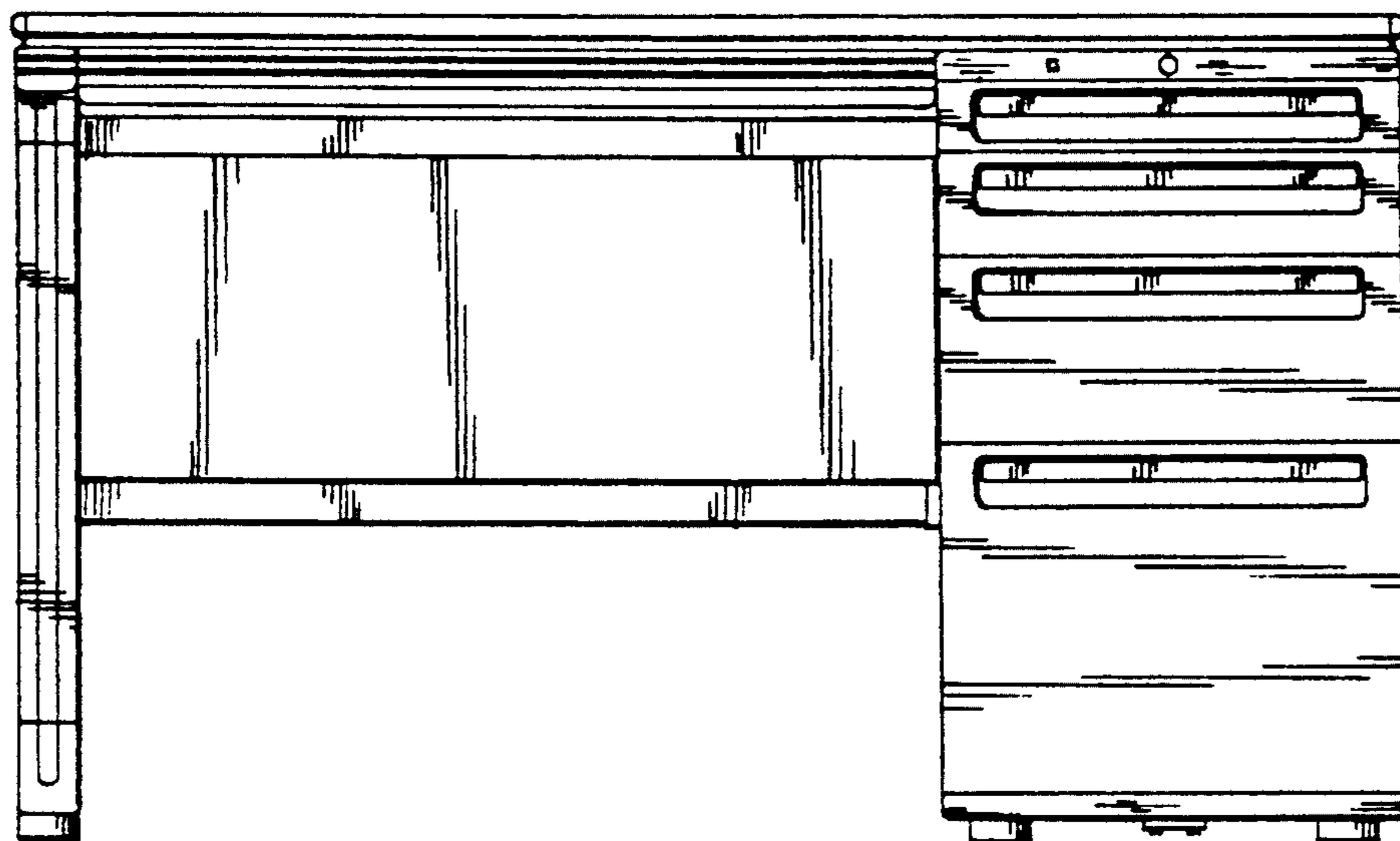


FIG. 2

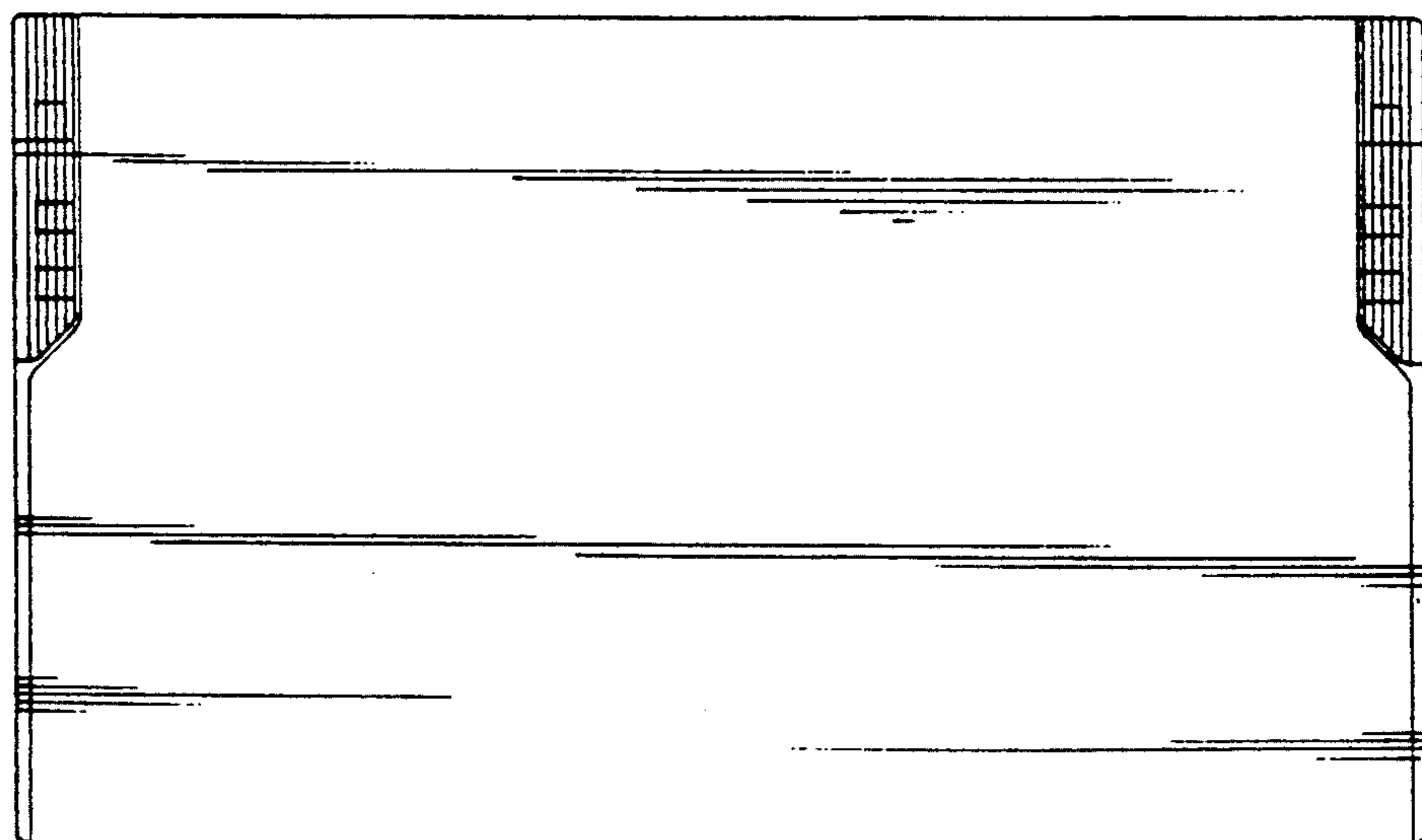


FIG. 3

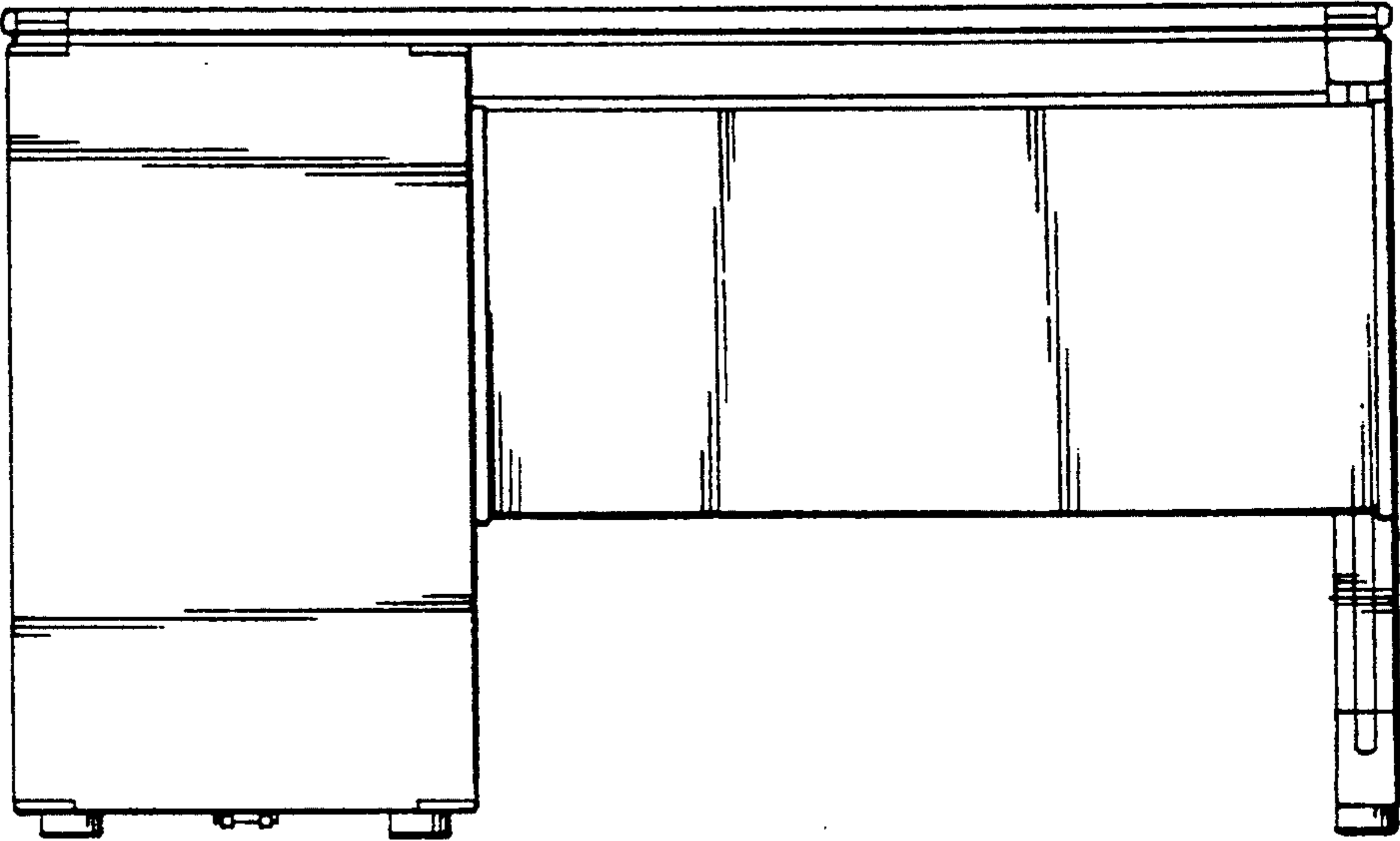


FIG. 4

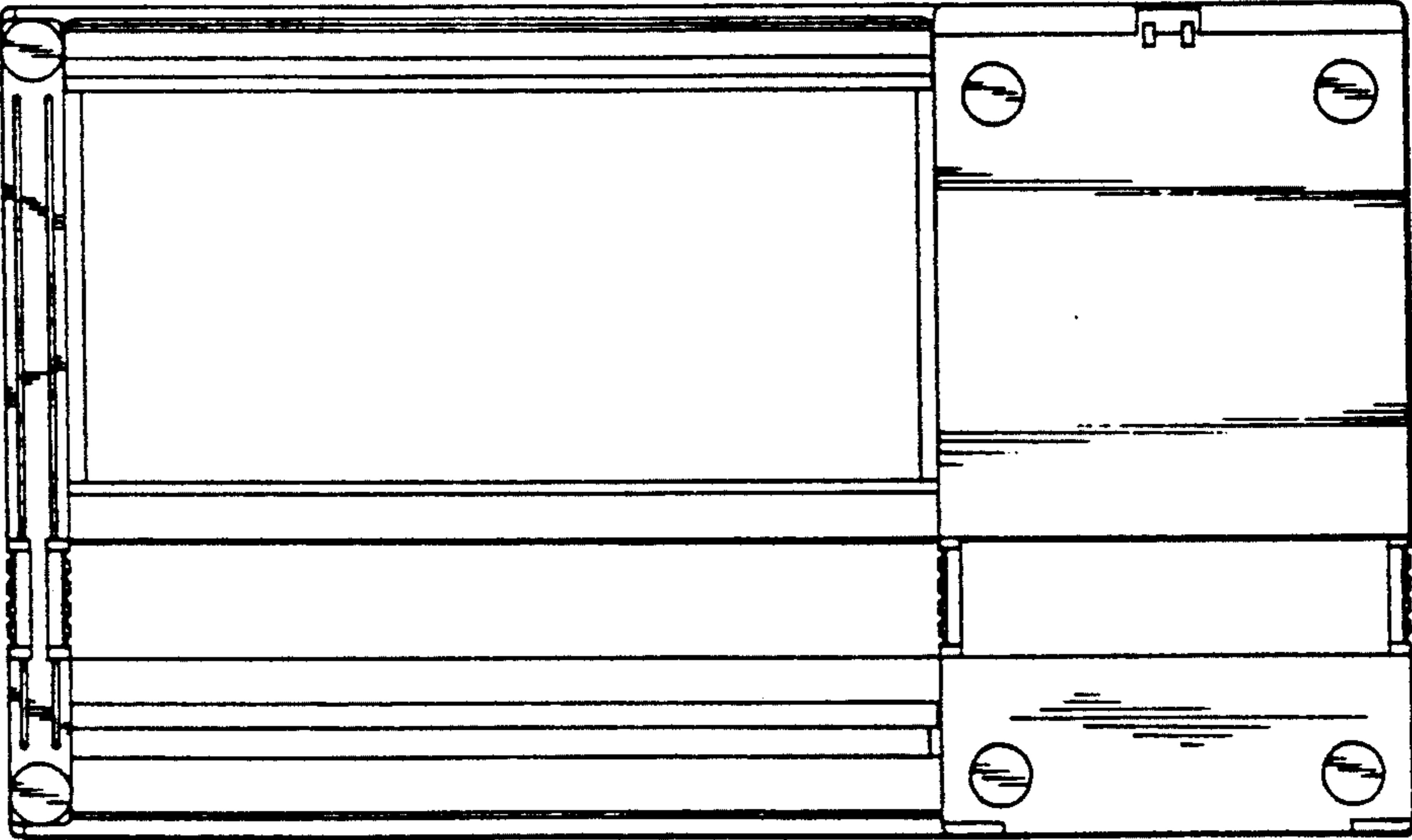


FIG. 5

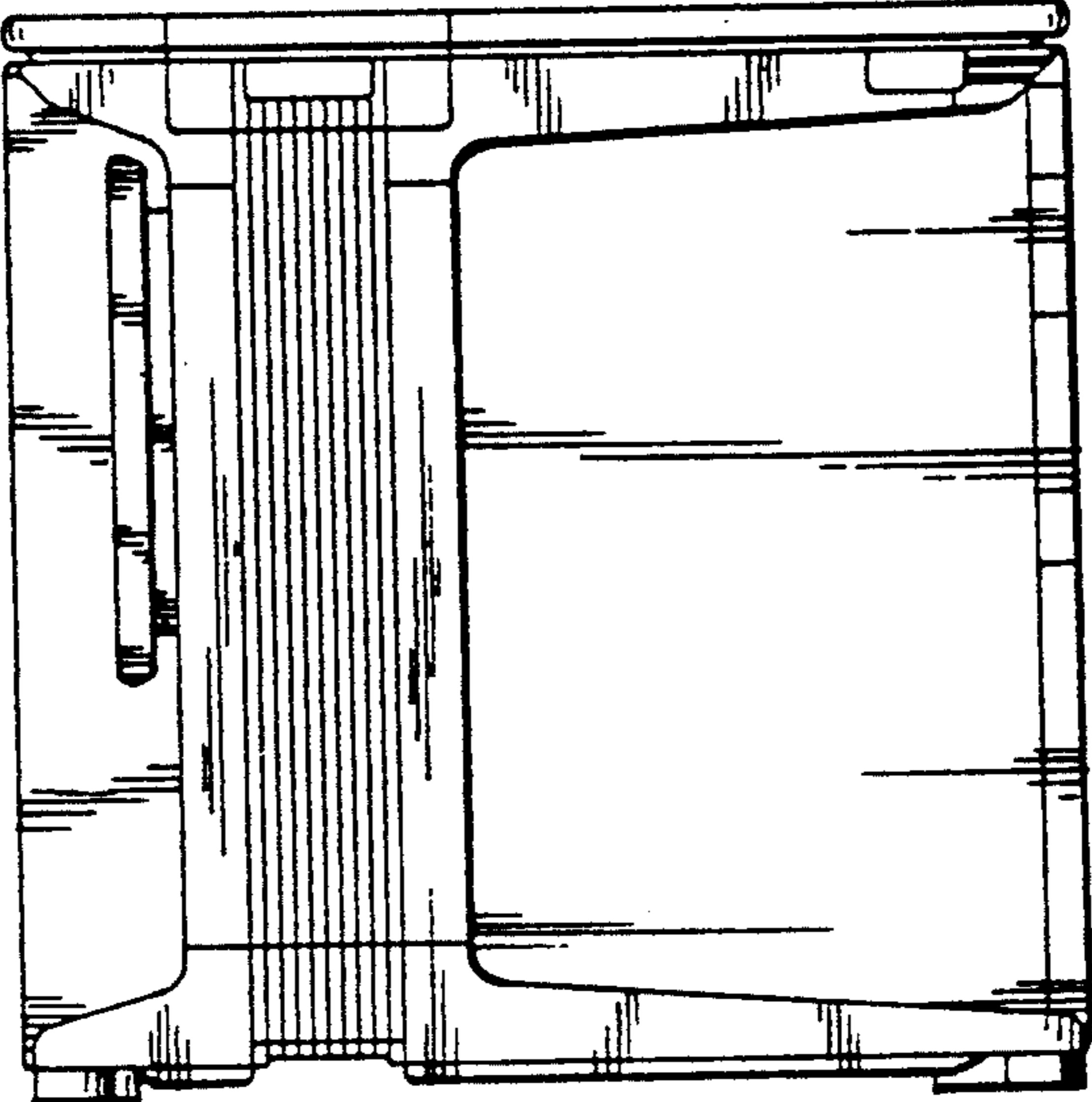
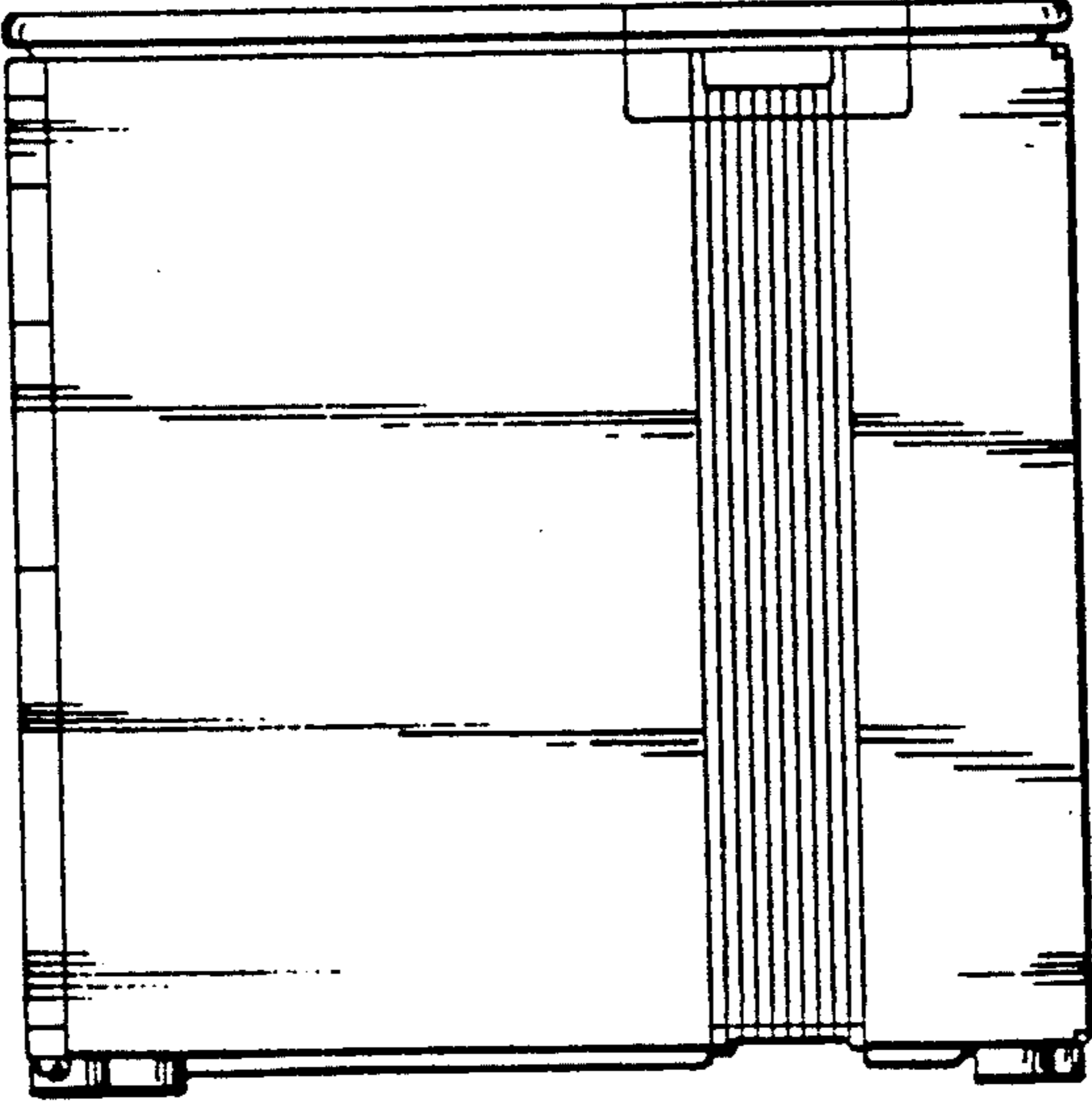


FIG. 6



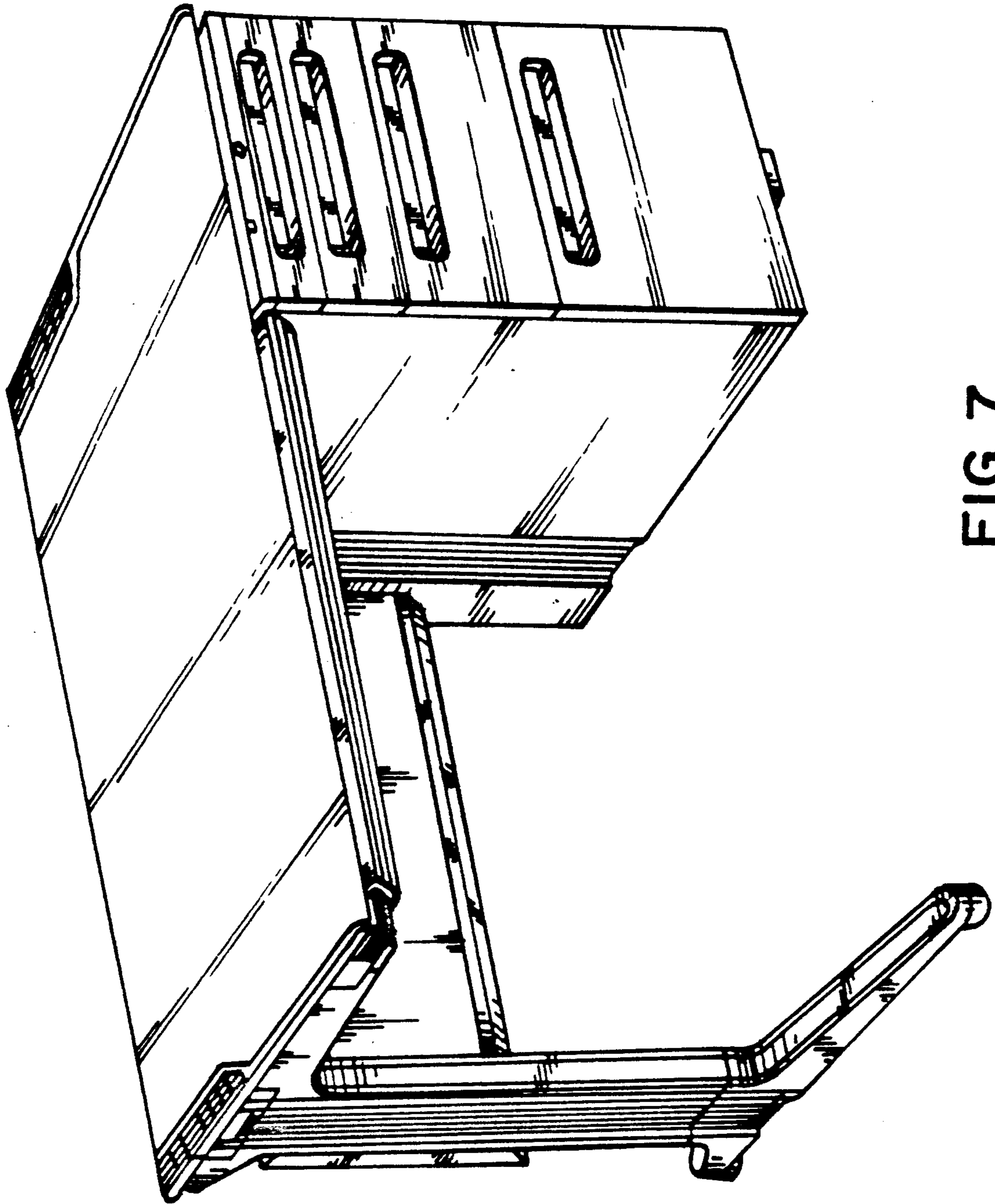


FIG. 7