



US00D345262S

**United States Patent** [19]  
**Caldwell**

[11] **Patent Number: Des. 345,262**

[45] **Date of Patent: \*\* Mar. 22, 1994**

[54] **CHAIR**

[76] **Inventor: John Caldwell, 1829 Warwick Rd., San Marino, Calif. 91108**

[\*\*] **Term: 14 Years**

[21] **Appl. No.: 705,165**

[22] **Filed: May 23, 1991**

[52] **U.S. Cl. .... D6/376; D6/379**

[58] **Field of Search ..... D6/334, 369, 370, 374, D6/376, 379, 380, 500, 501, 502; 297/420**

[56] **References Cited**

**U.S. PATENT DOCUMENTS**

- D. 141,647 6/1945 Bannister ..... D6/369
- D. 316,338 4/1991 Frnier ..... D6/380
- D. 316,491 4/1991 Frnier ..... D6/376 X

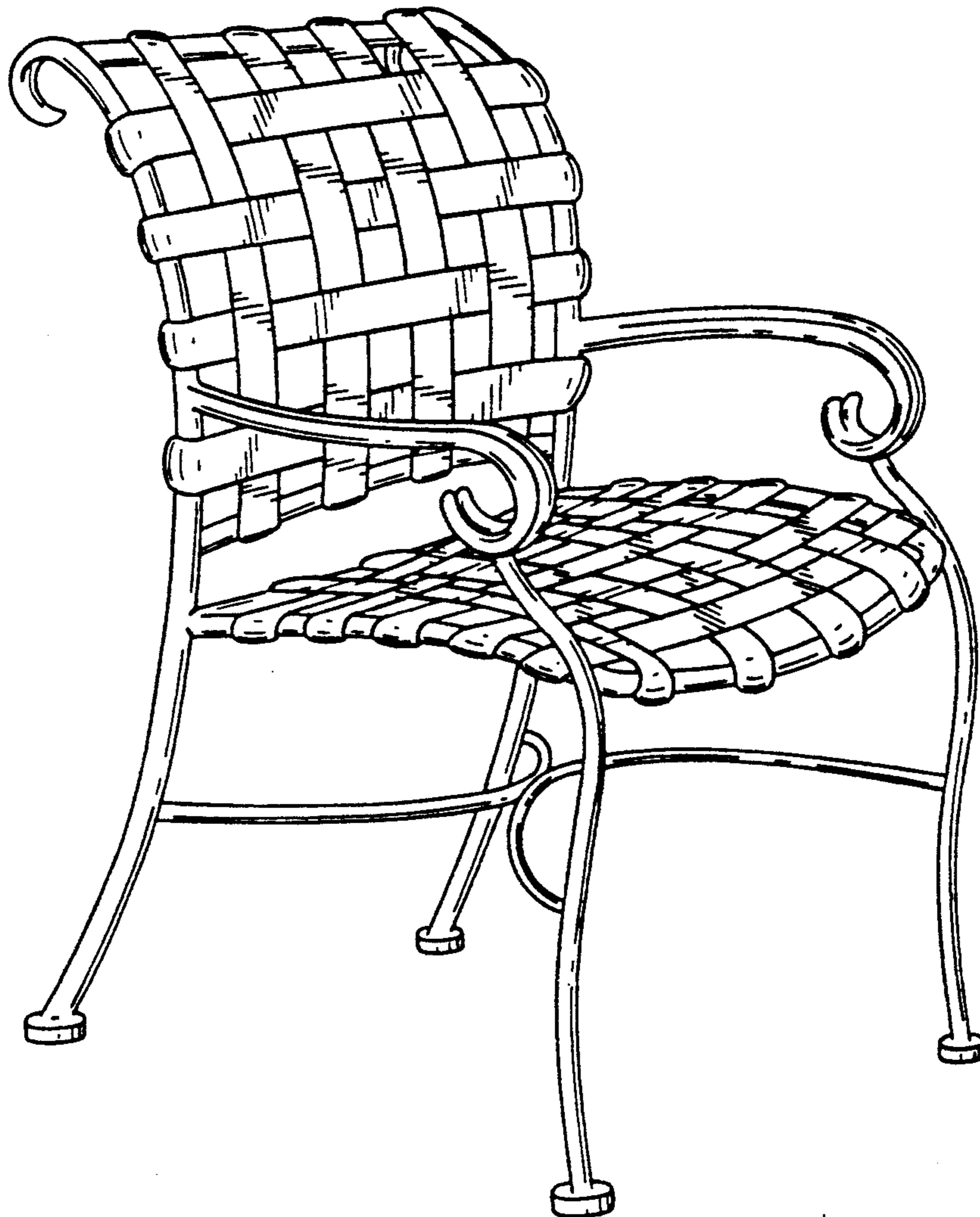
*Primary Examiner*—Alan P. Douglas  
*Assistant Examiner*—Gary D. Watson  
*Attorney, Agent, or Firm*—Donald D. Mon

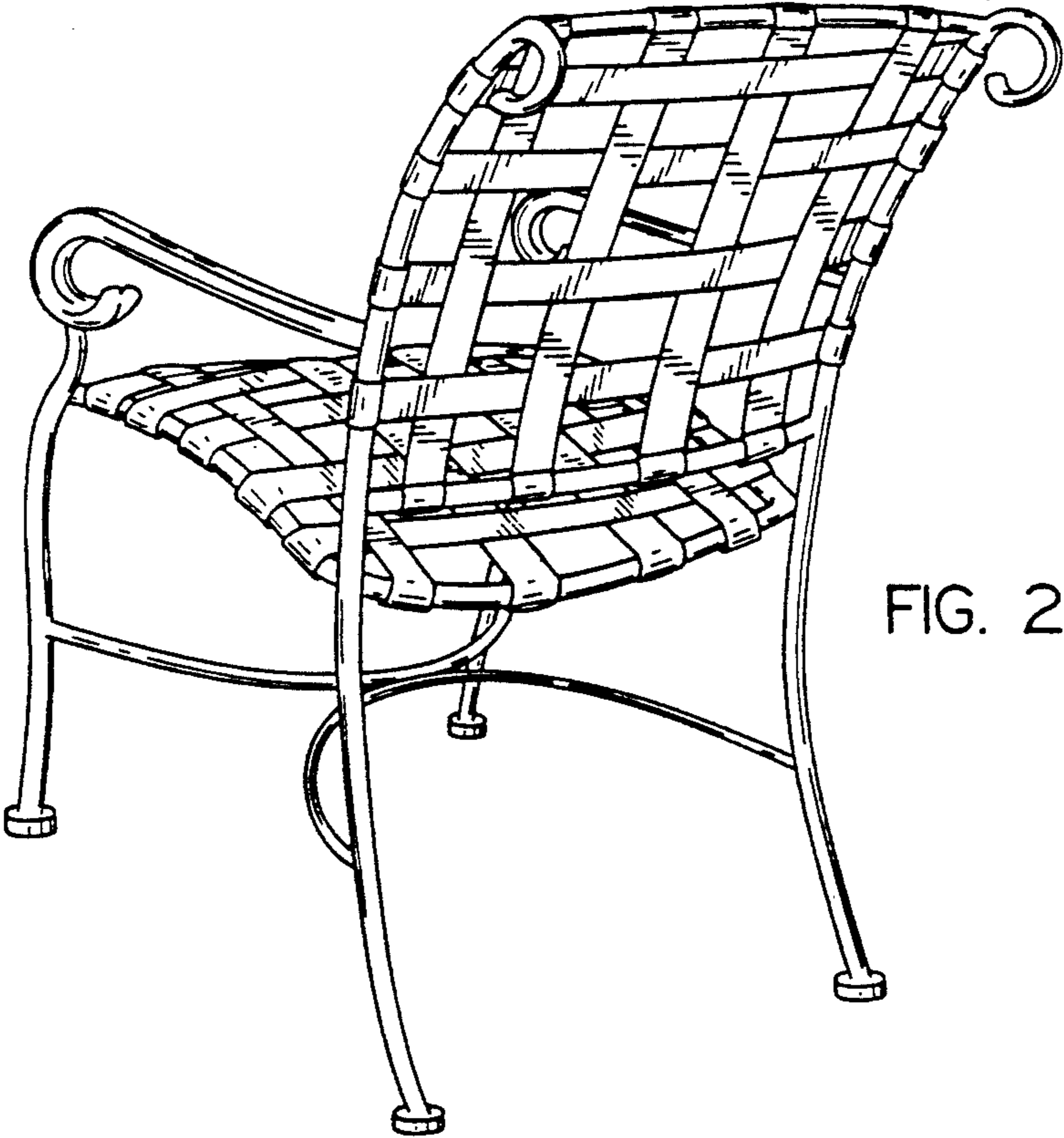
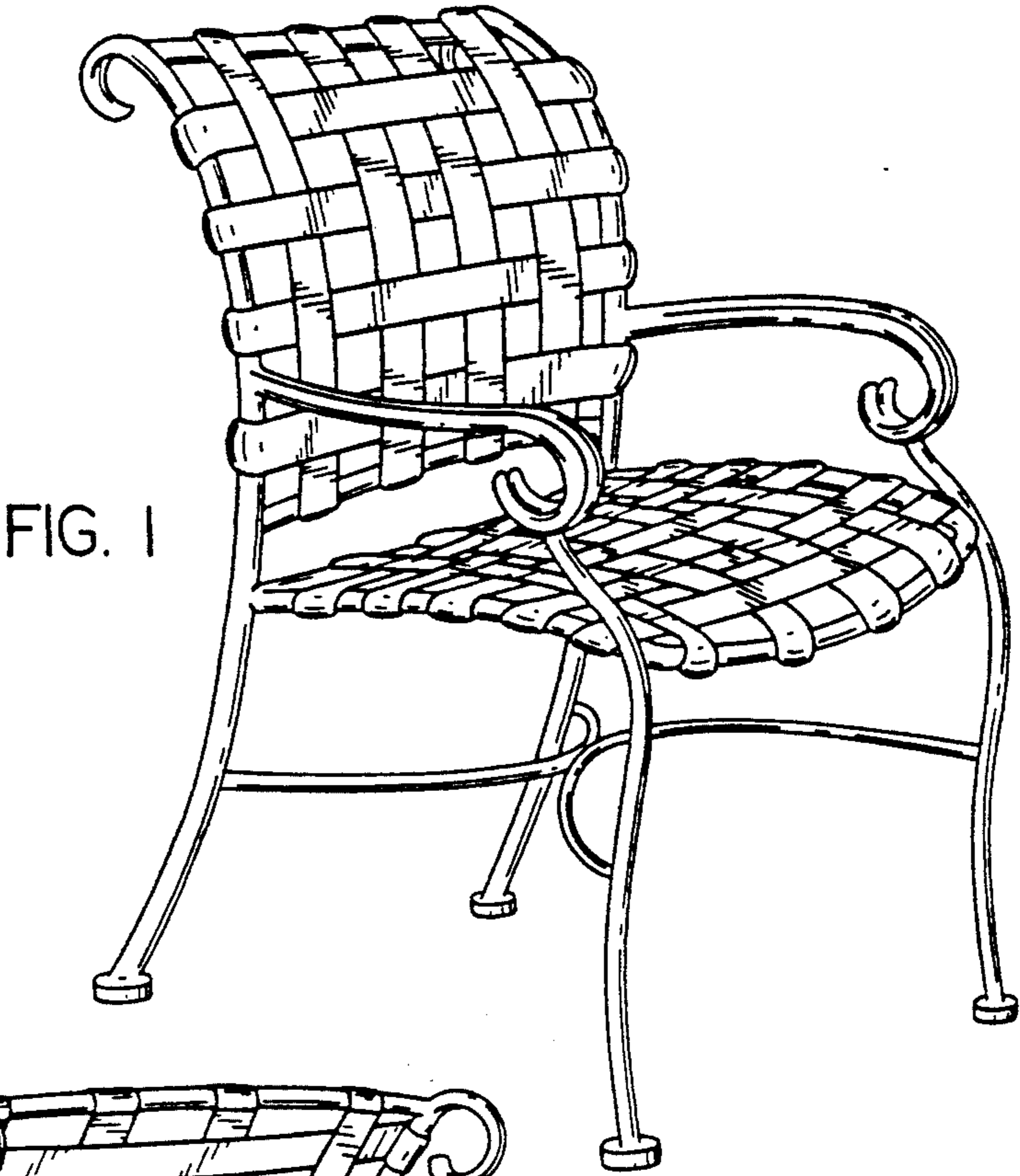
[57] **CLAIM**

The ornamental design for a chair, as shown and described.

**DESCRIPTION**

FIG. 1 is a front perspective view of the presently-preferred chair according to this invention; FIG. 2 is a rear perspective view of the chair of FIG. 1; FIG. 3 is a front elevation of the chair of FIG. 1; FIG. 4 is a rear elevation of the chair of FIG. 1; FIG. 5 is a left side view of FIG. 3, the right side view being its mirror image; and, FIG. 6 is a top view of FIG. 1.





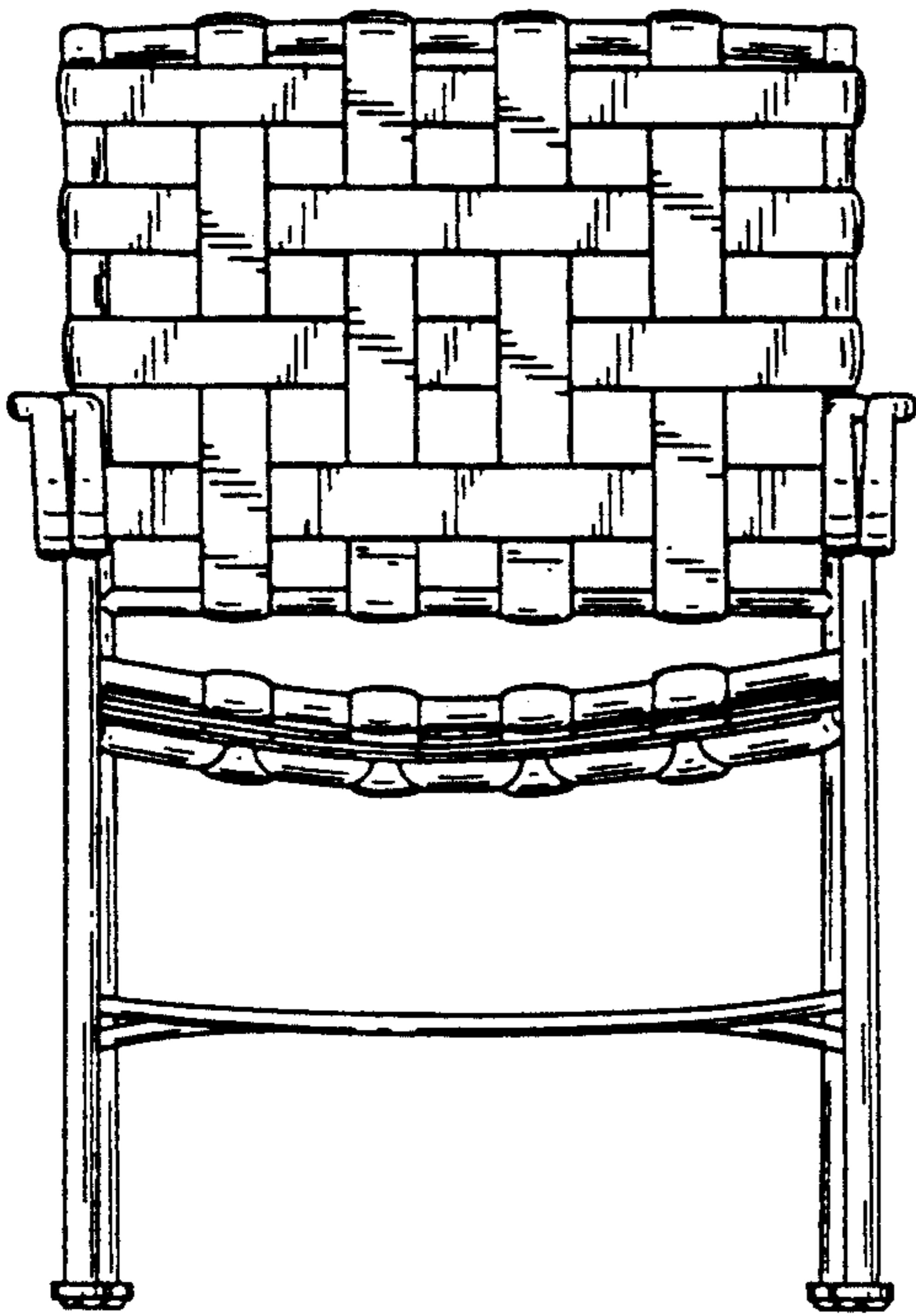


FIG. 3

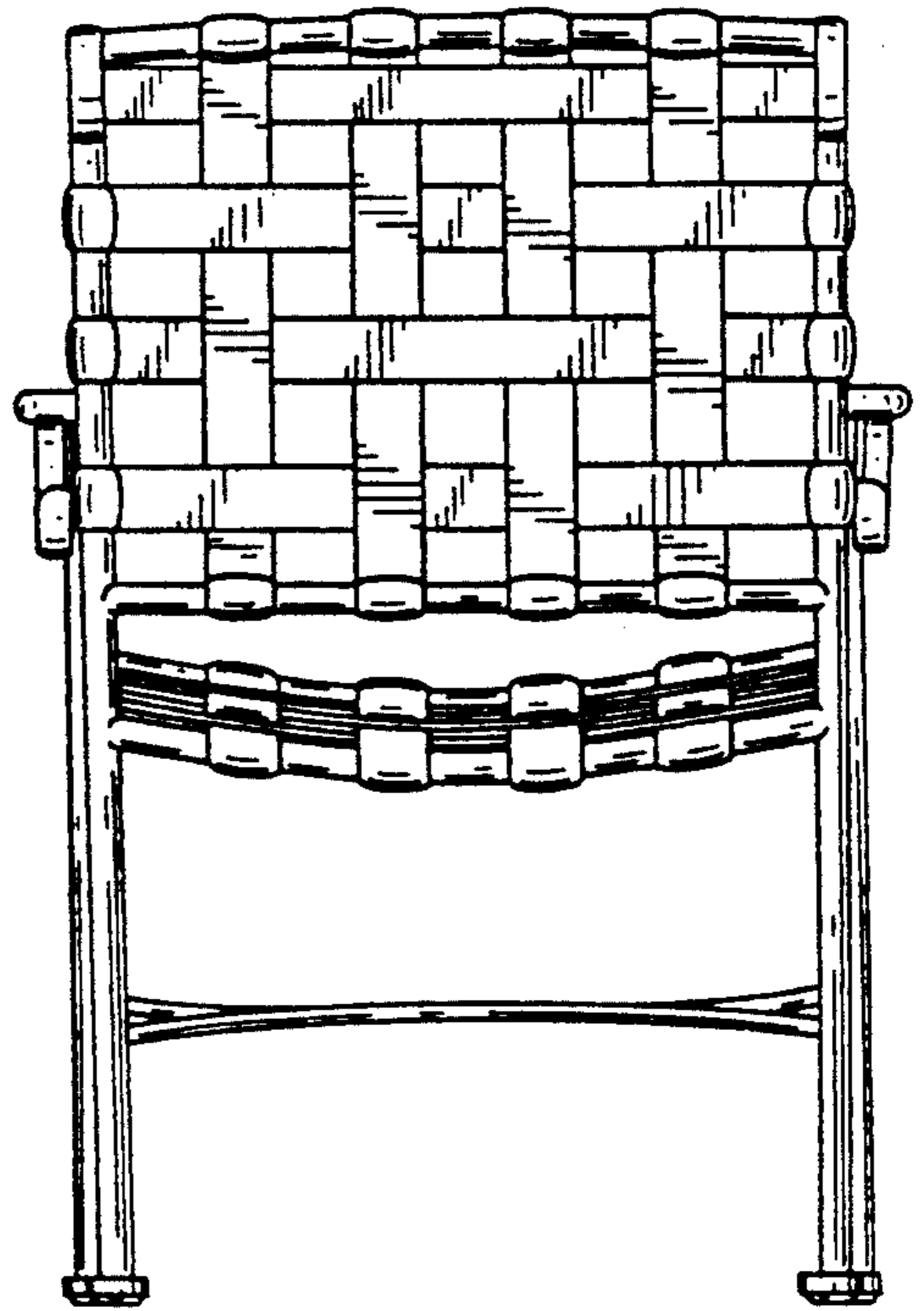


FIG. 4

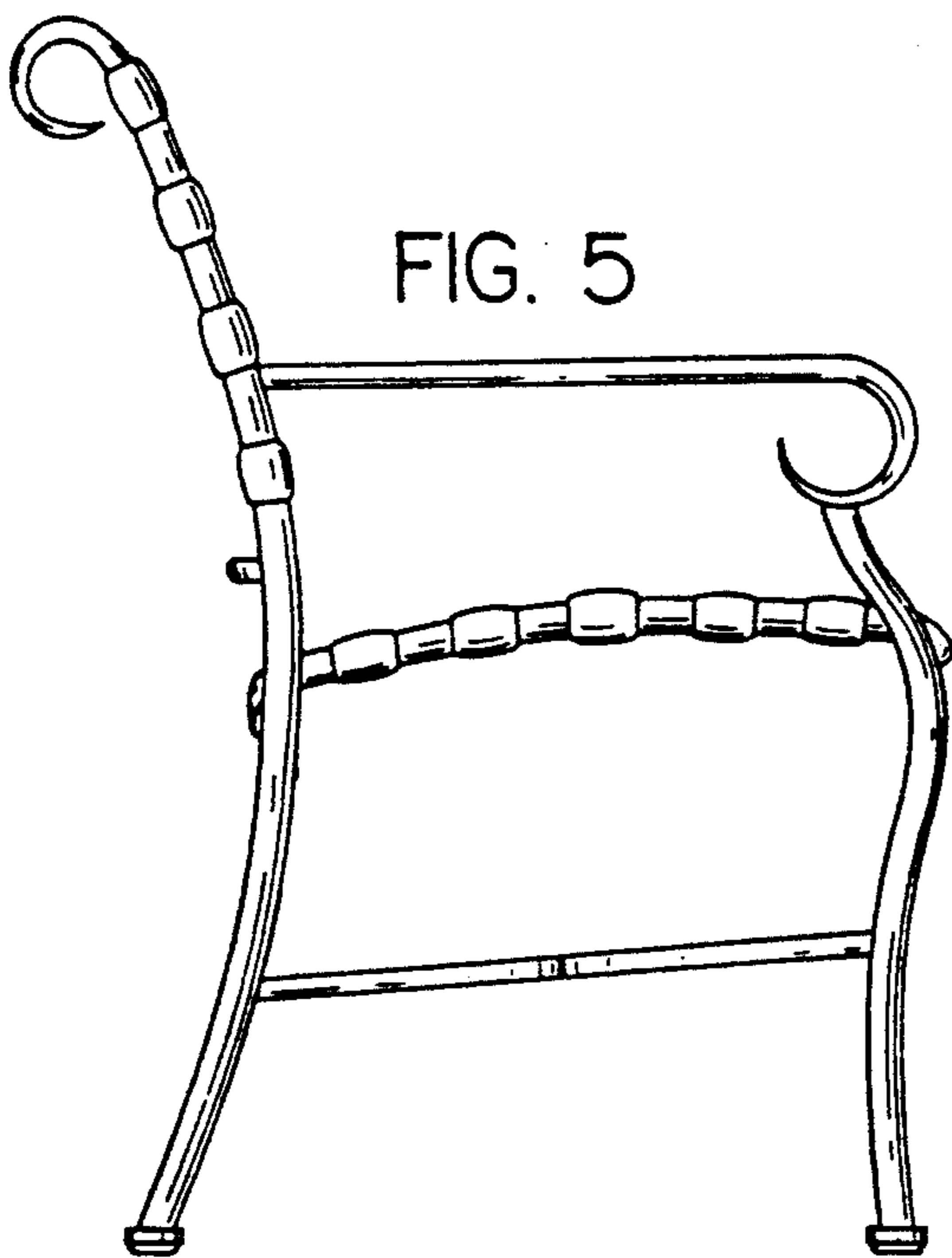


FIG. 5

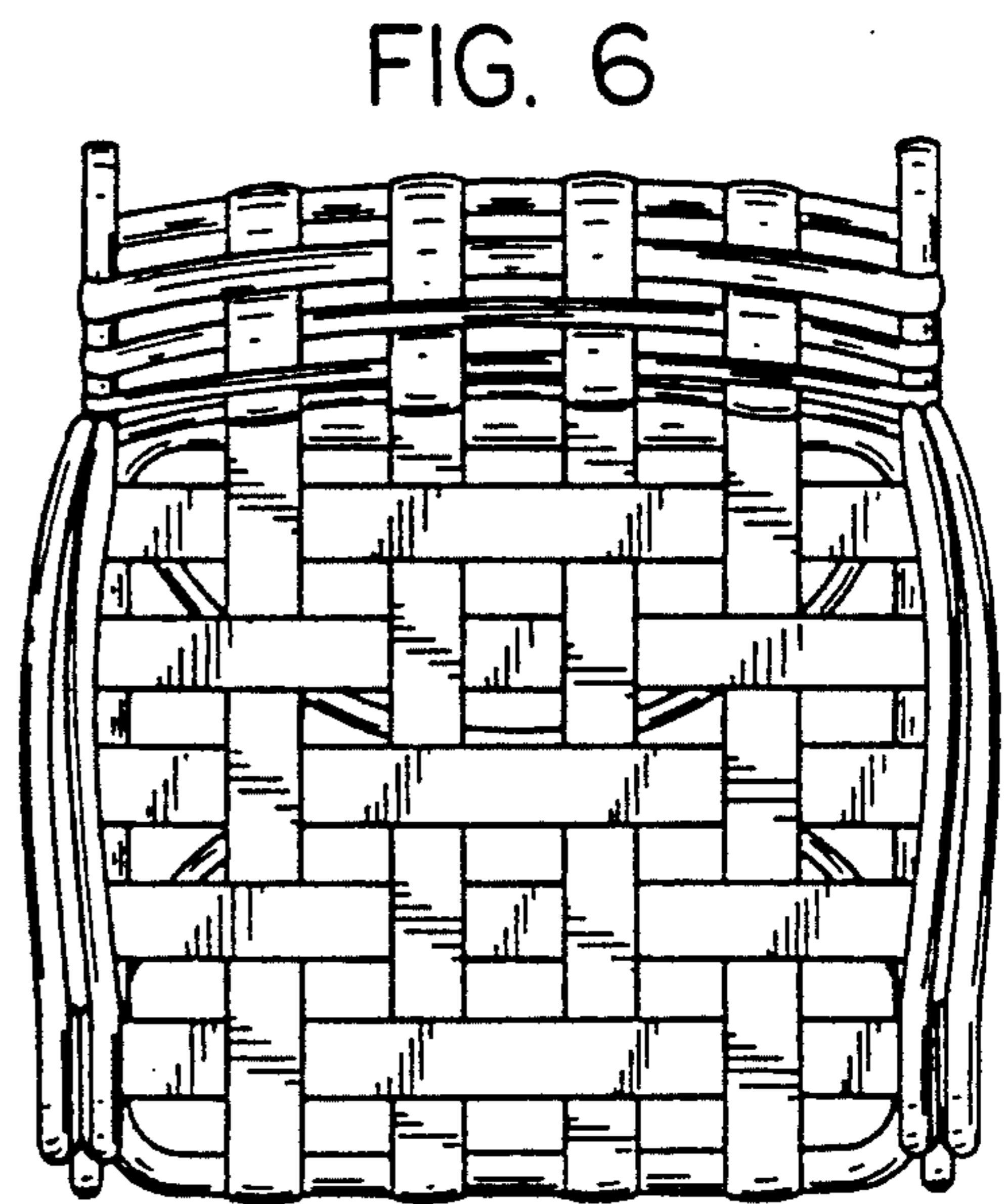


FIG. 6