



US00D345254S

United States Patent [19]

[11] Patent Number: **Des. 345,254**

Bodden

[45] Date of Patent: **** Mar. 22, 1994**

[54] **HAND BAG**

2,769,475	11/1956	Fisher	190/115
2,771,112	11/1956	Ingram	150/101
3,117,607	1/1964	Siegel	150/117
3,830,348	8/1974	Ohyama	D3/48 X

[75] Inventor: **Ruth F. Bodden, Cliffside Park, N.J.**

[73] Assignee: **Kangaroos, Inc., Fort Lee, N.J.**

[**] Term: **14 Years**

FOREIGN PATENT DOCUMENTS

907205	3/1946	France	150/107
--------	--------	--------	---------

[21] Appl. No.: **926,865**

[22] Filed: **Sep. 10, 1992**

[52] U.S. Cl. **D3/246; D3/243; D3/252**

Primary Examiner—**Louis S. Zarfes**
Attorney, Agent, or Firm—**Fiddler, Levine & Mandelbaum**

[58] Field of Search **D3/41-60, D3/71; 150/100-107, 118; 190/100, 115; 383/41, 43, 65, 66, 105**

[57] CLAIM

The ornamental design for a hand bag, as shown and described.

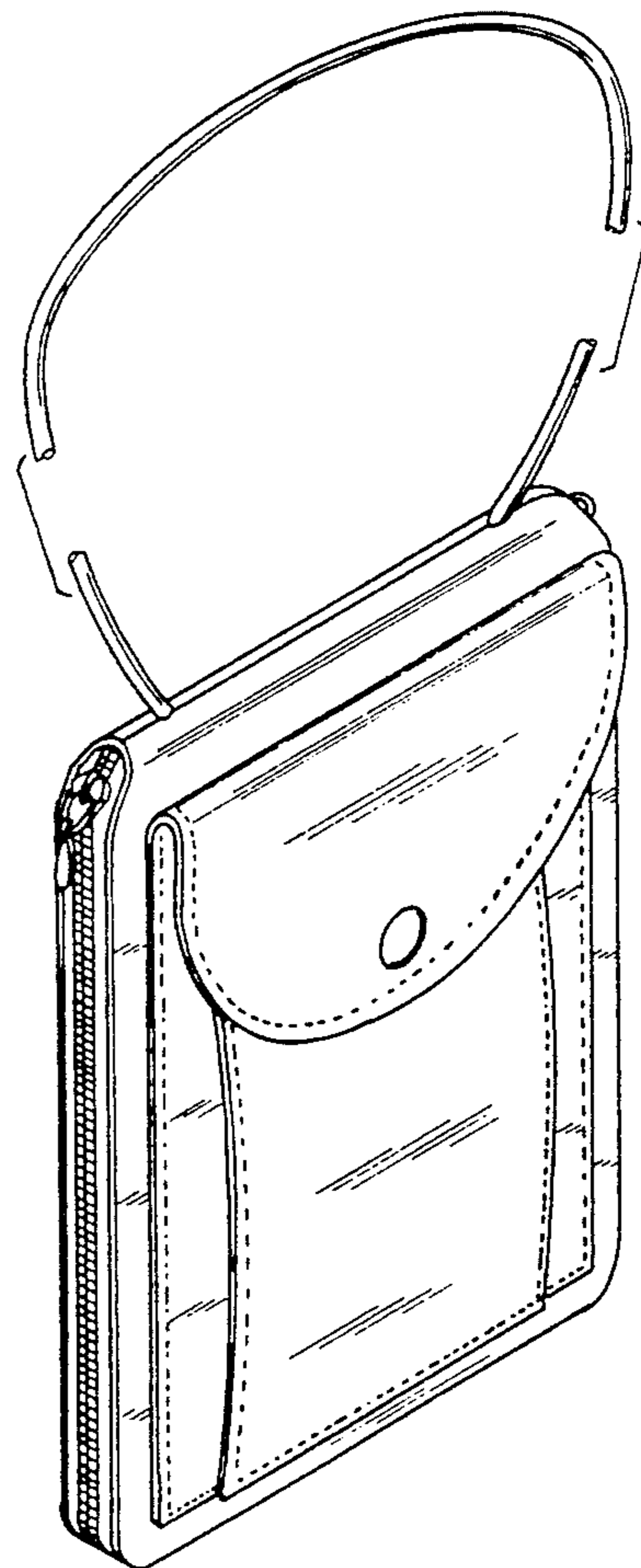
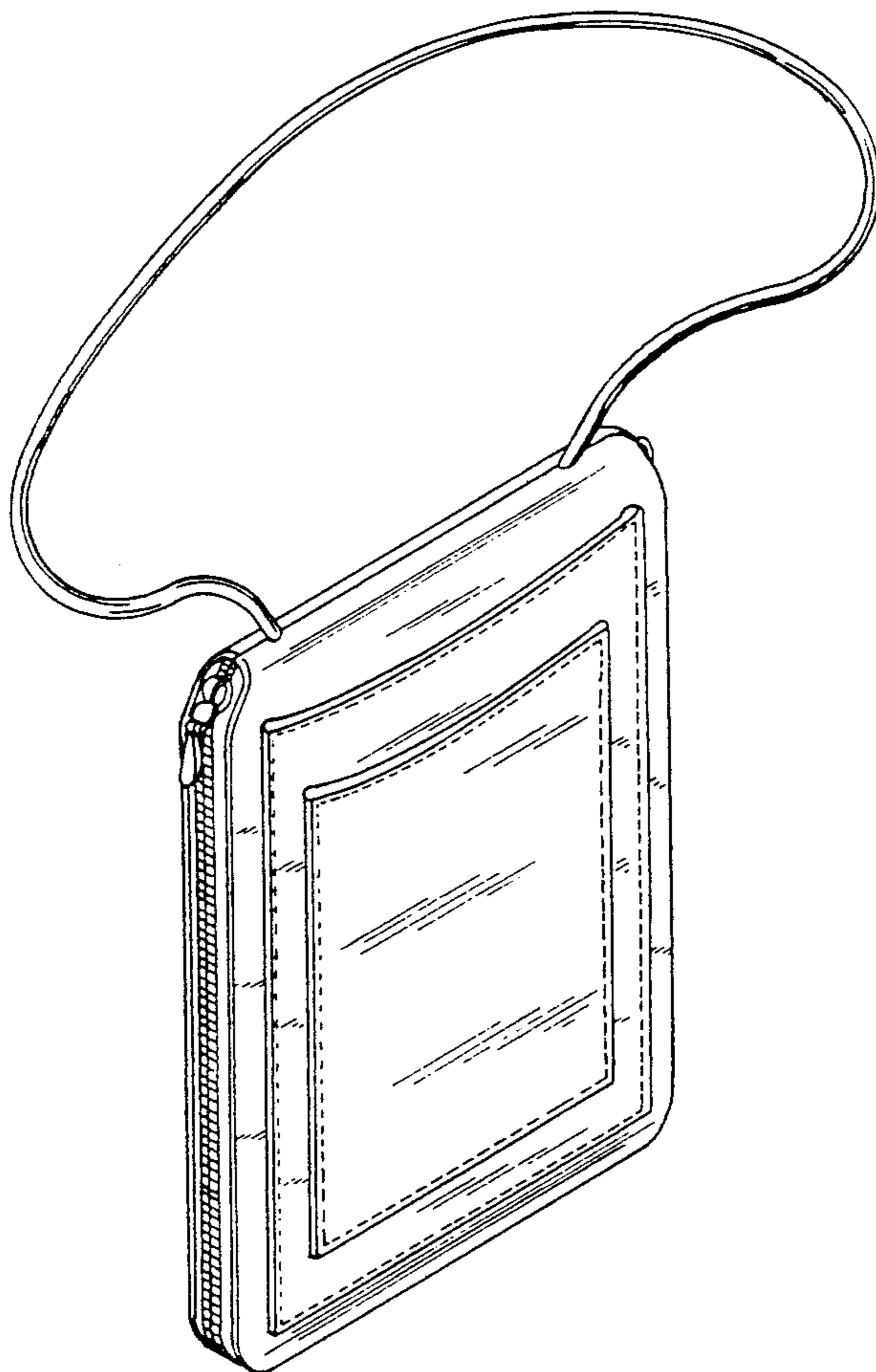
[56] References Cited

U.S. PATENT DOCUMENTS

D. 89,545	3/1933	Jahncke	D3/44
D. 94,542	2/1935	Foss	D3/53
D. 121,159	6/1940	Egerer	D3/53
D. 135,530	4/1943	Rubin	D3/53
D. 240,468	7/1976	Ainslie	D3/48 X
D. 292,843	11/1987	Frezza	D3/48 X
D. 320,306	10/1991	Schwartz	D3/53
1,318,652	10/1919	Farkas	383/66
2,470,367	5/1949	Palma	383/66

DESCRIPTION

FIG. 1 is a perspective view from the front, top, and left side of a hand bag showing my new design, part of the elongated strap being broken away;
FIG. 2 is a perspective view thereof from the rear, bottom and right side;
FIG. 3 is a perspective view from the front, top, and left side of an alternative embodiment thereof; and,
FIG. 4 is a perspective view of the alternative embodiment from the rear, bottom, and right side.



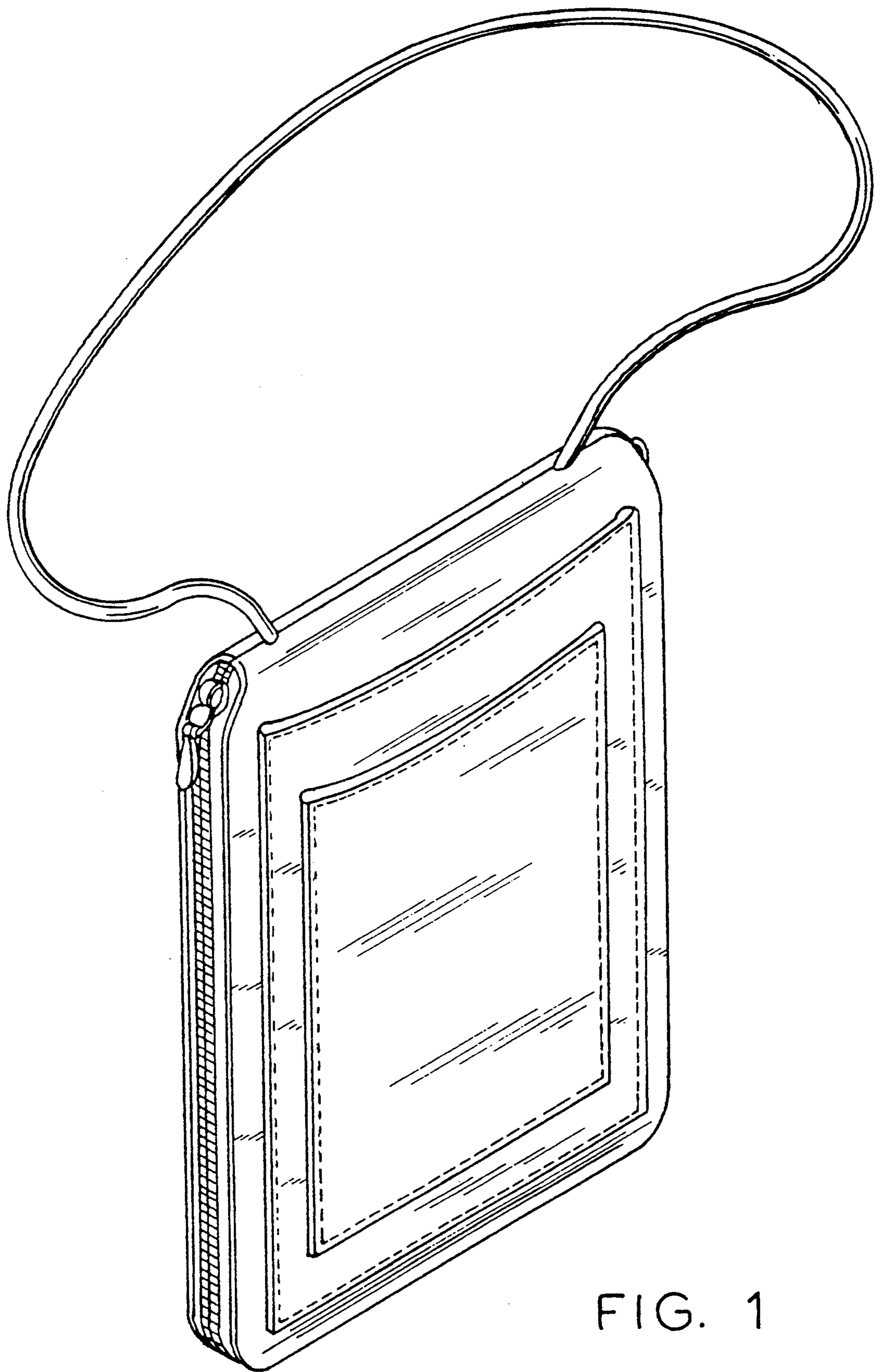


FIG. 1

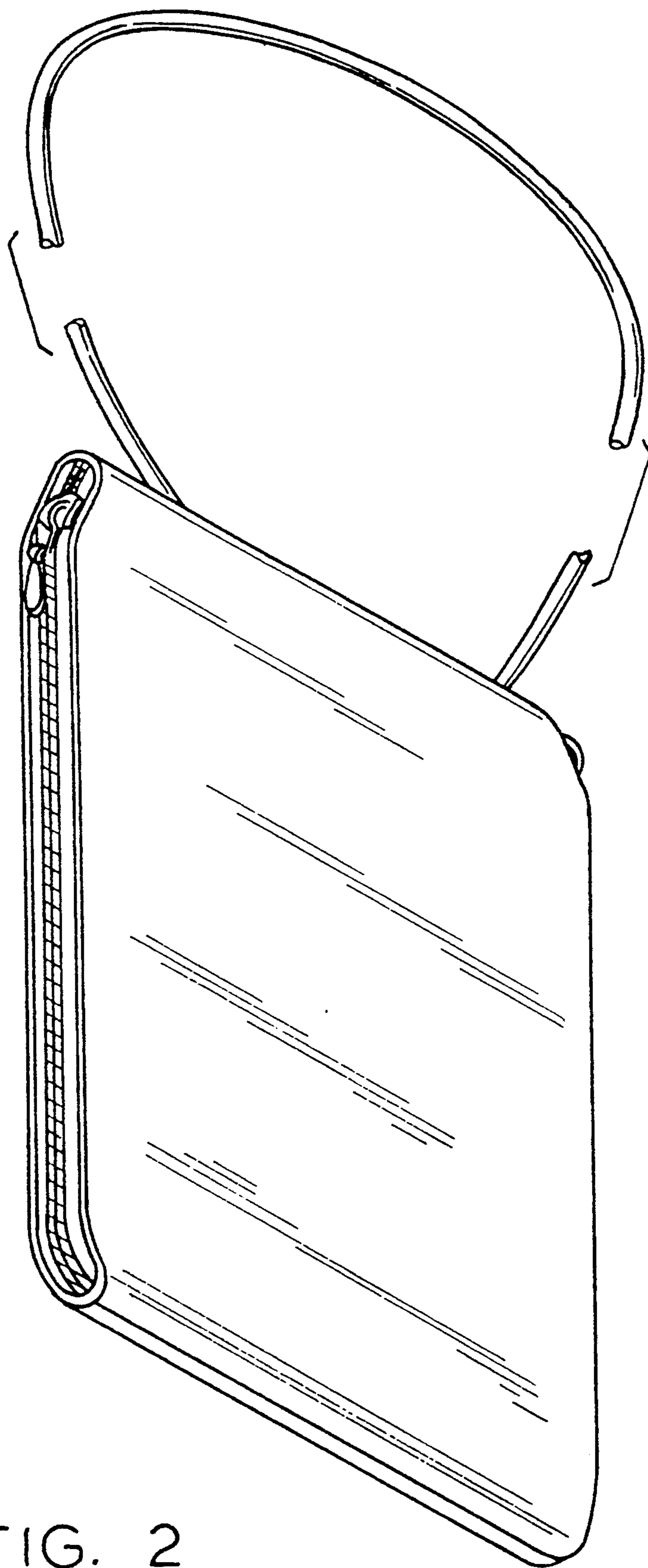


FIG. 2



FIG. 3

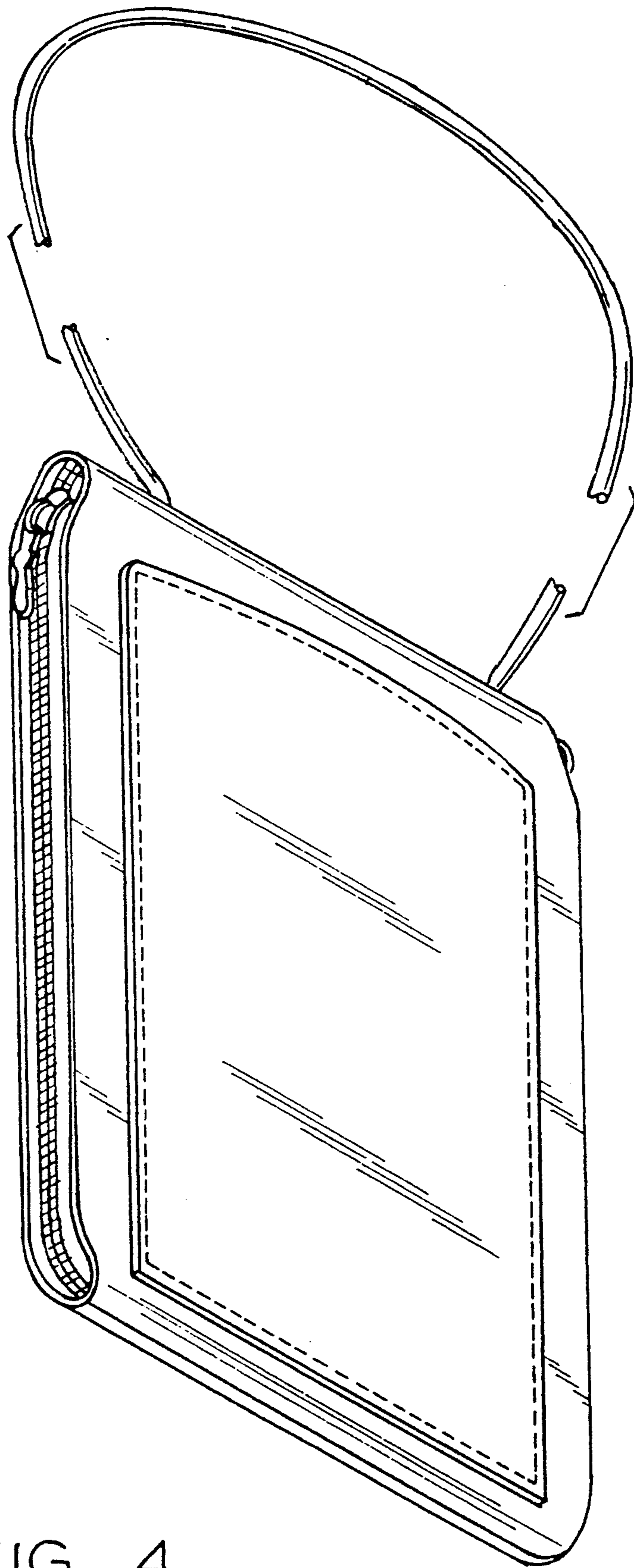


FIG. 4