



US00D345252S

# United States Patent [19]

[11] Patent Number: **Des. 345,252**

**Randall**

[45] Date of Patent: **\*\* Mar. 22, 1994**

[54] **LEG FASHION ACCESSORY**

3,329,143 7/1967 Gordon ..... D24/190 X  
3,338,237 8/1967 Sconce ..... D24/190 X

[76] Inventor: **Ruth A. Randall, 515 Lincoln St.,  
Monett, Mo. 65708**

*Primary Examiner*—Bernard Ansher  
*Assistant Examiner*—Paula Mortimer  
*Attorney, Agent, or Firm*—Richard C. Litman

[\*\*] Term: **14 Years**

[21] Appl. No.: **828,649**

[57] **CLAIM**

[22] Filed: **Jan. 31, 1992**

The ornamental design for a leg fashion accessory, as shown and described.

[52] U.S. Cl. .... **D2/901; D2/980**

[58] Field of Search ..... **D2/329, 334, 330, 333;  
602/60, 63, 76, 26, 62; 128/892; 2/242, 62;  
D24/189, 190; D29/20**

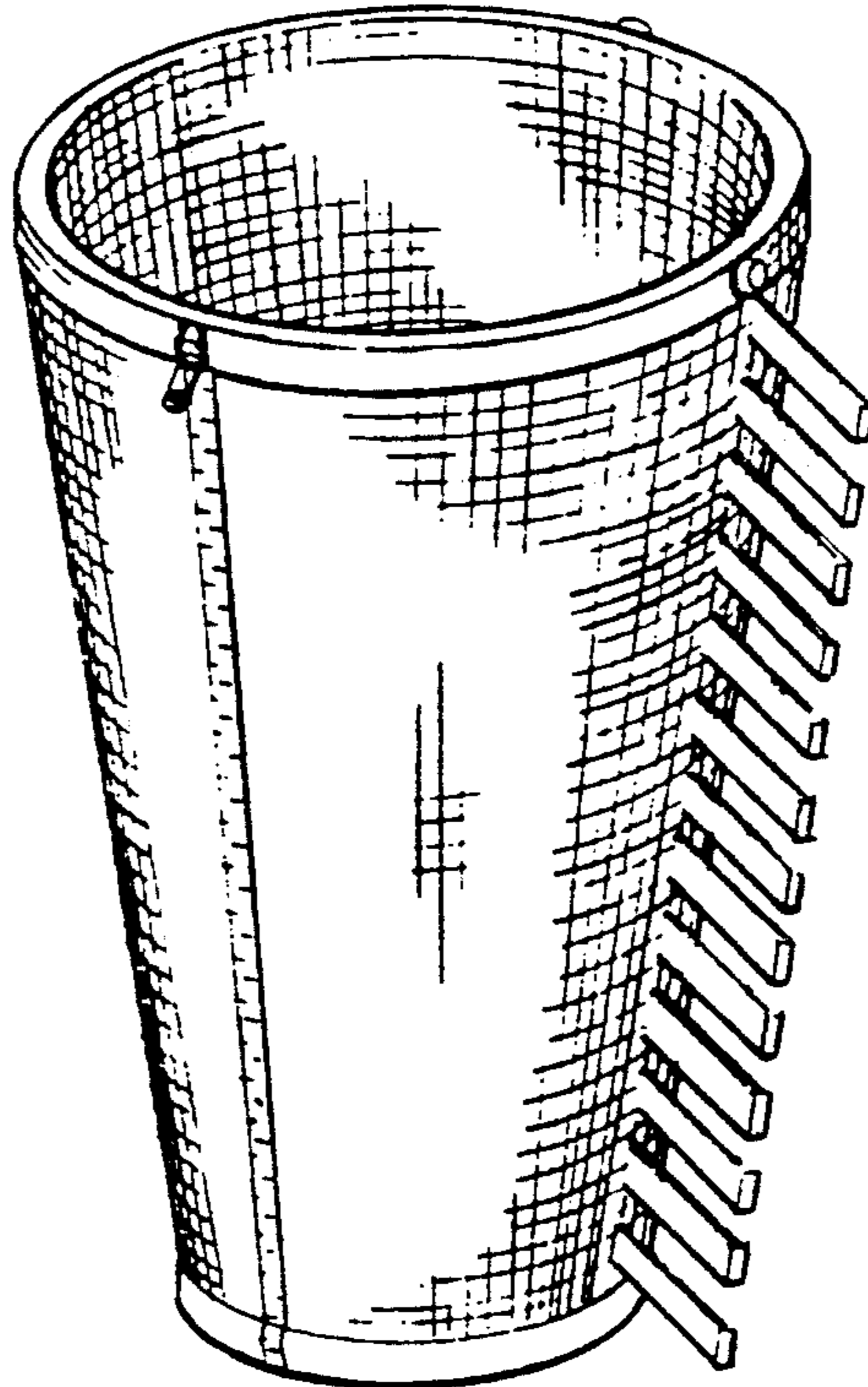
**DESCRIPTION**

[56] **References Cited**

**U.S. PATENT DOCUMENTS**

D. 184,298	1/1959	Barger .....	D2/334 X
1,258,052	3/1918	Stall .....	D2/329 X
1,722,918	7/1929	Hohein .	
2,117,974	5/1938	Moore .	
3,074,405	1/1963	Duensing .....	D24/190 X
3,306,288	2/1967	Rosenfield .....	602/60

FIG. 1 is a front elevational view of a leg fashion accessory showing my new design;  
FIG. 2 is a rear perspective view thereof;  
FIG. 3 is a bottom plan view thereof;  
FIG. 4 is a top plan view thereof;  
FIG. 5 is a front elevational view of the second embodiment of a leg fashion accessory showing my new design;  
FIG. 6 is a rear perspective view thereof;  
FIG. 7 is a bottom plan view thereof; and,  
FIG. 8 is a top plan view thereof.



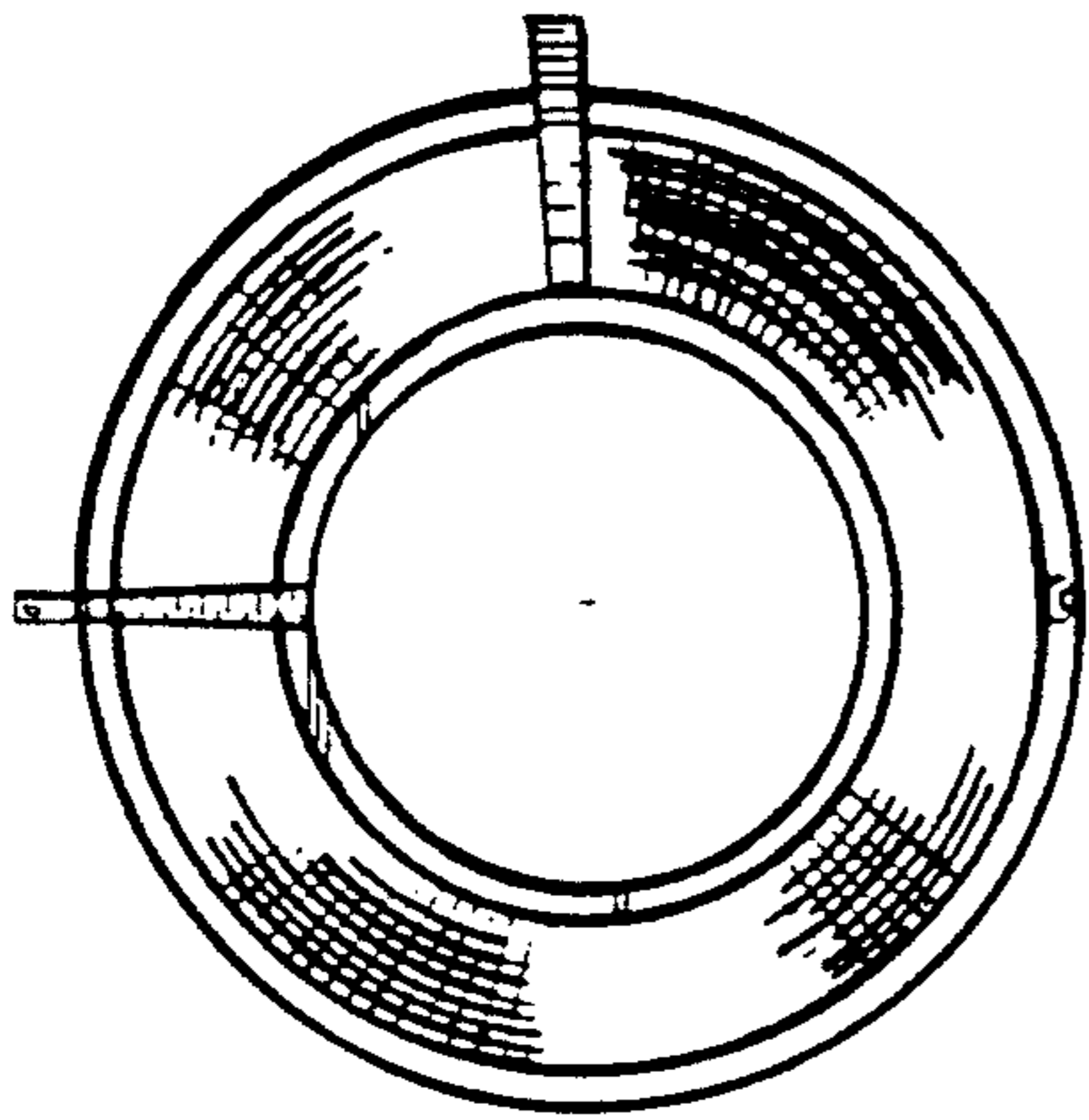


FIG. 3

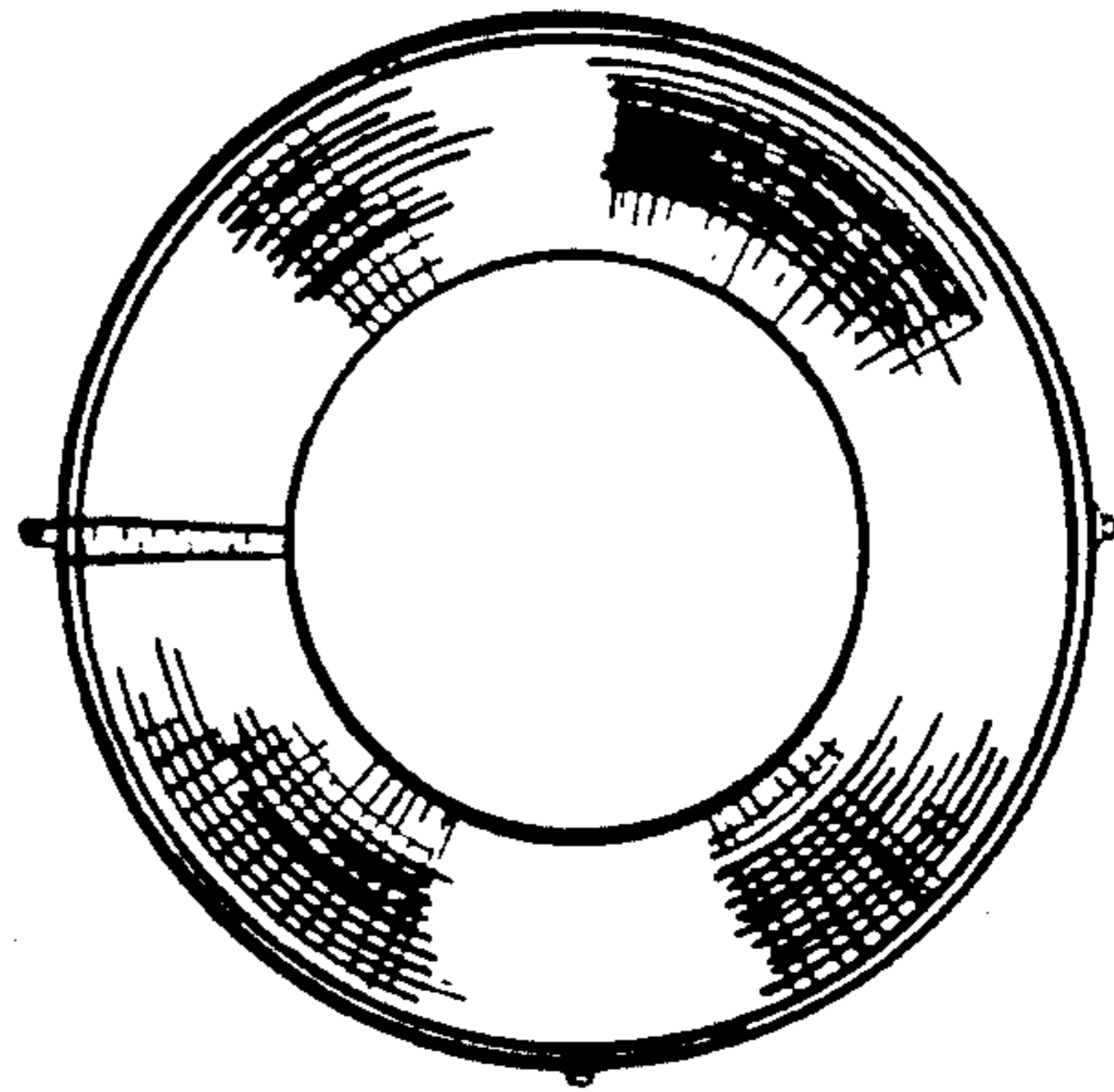


FIG. 4

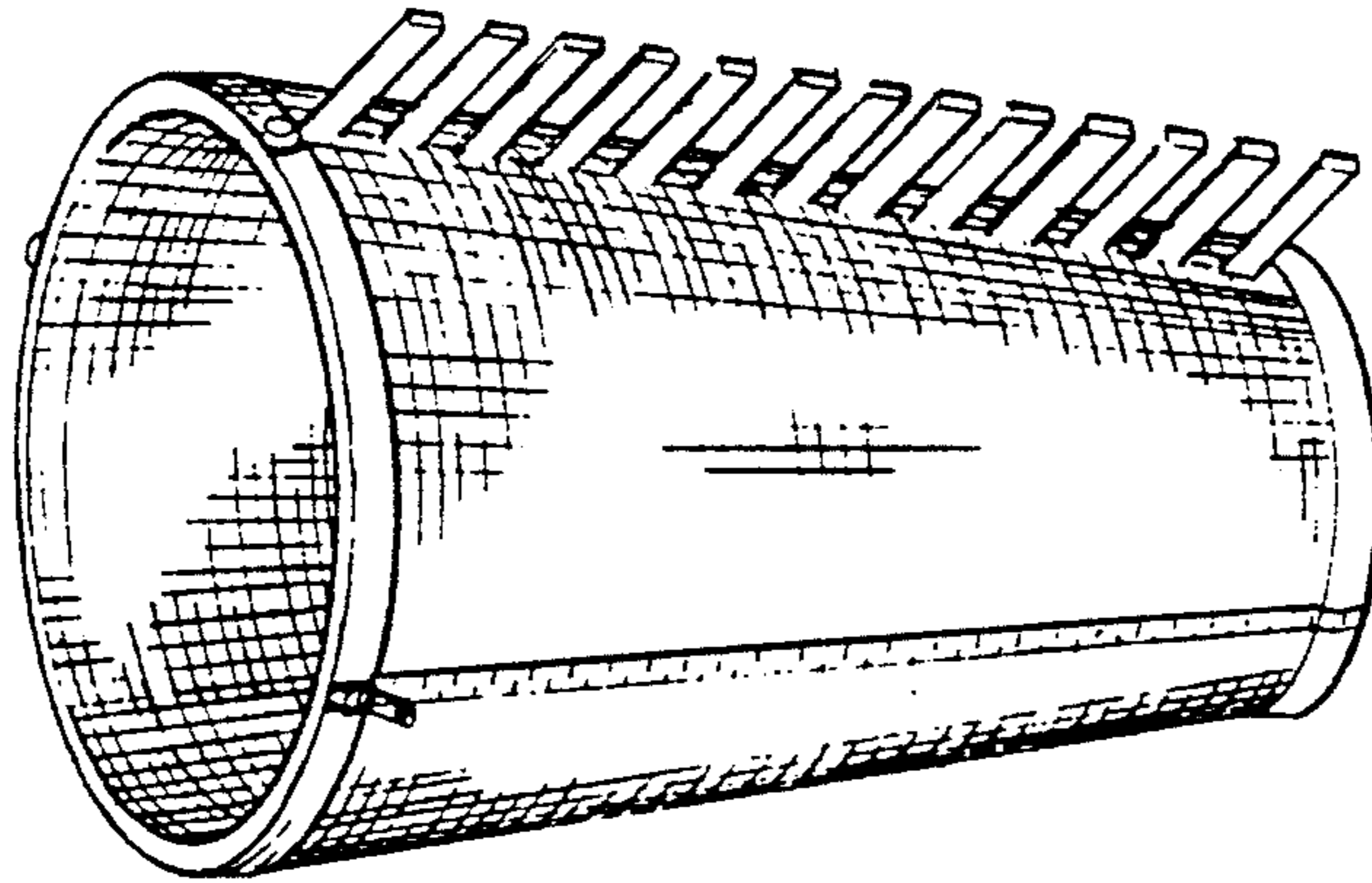


FIG. 2

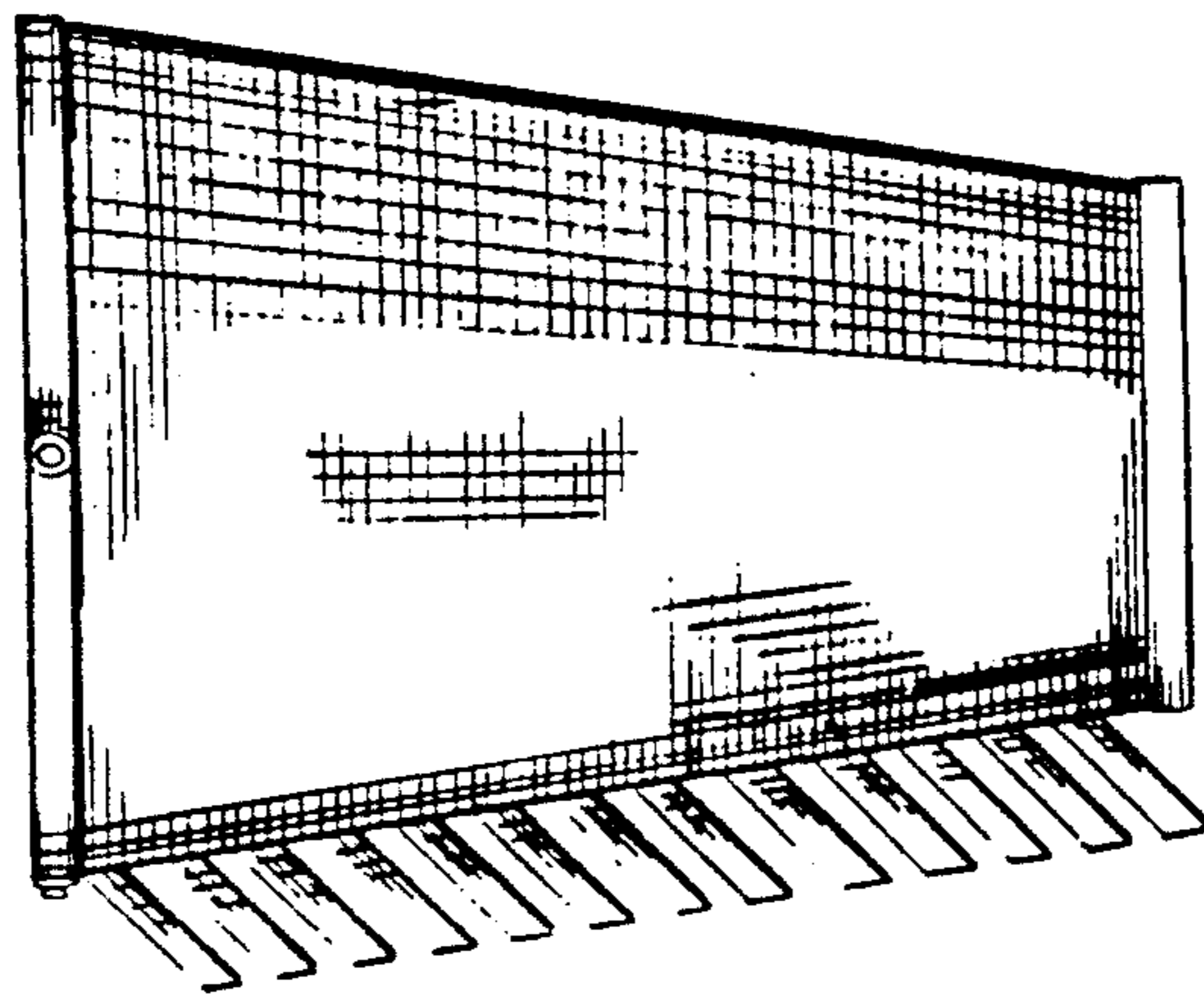


FIG. 1

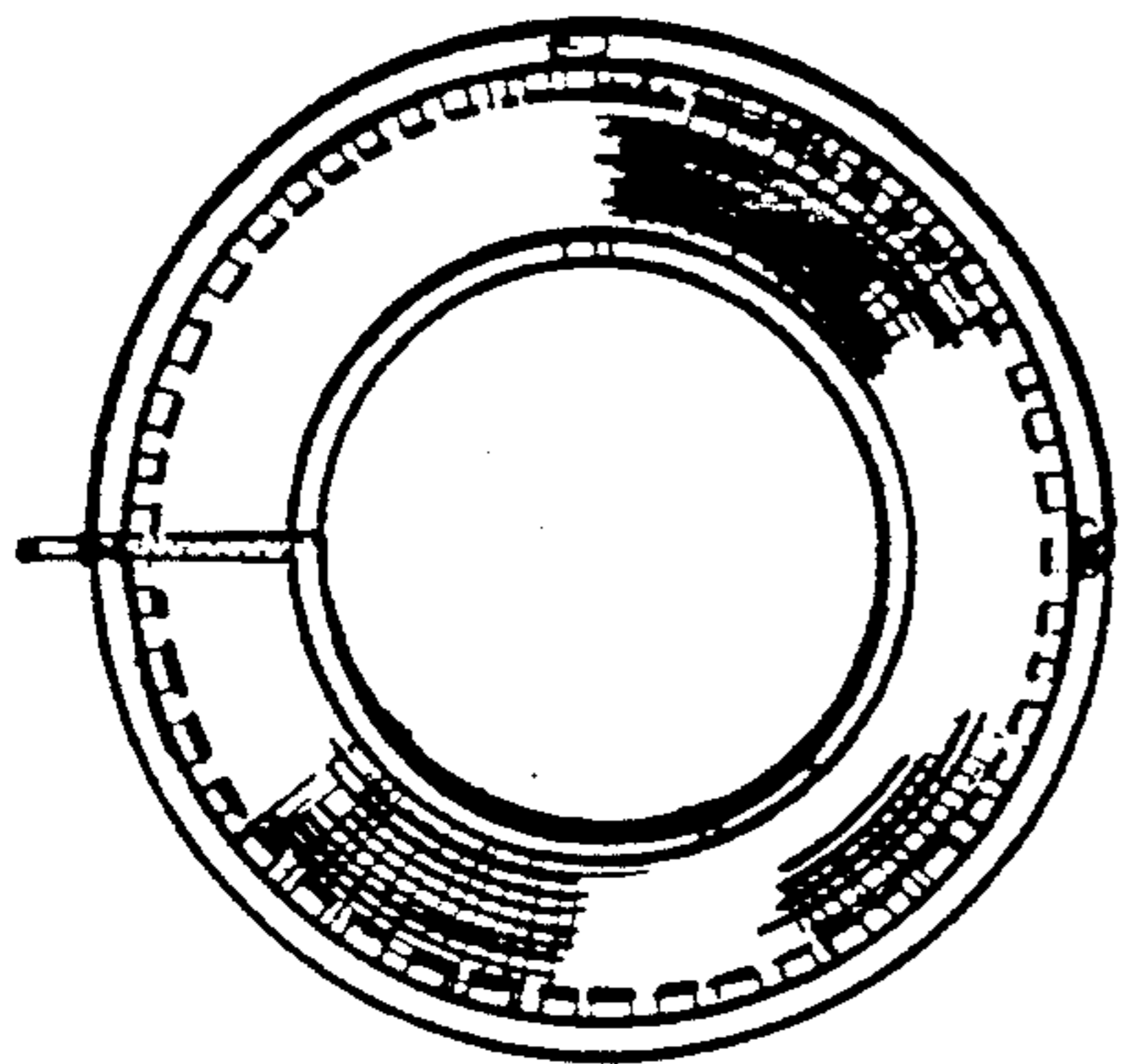


FIG. 7

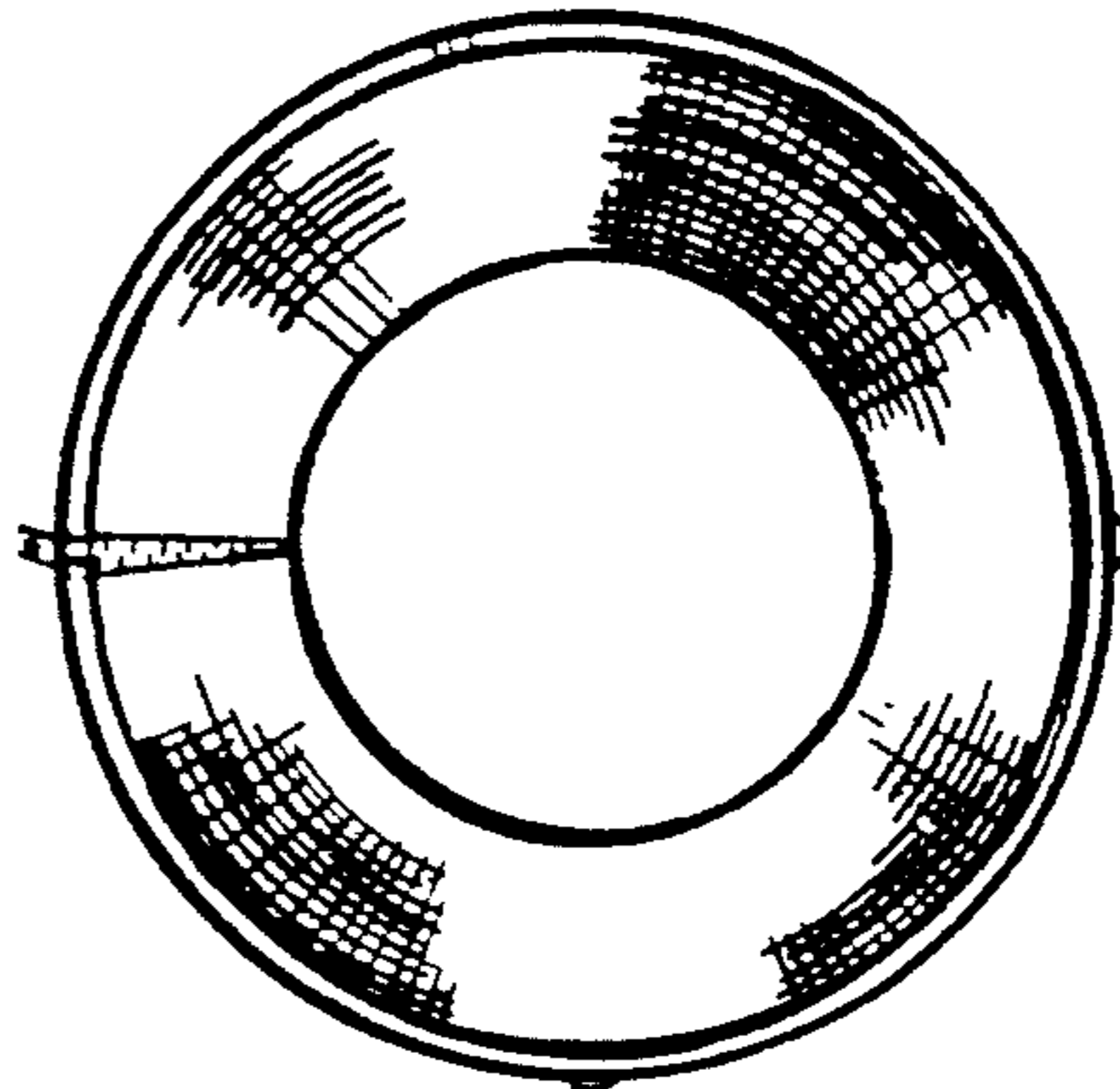


FIG. 8

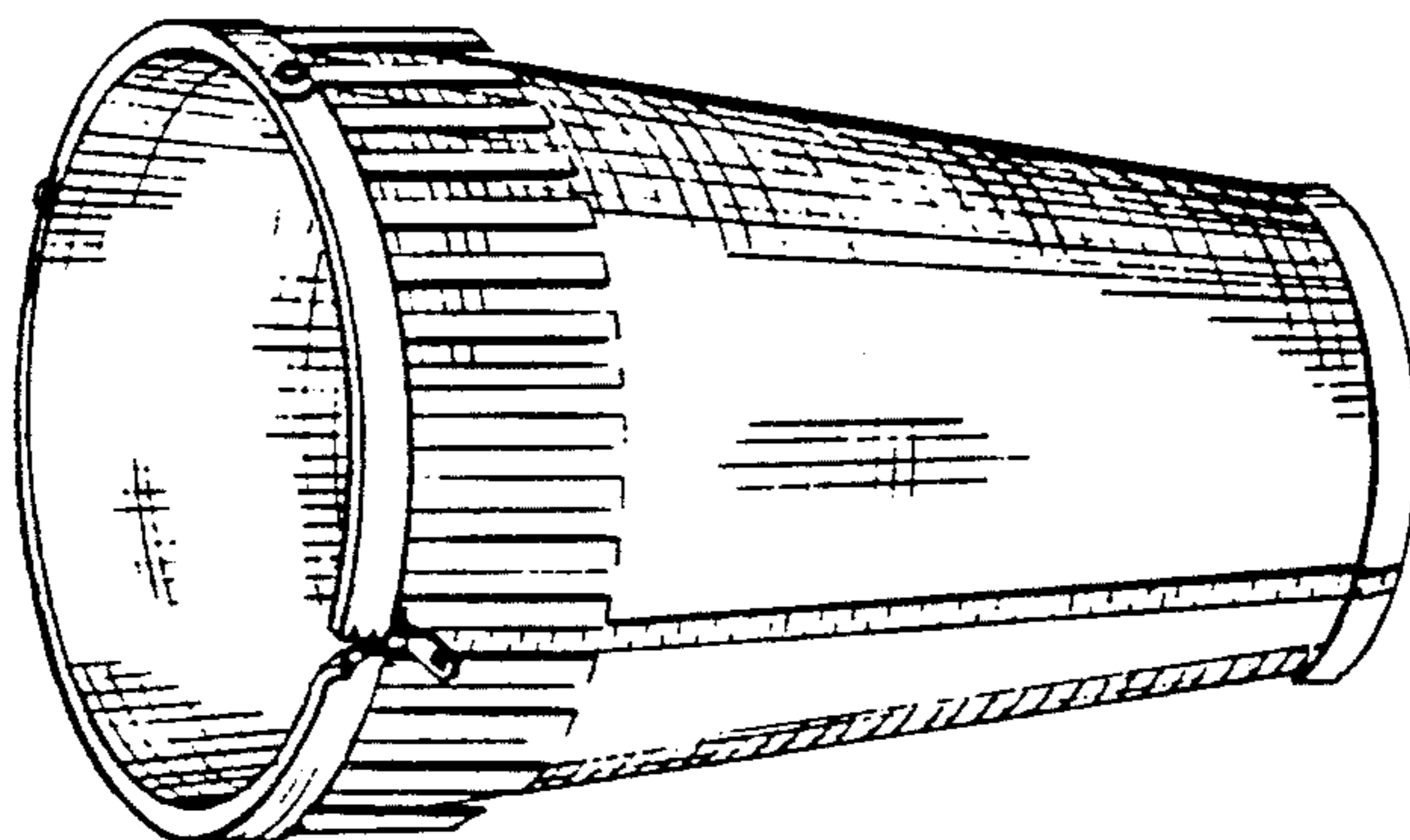


FIG. 6

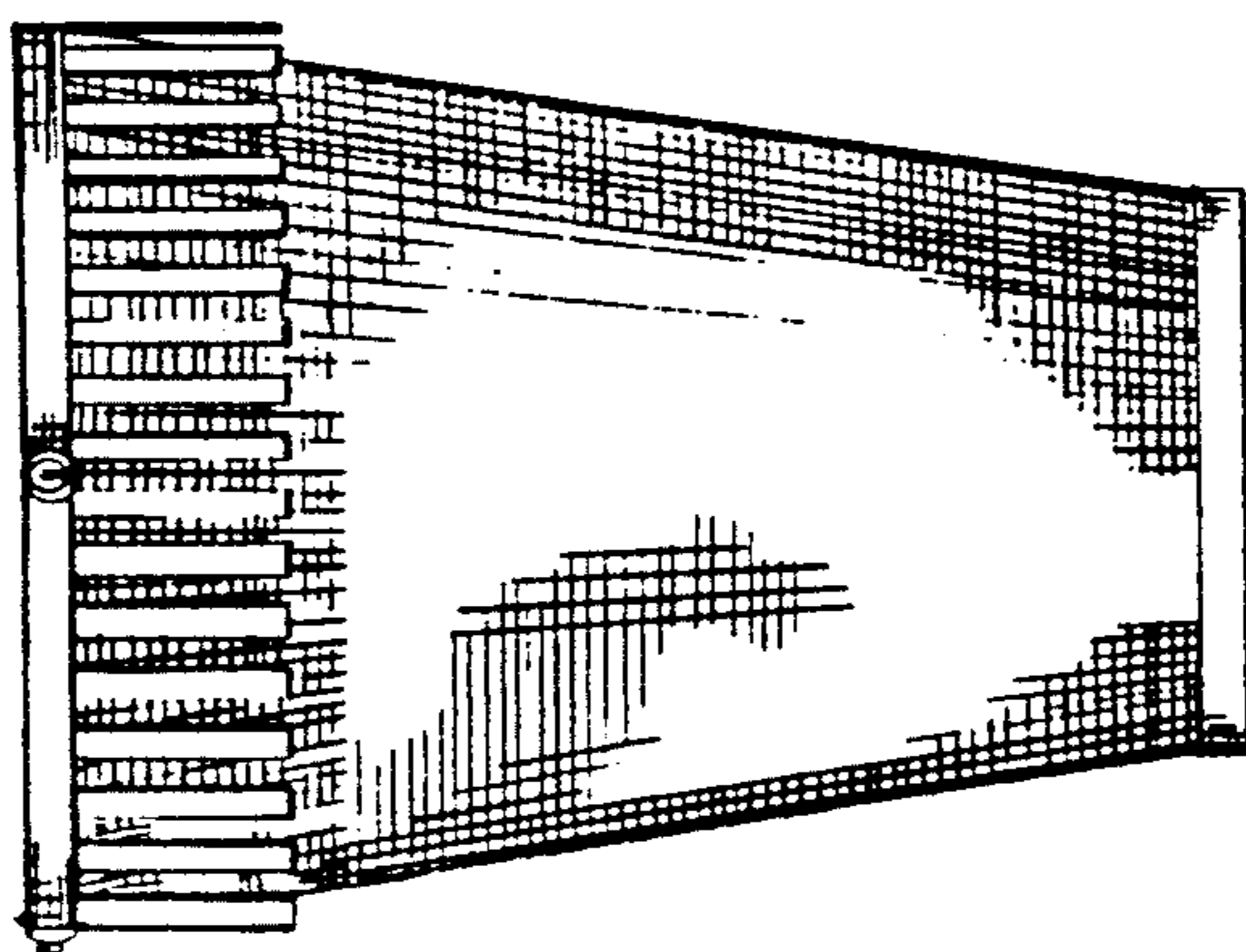


FIG. 5