



US00D345245S

United States Patent [19]

[11] Patent Number: Des. 345,245

McDonald

[45] Date of Patent: ** Mar. 22, 1994

[54] SHOE UPPER

[75] Inventor: Steven C. McDonald, Portland, Oreg.

[73] Assignee: Nike, Inc., Beaverton, Oreg.

[**] Term: 14 Years

[21] Appl. No.: 9,041

[22] Filed: Jun. 4, 1993

[52] U.S. Cl. D2/969; D2/973

[58] Field of Search D2/264, 265, 270, 283, D2/290, 293, 296, 314, 309, 326; 36/11.5, 33, 50.1, 101, 91, 114, 132, 136

4,300,294	11/1981	Riecken	36/11.5 X
4,314,412	2/1982	Anderson	36/11.5 X
4,446,633	5/1984	Scheinhaus et al.	36/11.5
4,584,782	4/1986	Thatcher	36/11.5
4,793,075	12/1988	Thatcher	36/11.5
4,811,500	3/1989	Maccano	36/91
4,843,736	7/1989	Courian	36/11.5
4,920,664	5/1990	McGregor et al.	36/11.5
4,972,609	11/1990	Oh et al.	36/114 X
5,056,241	10/1991	Young	36/11.5

OTHER PUBLICATIONS

Nike Fall 1993 Footwear Catalog, pp. 48, 50, published Dec. 1992.

Keds Sandals For 1979 Brochure.

Five Photographs Of Prior Art Sandals (date unknown).

Primary Examiner—Louis S. Zarfes

Attorney, Agent, or Firm—Banner, Birch, McKie & Beckett

[56] References Cited

U.S. PATENT DOCUMENTS

D. 62,905	8/1923	Hamilton	D2/293
D. 82,990	1/1931	Hubbell .	
D. 118,719	1/1940	Berland	D2/293
D. 143,697	2/1946	Adams .	
D. 144,080	3/1946	Sobel .	
D. 166,436	2/1952	Wolfelt .	
D. 224,763	9/1972	Fukuoka	D2/283
D. 227,198	6/1973	Fukuoka	D2/283
D. 246,337	11/1977	Niarhos	D2/293
D. 254,578	4/1980	Finn	D2/296
D. 255,396	6/1980	Scheinhaus et al.	D2/326
D. 268,710	4/1983	Anderie	D2/290
D. 281,735	12/1985	Seltzer	D2/293
D. 283,364	4/1986	Gamm	D2/309
D. 285,022	8/1986	Schornstein	D2/283
D. 325,290	4/1992	Hatfield	D2/314
D. 329,527	9/1992	Cohen	D2/265
D. 332,517	1/1993	Middleton	D2/290
D. 335,209	5/1993	Avar	D2/314
D. 336,770	6/1993	Allen, III et al.	D2/314
3,000,116	9/1961	Ally	36/101
3,063,458	11/1962	Scholl	D2/293 X
3,698,107	10/1972	Fukuoka	36/11.5
4,200,997	5/1980	Scheinhaus et al.	36/11.5

[57] CLAIM

The ornamental design for a shoe upper, as shown and described.

DESCRIPTION

FIG. 1 is a side elevational view of one side of a shoe upper showing my new design;

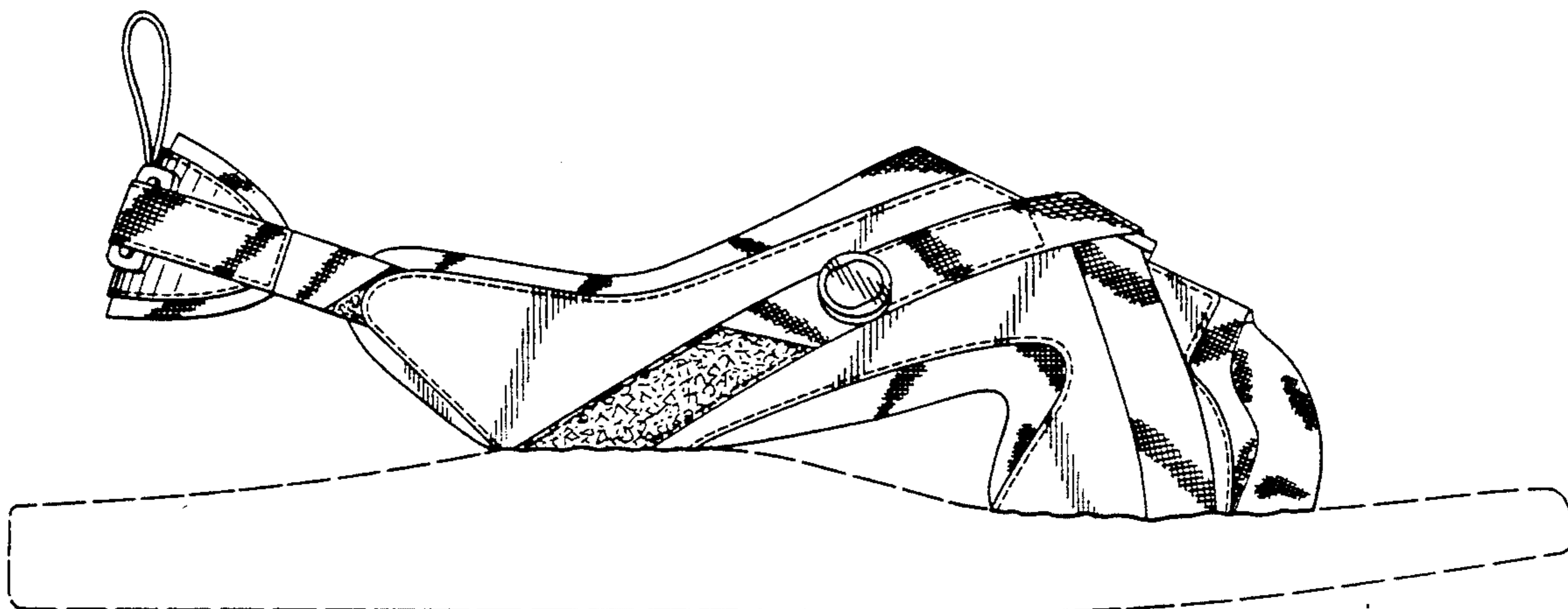
FIG. 2 is a side elevational view of the other side of the shoe upper shown in FIG. 1;

FIG. 3 is a front elevational view of the shoe upper shown in FIG. 1;

FIG. 4 is a rear elevational view of the shoe upper shown in FIG. 1; and,

FIG. 5 is a top plan view of the shoe upper shown in FIG. 1.

The broken line showing of a shoe midsole and outsole is for illustrative purposes and forms no part of the claimed design.



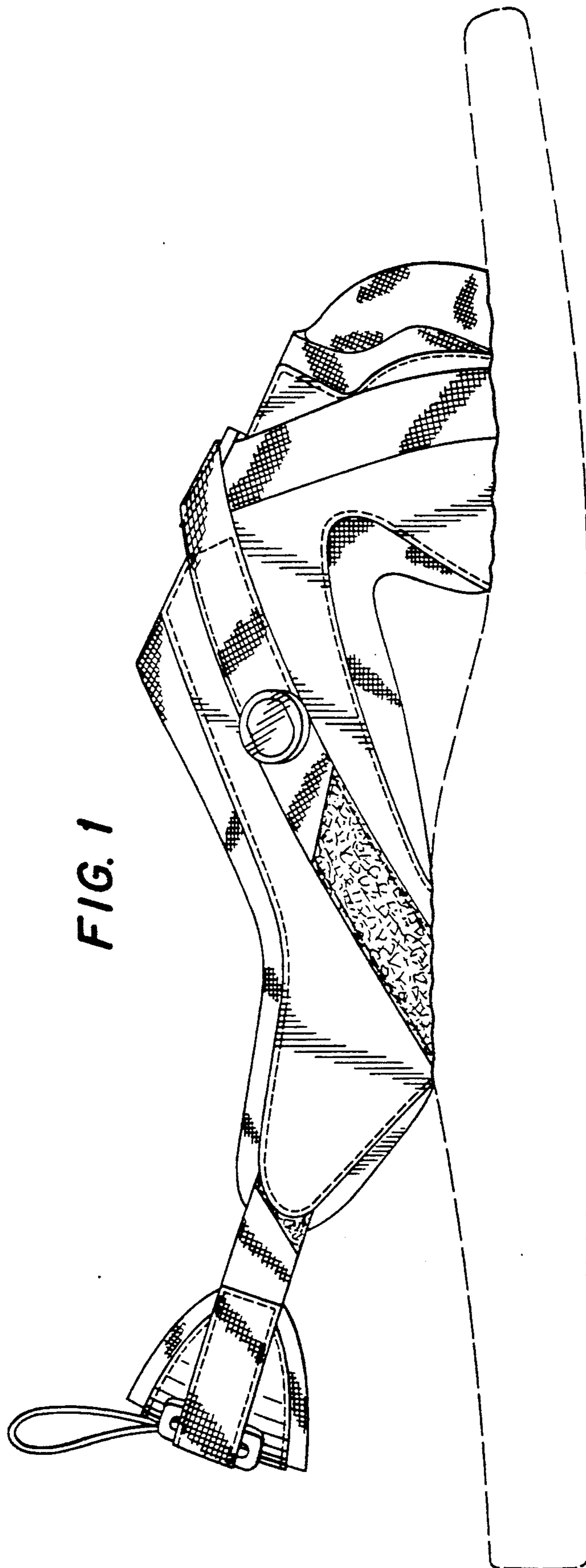


FIG. 1

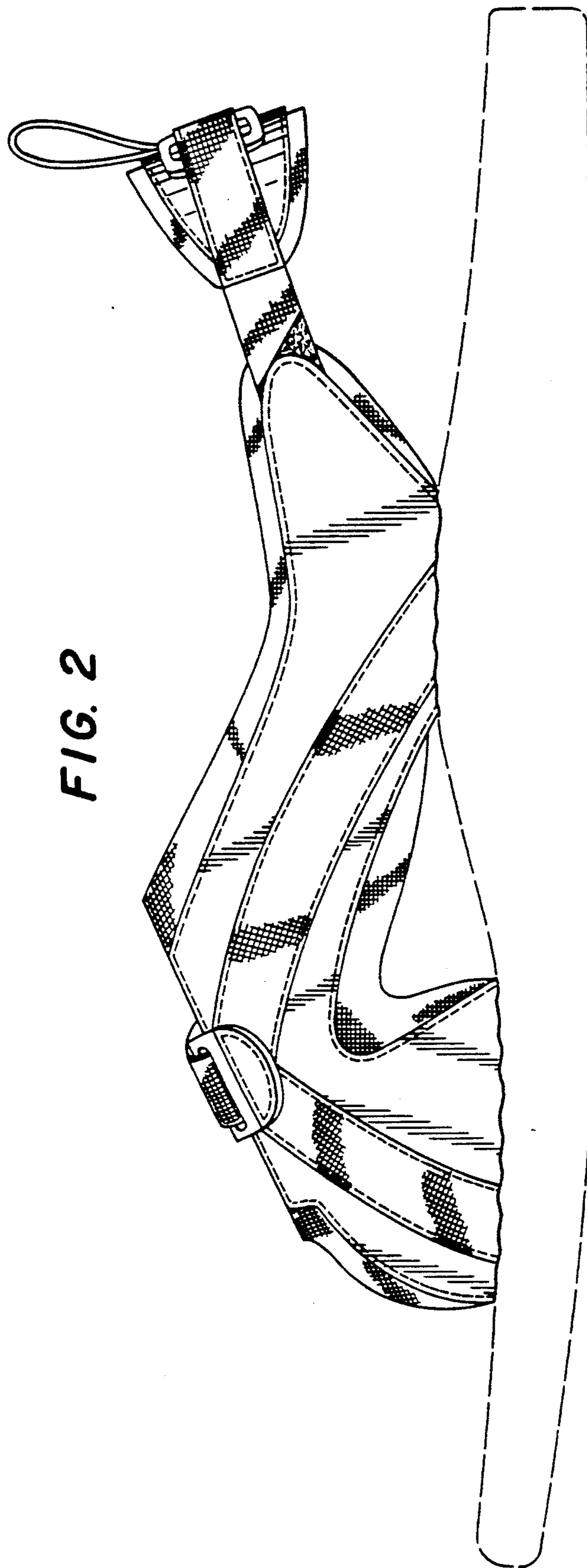


FIG. 2

FIG. 4

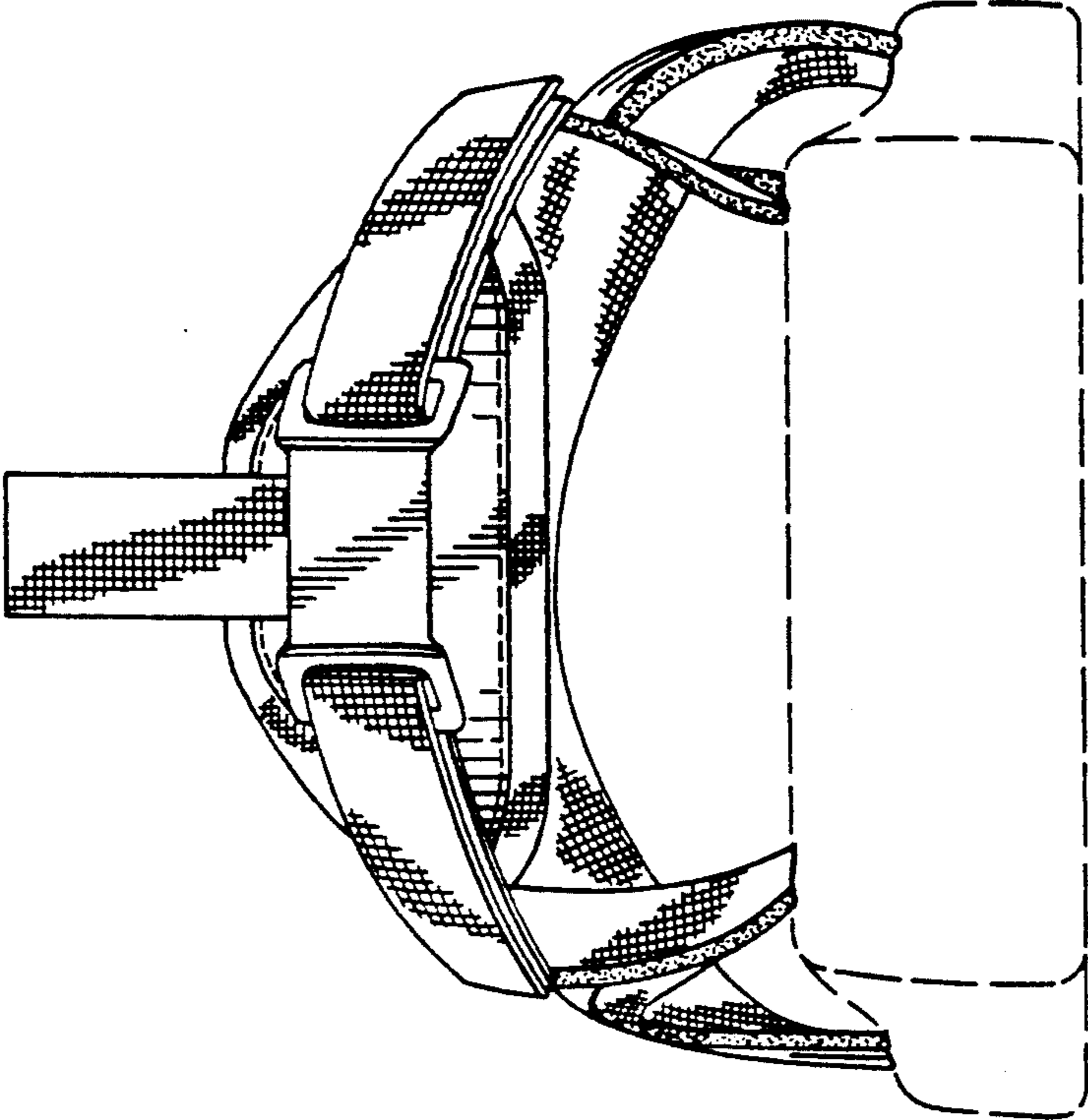


FIG. 3

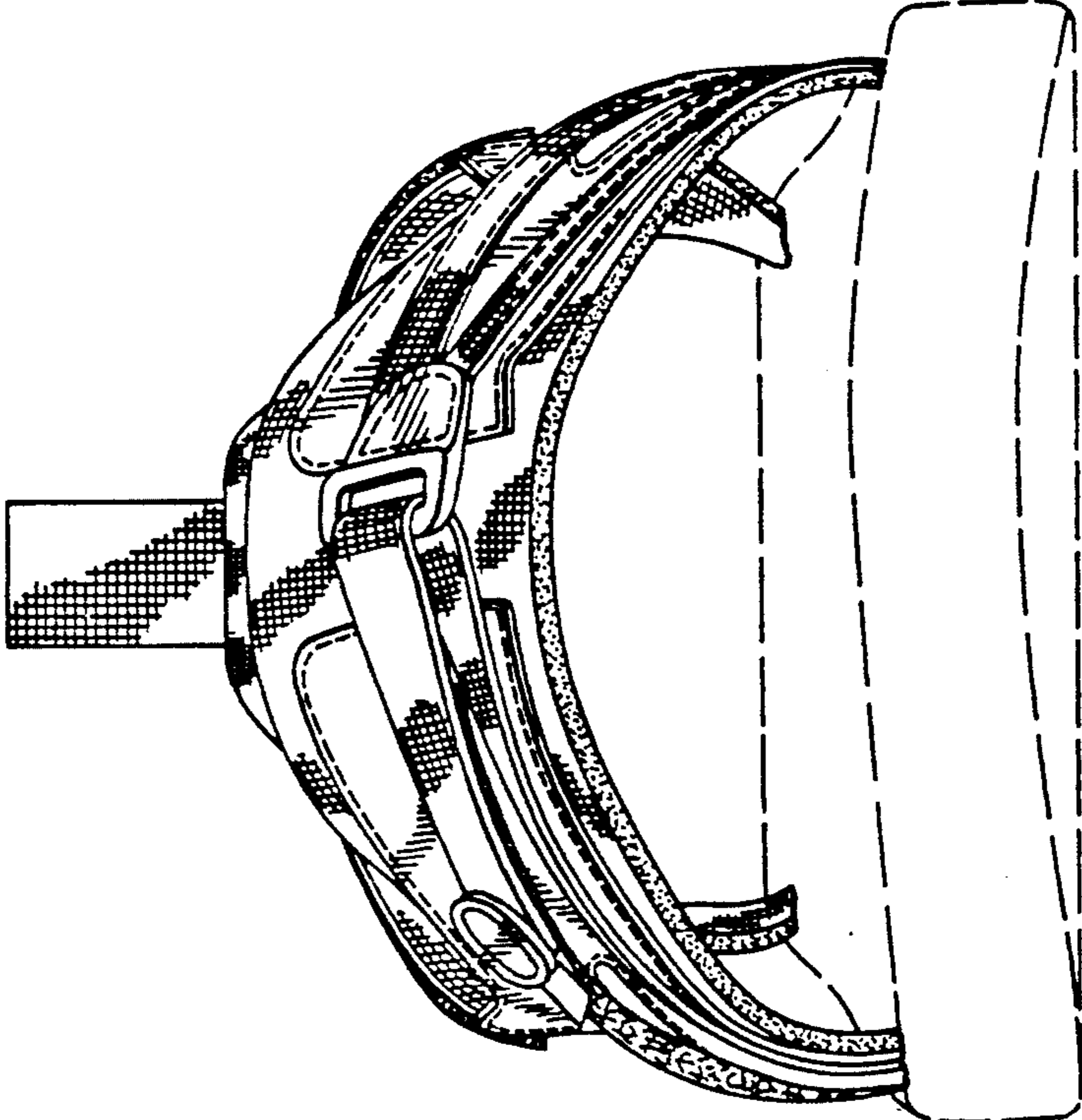


FIG. 5

