



US00D345242S

United States Patent [19]

[11] Patent Number: Des. 345,242

Bunn

[45] Date of Patent: ** Mar. 15, 1994

[54] **FREESTANDING RACK FOR SUPPORTING A RECYCLING BAG**

4,957,252	9/1990	Watkins	248/97
5,018,691	5/1991	King	248/99
5,183,226	2/1993	Brooks	248/97

[75] Inventor: **Robert W. Bunn**, Dundee, Oreg.

Primary Examiner—Kay H. Chin
Attorney, Agent, or Firm—Chernoff, Vilhauer

[73] Assignee: **The Bag Connection, Inc.**, Newberg, Oreg.

[**] Term: **14 Years**

[57] **CLAIM**

[21] Appl. No.: **879**

The ornamental design for a freestanding rack for supporting a recycling bag, as shown, and described.

[22] Filed: **Oct. 27, 1992**

DESCRIPTION

[52] U.S. Cl. **D34/5; D6/411**

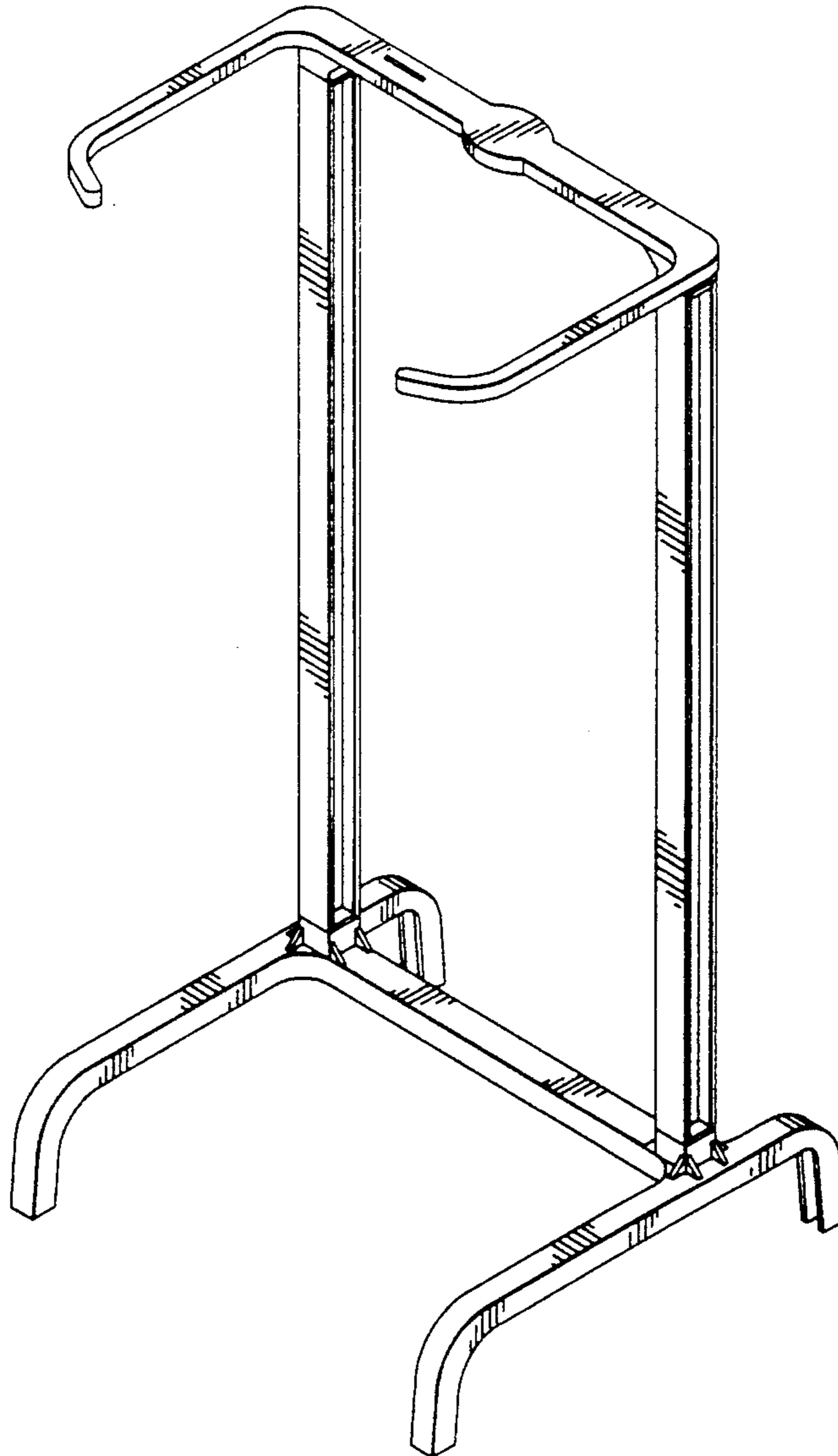
[58] Field of Search 248/95, 97, 99, 100, 248/101; D6/411, 410, 462; D34/1, 5, 6

FIG. 1 is a perspective view, looking from above, of a freestanding rack for supporting a recycling bag;
FIG. 2 is a front elevational view thereof;
FIG. 3 is a rear elevational view thereof;
FIG. 4 is a left side elevational view thereof, the right side being a mirror image thereof;
FIG. 5 is top plan view thereof; and,
FIG. 6 is a bottom plan view thereof.

[56] **References Cited**

U.S. PATENT DOCUMENTS

4,174,085	11/1979	Ferreira et al.	248/97
4,623,111	11/1986	Prader	248/97



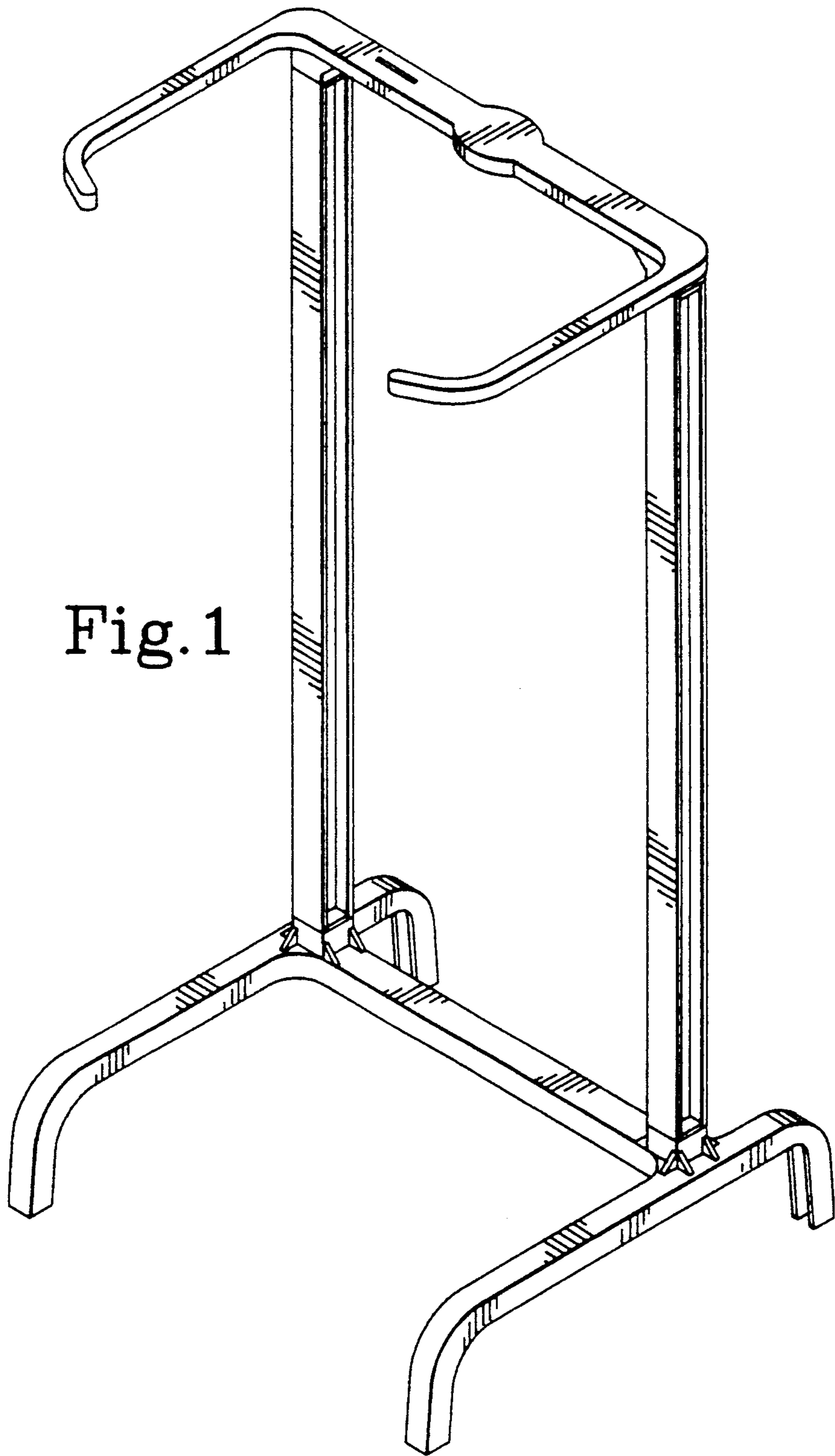


Fig. 1

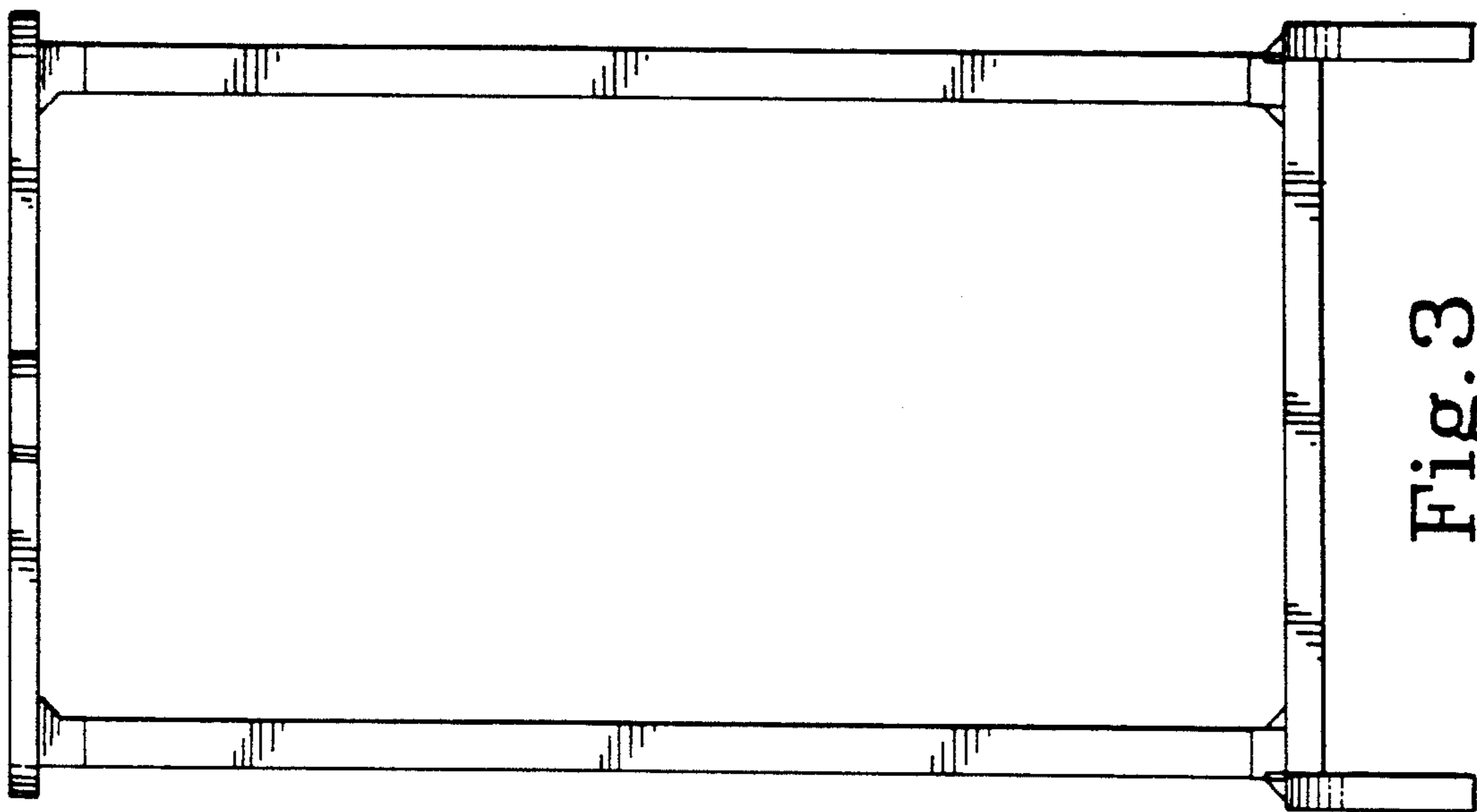


Fig. 3

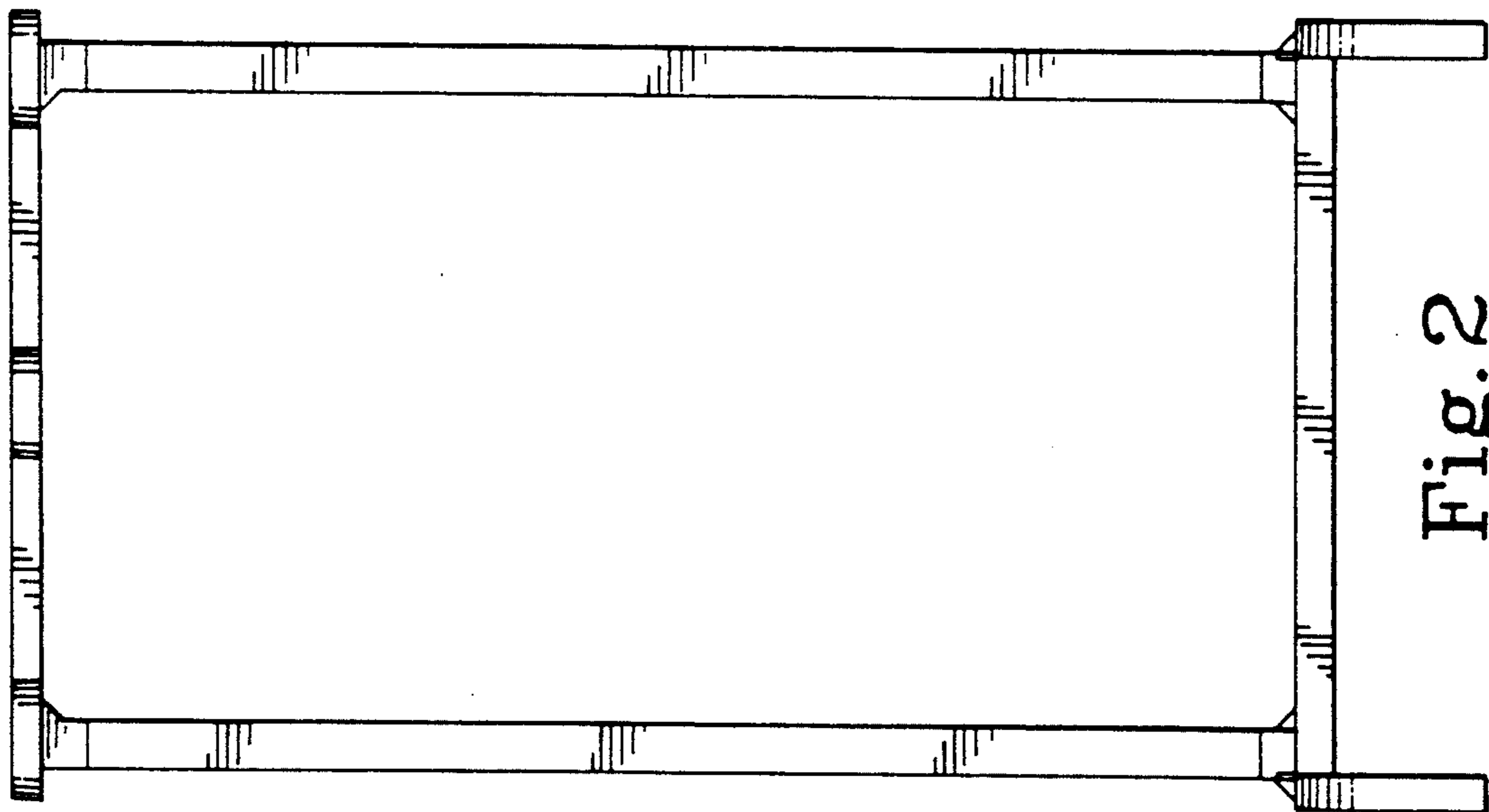


Fig. 2

