



US00D345241S

# United States Patent [19]

[11] Patent Number: **Des. 345,241**

**Bunn**

[45] Date of Patent: **\*\* Mar. 15, 1994**

[54] **FREESTANDING RACK FOR SUPPORTING A PAIR OF RECYCLING BAGS**

5,018,691 5/1991 King ..... 248/99  
5,183,226 2/1993 Brooks ..... 248/97

[75] Inventor: **Robert W. Bunn, Dundee, Oreg.**

*Primary Examiner—Kay H. Chin  
Attorney, Agent, or Firm—Chernoff, Vilhauer*

[73] Assignee: **The Bag Connection, Inc., Newberg, Oreg.**

[57] **CLAIM**

[\*\*] Term: **14 Years**

The ornamental design for a freestanding rack for supporting a pair of recycling bags, as shown, and described.

[21] Appl. No.: **877**

[22] Filed: **Oct. 27, 1992**

[52] U.S. Cl. .... **D34/5; D6/411**

[58] Field of Search ..... 248/95, 97, 99, 100, 248/101; D6/411, 410, 462; D34/1, 5, 6

**DESCRIPTION**

[56] **References Cited**

**U.S. PATENT DOCUMENTS**

4,174,085 11/1979 Ferreira et al. .... 248/97  
4,623,111 11/1986 Prader ..... 248/97  
4,957,252 9/1990 Watkins ..... 248/97

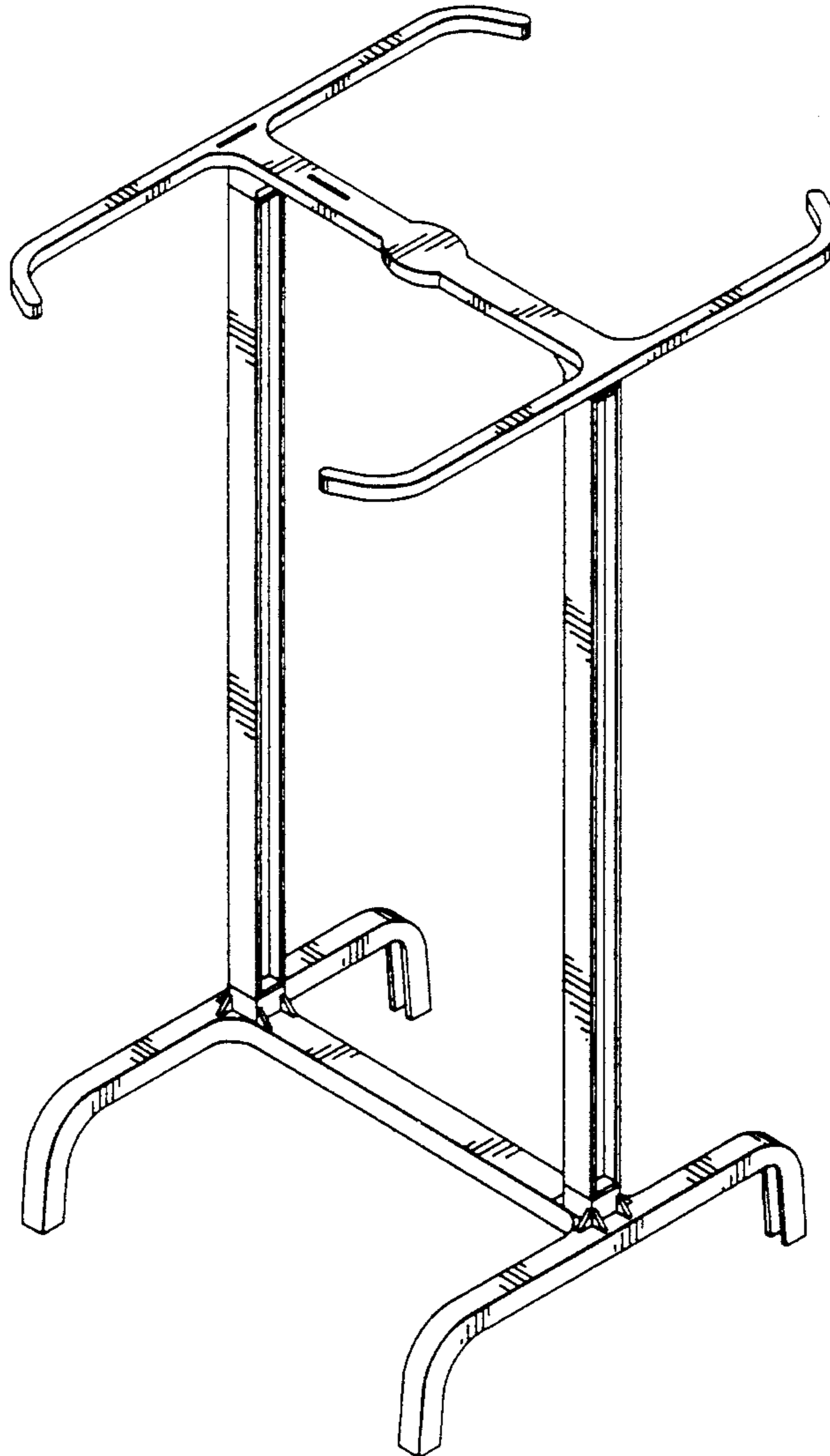
FIG. 1 is a perspective view, looking from above, of a freestanding rack for supporting a pair of recycling bags;

FIG. 2 is a front elevational view thereof, the rear elevational view being identical thereto;

FIG. 3 is a first side elevational view, the second side elevational view being identical thereto;

FIG. 4 is a top plan view thereof; and,

FIG. 5 is a bottom plan view thereof.



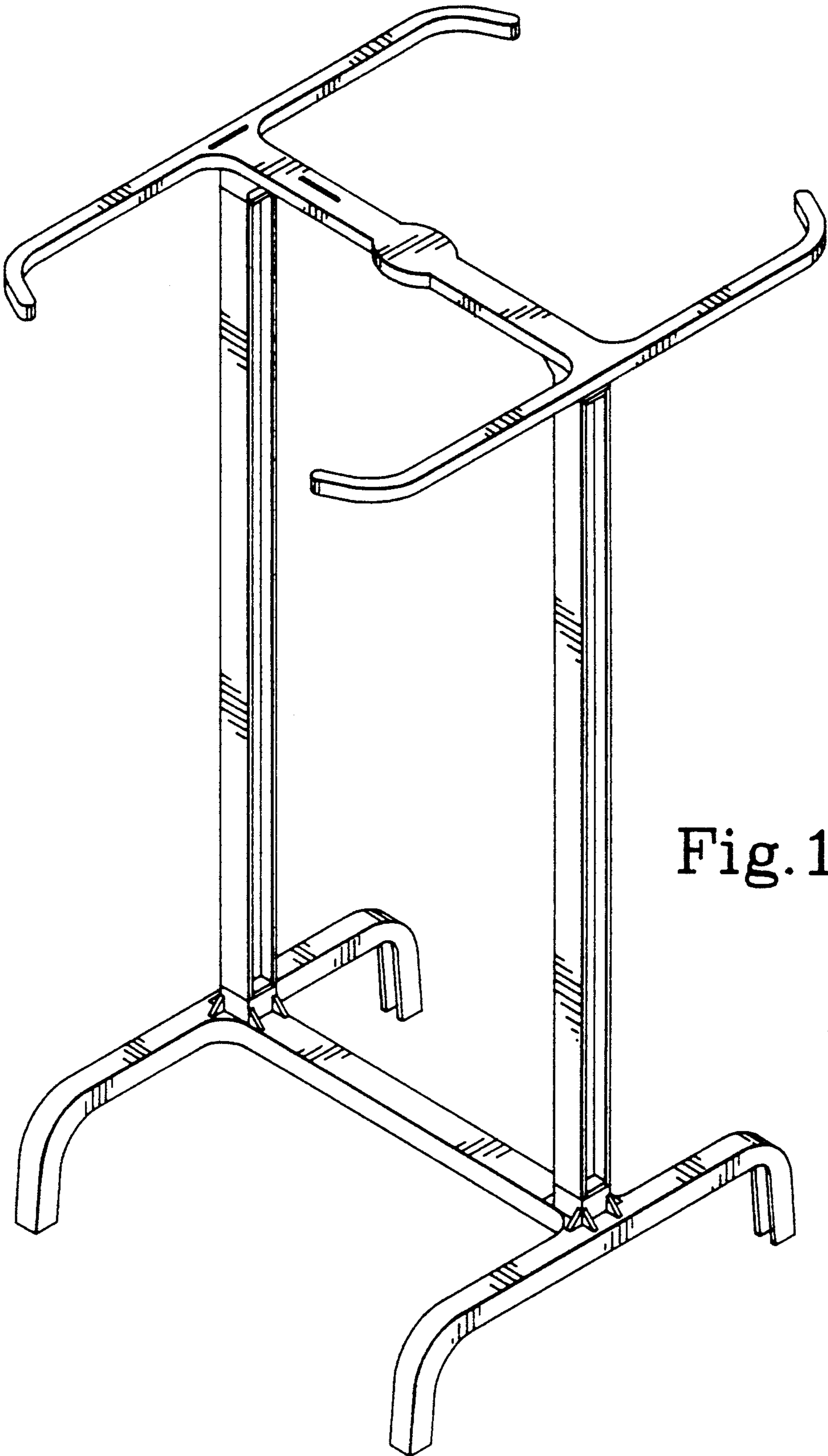


Fig. 1

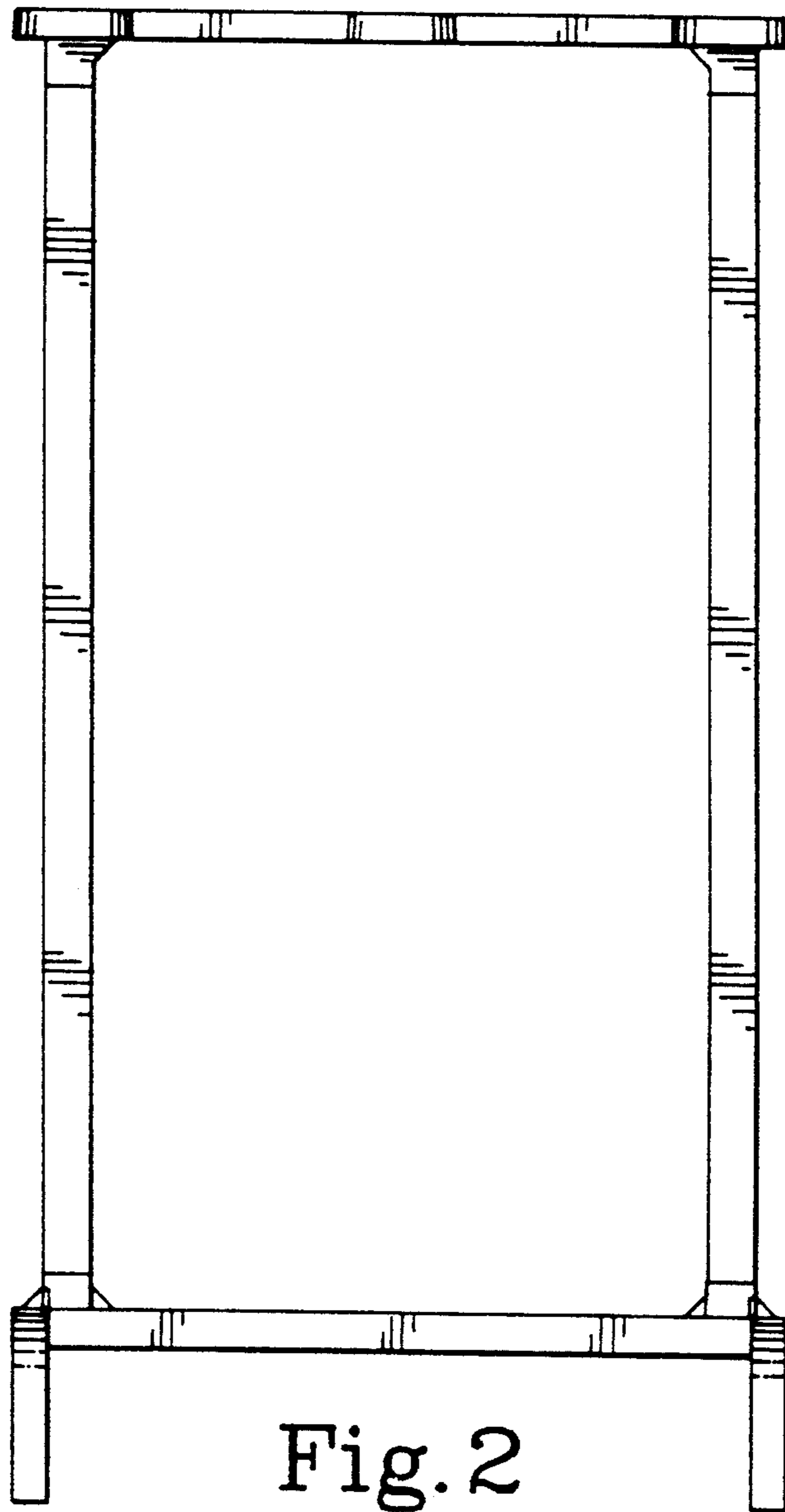


Fig. 2

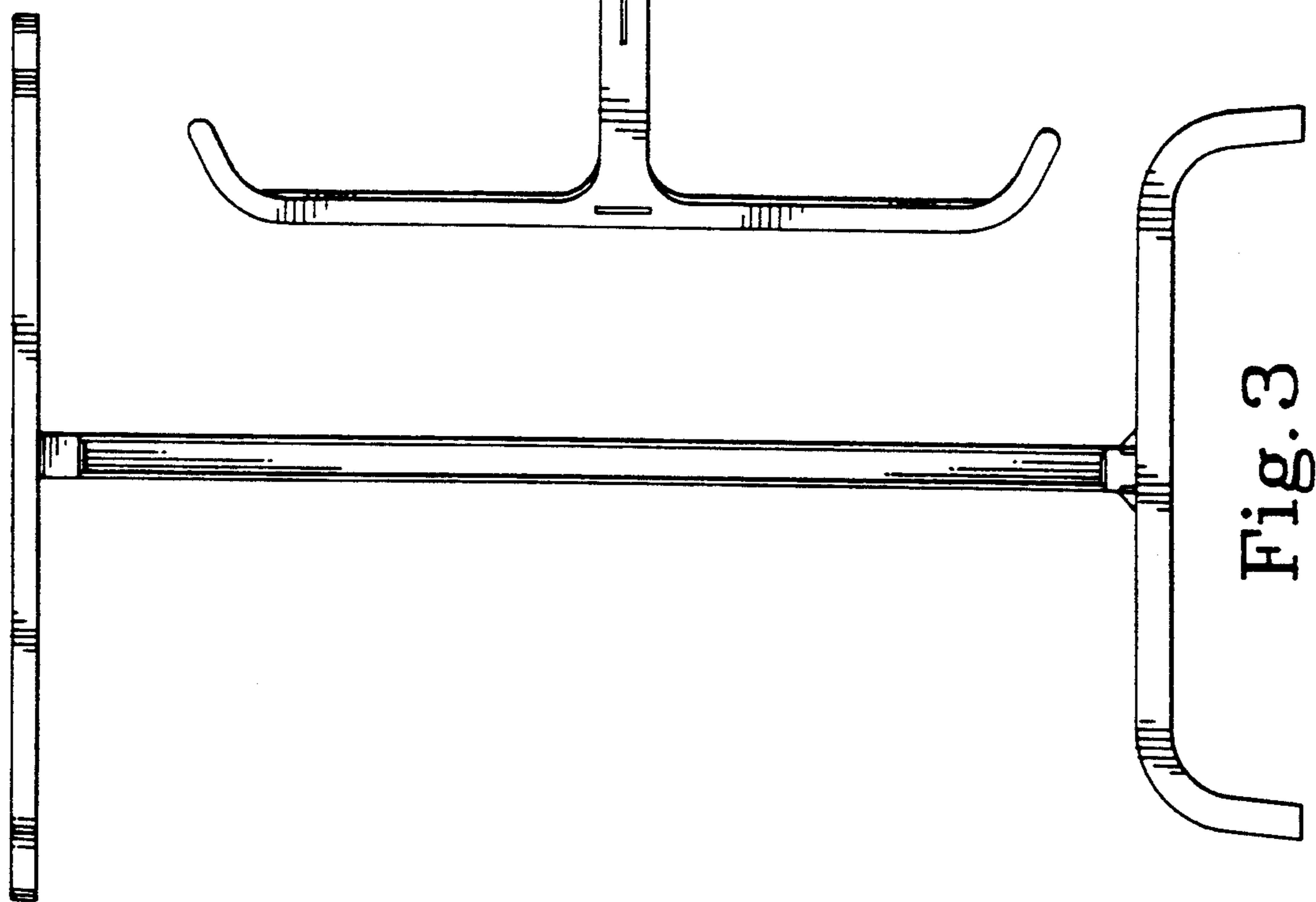


Fig. 3

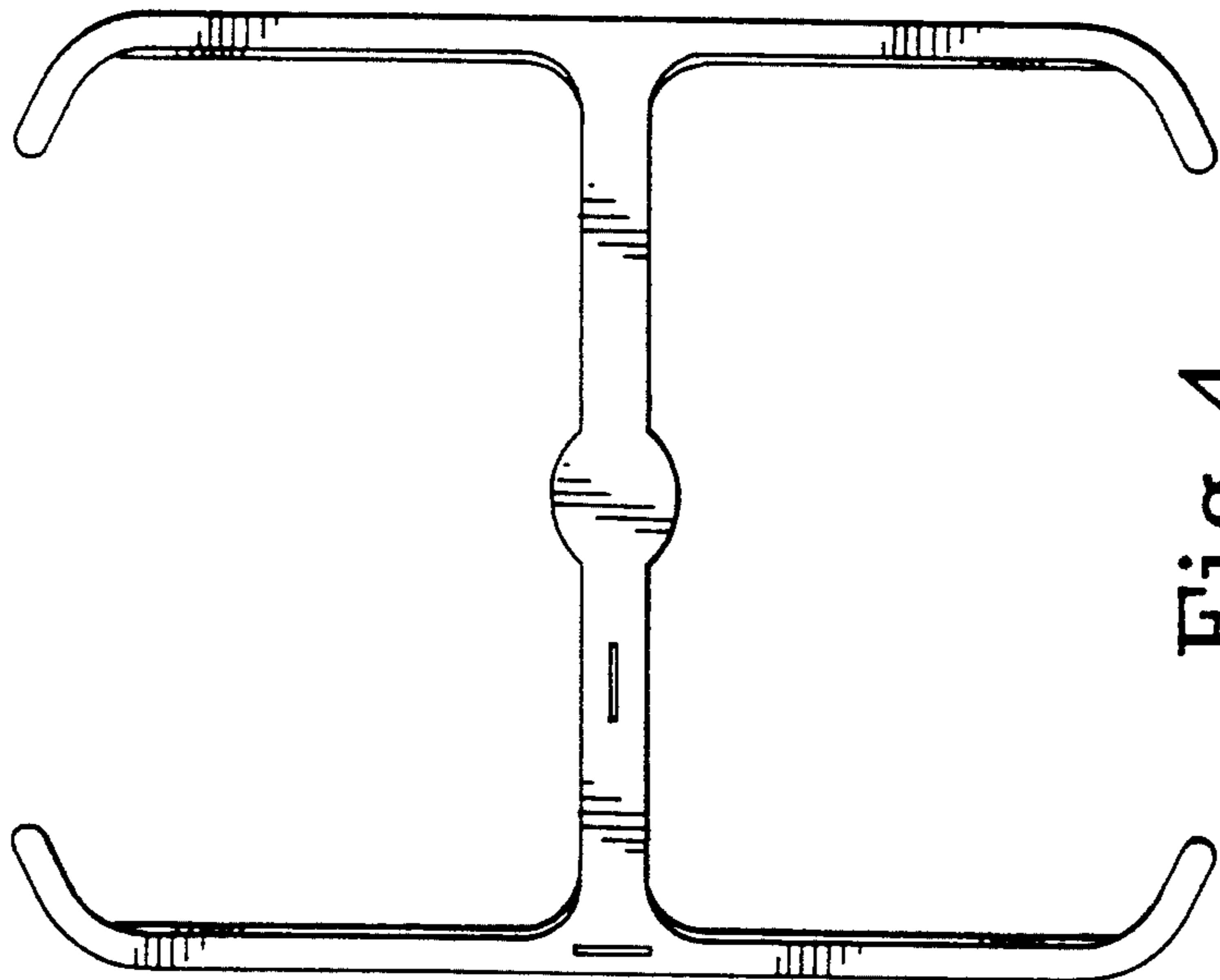


Fig. 4

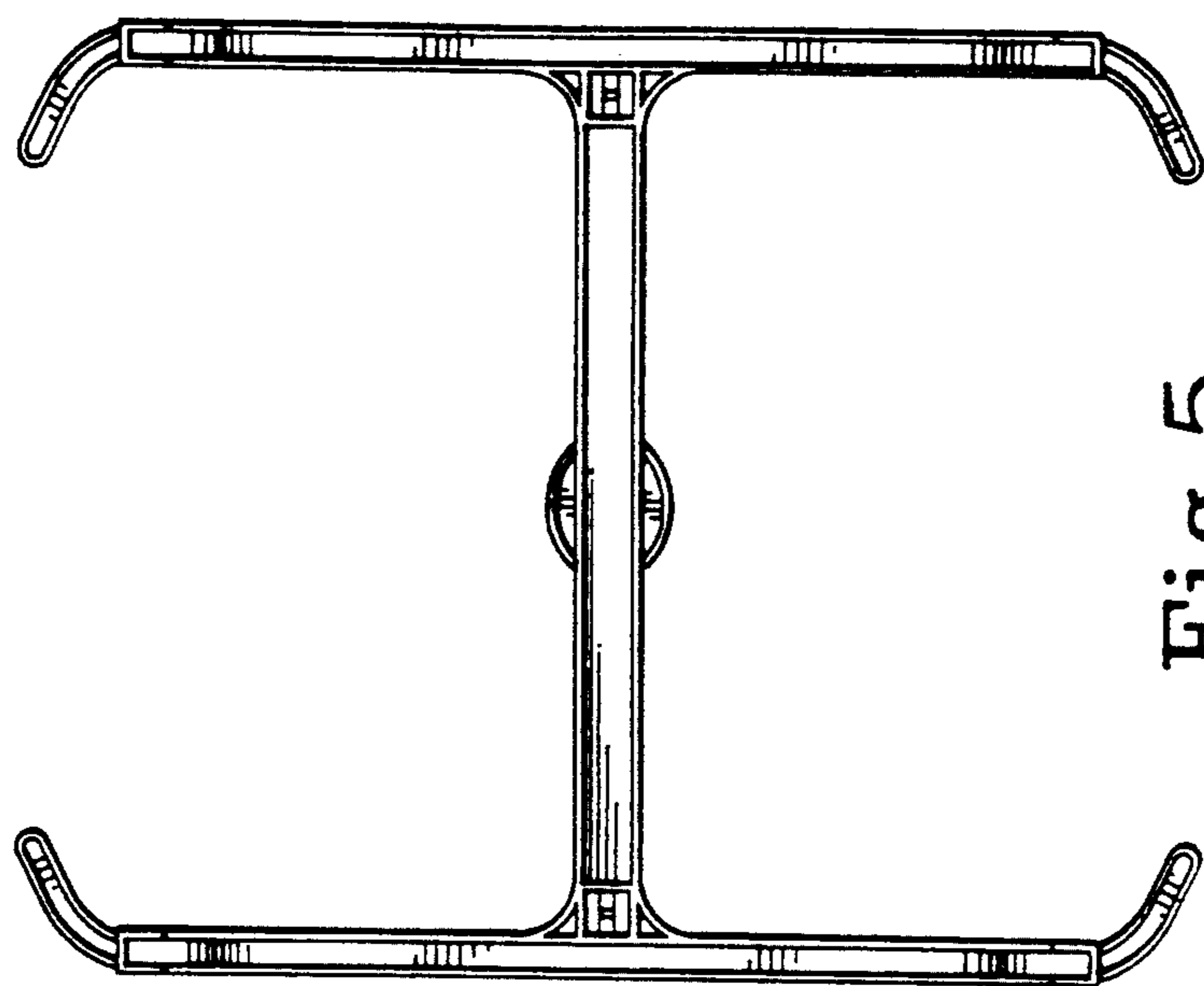


Fig. 5