



US00D345240S

United States Patent [19]

Celentani et al.

[11] Patent Number: **Des. 345,240**

[45] Date of Patent: **** Mar. 15, 1994**

- [54] **3-SIDED REFUSE CONTAINER**
- [76] Inventors: **John A. Celentani**, 1243 Norton, Rochester, N.Y. 14621; **Ralph Celentani**, 123 Brizee St., East Rochester, N.Y. 14445
- [**] Term: **14 Years**
- [21] Appl. No.: **905,864**
- [22] Filed: **Jun. 29, 1992**
- [52] U.S. Cl. **D34/5; D34/1**
- [58] Field of Search **220/908, 909; 280/47.26, 79.2, 47.34; D34/1-11**

- 3,261,545 7/1966 Frazier .
- 3,322,477 5/1967 Armijo .
- 4,765,503 8/1988 Otto et al. 220/908
- 4,819,827 4/1989 DiSesa D34/7
- 4,953,744 9/1990 Koyama .

Primary Examiner—Kay H. Chin
Attorney, Agent, or Firm—Cumpston & Shaw

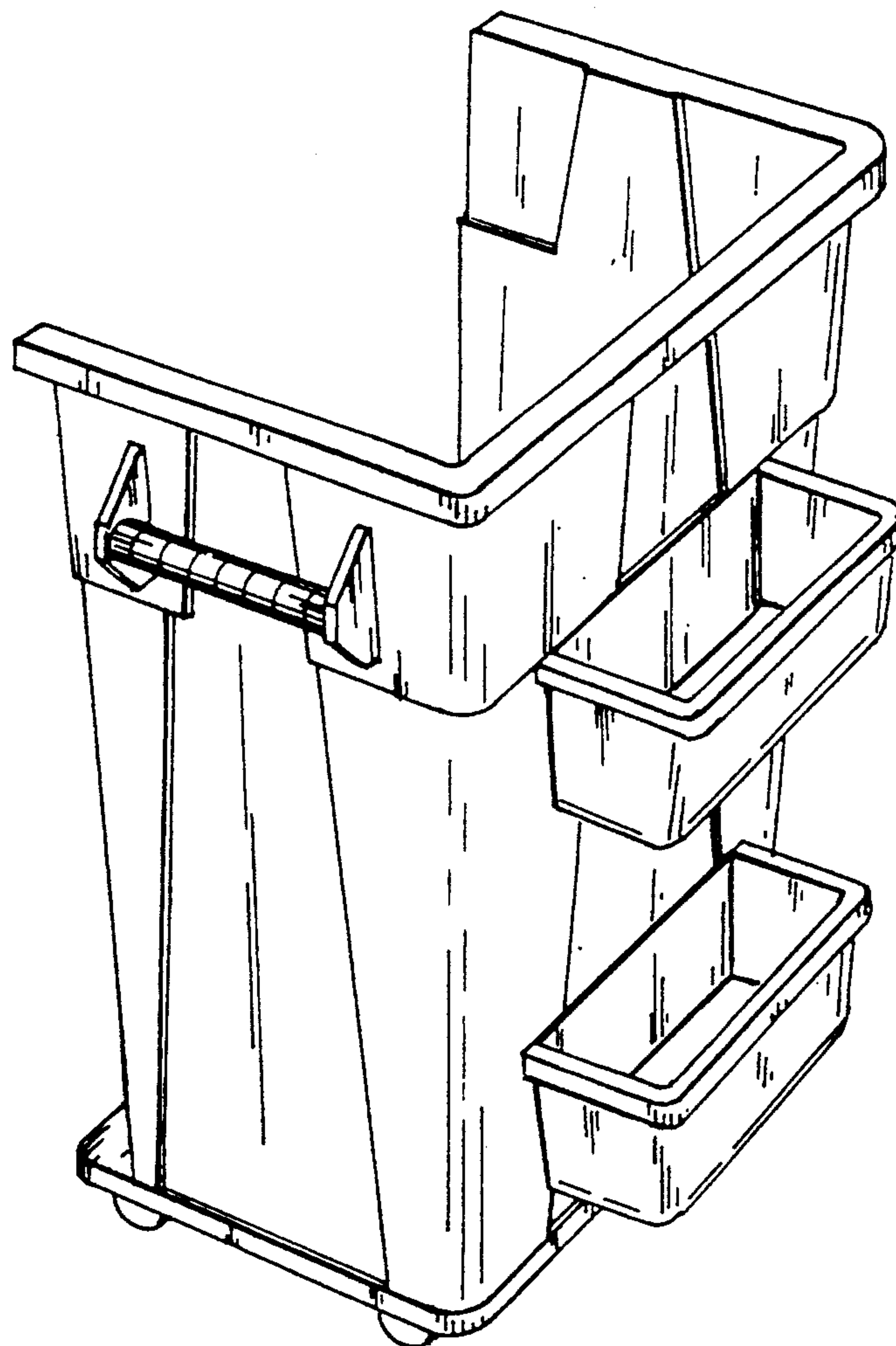
[57] CLAIM

The ornamental design for a 3-sided refuse container, as shown and described.

DESCRIPTION

FIG. 1 is a front elevational view of the 3-sided refuse container on its roller base showing my new design; FIG. 2 is a right side elevational view showing the rear side basket projections; FIG. 3 is a rear elevational view of the refuse container; FIG. 4 is a left side elevational view thereof; FIG. 5 is a top plan view thereof; FIG. 6 is a bottom plan view thereof; and, FIG. 7 is a top and rear perspective view thereof.

- [56] **References Cited**
- U.S. PATENT DOCUMENTS**
- D. 304,631 11/1989 McCarville D34/5
- 1,238,993 9/1917 Edwards .
- 2,531,444 11/1950 Lane .
- 3,099,390 7/1963 Dylla .
- 3,162,361 12/1964 Brighton et al. .
- 3,204,866 9/1965 Brighton et al. .



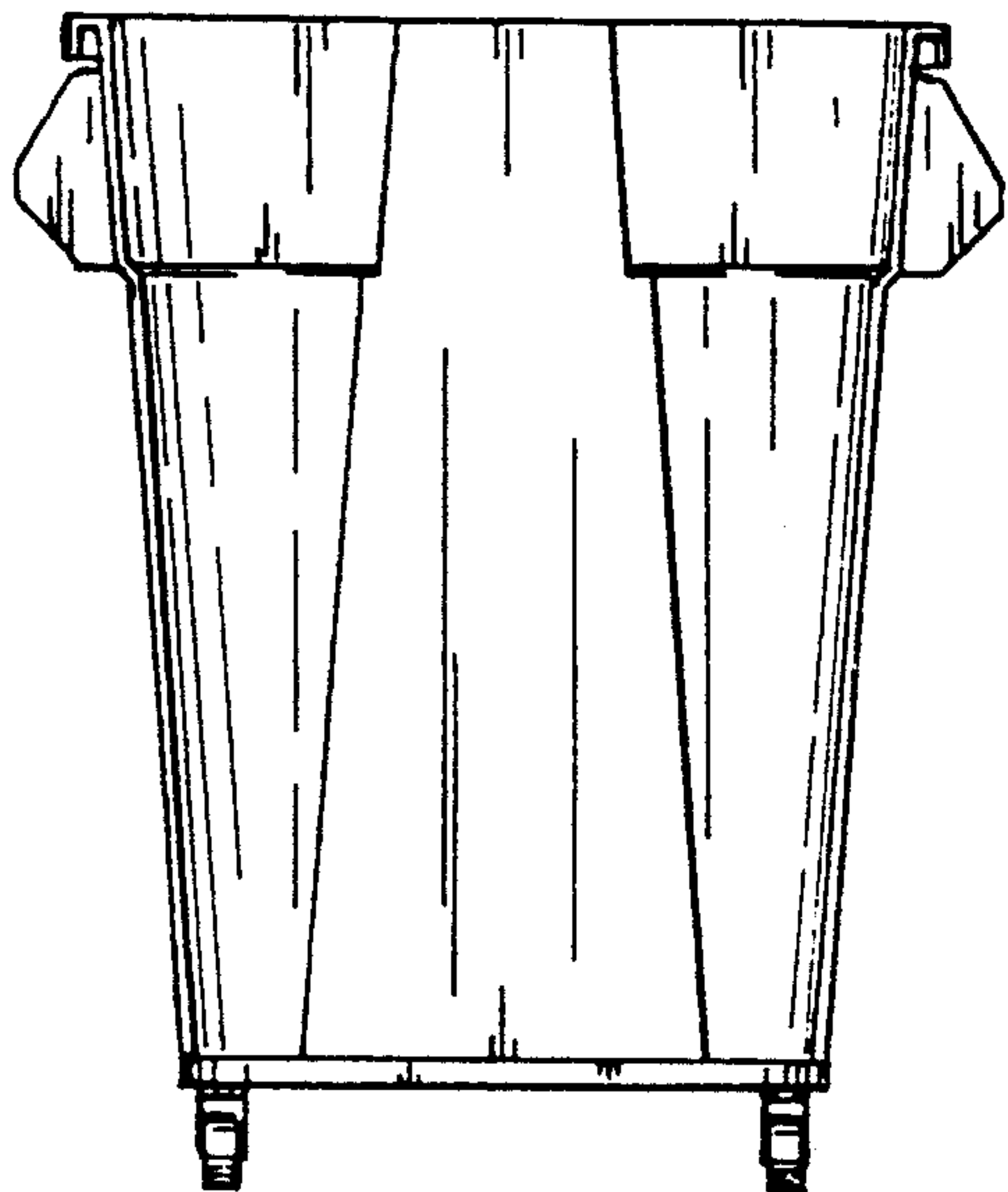


FIG. 1

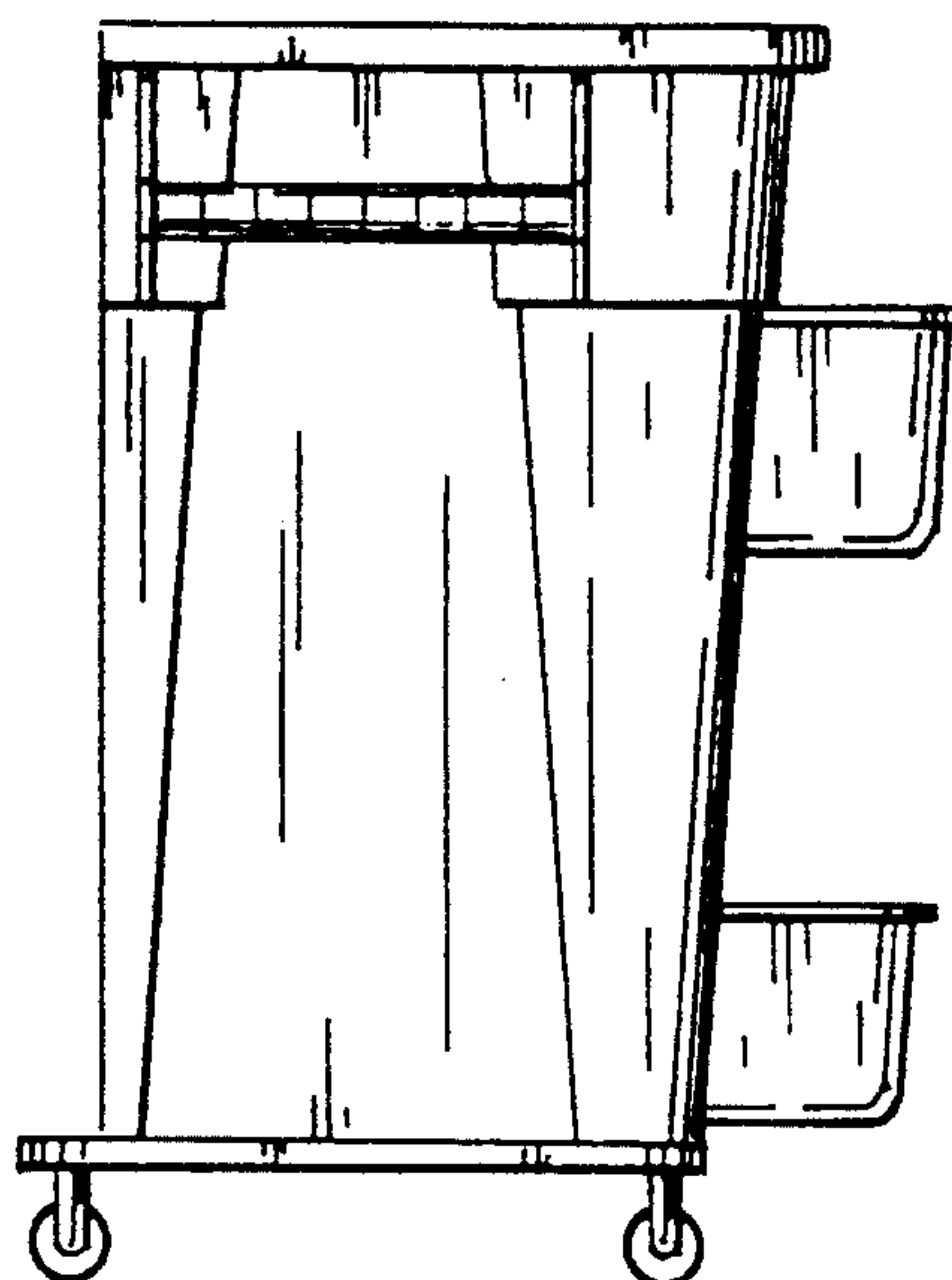


FIG. 2

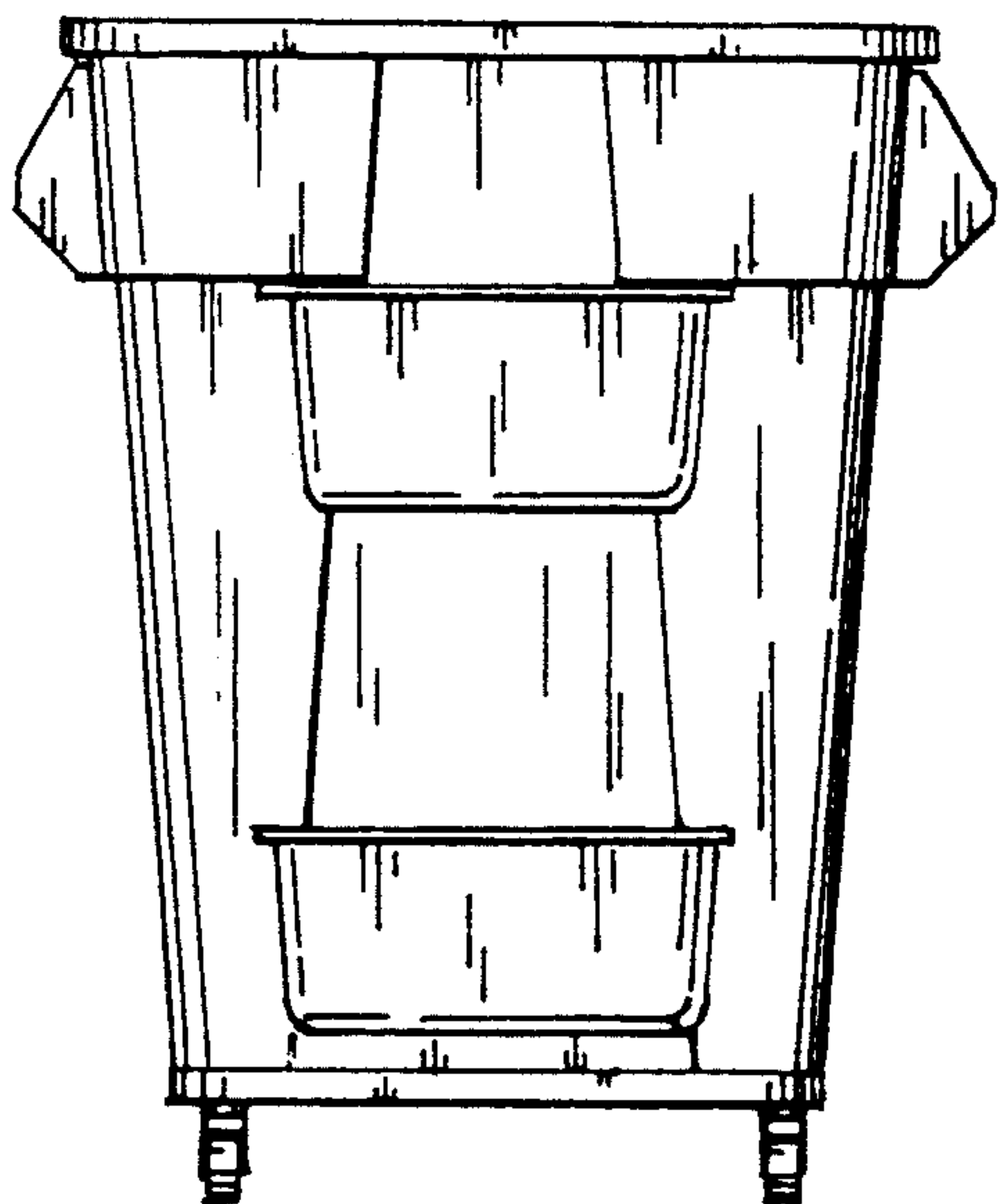


FIG. 3

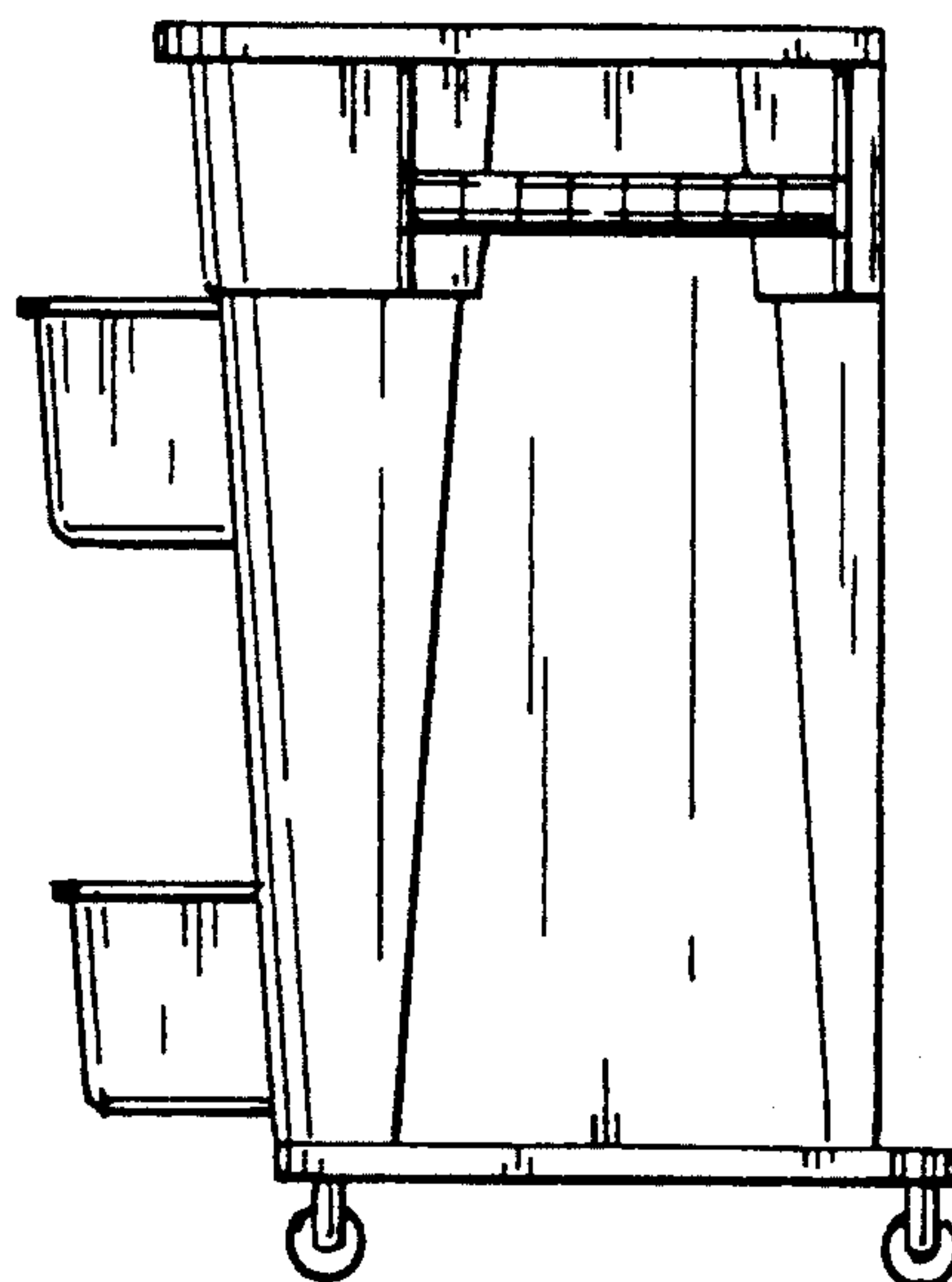


FIG. 4

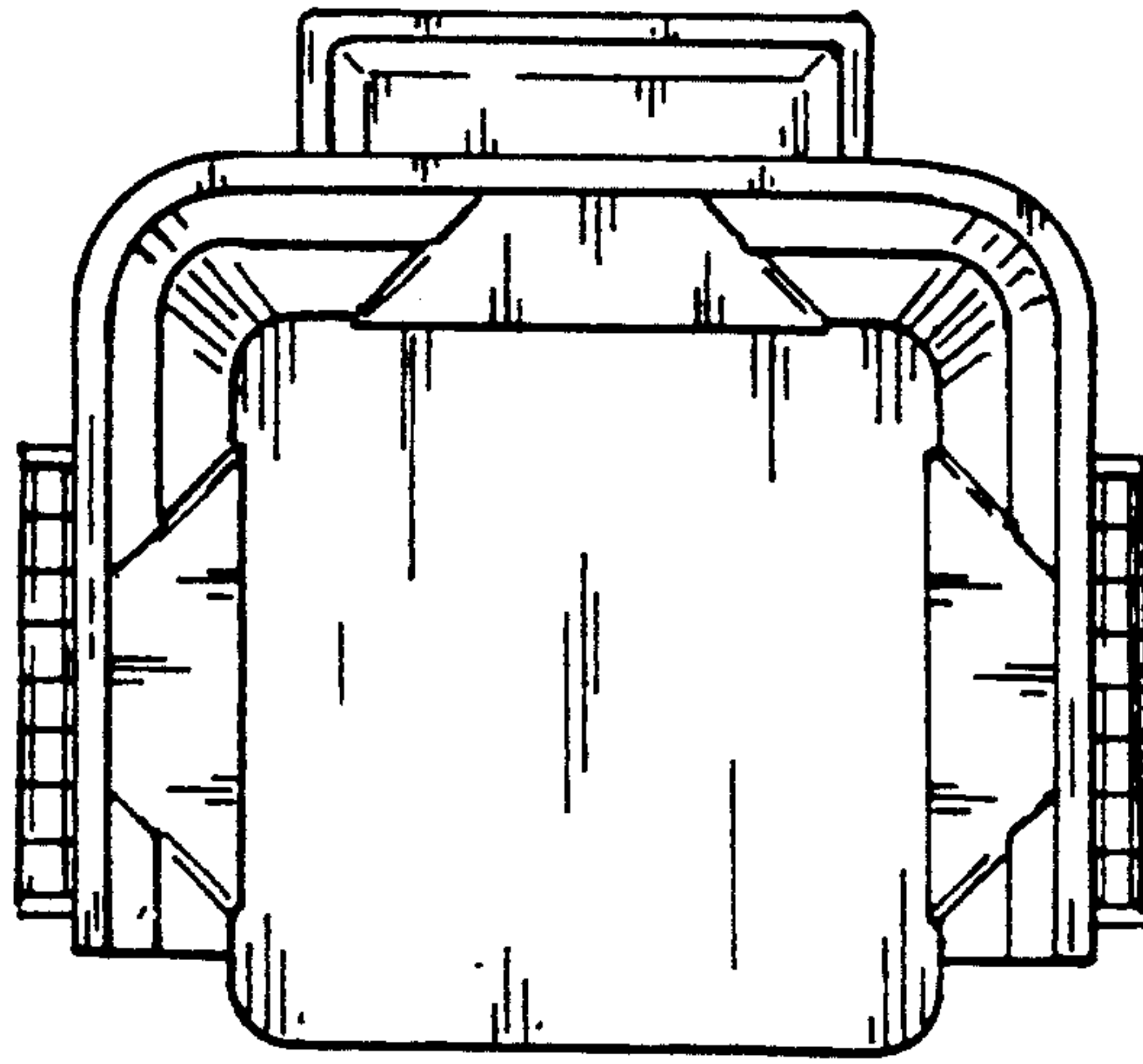


FIG. 5

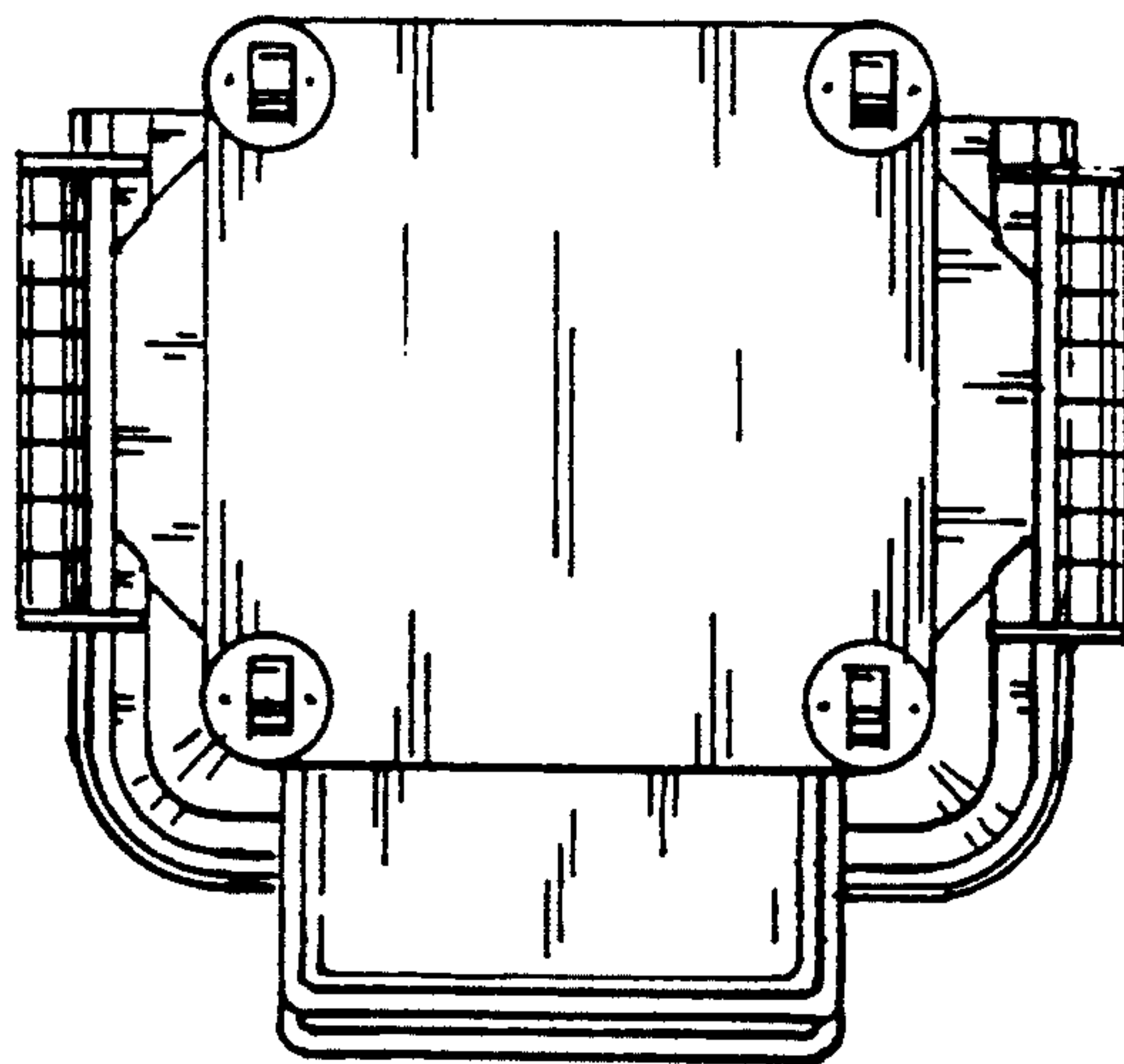


FIG. 6

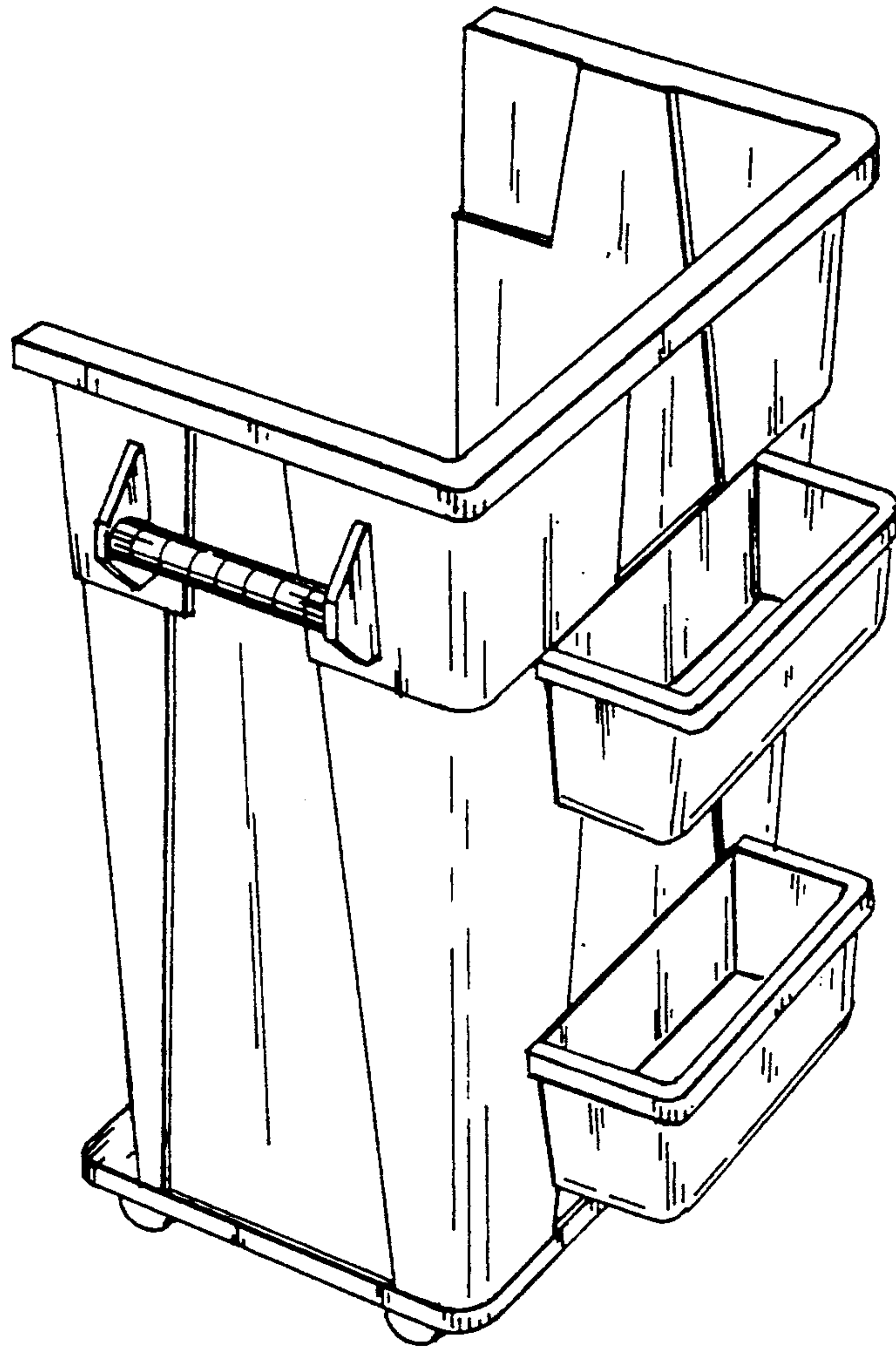


FIG. 7