



US00D345238S

United States Patent [19]

[11] Patent Number: **Des. 345,238**

Berti

[45] Date of Patent: **** Mar. 15, 1994**

[54] DUST PAN

1,678,284 7/1928 Duhsel 15/257.6
2,553,727 5/1951 Schlutz D32/74

[75] Inventor: **Enzo Berti**, Dolo, Italy

[73] Assignee: **The Libman Company**, Arcola, Ill.

[**] Term: **14 Years**

Primary Examiner—Wallace R. Burke
Assistant Examiner—Robin Taylor
Attorney, Agent, or Firm—Marshall, O'Toole, Gerstein,
Murray & Borun

[21] Appl. No.: **825,168**

[22] Filed: **Jan. 24, 1992**

[52] U.S. Cl. **D32/74**

[58] Field of Search 15/257.1, 257.2, 257.3,
15/257.4, 257.5, 257.6, 257.7, 257.8, 257.9;
D32/74

[57] CLAIM

The ornamental design for a dust pan, as shown and described.

DESCRIPTION

FIG. 1 is a top, front and left side perspective view of a dust pan showing my new design;
FIG. 2 is a front elevational view thereof;
FIG. 3 is a rear elevational view thereof;
FIG. 4 is a right side elevational view thereof;
FIG. 5 is a top view thereof; and,
FIG. 6 is a bottom view thereof.

[56] References Cited

U.S. PATENT DOCUMENTS

D. 267,592 1/1983 Payne, Jr. D32/74
D. 335,011 4/1993 Feldman D32/74
1,493,989 5/1924 Kielberg 15/257.1

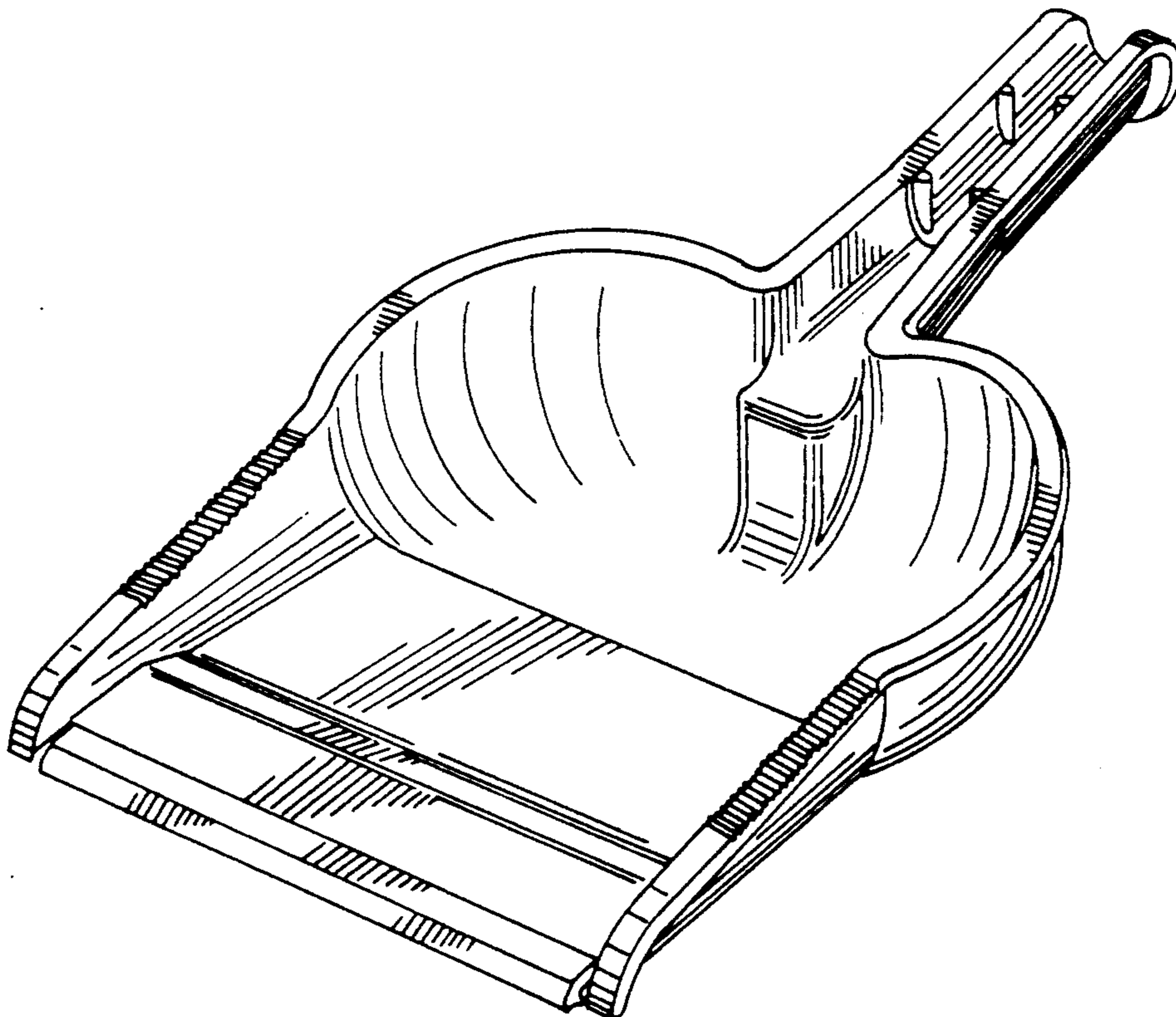


FIG. 1

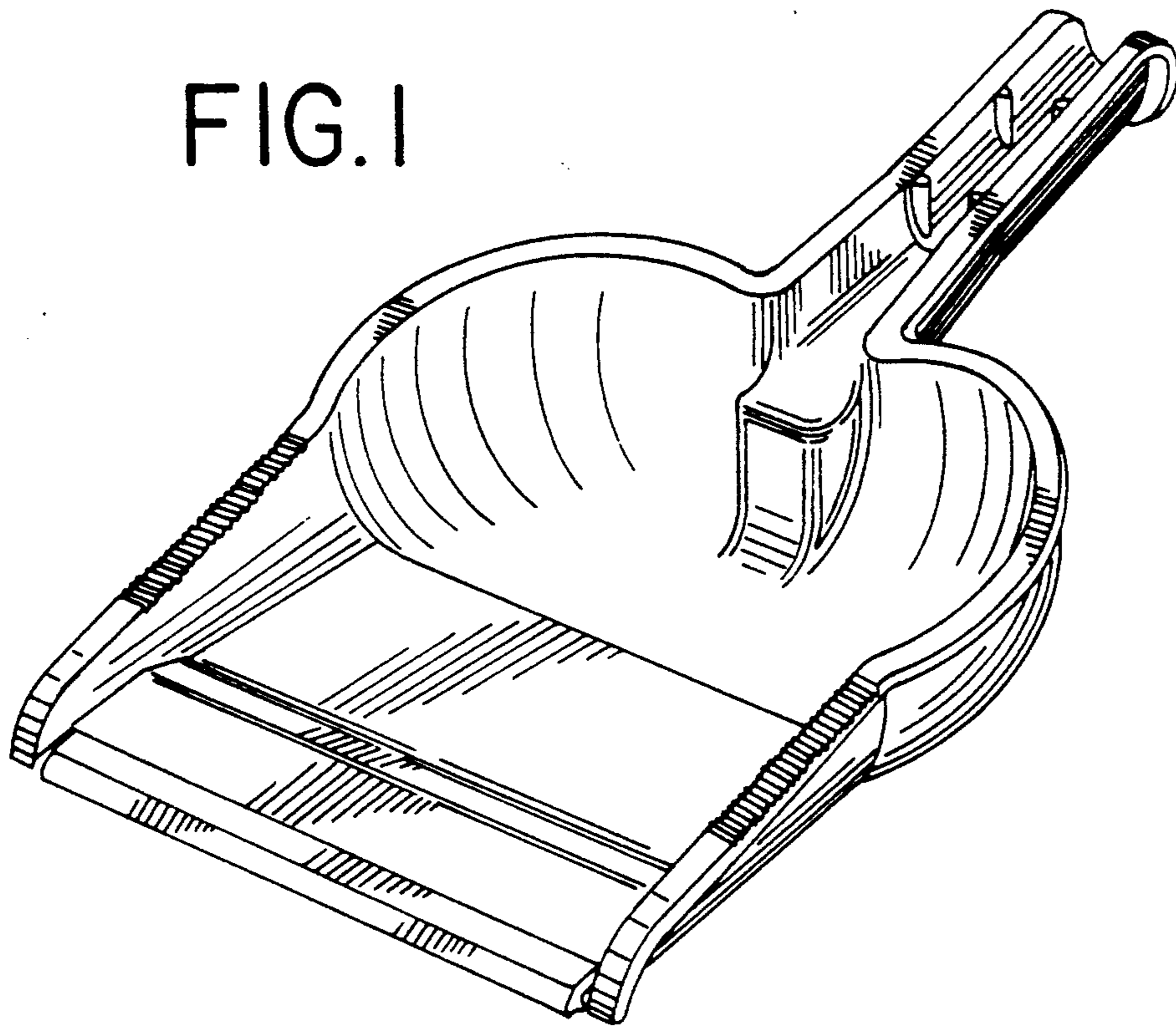


FIG. 2

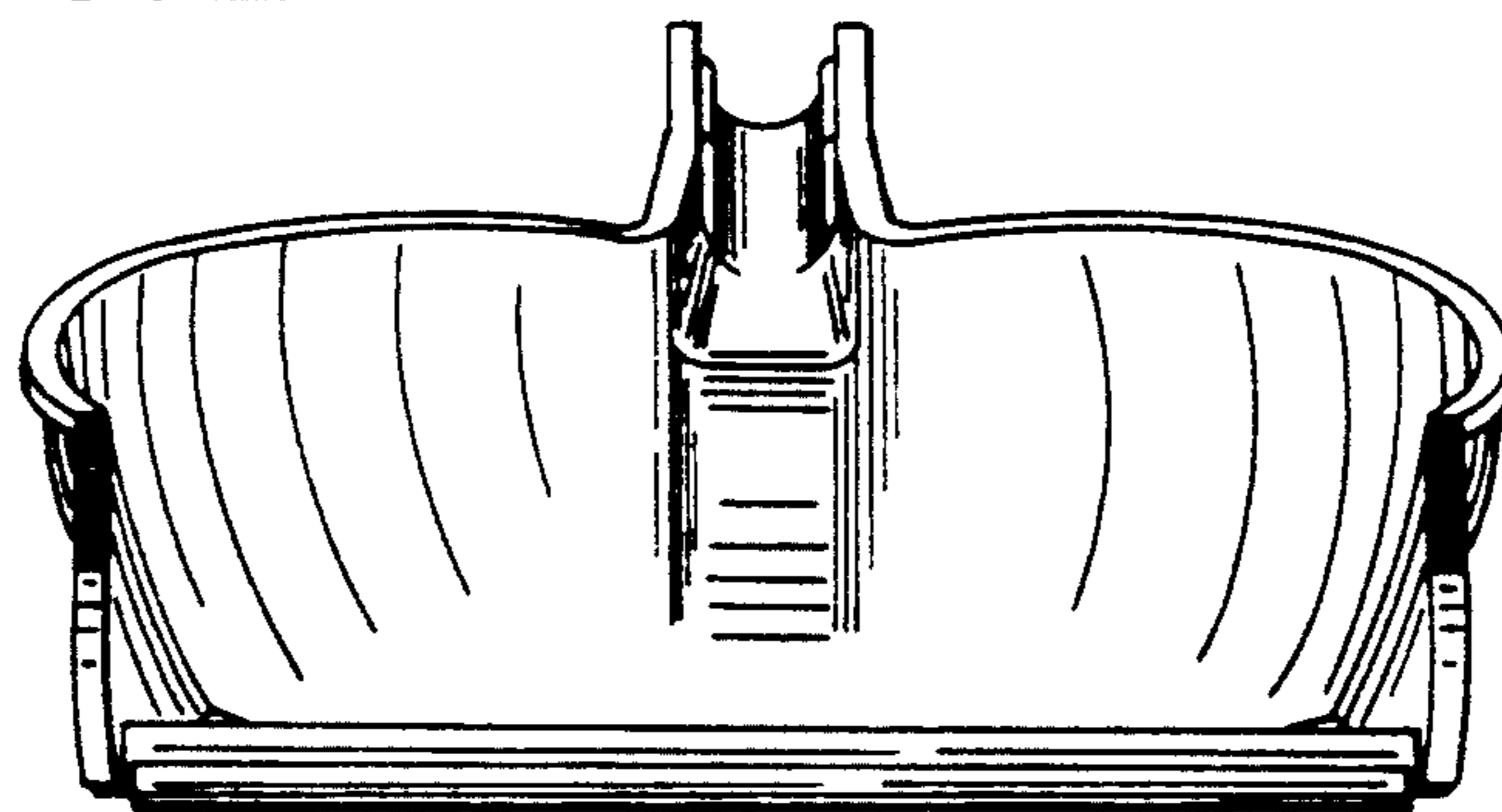


FIG. 3

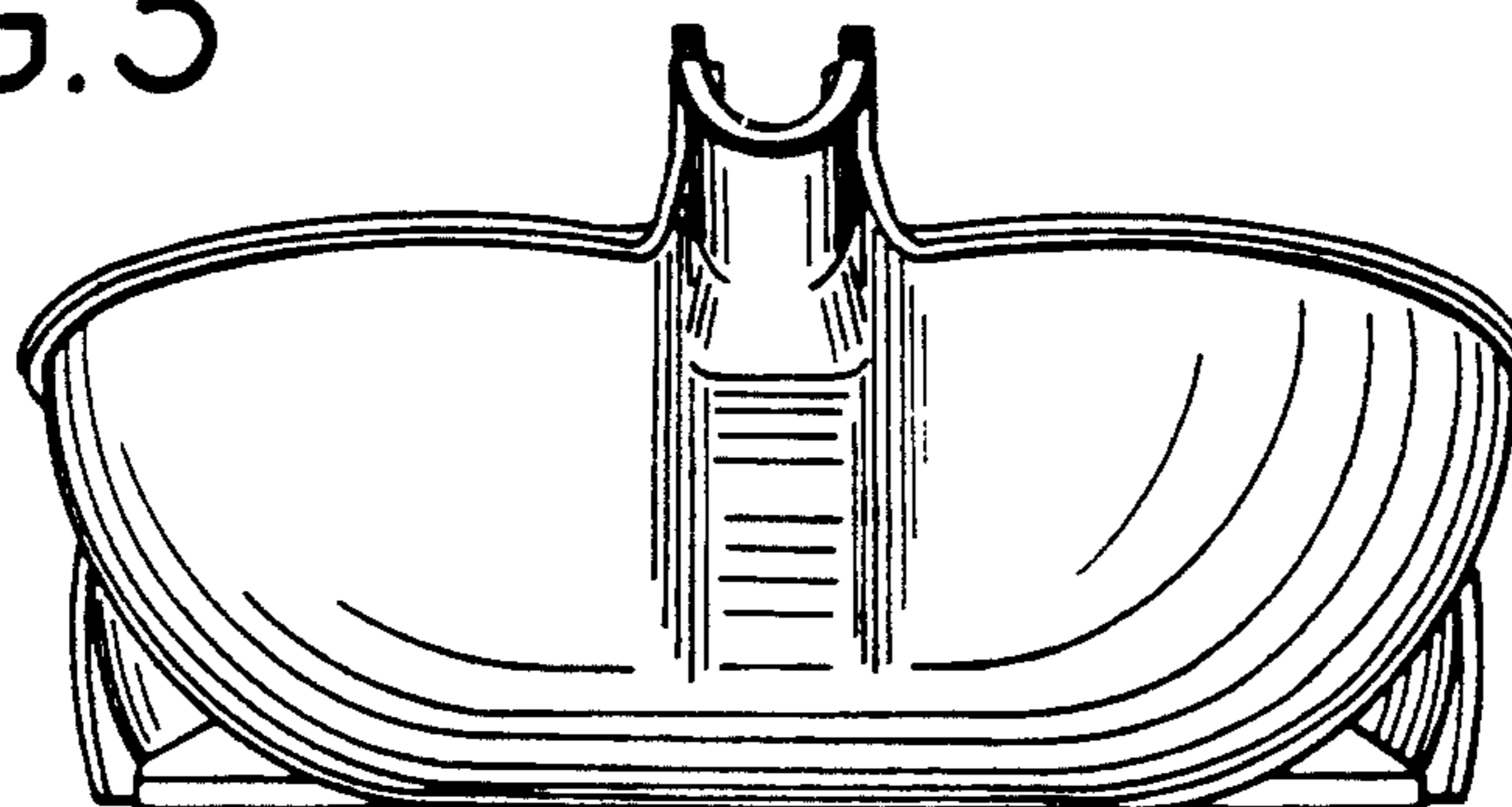


FIG.4

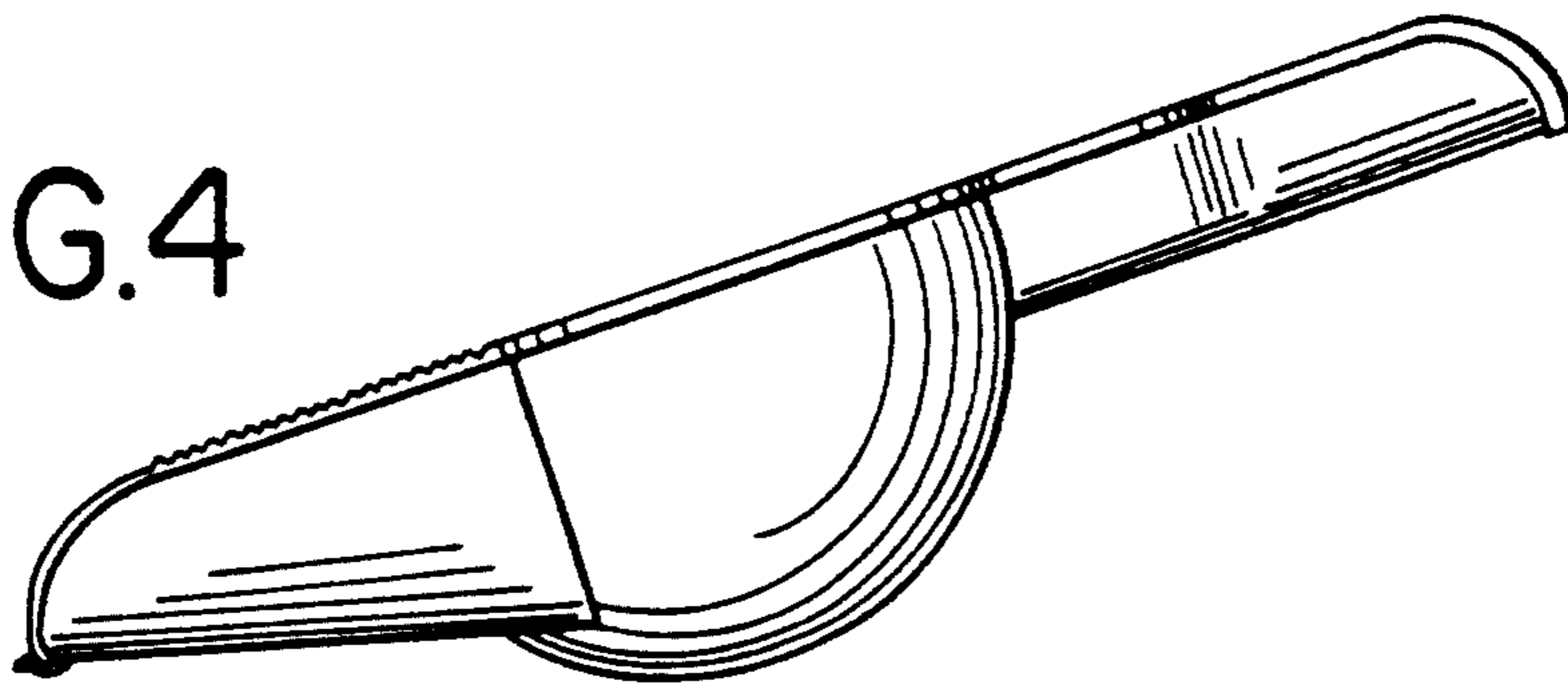


FIG.5

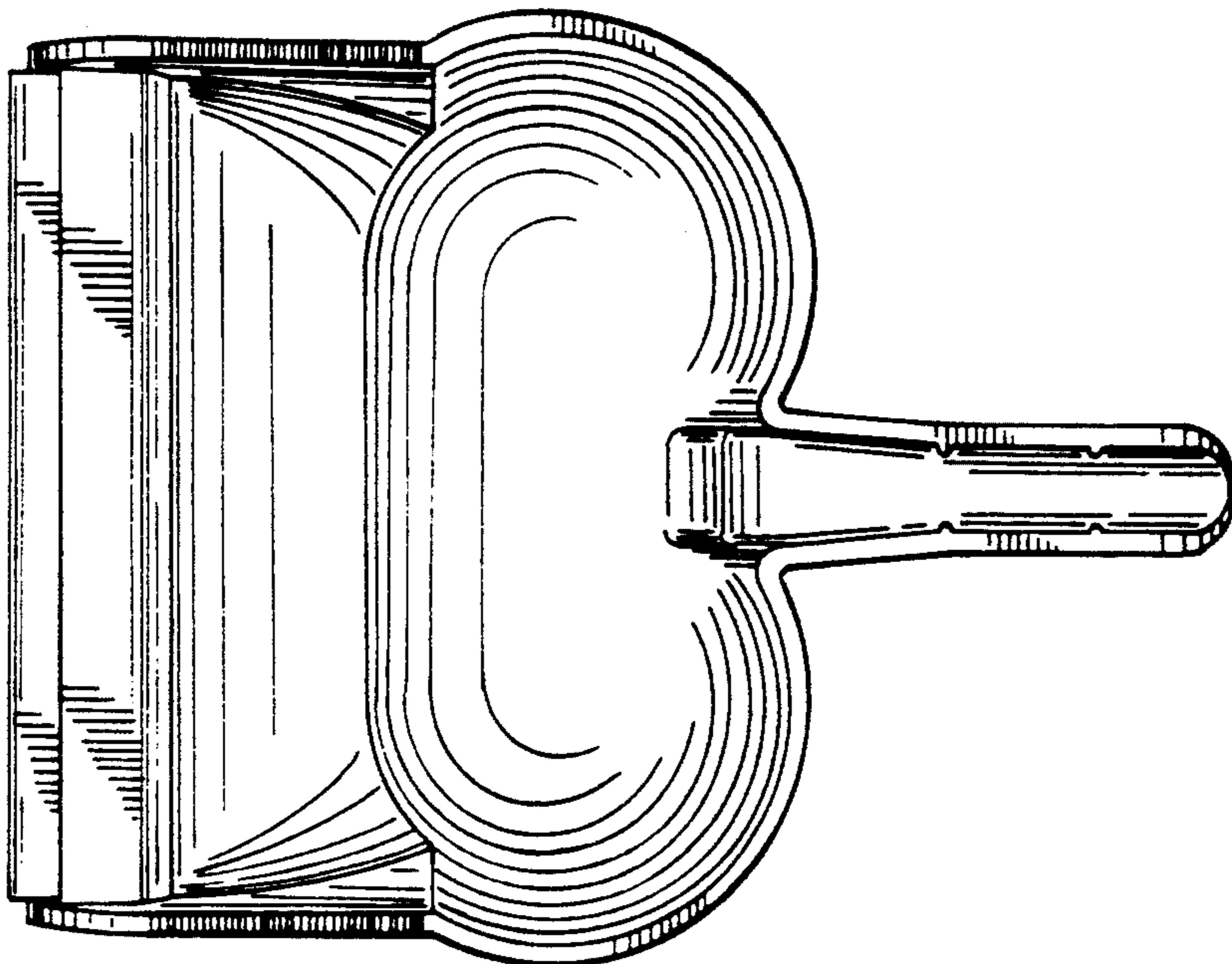


FIG.6

