



US00D345236S

# United States Patent [19]

[11] Patent Number: **Des. 345,236**

Chen

[45] Date of Patent: **\*\* Mar. 15, 1994**

## [54] MOPS WRINGER

[76] Inventor: **Sin-Hsiung Chen**, No. 26-1, Lane 737, Jong-Jeng N. Road, Yung-Kang Shiang, Tainan Hsien, Taiwan

[\*\*] Term: **14 Years**

[21] Appl. No.: **907,120**

[22] Filed: **Jun. 29, 1992**

[52] U.S. Cl. .... **D32/53**

[58] Field of Search ..... 15/260, 262, 264; **D32/53**

### [56] **References Cited**

#### **U.S. PATENT DOCUMENTS**

D. 222,684 11/1971 Tarrasa ..... D32/53

D. 248,610 7/1978 Schwartz ..... D32/53

#### **FOREIGN PATENT DOCUMENTS**

2036622 3/1979 Fed. Rep. of Germany ..... 15/260

## OTHER PUBLICATIONS

Rubbermaid Food Service catalog 1981 p. 34 item 6123-Mopwringer.

*Primary Examiner*—Wallace R. Burke

*Assistant Examiner*—Robin Taylor

## [57] **CLAIM**

The ornamental design for a combined portable mop bucket and wringer, as shown.

## **DESCRIPTION**

FIG. 1 is a top, front, and right side perspective view of a combined portable mop bucket and wringer showing my new design;

FIG. 2 is a front elevational view thereof;

FIG. 3 is a rear elevational view thereof;

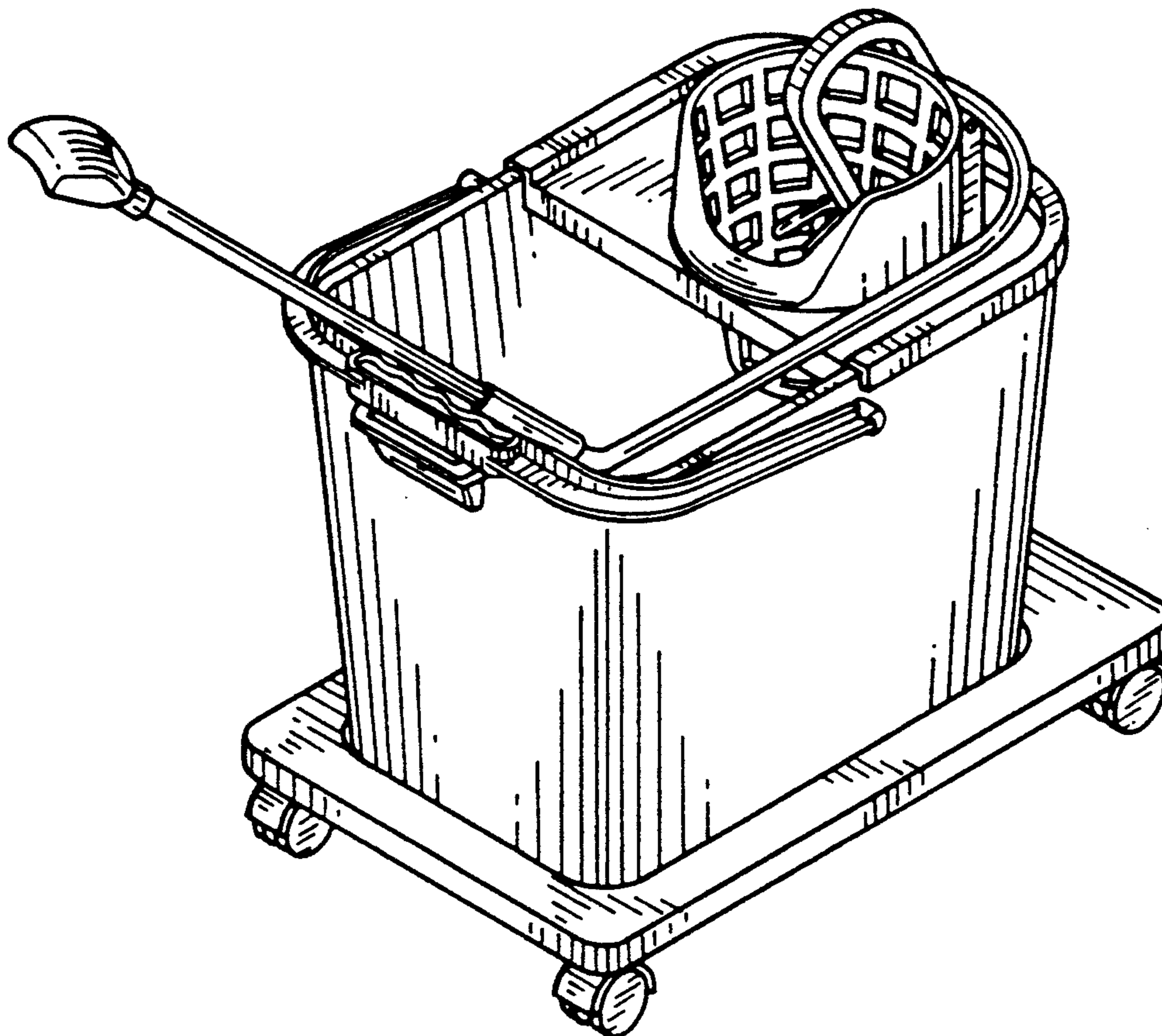
FIG. 4 is a left side elevational view thereof;

FIG. 5 is a right side elevational view thereof;

FIG. 6 is a top plan view thereof;

FIG. 7 is a bottom plan view thereof; and,

FIG. 8 is a perspective view showing the pulling handle in a collapsed position.



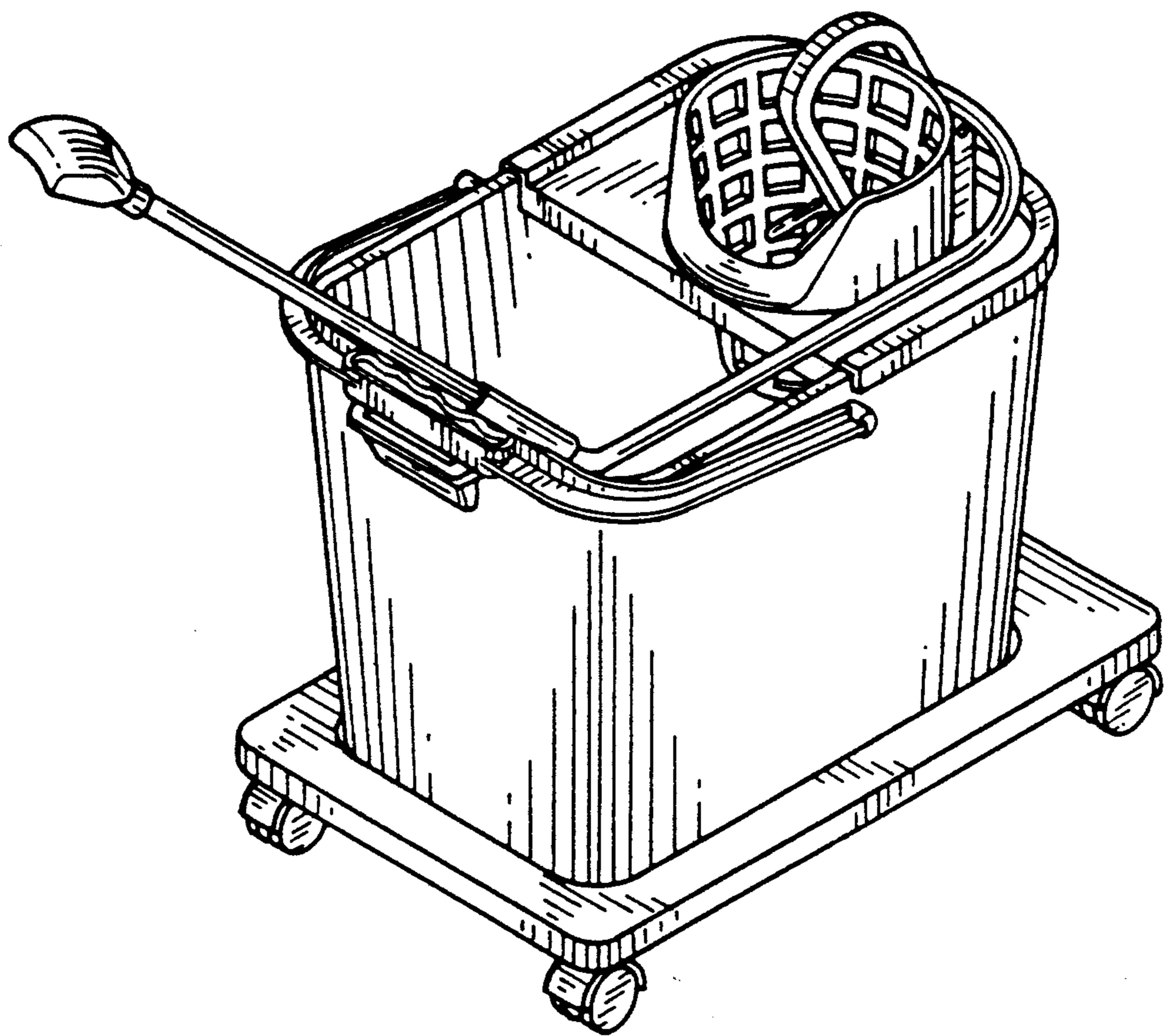


FIG. 1

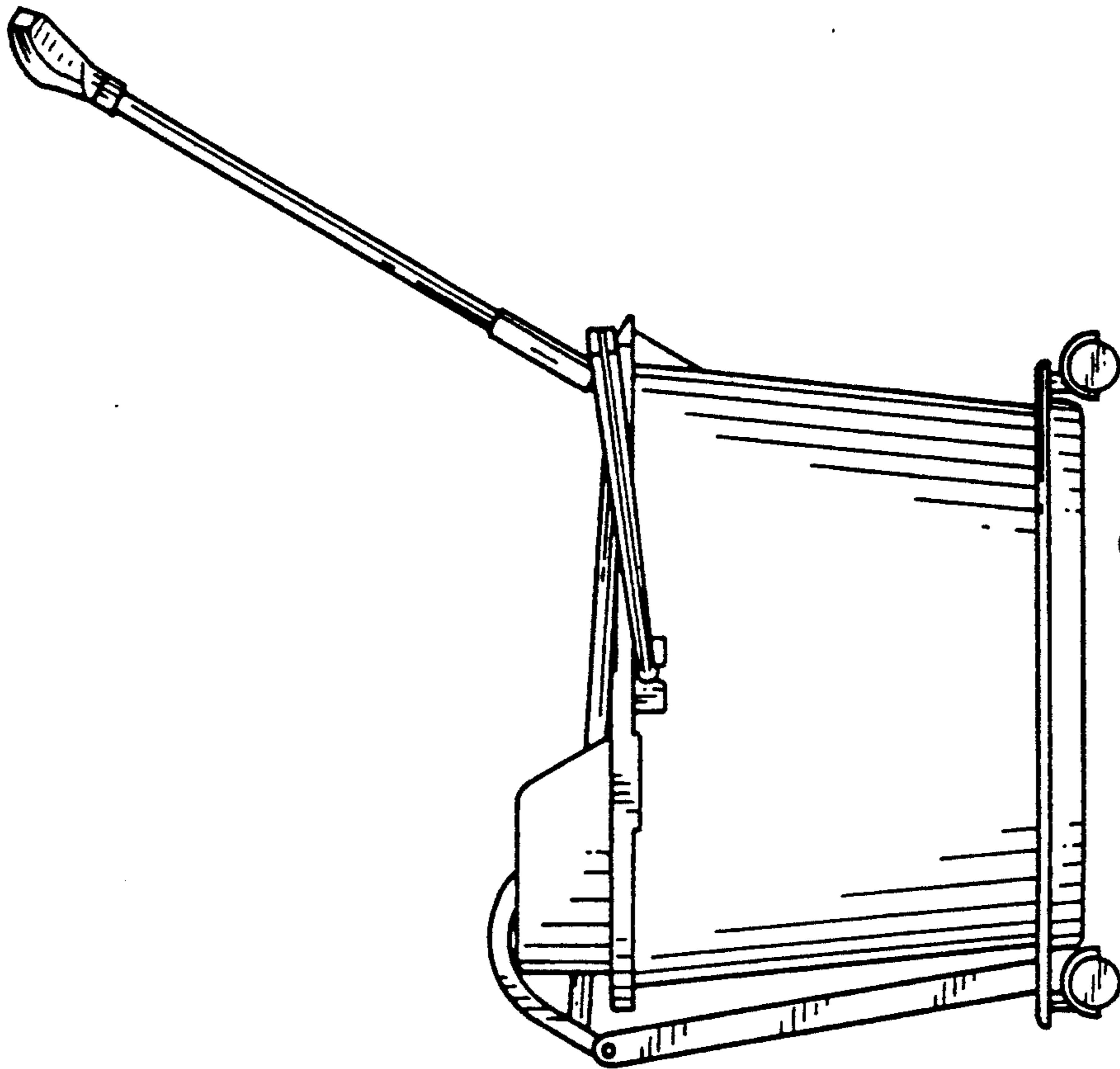


FIG. 3

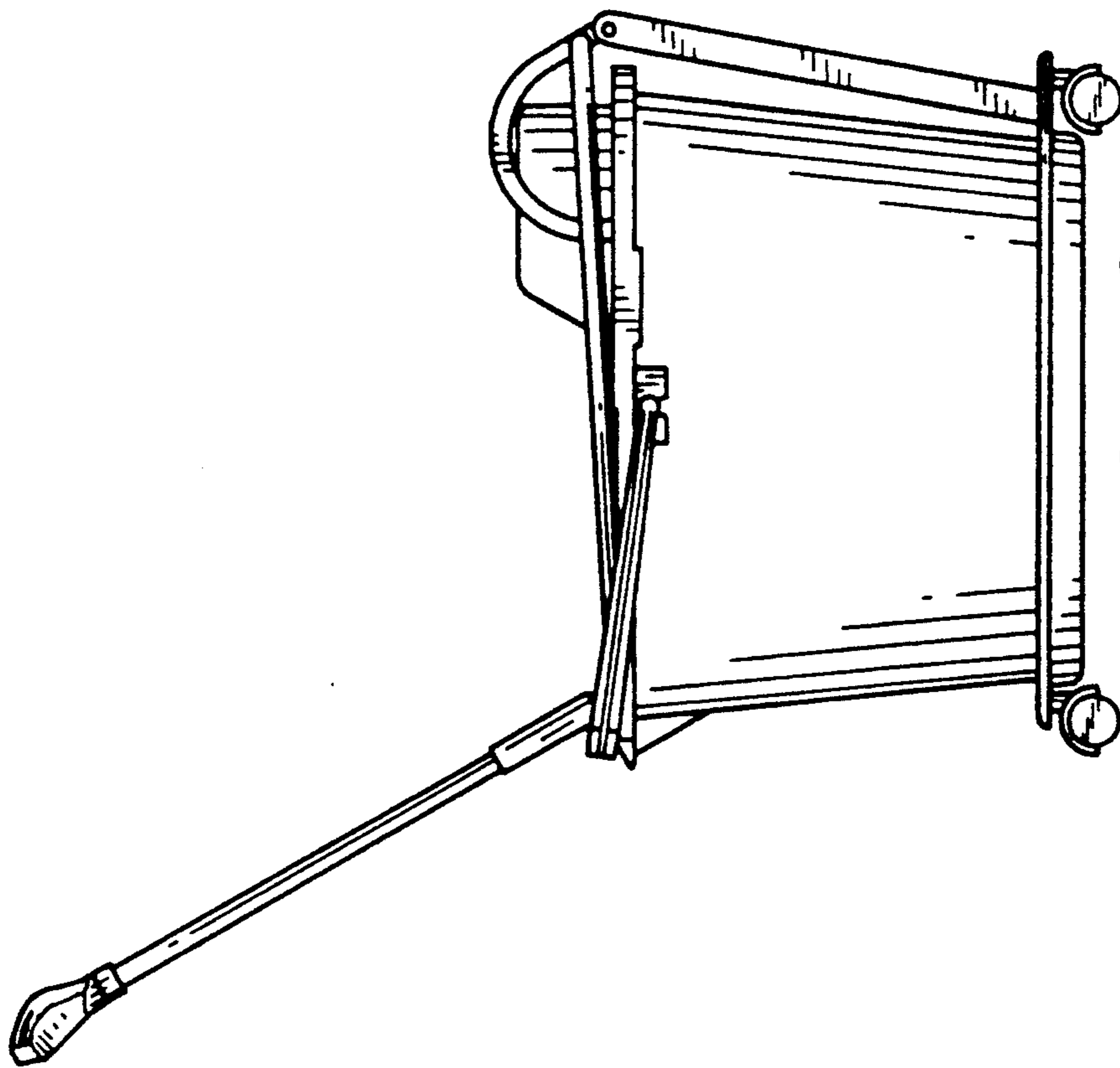


FIG. 2

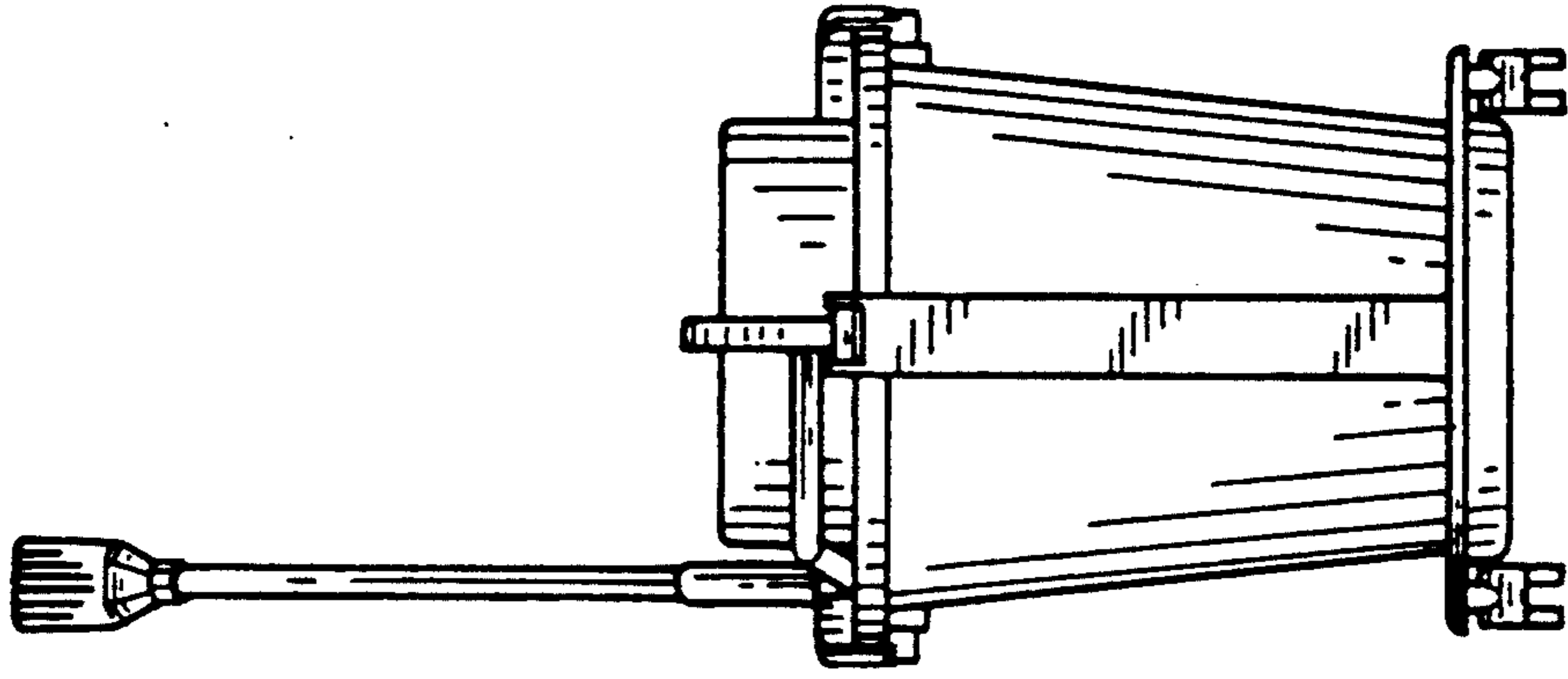


FIG. 5

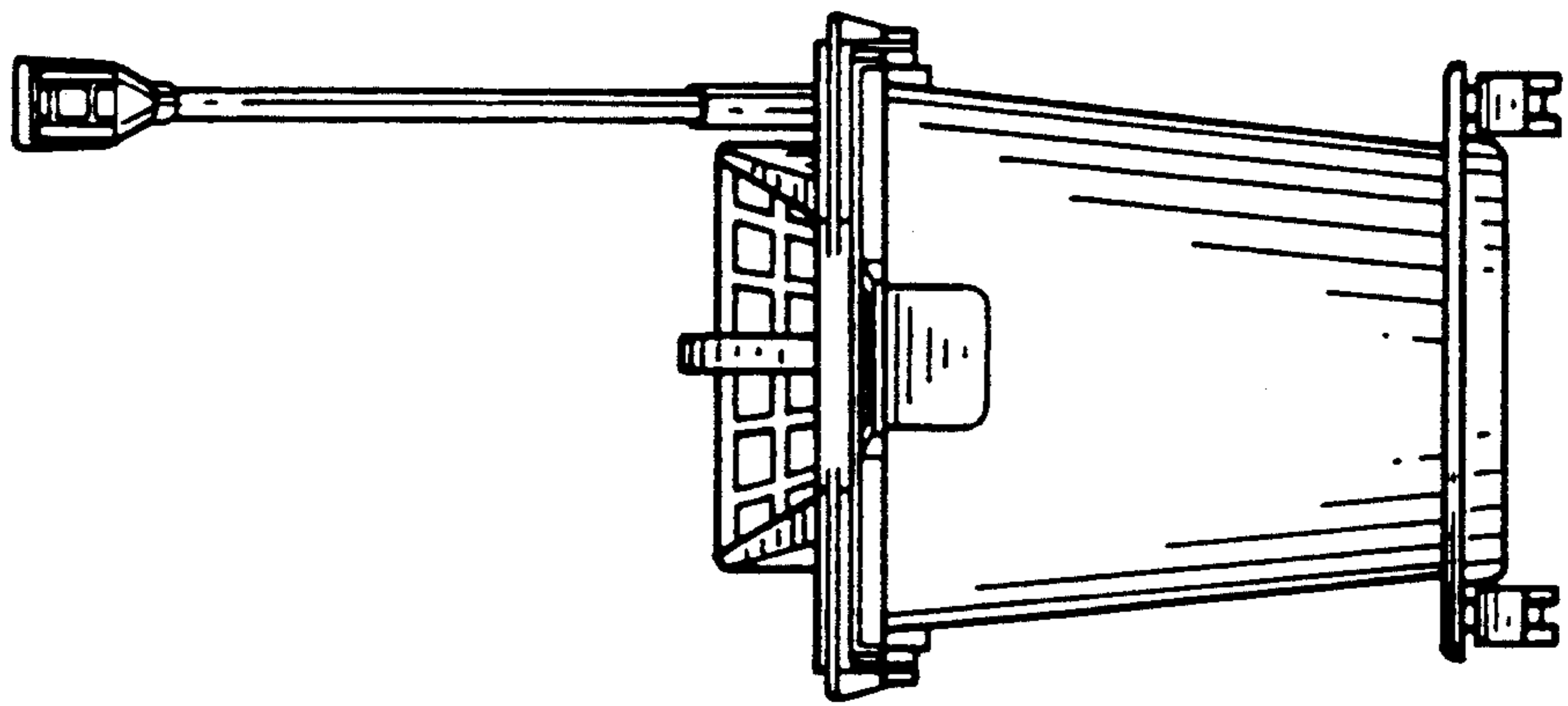


FIG. 4

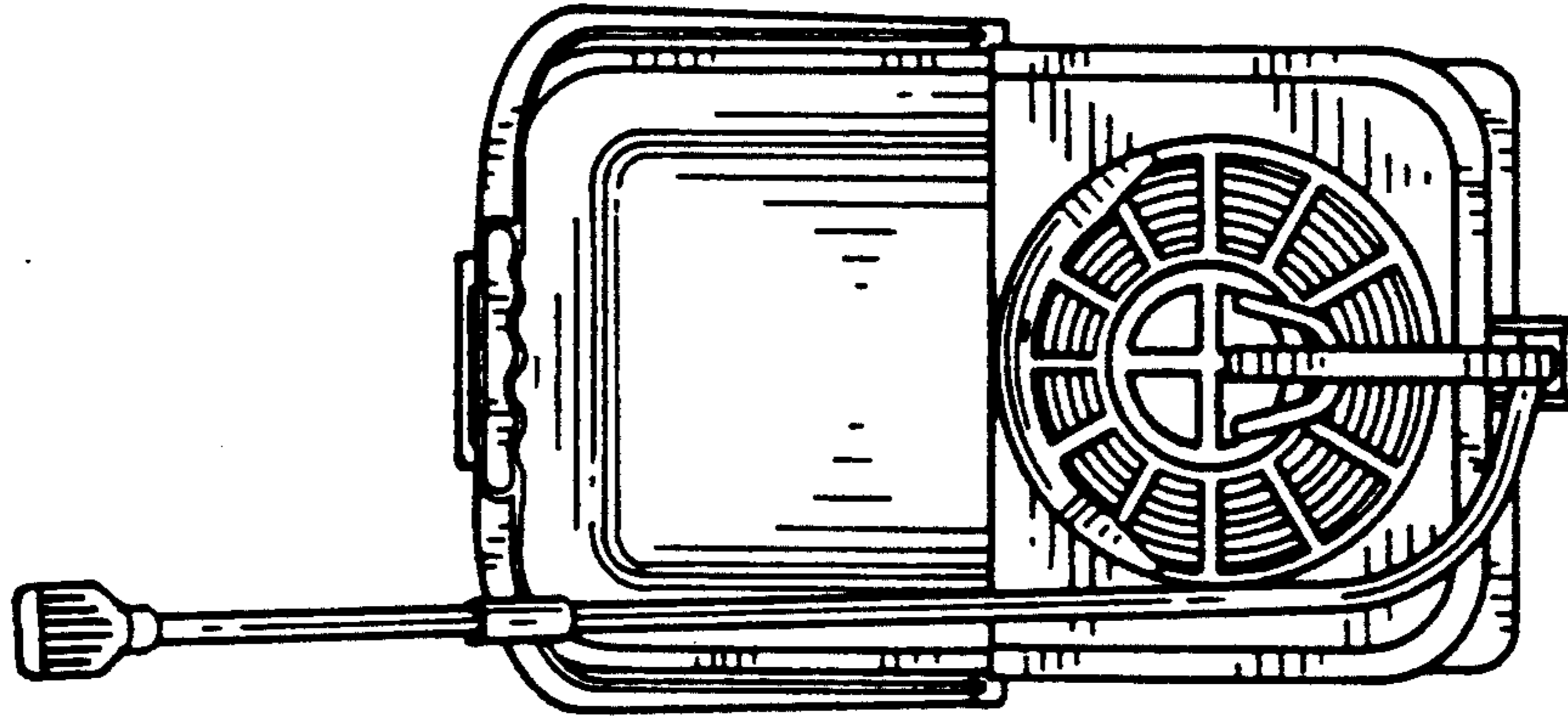


FIG. 6

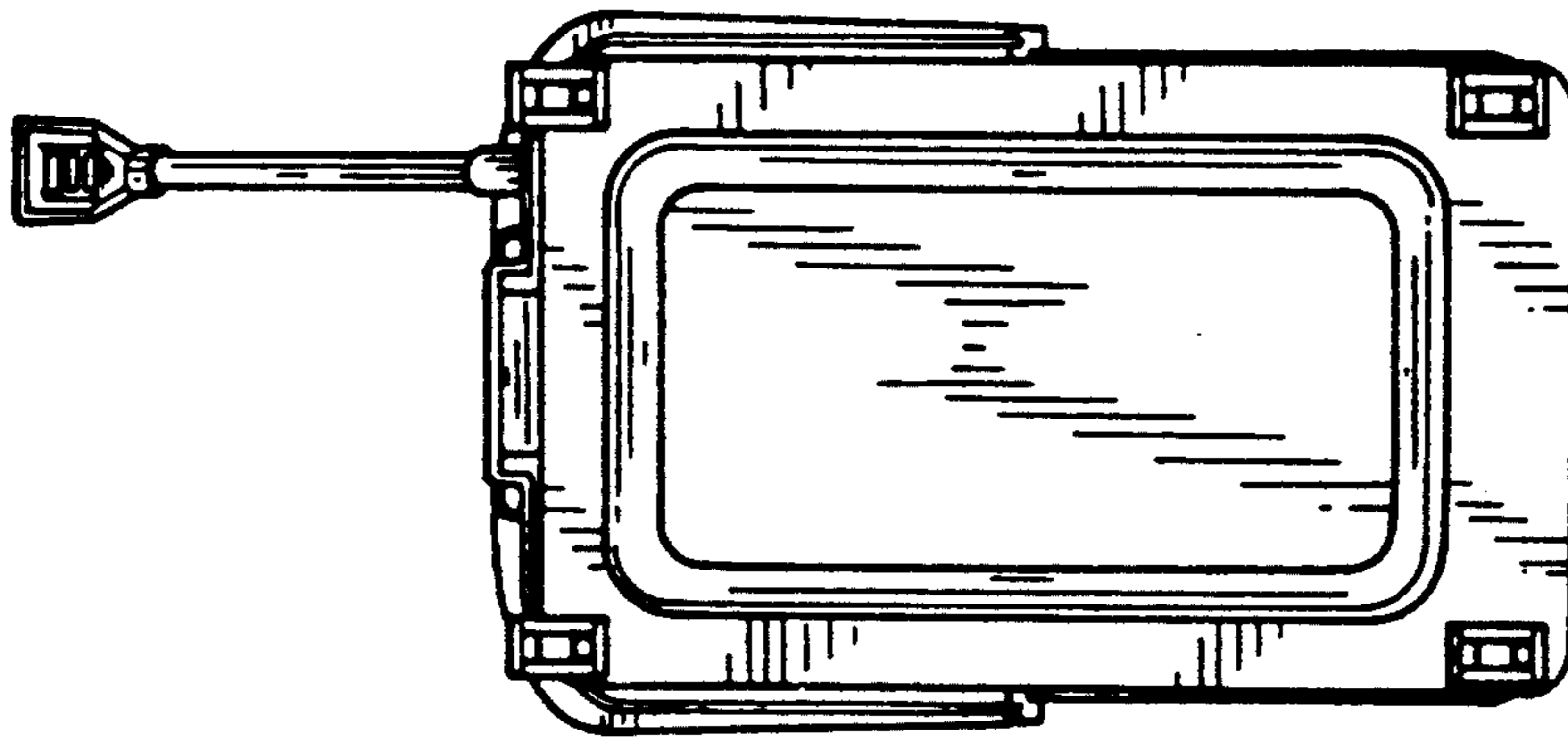


FIG. 7

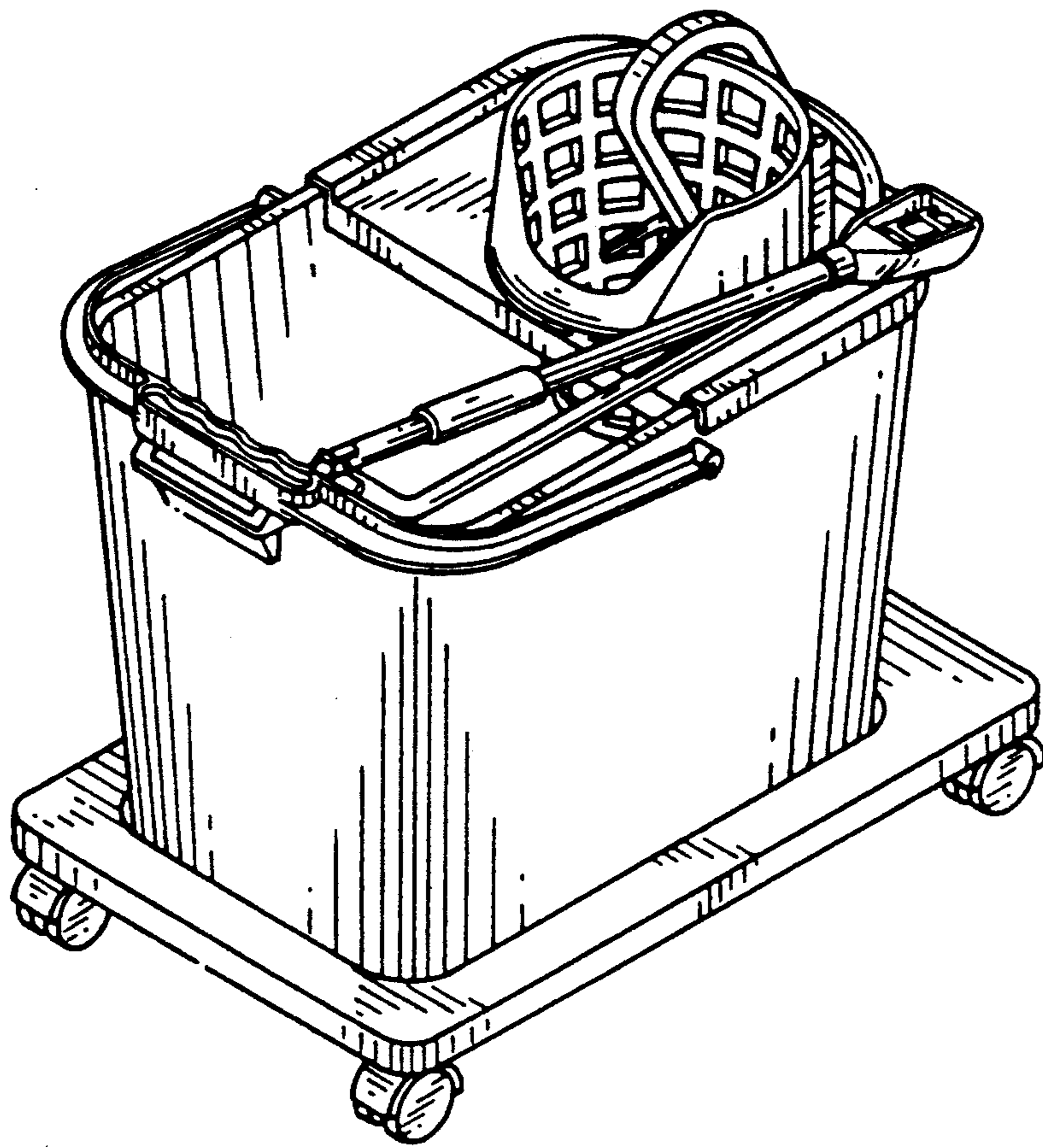


FIG. 8