



US00D345231S

# United States Patent [19]

[11] Patent Number: **Des. 345,231**

**Kramer**

[45] Date of Patent: **\*\* Mar. 15, 1994**

[54] **MULTI-SHADE ARC BOOM LAMP**

*Attorney, Agent, or Firm*—Timothy T. Tyson

[76] Inventor: **Barry L. Kramer**, 6180 S. St. Andrews Pl., Los Angeles, Calif. 90047

[57] **CLAIM**

The ornamental design for a multi-shade arc boom lamp, as shown and described.

[\*\*] Term: **14 Years**

**DESCRIPTION**

[21] Appl. No.: **9,776**

FIG. 1 is a front elevational view of a multishade arc boom lamp showing my new design;

[22] Filed: **Jun. 24, 1993**

FIG. 2 is a right side elevational view of FIG. 1, the left side elevational view being the mirror image thereof;

**Related U.S. Application Data**

[63] Continuation of Ser. No. 884,959, May 18, 1992, Pat. No. D 341,000.

FIG. 3 is a top plan view of FIG. 1;

[52] U.S. Cl. .... **D26/102**

FIG. 4 is a bottom plan view of FIG. 1;

[58] Field of Search ..... 362/410-414; D26/93, 102-112, 128-136

FIG. 5 is a rear elevational view of FIG. 1;

[56] **References Cited**

**PUBLICATIONS**

Best Catalog, 1988/89, p. 165, Arc Floor Lamp #14, (gr. 2900 Floor Lamp Box).

FIG. 6 is an enlarged top plan view of a single shade of FIG. 1;

Home Lighting & Accessories, Jul. 1989, p. 109, Easy-lite Arc Floor Lamp.

FIG. 7 is an enlarged side elevational view of a single shade of FIG. 1;

Nessen Lamps Inc. Catalog, Jun. 1984, price list insert Reflector #NAR86.

FIG. 8 is a bottom plan view of a single shade of FIG. 1;

*Primary Examiner*—Susan J. Lucas

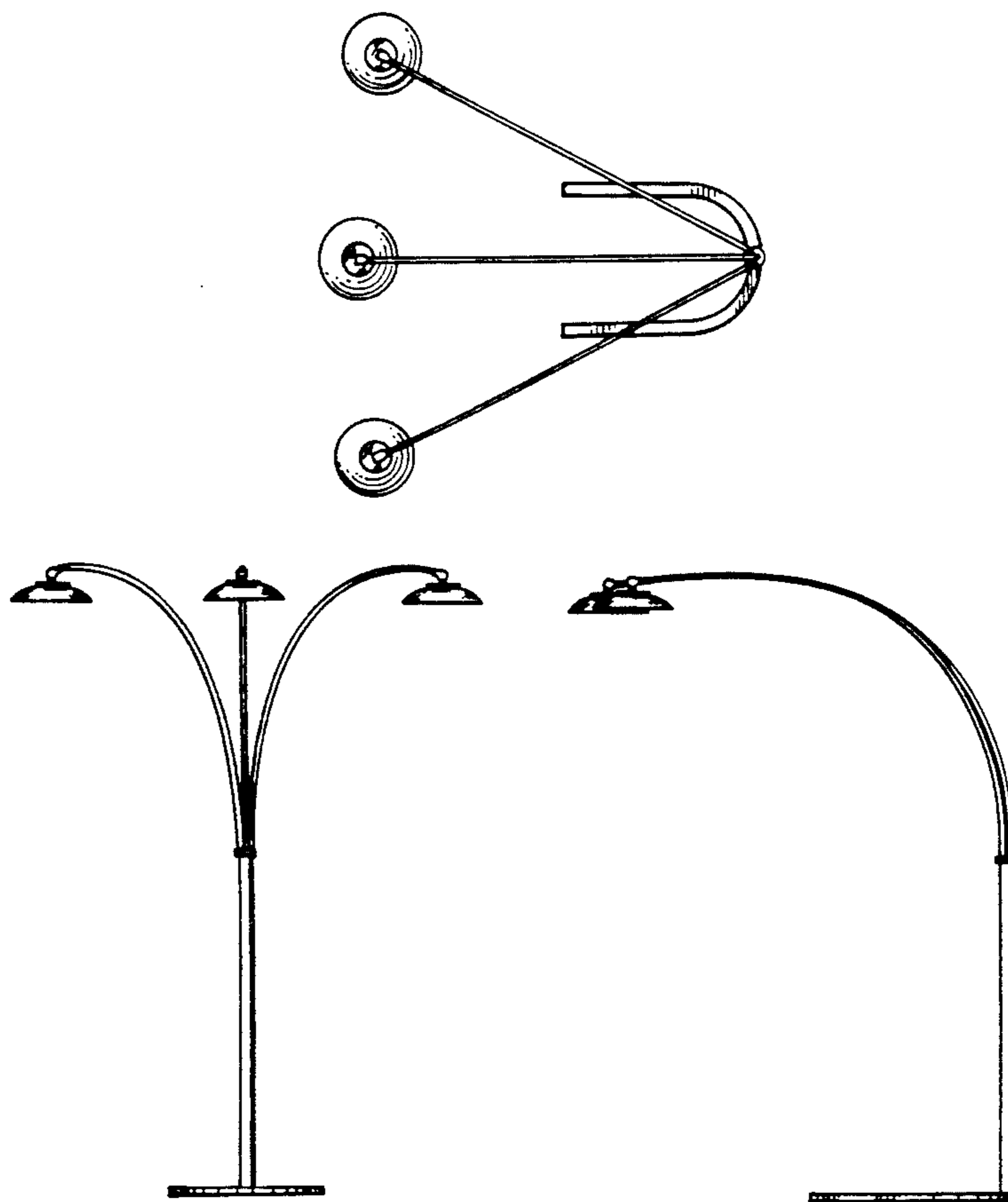
FIG. 9 is a front elevational view of a second embodiment thereof;

FIG. 10 is a right side elevational view of FIG. 9, the left side elevational view being the mirror image thereof;

FIG. 11 is a top plan view of FIG. 9;

FIG. 12 is a bottom plan view of FIG. 9; and,

FIG. 13 is a rear elevational view of FIG. 9.



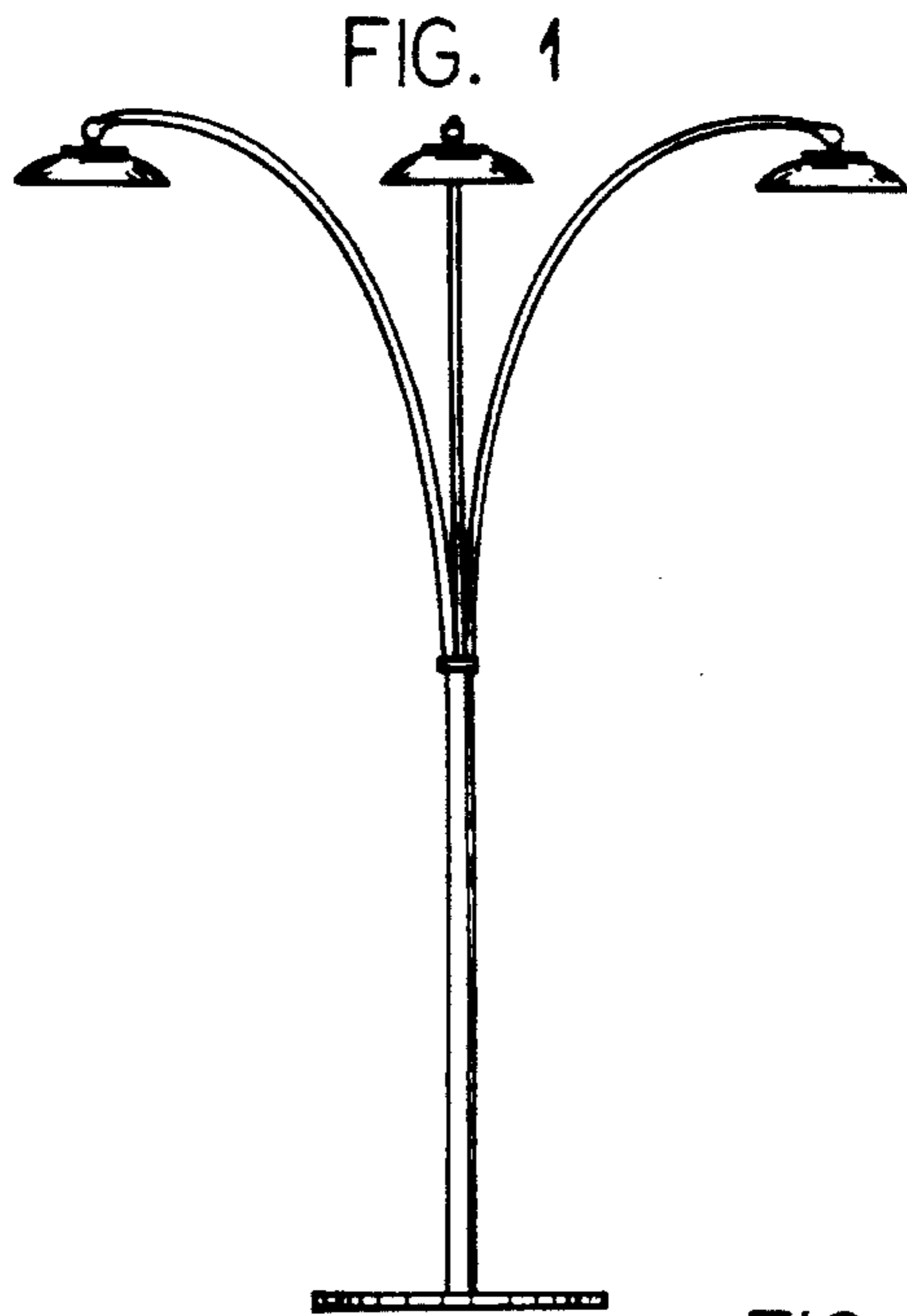


FIG. 1

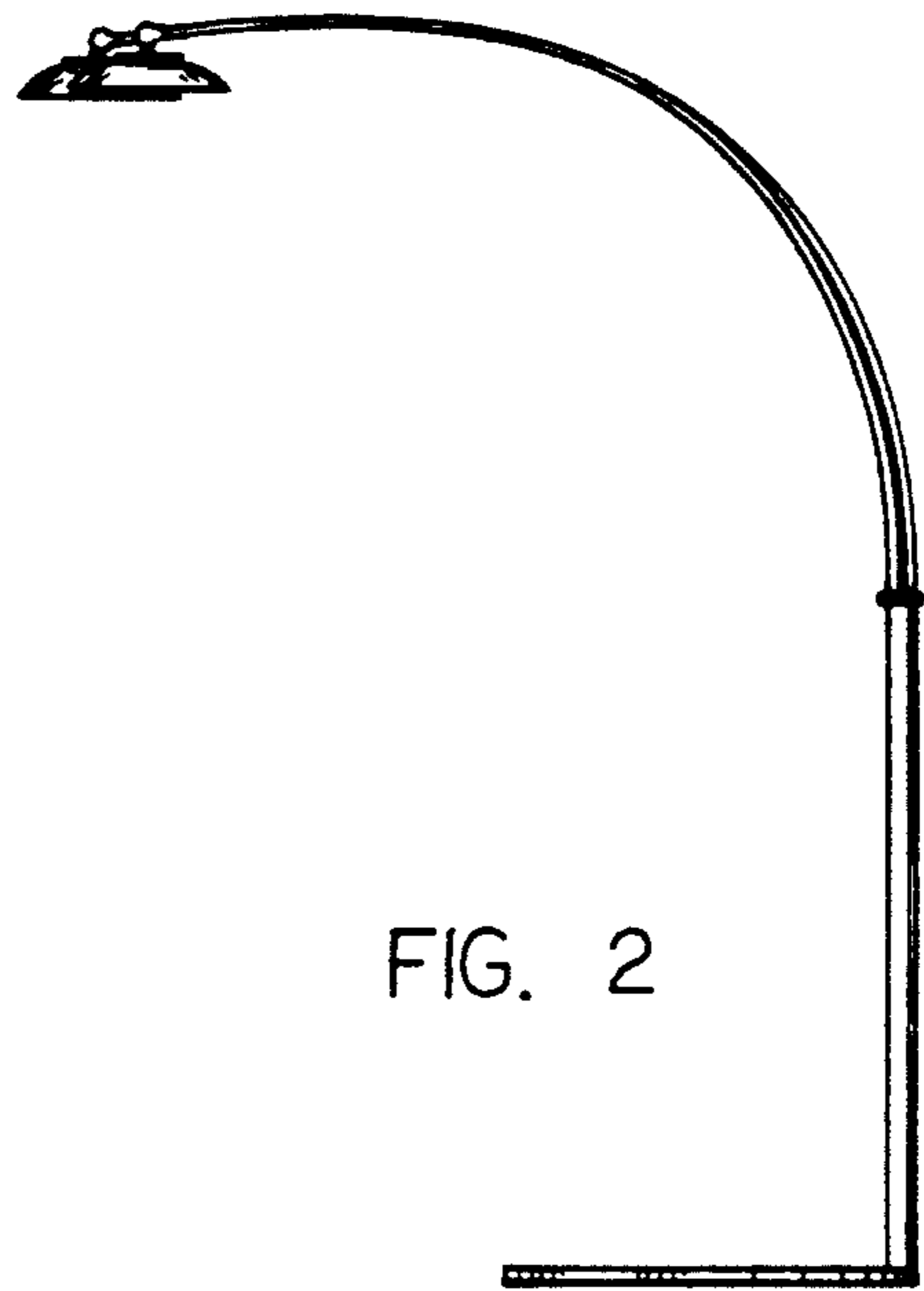


FIG. 2

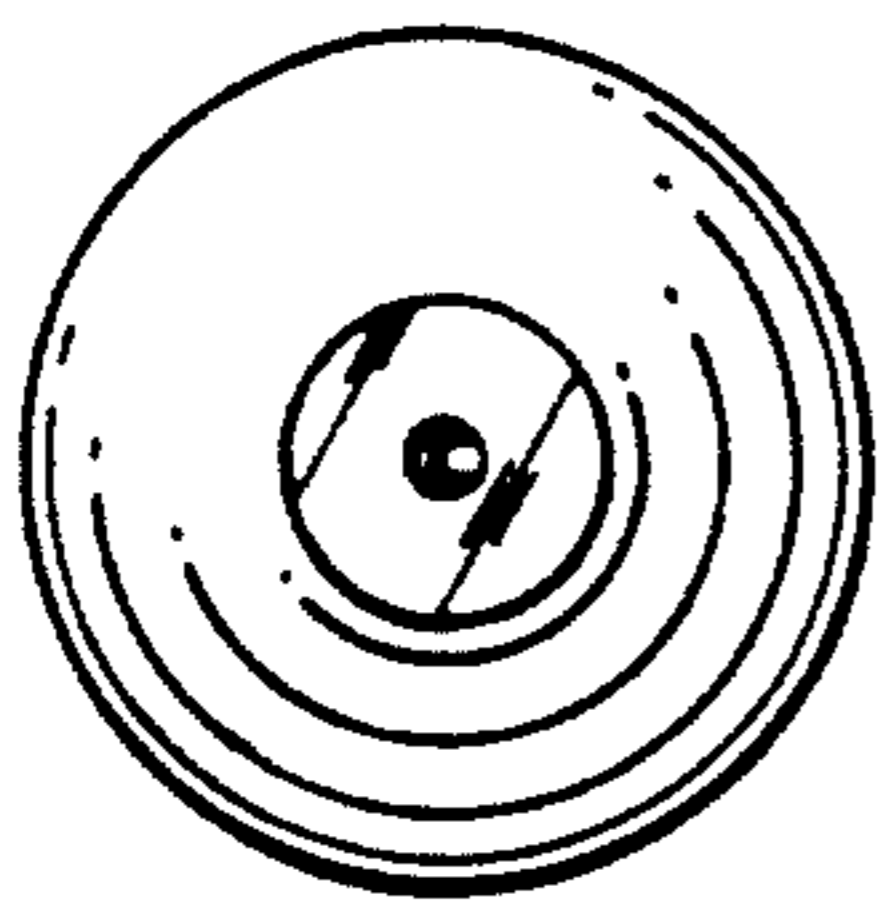


FIG. 6

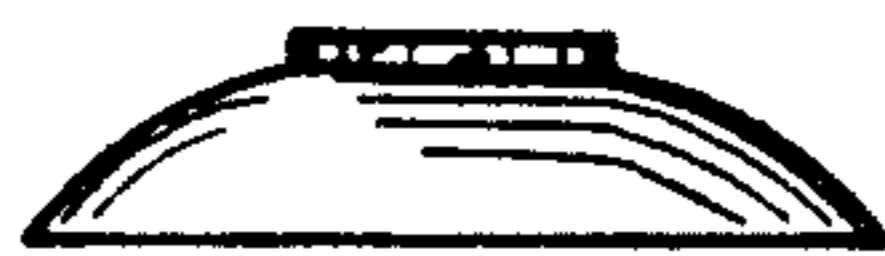


FIG. 7

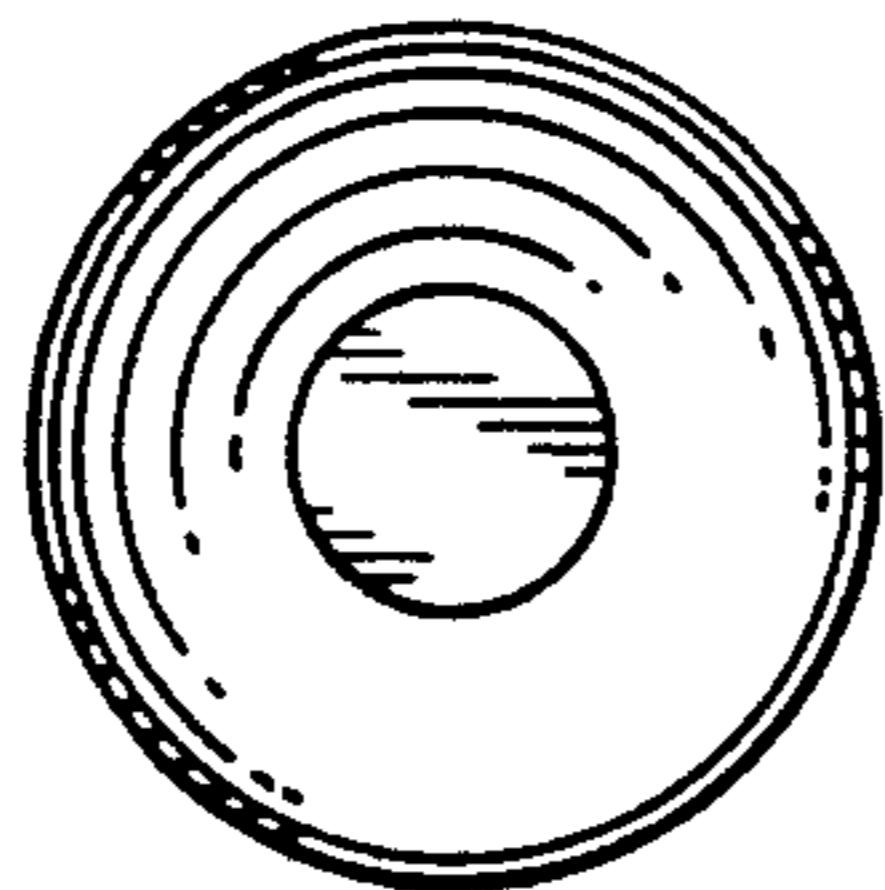


FIG. 8

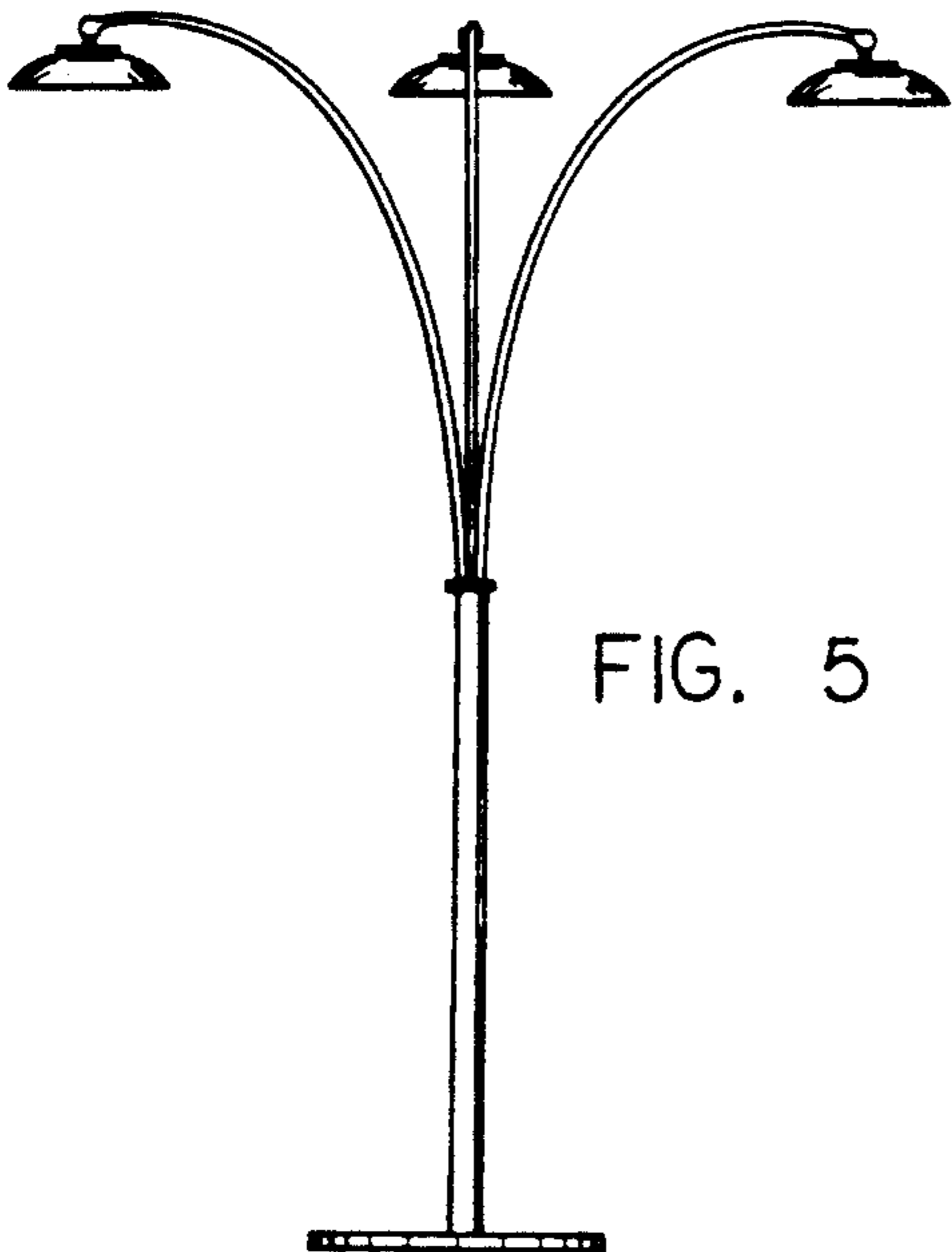


FIG. 5

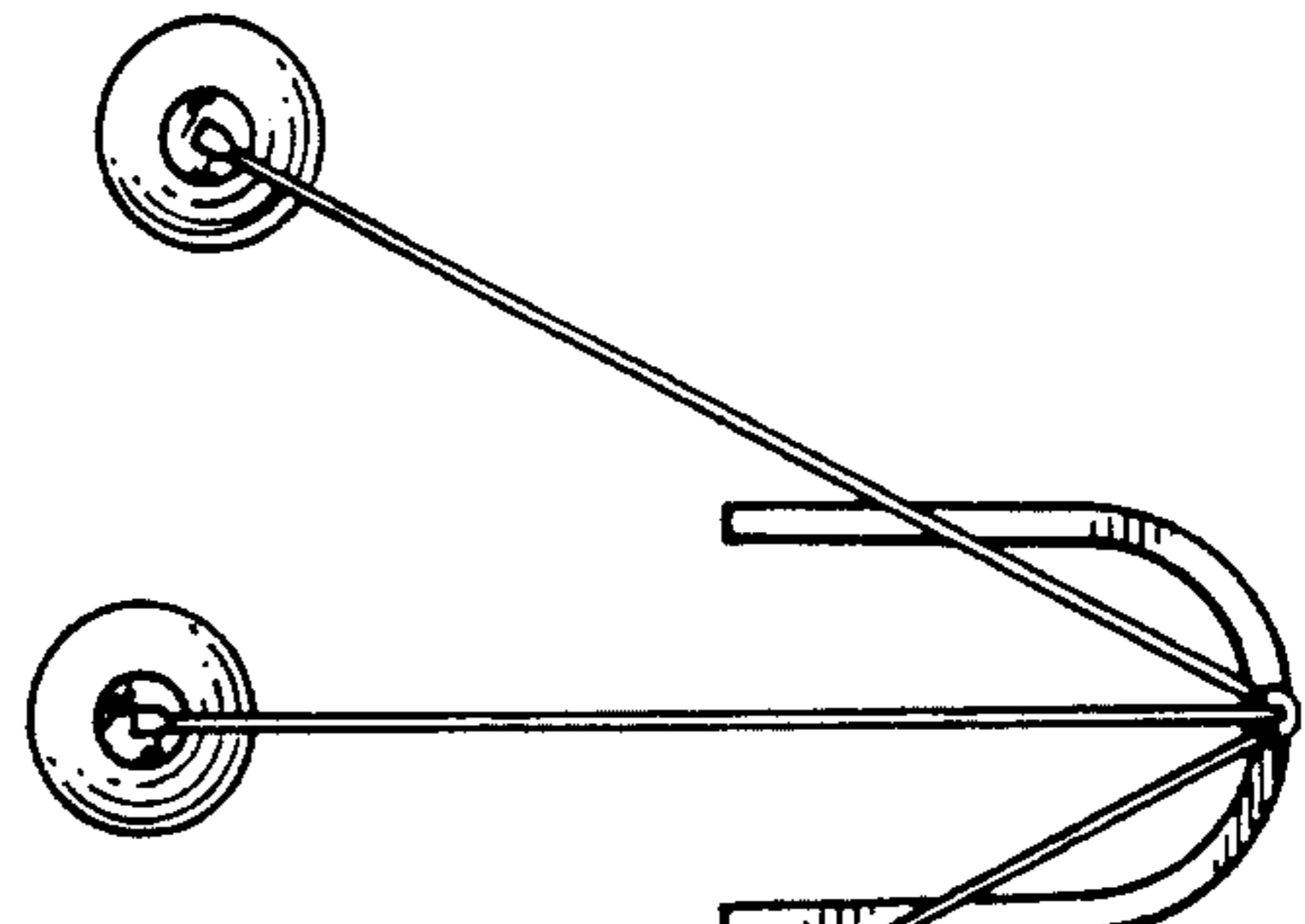


FIG. 3

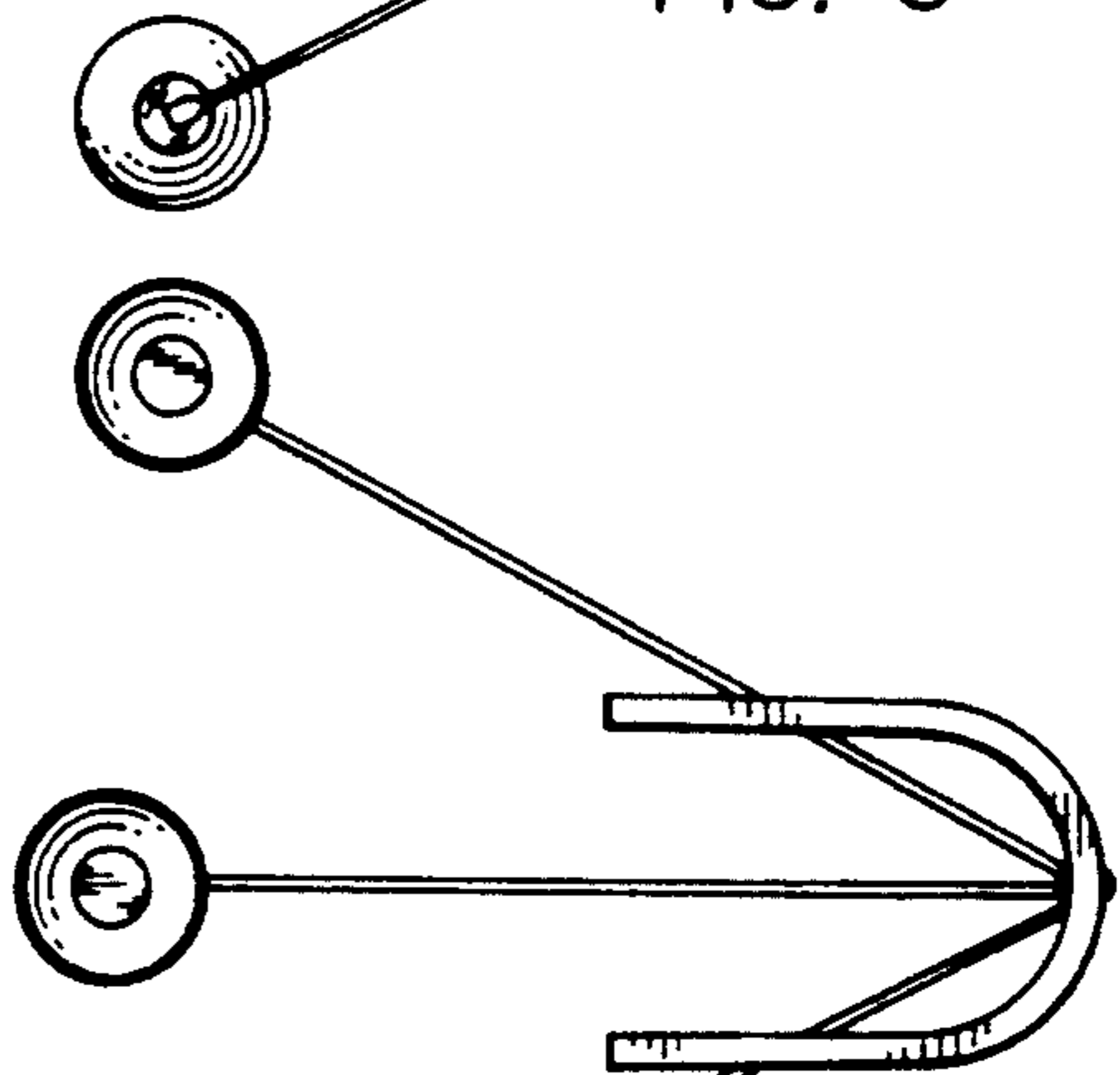


FIG. 4

