



US00D345226S

United States Patent [19]

[11] Patent Number: **Des. 345,226**

Tsao

[45] Date of Patent: **** Mar. 15, 1994**

[54] MINI HALOGEN FLOODLIGHT

[75] Inventor: **Frank Tsao**, Taipei Hsien, Taiwan

[73] Assignee: **Caster Lighting Inc.**, San Chung, Taiwan

[**] Term: **14 Years**

[21] Appl. No.: **903,176**

[22] Filed: **Jun. 25, 1992**

[52] U.S. Cl. **D26/63**

[58] Field of Search 362/147, 269, 275, 285, 362/418, 419, 427; D26/60-65

[56] **References Cited**

U.S. PATENT DOCUMENTS

D. 295,791 5/1988 Strandberg D26/63
2,571,295 10/1951 Sale et al. D26/63 X

OTHER PUBLICATIONS

North Star's "Guide to Innovative Lighting", Jan. 1986, p. 8, Star Floodlight.

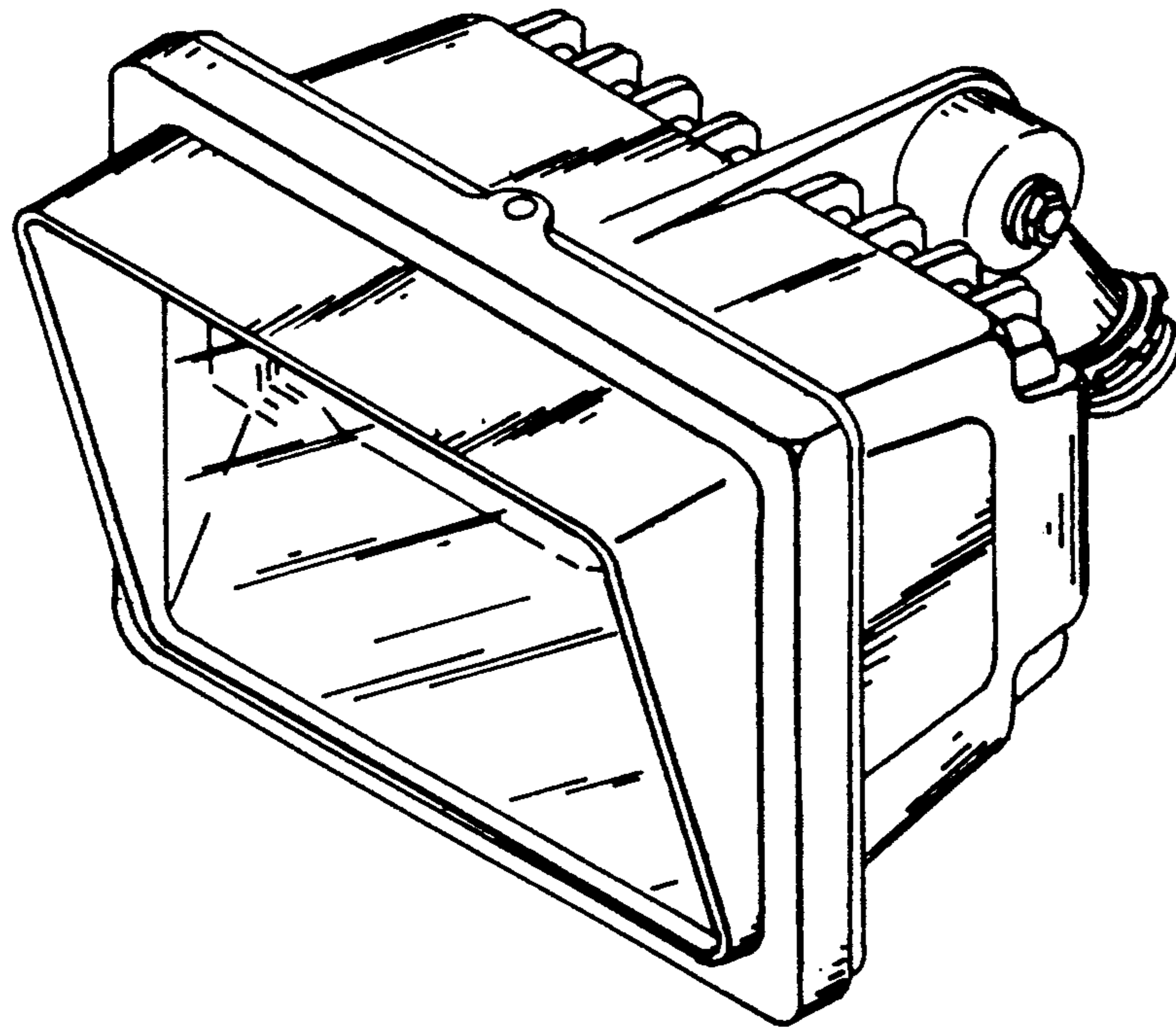
Primary Examiner—Susan J. Lucas
Attorney, Agent, or Firm—Bacon & Thomas

[57] **CLAIM**

The ornamental design for a mini halogen floodlight, as shown and described.

DESCRIPTION

FIG. 1 is a front view of the mini halogen floodlight; FIG. 2 is a rear view thereof; FIG. 3 is a left side view thereof; FIG. 4 is a right side view thereof; FIG. 5 is a top view thereof; FIG. 6 is a bottom view thereof; and, FIG. 7 is a perspective view thereof.



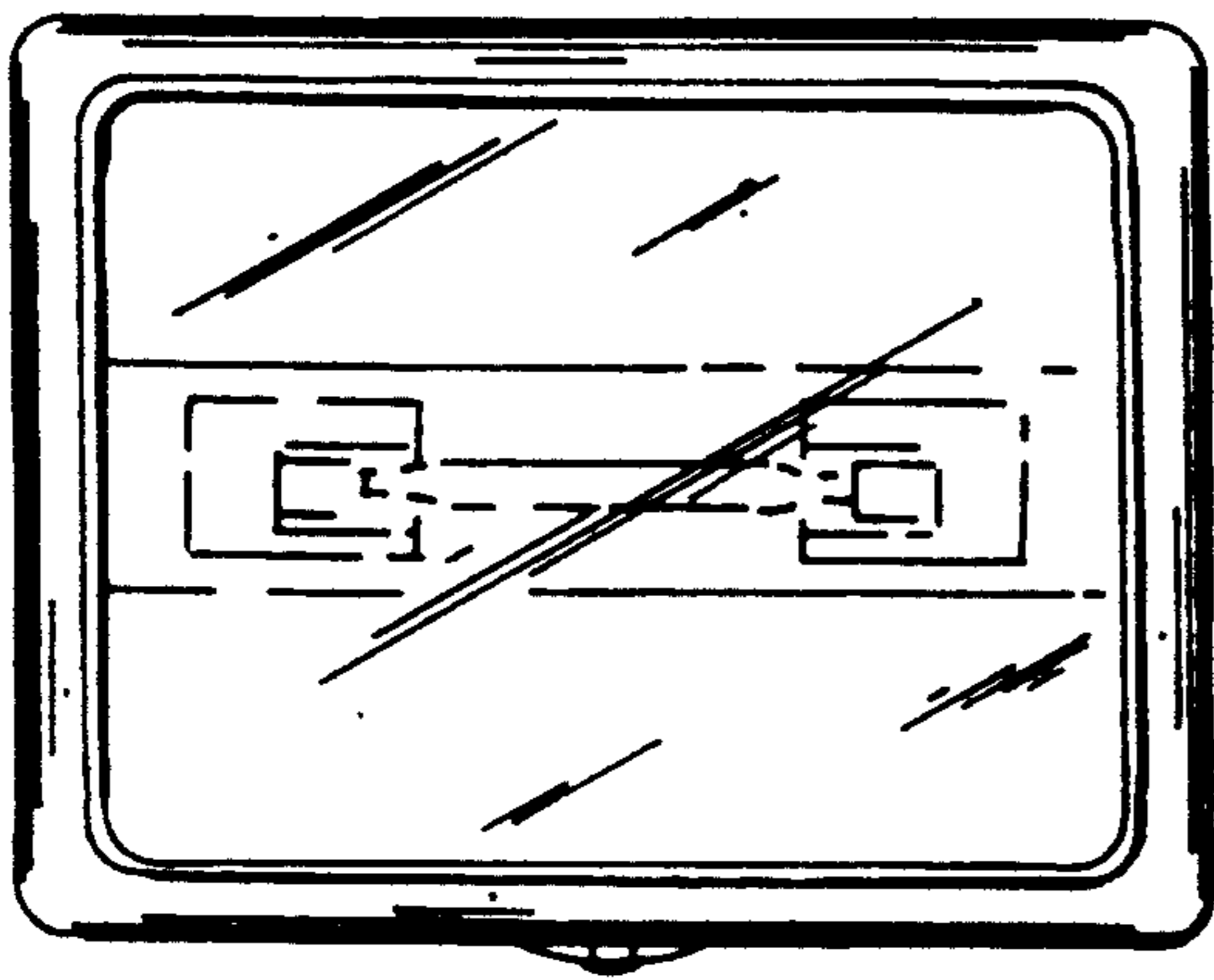


FIG. 1

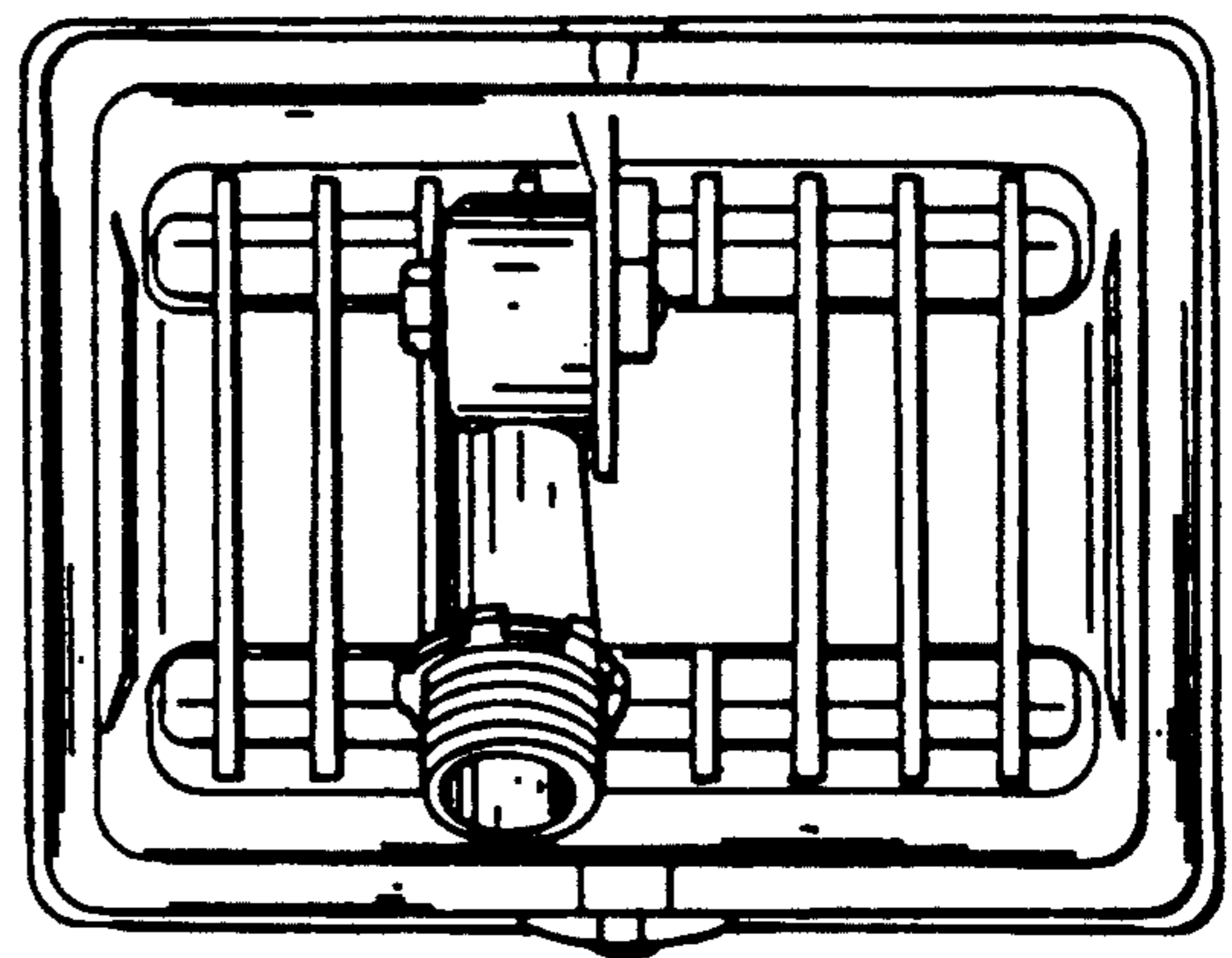


FIG. 2

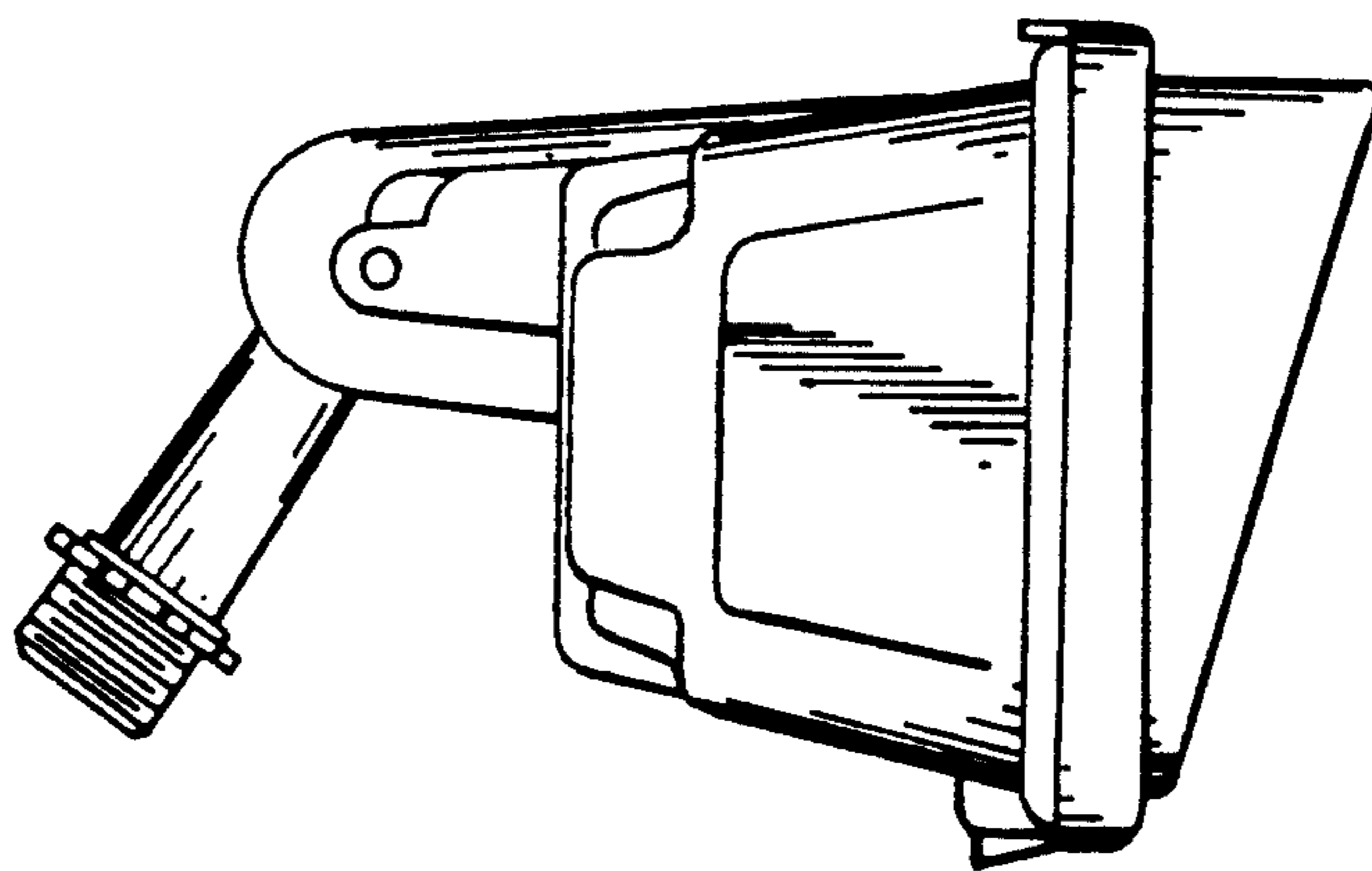


FIG. 3

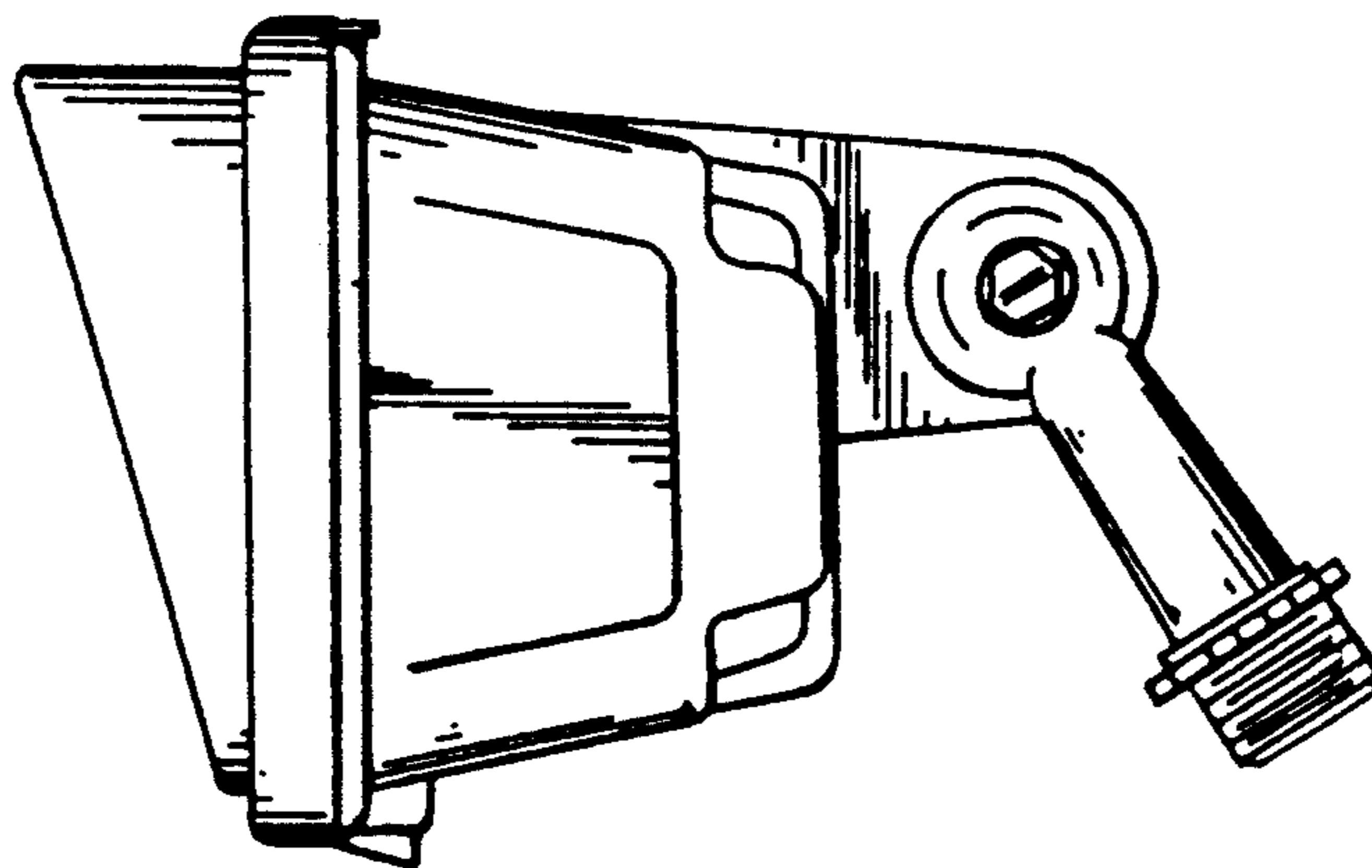


FIG. 4

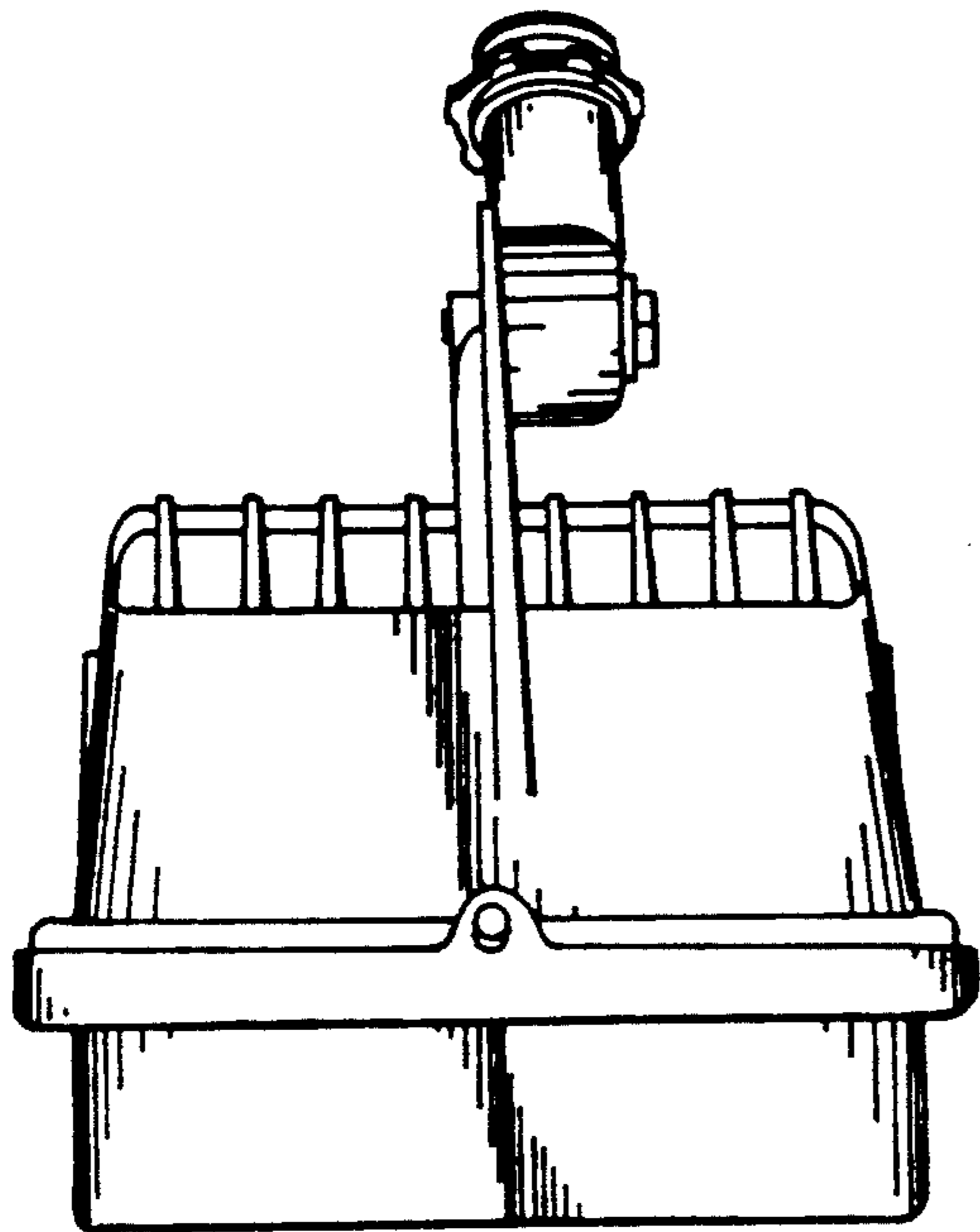


FIG. 5

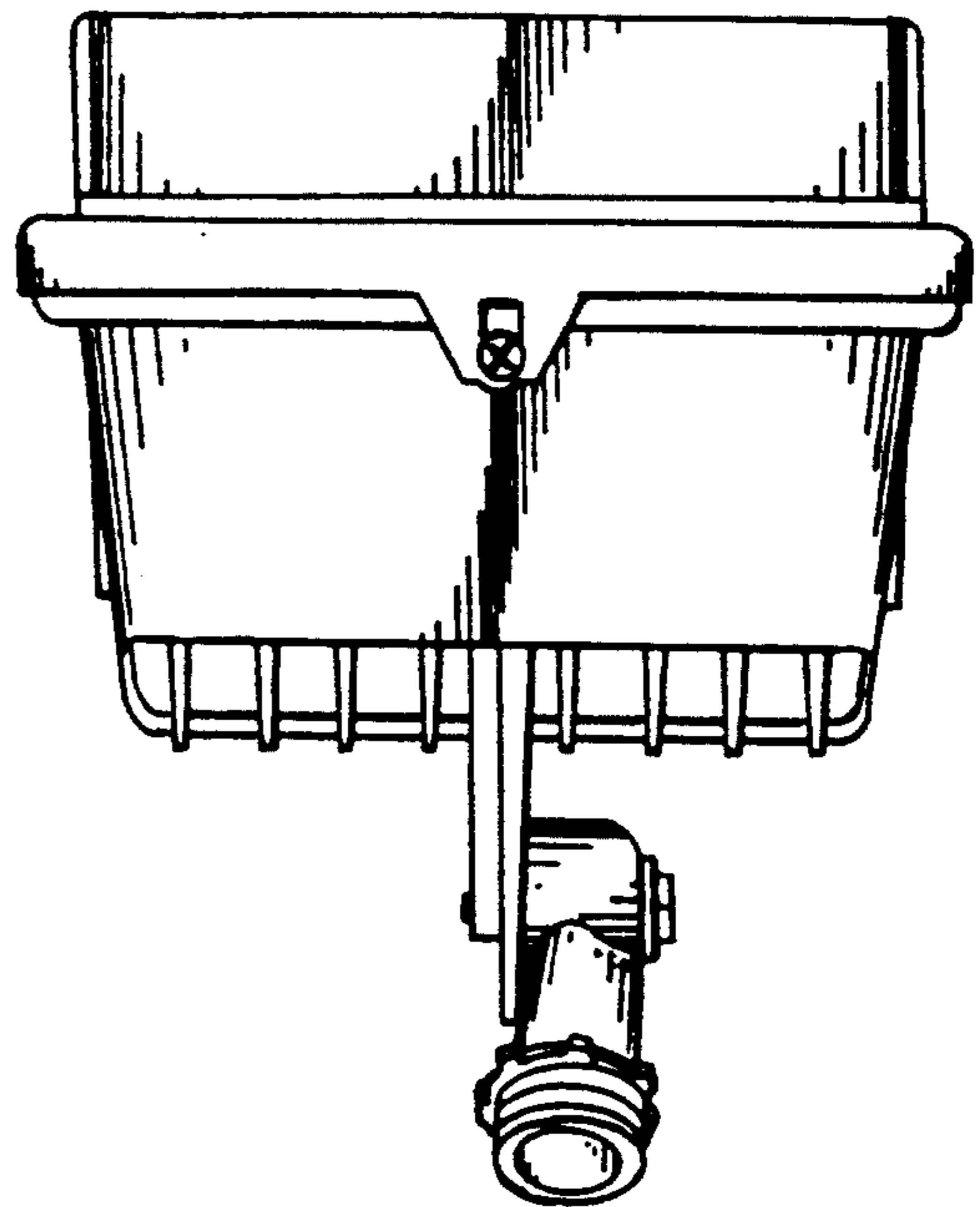


FIG. 6

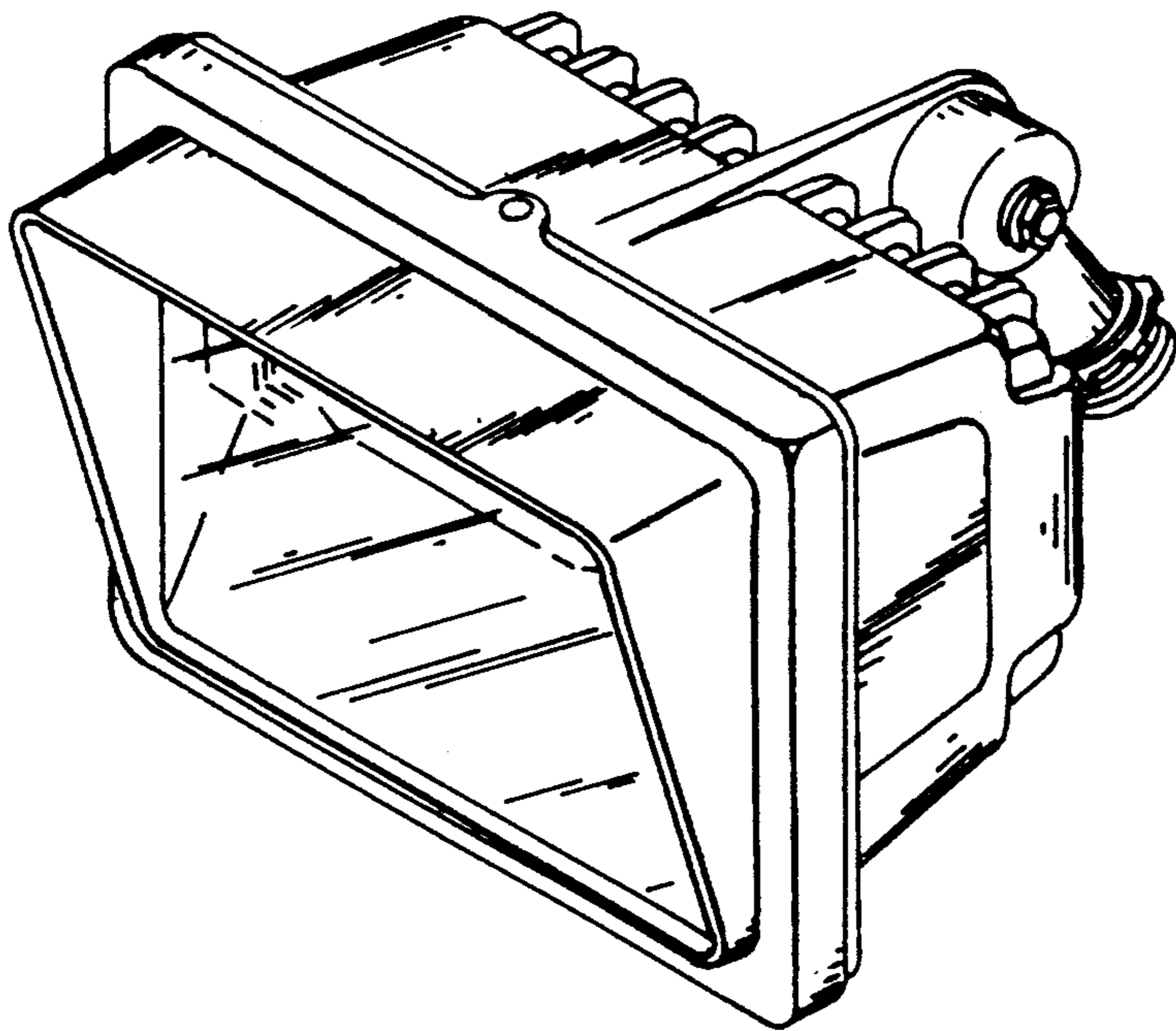


FIG. 7