



US00D345224S

United States Patent [19]

[11] Patent Number: **Des. 345,224**

Boss

[45] Date of Patent: ** Mar. 15, 1994

[54] OIL CANDLE

OTHER PUBLICATIONS

[76] Inventor: **Karen Boss**, 34 Shady La., Ross, Calif. 94956-1946

Eddie Bauer Catalog p. 41 Spring 1986 bottom photo--Prism Candles.

[**] Term: **14 Years**

Primary Examiner—Wallace R. Burke
Assistant Examiner—Robin Taylor
Attorney, Agent, or Firm—Townsend & Townsend
Khourie & Crew

[21] Appl. No.: **809,642**

[57] CLAIM

[22] Filed: **Dec. 17, 1991**

The ornamental design for an oil candle, as shown and described.

[52] U.S. Cl. **D26/11**

[58] Field of Search 431/288, 289, 291, 311,
431/320; D26/9, 10, 11

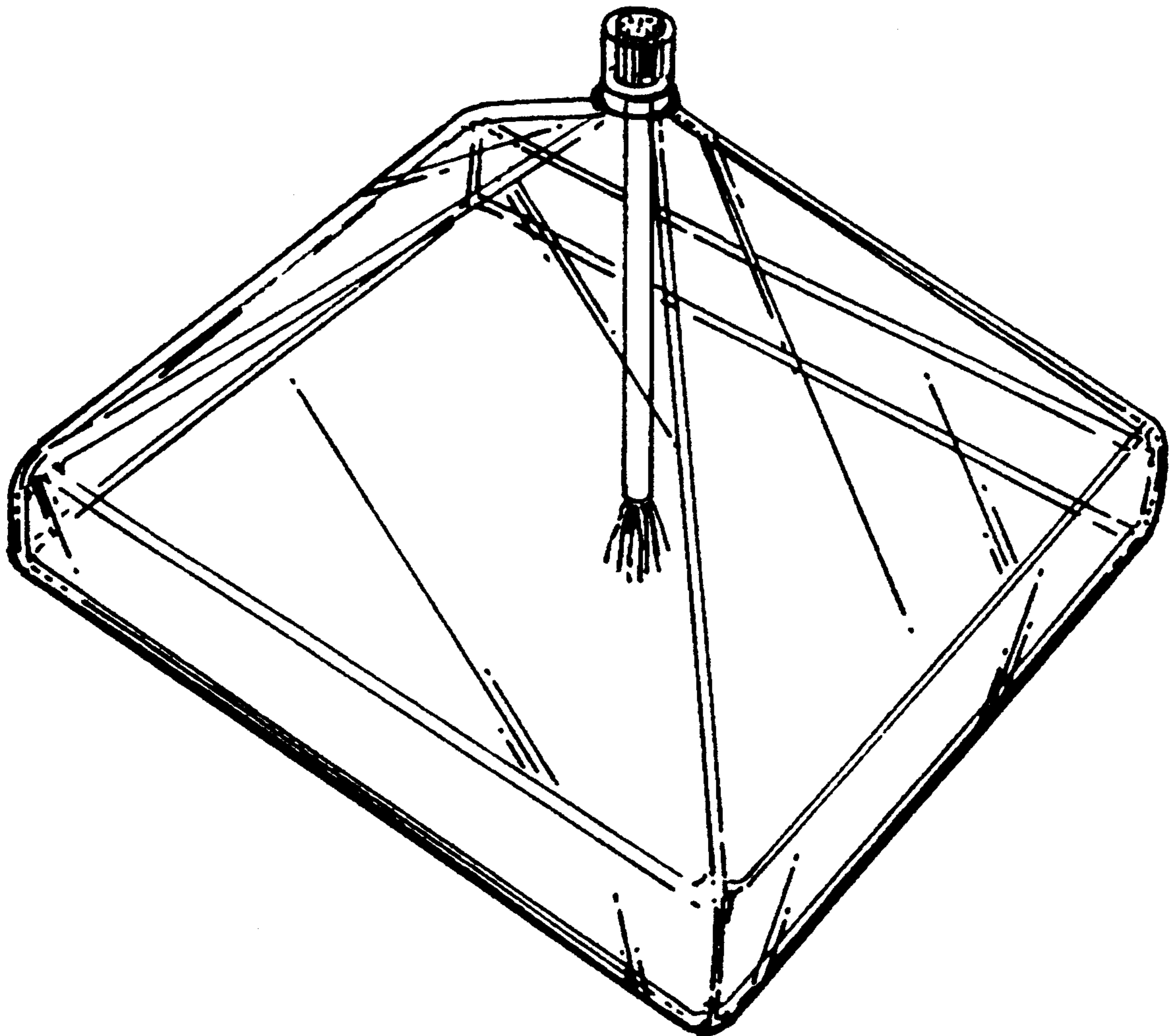
DESCRIPTION

[56] References Cited

U.S. PATENT DOCUMENTS

D. 280,443 9/1985 Boss D26/9

FIG. 1 is a perspective view of an oil candle showing my new design;
FIG. 2 is a top plan view thereof;
FIG. 3 is a front elevational view thereof; the rear, left and right being identical; and,
FIG. 4 is a bottom plan view thereof.



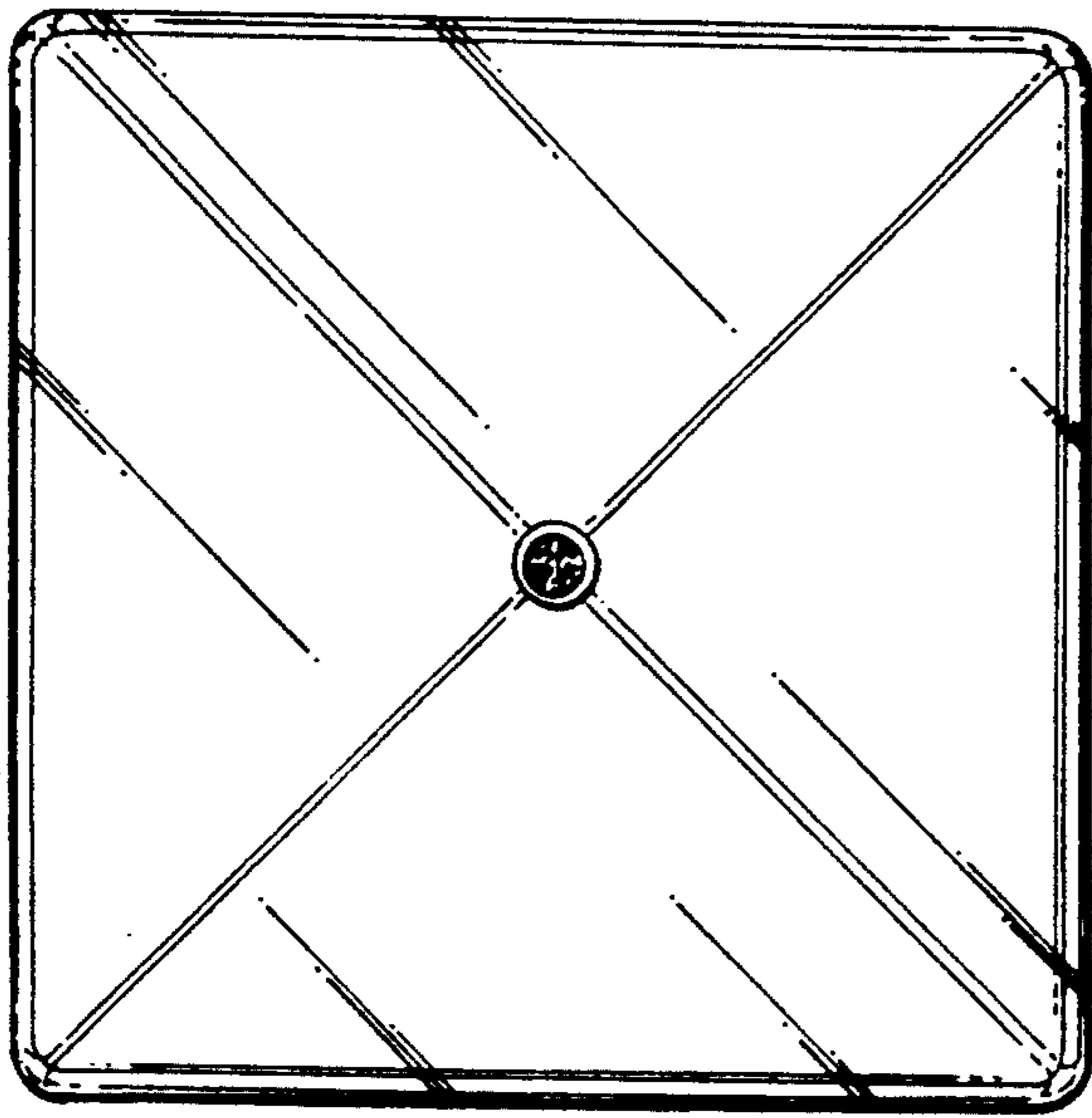


FIG. 2.

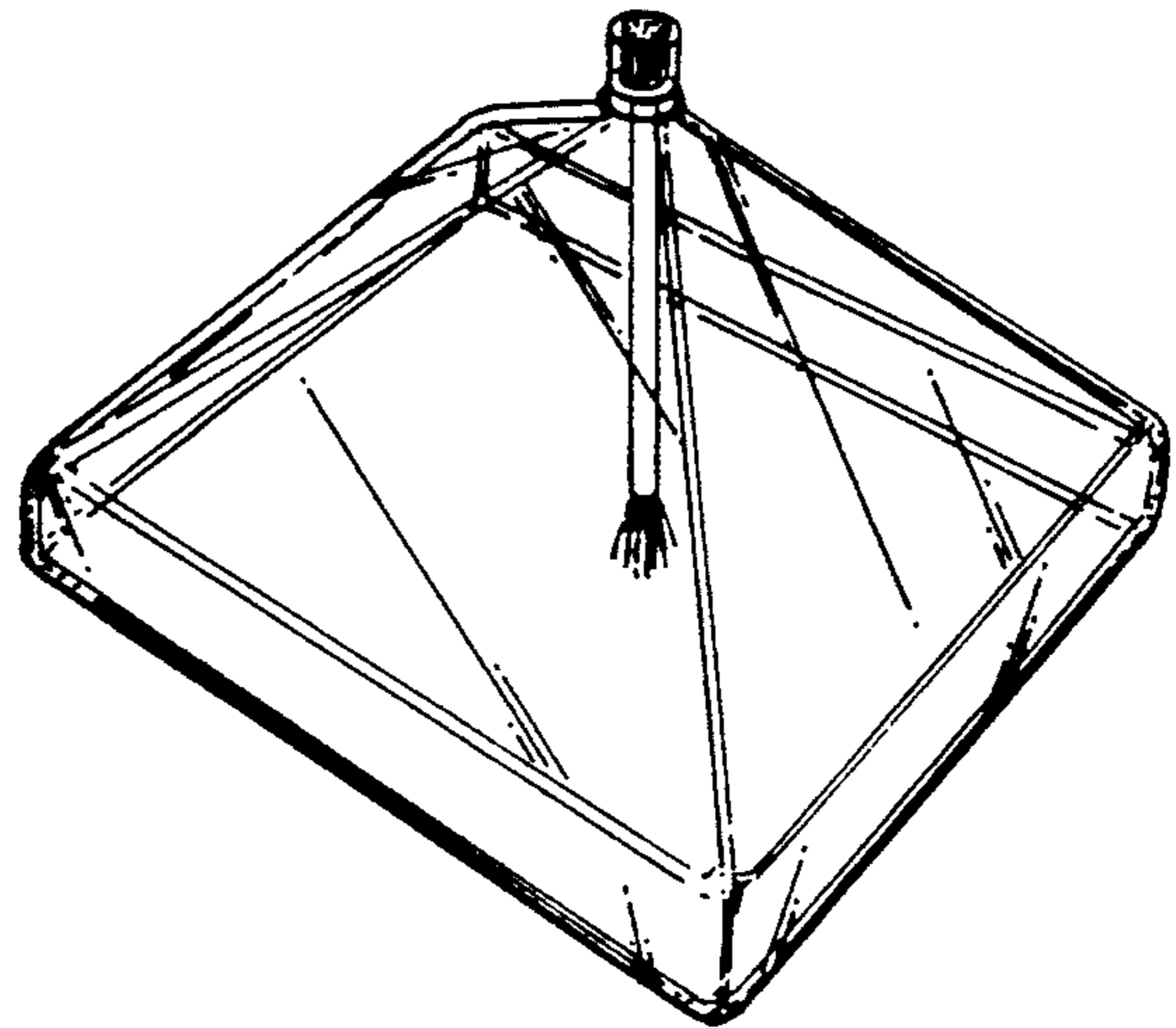


FIG. 1.

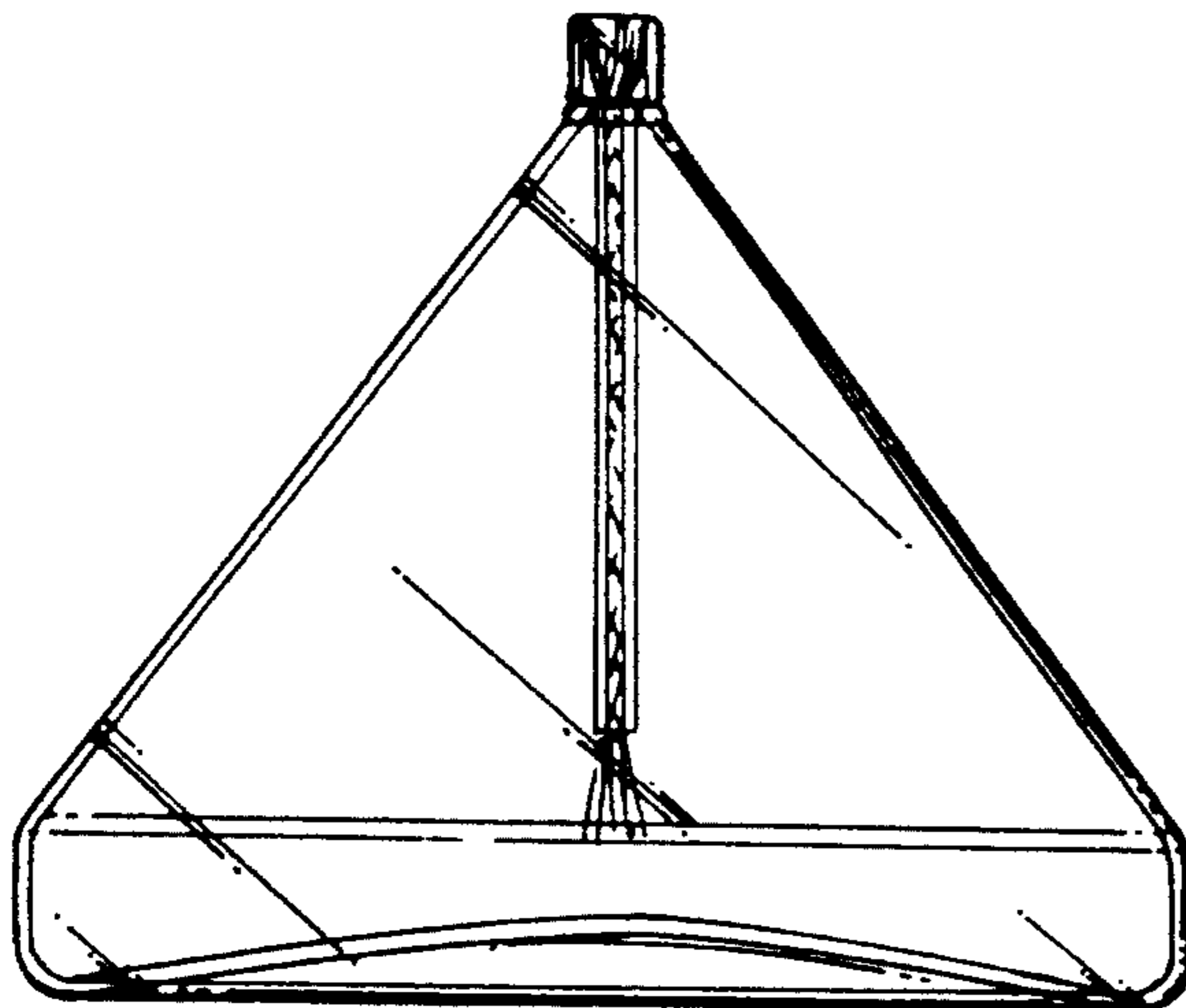


FIG. 3.

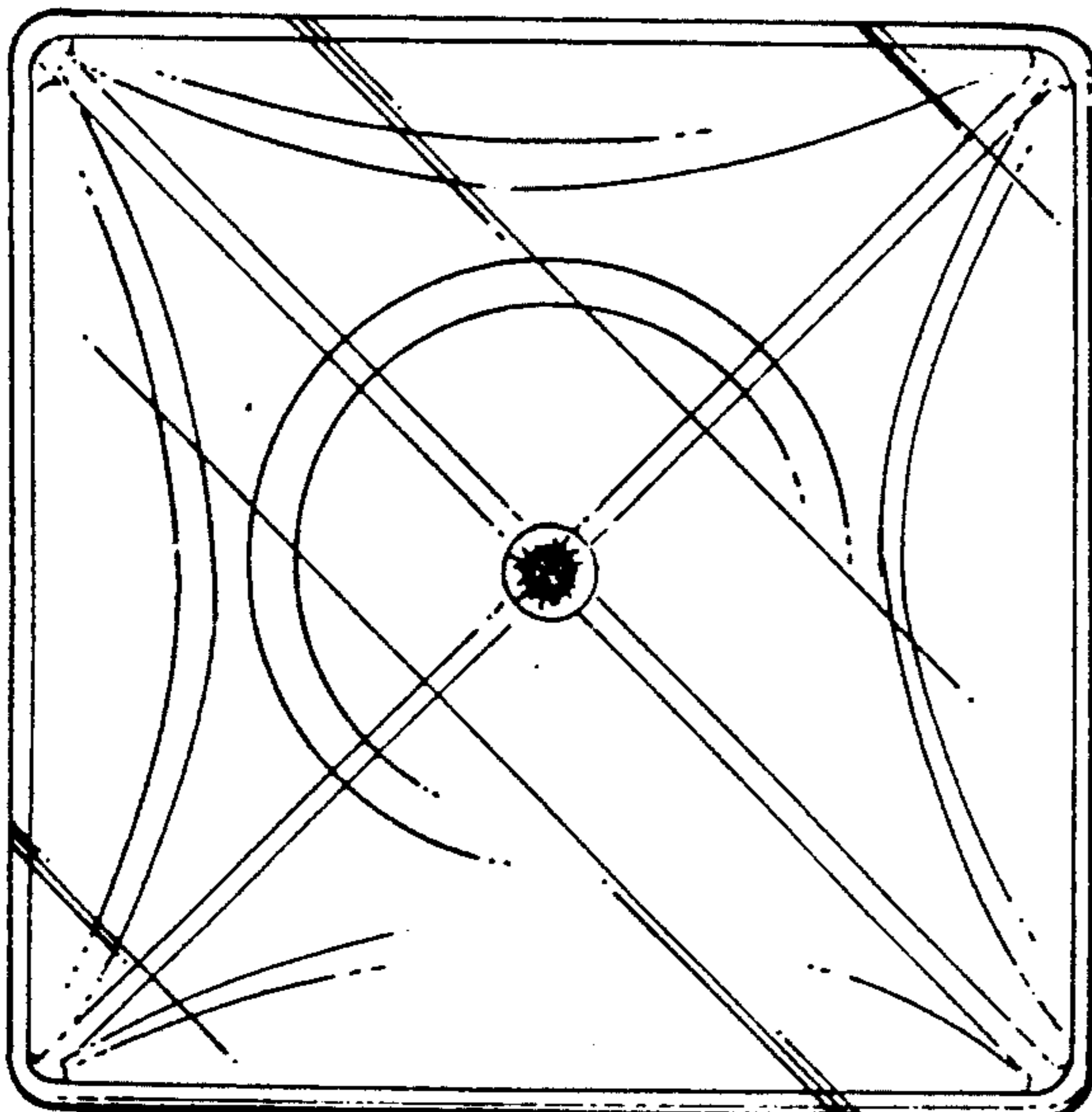


FIG. 4.