



US00D345222S

United States Patent [19]

[11] Patent Number: **Des. 345,222**

Hallsten et al.

[45] Date of Patent: **** Mar. 15, 1994**

[54] **EXTRUDED METAL PLANK FOR AN INTERLOCKING FIELD-ERECTABLE DECK OR COVER STRUCTURE**

3,813,839	6/1974	Simpson, Jr. et al.	52/588
3,837,319	9/1974	Lehe	52/588
4,048,960	9/1977	Barnidge et al.	52/588
4,604,842	8/1986	Sukup	D25/138
5,050,361	9/1991	Hallsten	52/581

[75] Inventors: **Jeffrey A. Hallsten; John Hallsten,**
both of Sacramento, Calif.

Primary Examiner—A. Hugo Word
Assistant Examiner—Doris Clark
Attorney, Agent, or Firm—Thomas M. Freiburger

[73] Assignee: **Hallsten Supply Co.,** North
Highlands, Calif.

[**] Term: **14 Years**

[57] **CLAIM**

[21] Appl. No.: **933,464**

The ornamental design for an extruded metal plank for an interlocking field-erectable deck or cover structure, as shown and described.

[22] Filed: **Aug. 21, 1992**

[52] U.S. Cl. **D25/138; D25/125**

DESCRIPTION

[58] Field of Search 52/582, 588, 592, 581;
D25/138, 125, 163, 157, 121, 119, 120

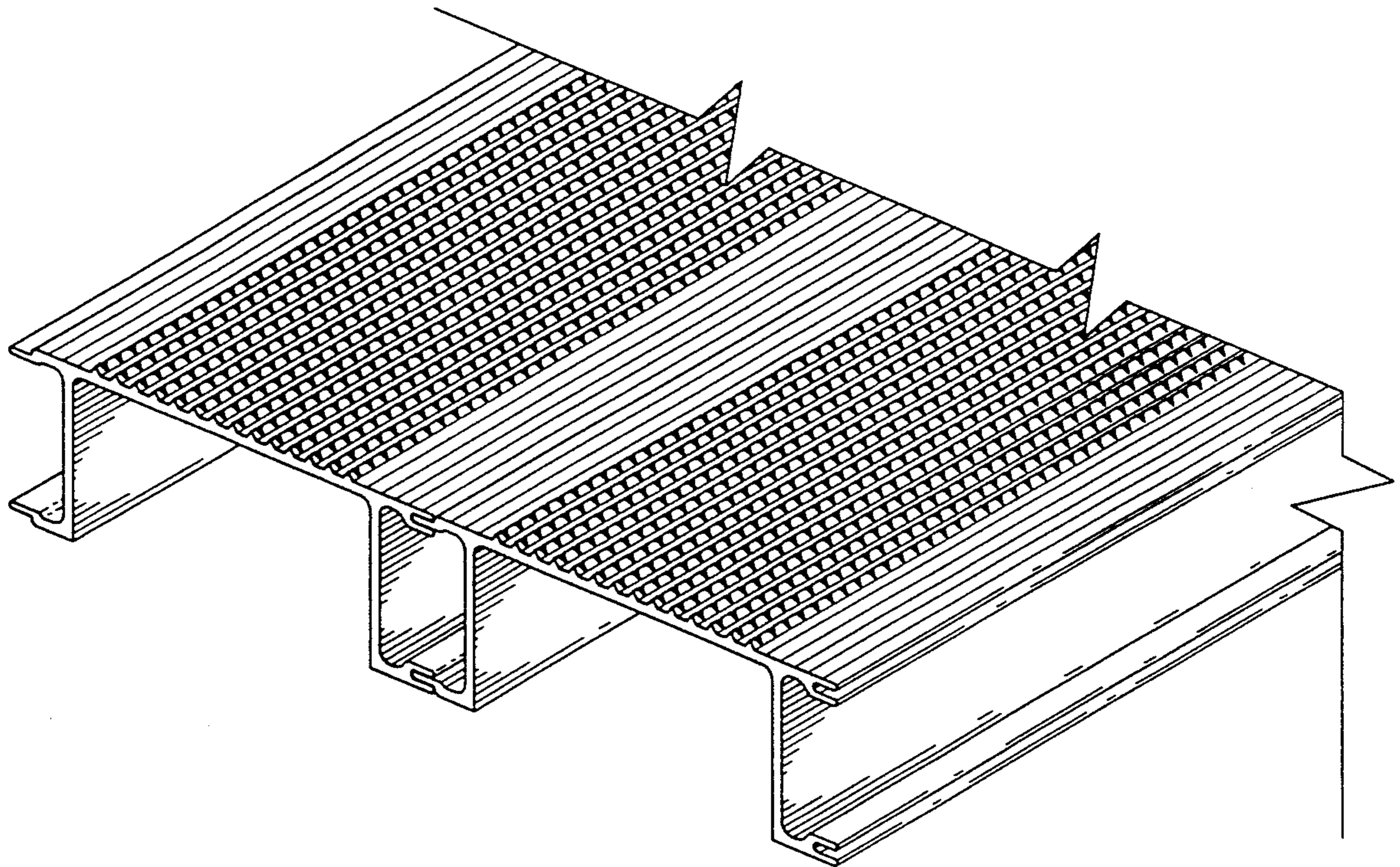
FIG. 1 is a perspective view from one end, showing an extruded metal plank for an interlocking field-erectable deck or cover structure according to our new design; FIG. 2 is an end elevation view, the opposite end being identical thereto;

[56] **References Cited**

U.S. PATENT DOCUMENTS

D. 233,746	11/1974	Bowser	D25/126
3,680,530	8/1972	Drawsky	52/588

FIG. 3 is a right side elevation view thereof; and, FIG. 4 is a top plan view thereof.



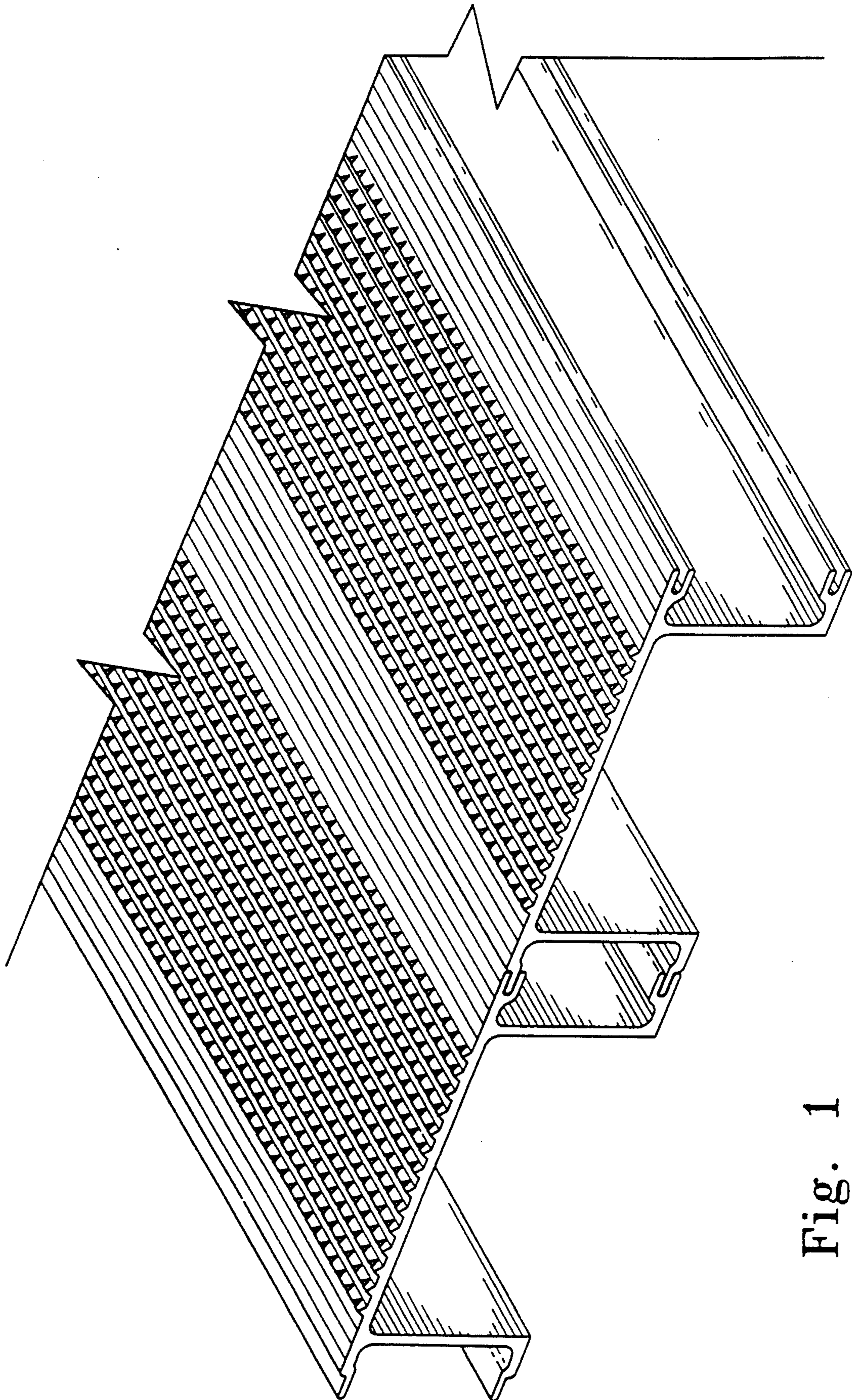


Fig. 1

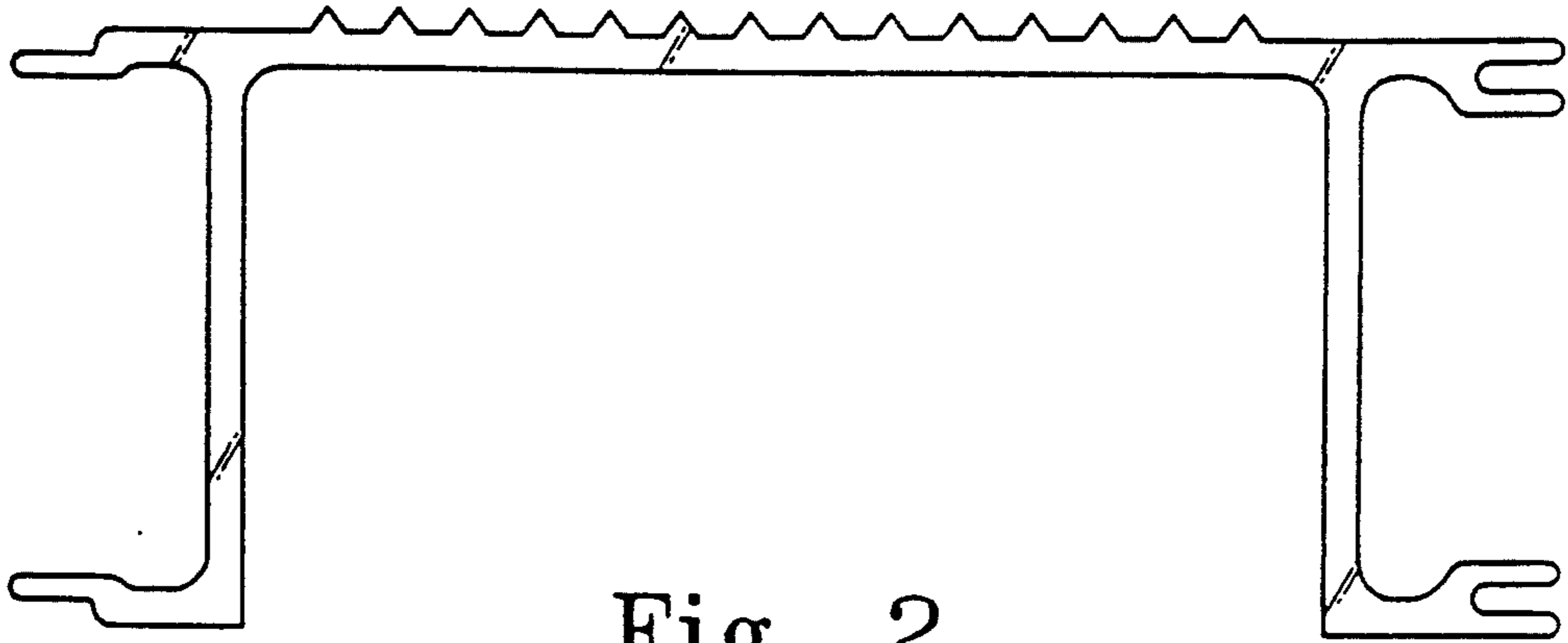


Fig. 2

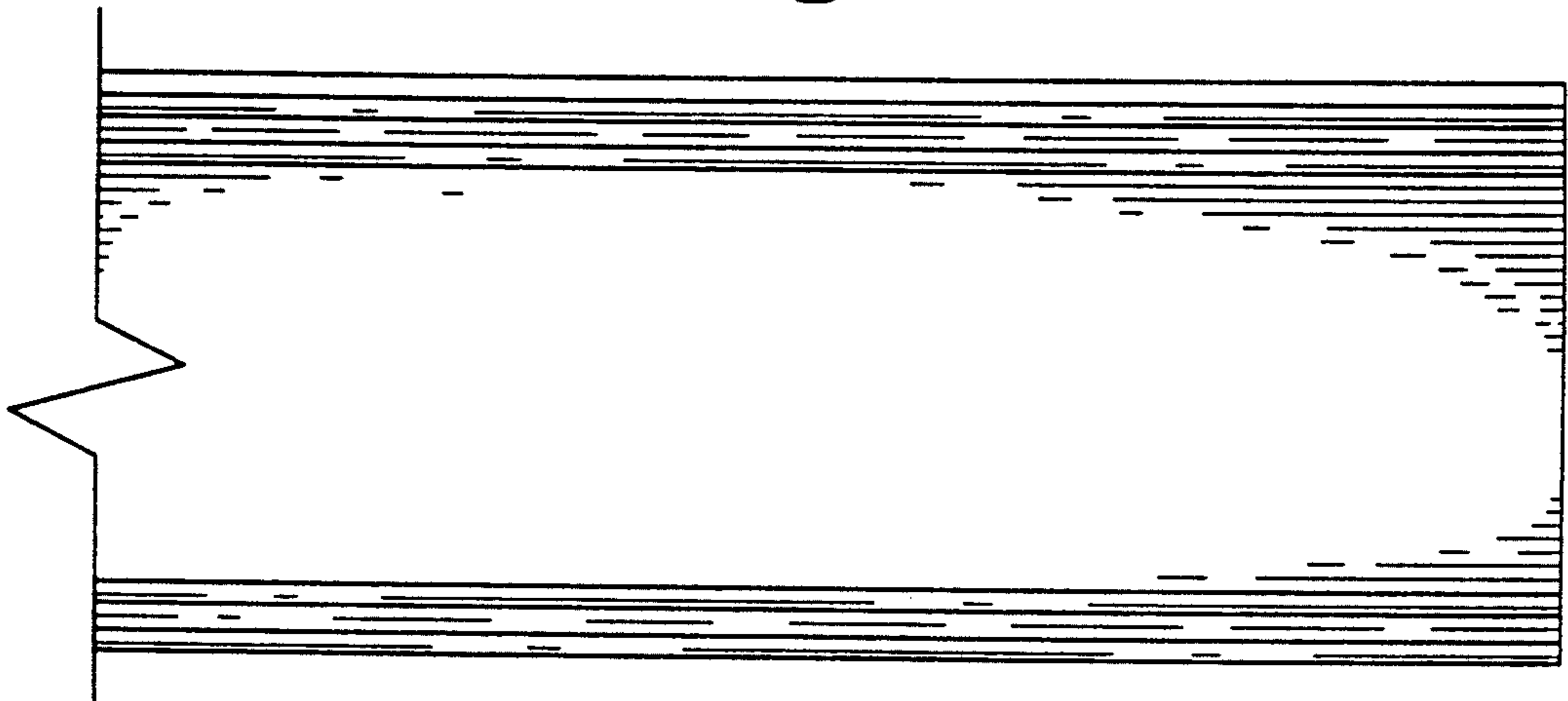


Fig. 3

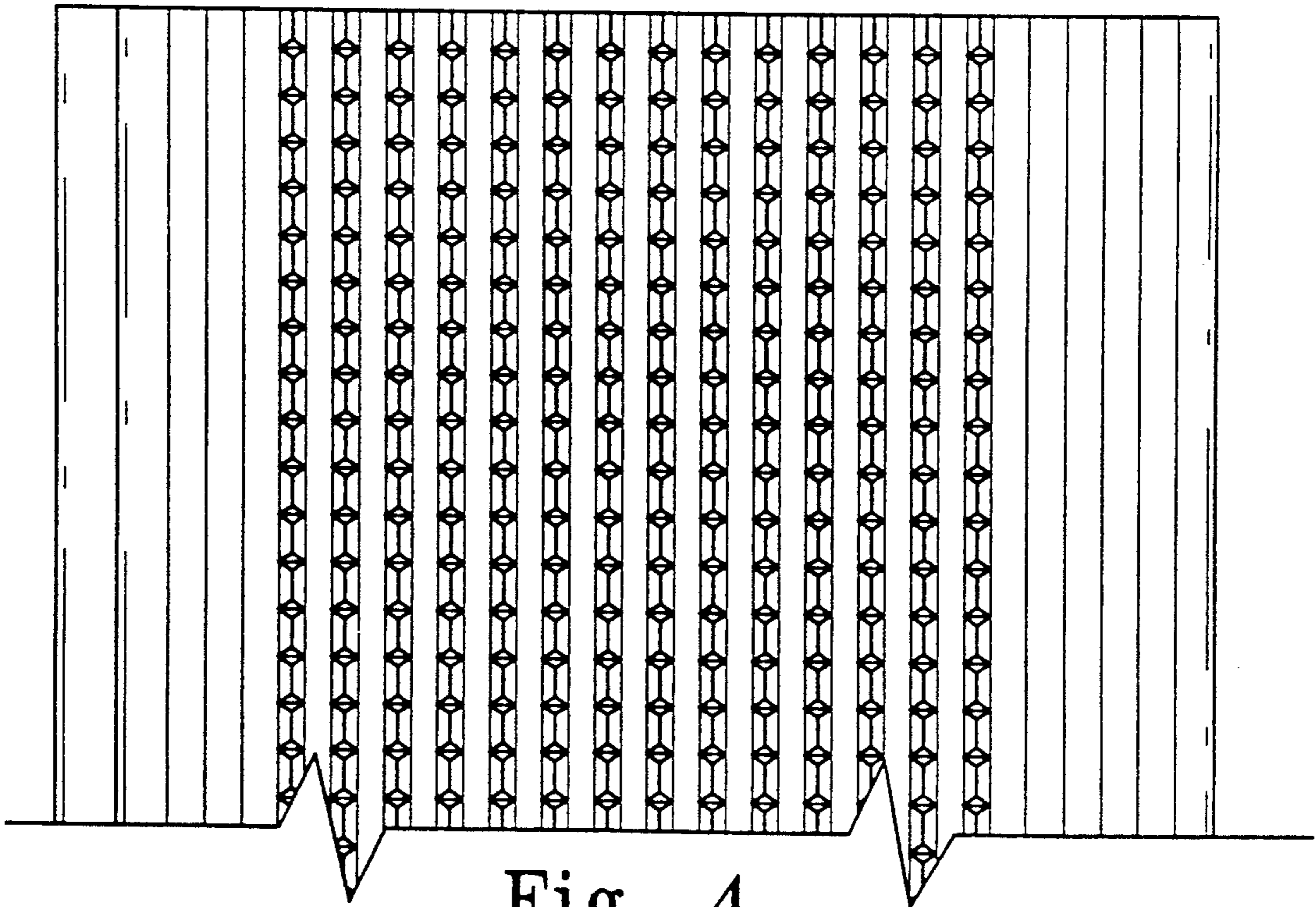


Fig. 4