



US00D345220S

United States Patent [19]

Johnson

[11] Patent Number: **Des. 345,220**

[45] Date of Patent: **** Mar. 15, 1994**

[54] **SUPPORT FOR POULTRY WATERER**

4,527,513 7/1985 Hart et al. 119/75
5,097,798 3/1992 Little 119/72

[75] Inventor: **William H. Johnson**, Harrisonburg, Va.

Primary Examiner—A. Hugo Word
Assistant Examiner—Cathy Anne MacCormac
Attorney, Agent, or Firm—Mason, Fenwick & Lawrence

[73] Assignee: **Shenandoah Manufacturing Co., Inc.**, Harrisonburg, Va.

[**] Term: **14 Years**

[57] **CLAIM**

[21] Appl. No.: **761,029**

The ornamental design for a support for poultry waterer, as shown and described.

[22] Filed: **Sep. 17, 1991**

DESCRIPTION

[52] U.S. Cl. **D25/122; D30/132**

FIG. 1 is a fragmentary perspective view of an support for poultry waterer, showing my new design;
FIG. 2 is a fragmentary side elevational view thereof, the opposite side being a mirror image of the side shown;
FIG. 3 is a fragmentary end elevational view thereof, the opposite end being a mirror image of the end shown;
FIG. 4 is a fragmentary top plan view thereof; and,
FIG. 5 is a bottom view thereof.

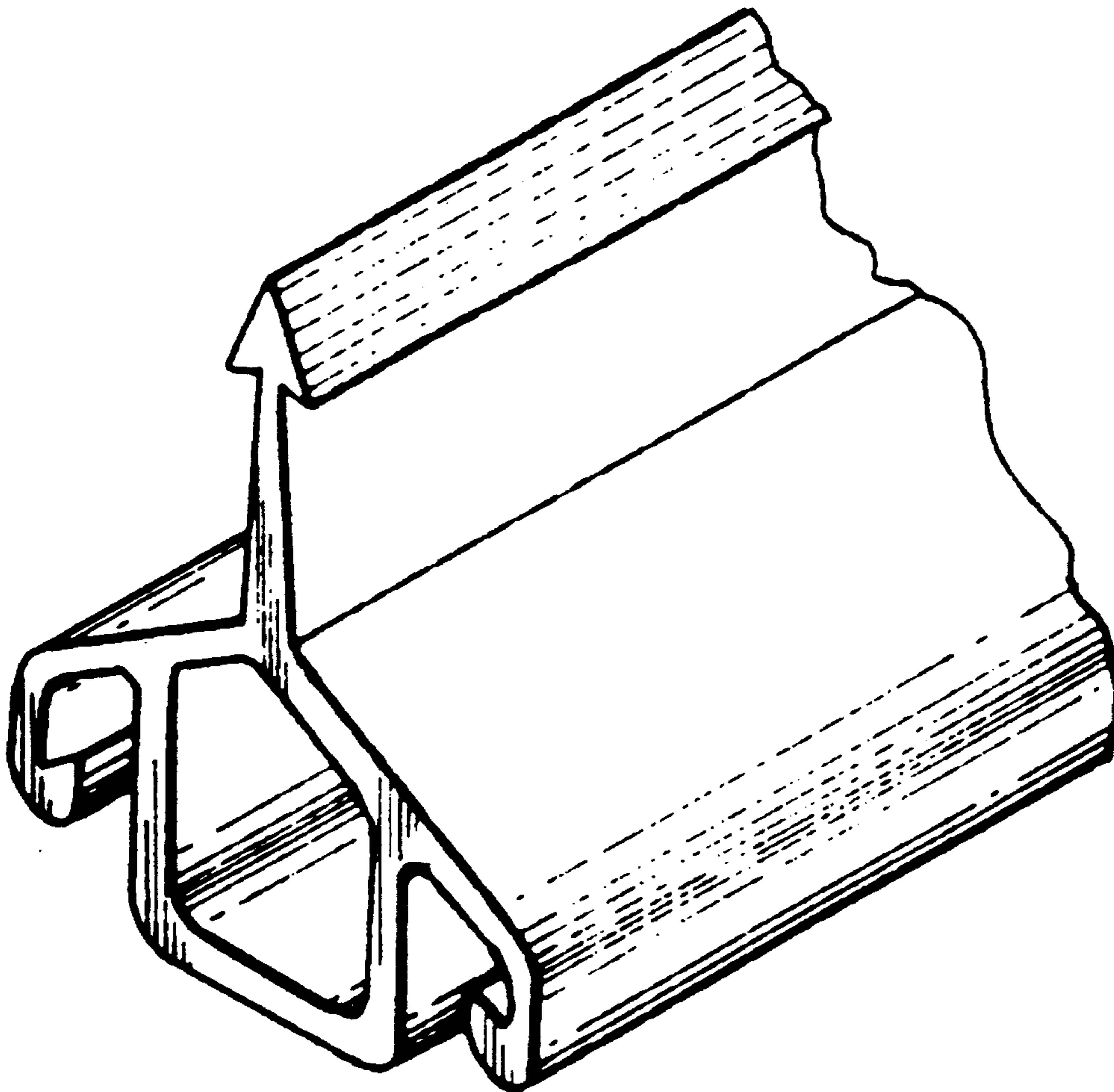
[58] Field of Search 248/318; 251/349, 339; 428/145, 146, 356, 883; 137/454.2; 119/72, 72.5, 74-75, 52.1; D25/122, 124

[56] **References Cited**

U.S. PATENT DOCUMENTS

D. 311,979	11/1990	Wentzel	D30/132
1,918,566	7/1933	Sadleir	251/339
1,963,242	6/1934	Nelson	248/346
3,664,305	5/1972	Hart et al.	D30/132

It is to be understood that the article is of indeterminate length.



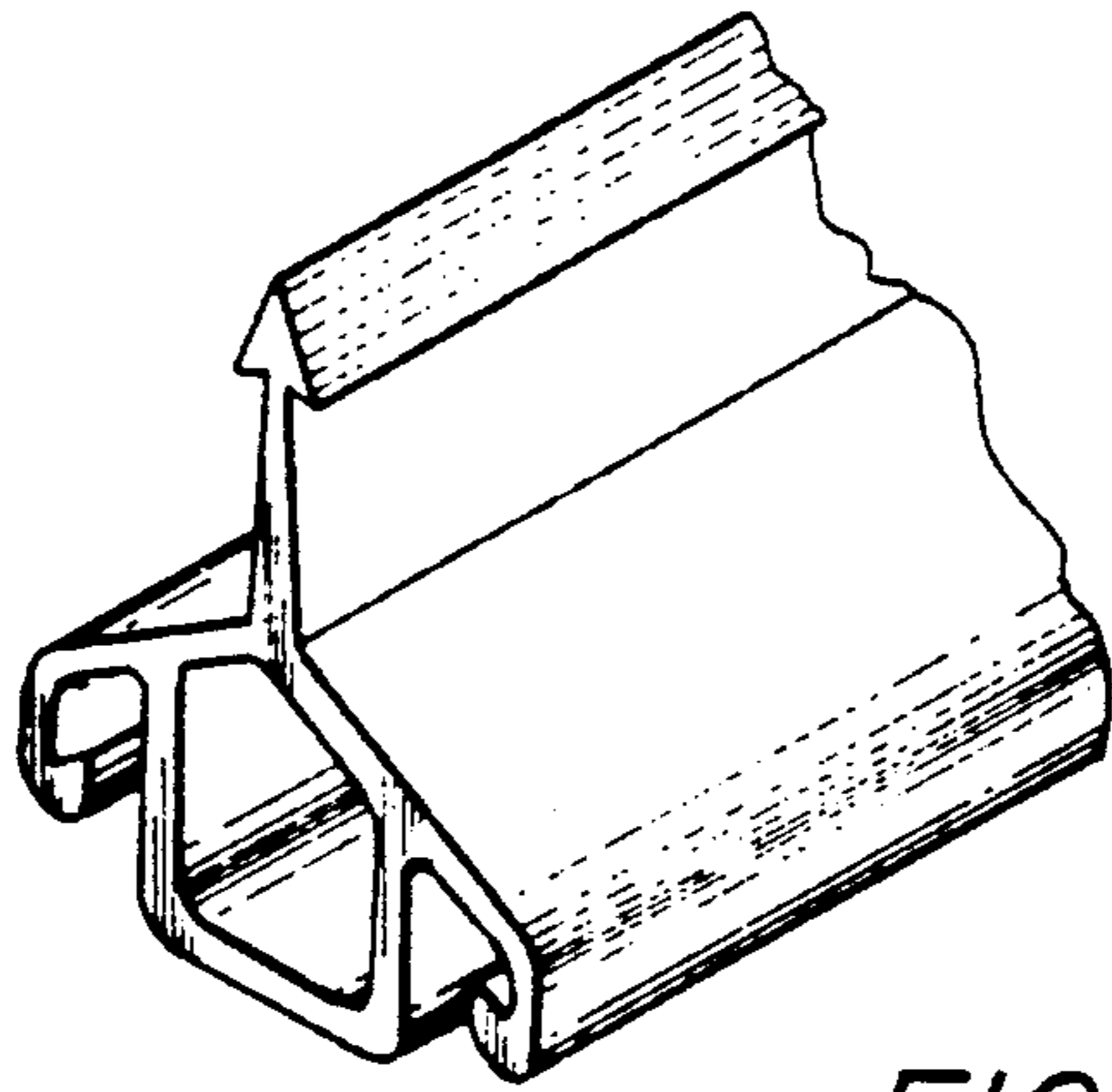


FIG. 1

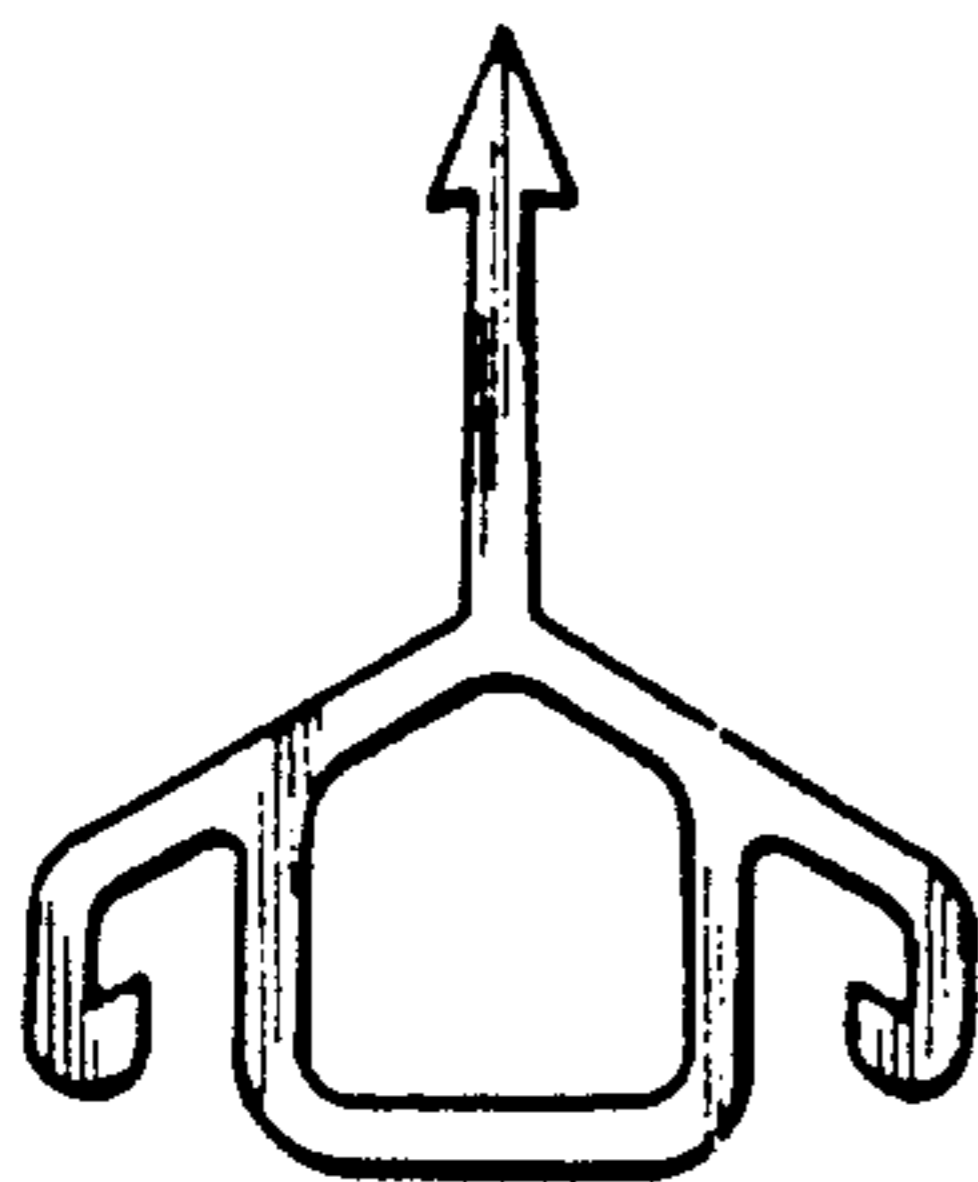


FIG. 3

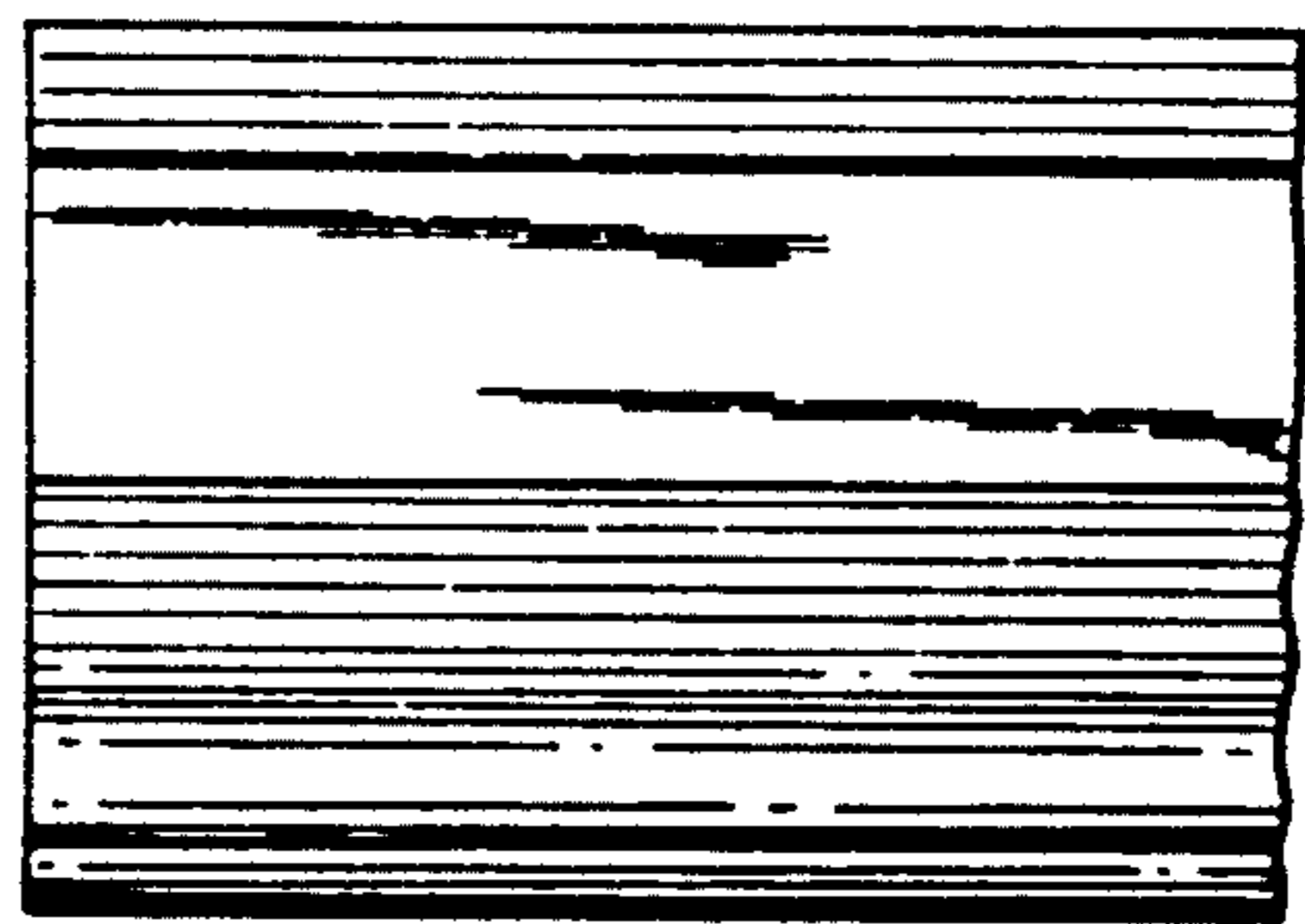


FIG. 2

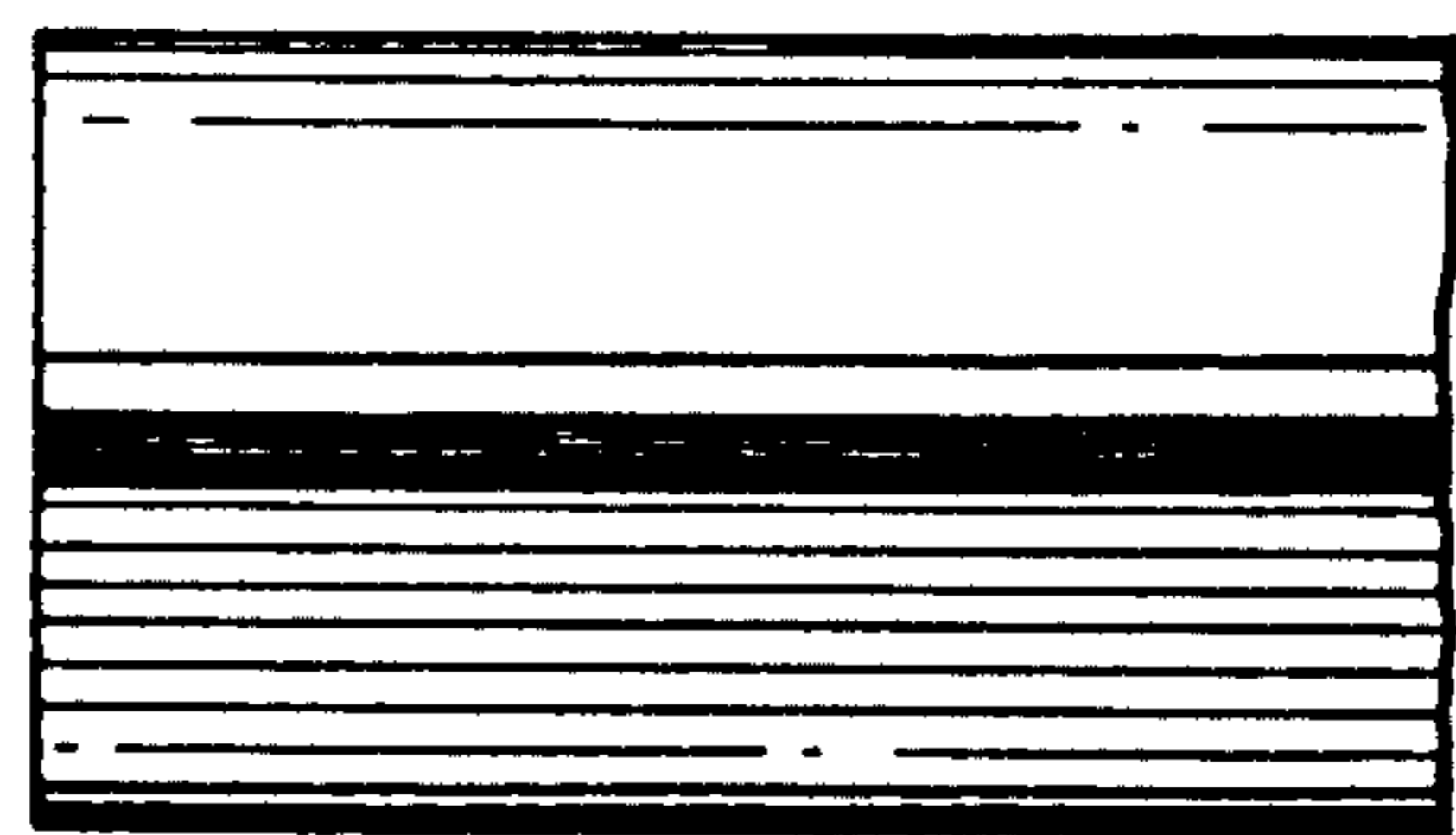


FIG. 4

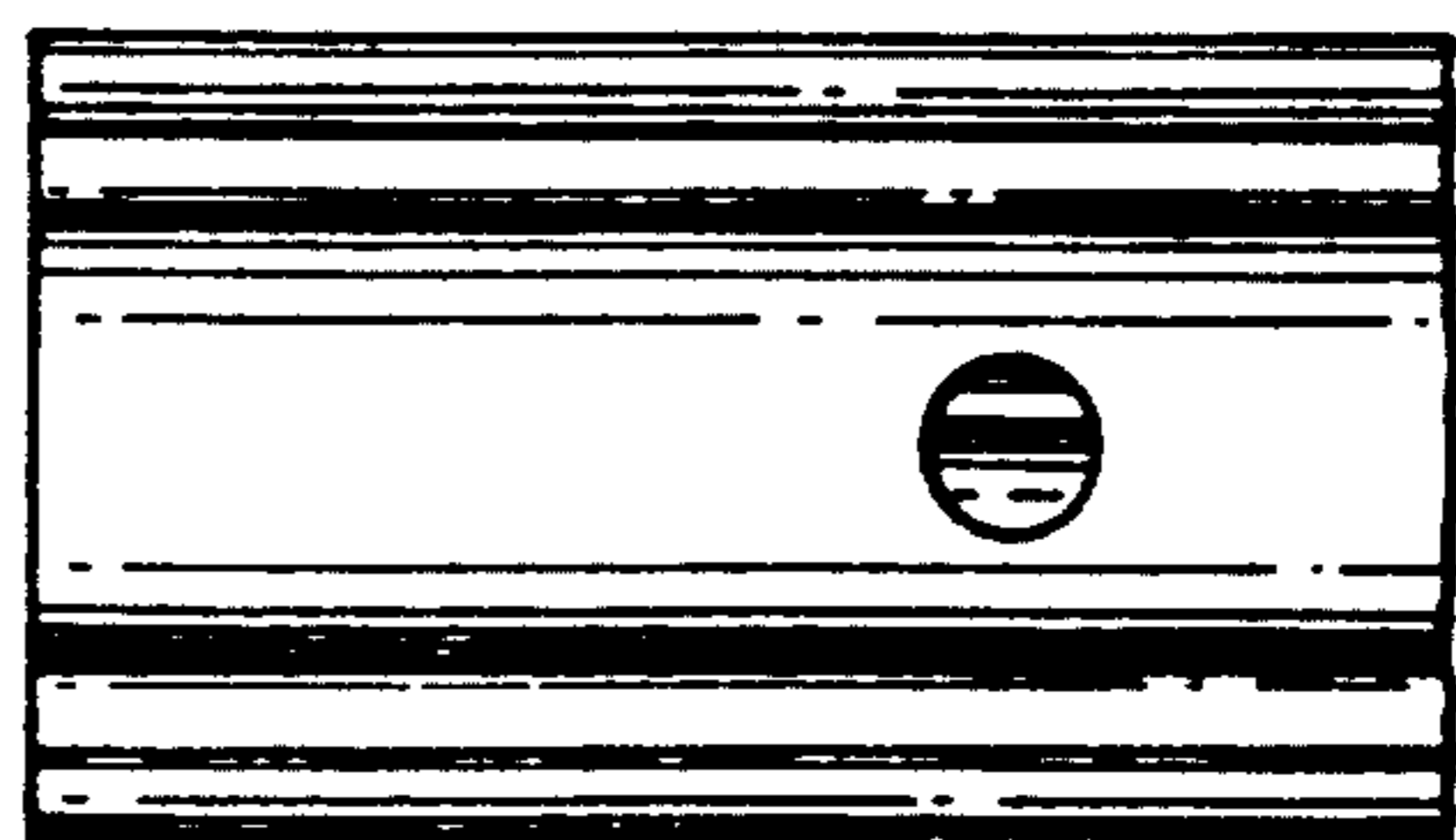


FIG. 5