



US00D345213S

# United States Patent [19]

[11] Patent Number: Des. 345,213

Shalon et al.

[45] Date of Patent: \*\* Mar. 15, 1994

## [54] AUTOMATED HAND-HELD KERATOMETER

[76] Inventors: **Tadmor Shalon**, 35 York Dr., Brentwood, Mo. 63144; **Bryce Rutter**, 644 Vasser, University City, Mo. 63130

[\*\*] Term: **14 Years**

[21] Appl. No.: **5,996**

[22] Filed: **Mar. 16, 1993**

### Related U.S. Application Data

[63] Continuation-in-part of Ser. No. 775,194, Oct. 11, 1991.  
[52] U.S. Cl. .... **D24/172**  
[58] Field of Search ..... 351/200, 211, 212, 218; 210/198.2; D24/172

### [56] References Cited

#### U.S. PATENT DOCUMENTS

D. 293,818 1/1988 Speaker ..... D24/172  
3,552,837 1/1971 Volk .  
4,407,572 10/1983 Humphrey .  
4,420,228 12/1983 Humphrey .  
4,772,115 9/1988 Gersten et al. .  
5,080,477 1/1992 Adachi ..... 351/212

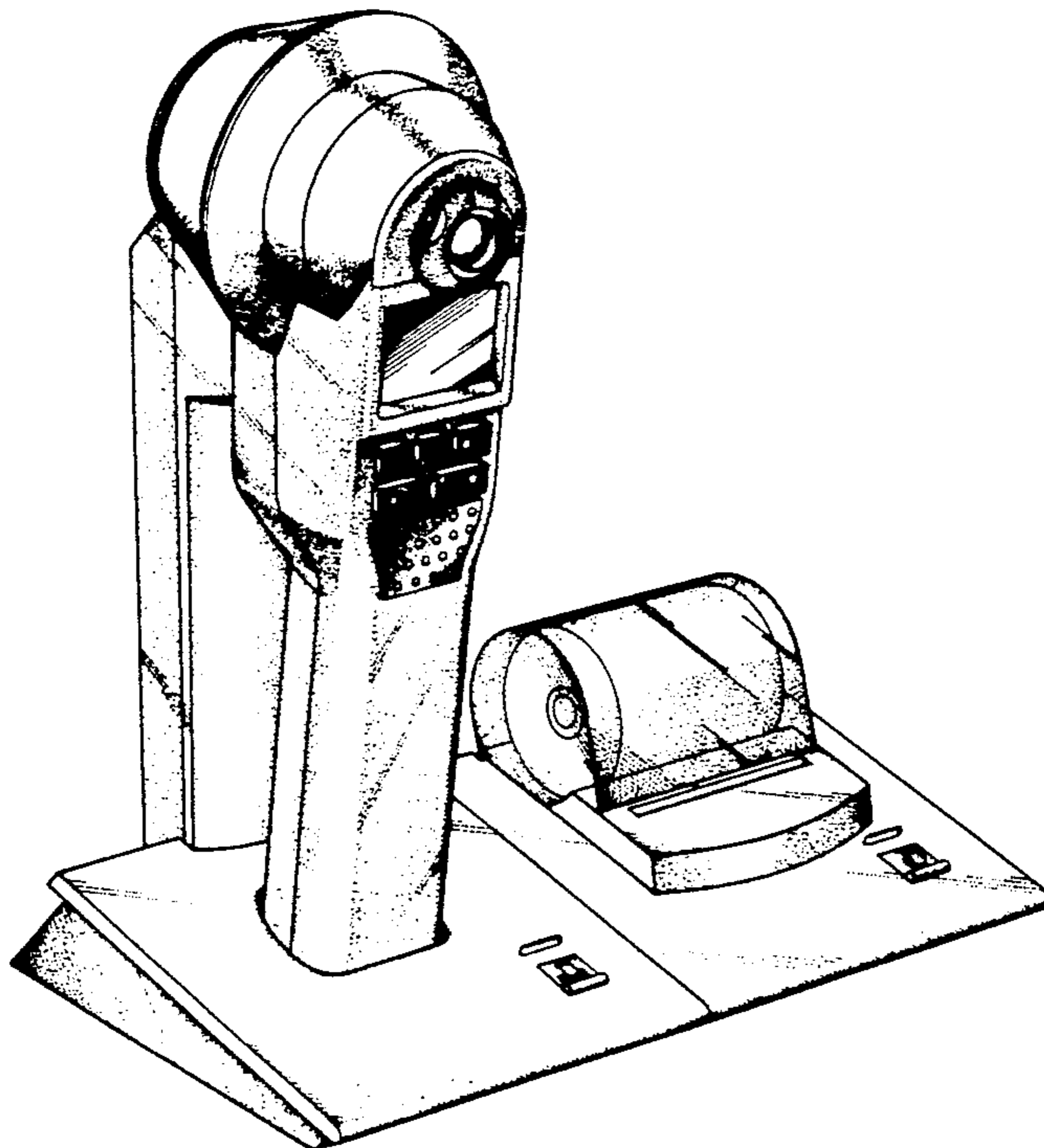
*Primary Examiner*—Alan P. Douglas  
*Assistant Examiner*—Antoine D. Davis  
*Attorney, Agent, or Firm*—Jeffrey S. Schira

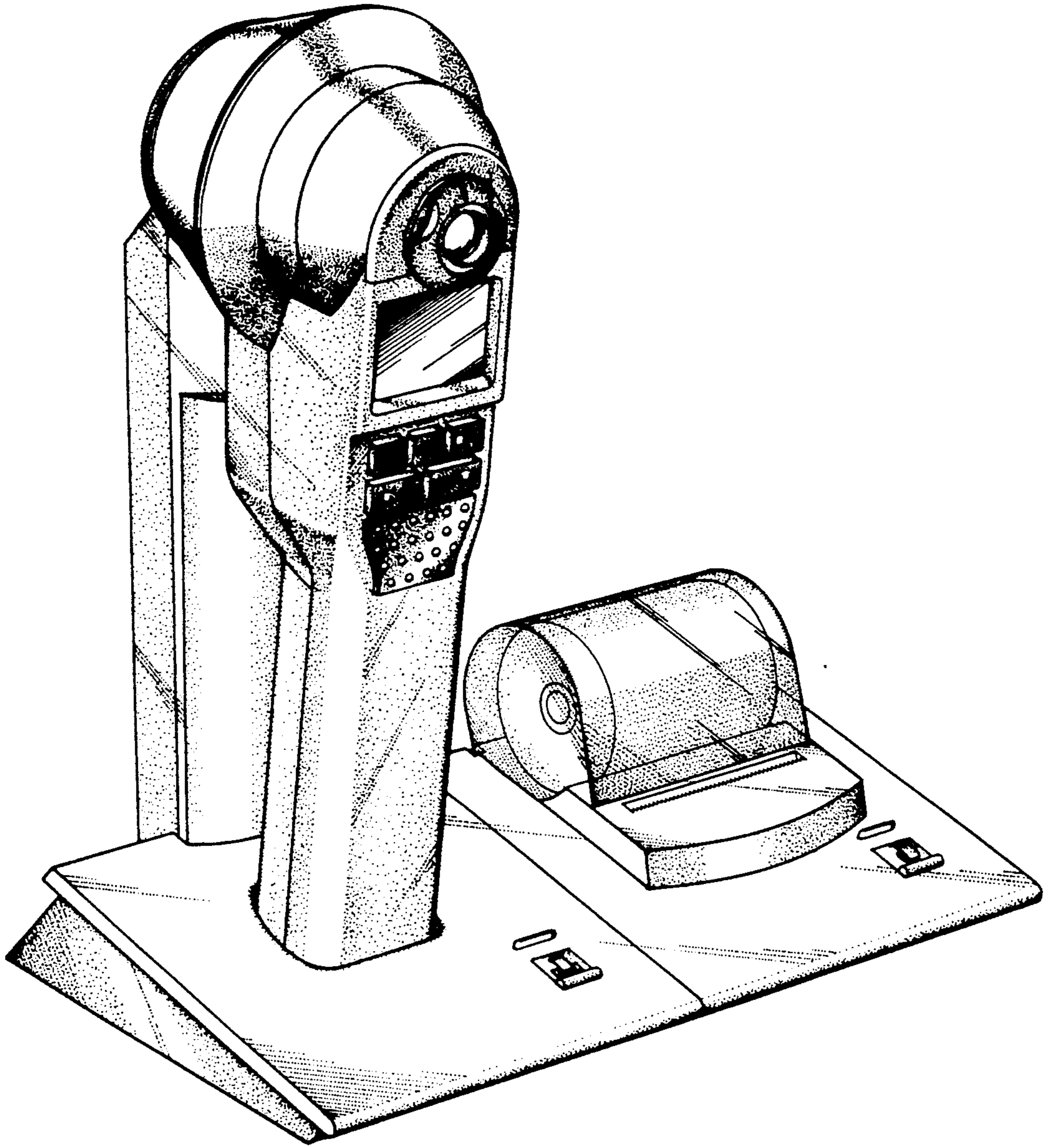
## [57] CLAIM

The ornamental design for an automated hand-held keratometer, as shown and described.

## DESCRIPTION

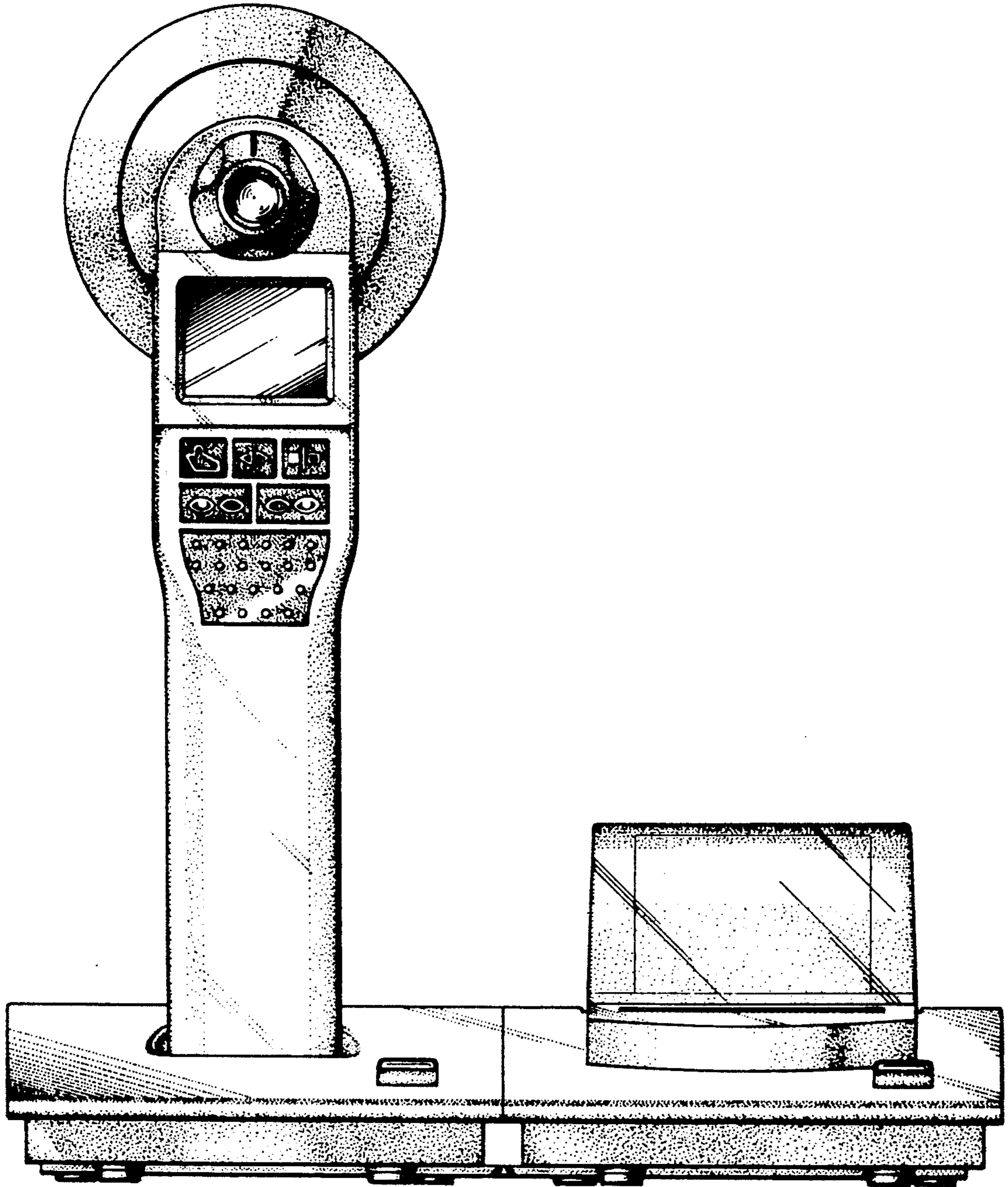
FIG. 1 is a perspective view of an automated hand-held keratometer showing our new design; FIG. 2 is a front elevational view of the automated hand-held keratometer illustrated in FIG. 1; FIG. 3 is a rear elevational view of the automated hand-held keratometer illustrated in FIG. 1; FIG. 4 is a left side elevational view of the automated hand-held keratometer illustrated in FIG. 1; FIG. 5 is a right side elevational view of the automated hand-held keratometer illustrated in FIG. 1; FIG. 6 is a top plan view of the automated hand-held keratometer illustrated in FIG. 1; FIG. 7 is a bottom plan view of the automated hand-held keratometer illustrated in FIG. 1; FIG. 8 is a perspective view of the hand-held unit, shown with the base unit removed for ease of illustration; FIG. 9 is a front elevational view of the automated hand-held keratometer illustrated in FIG. 8; FIG. 10 is a rear elevational view of the automated hand-held keratometer illustrated in FIG. 8; FIG. 11 is a left side elevational view of the automated hand-held keratometer illustrated in FIG. 8; FIG. 12 is a right side elevational view of the automated hand-held keratometer illustrated in FIG. 8; FIG. 13 is a top plan view of the automated hand-held keratometer illustrated in FIG. 8; and, FIG. 14 is a bottom plan view of the automated hand-held keratometer illustrated in FIG. 8.



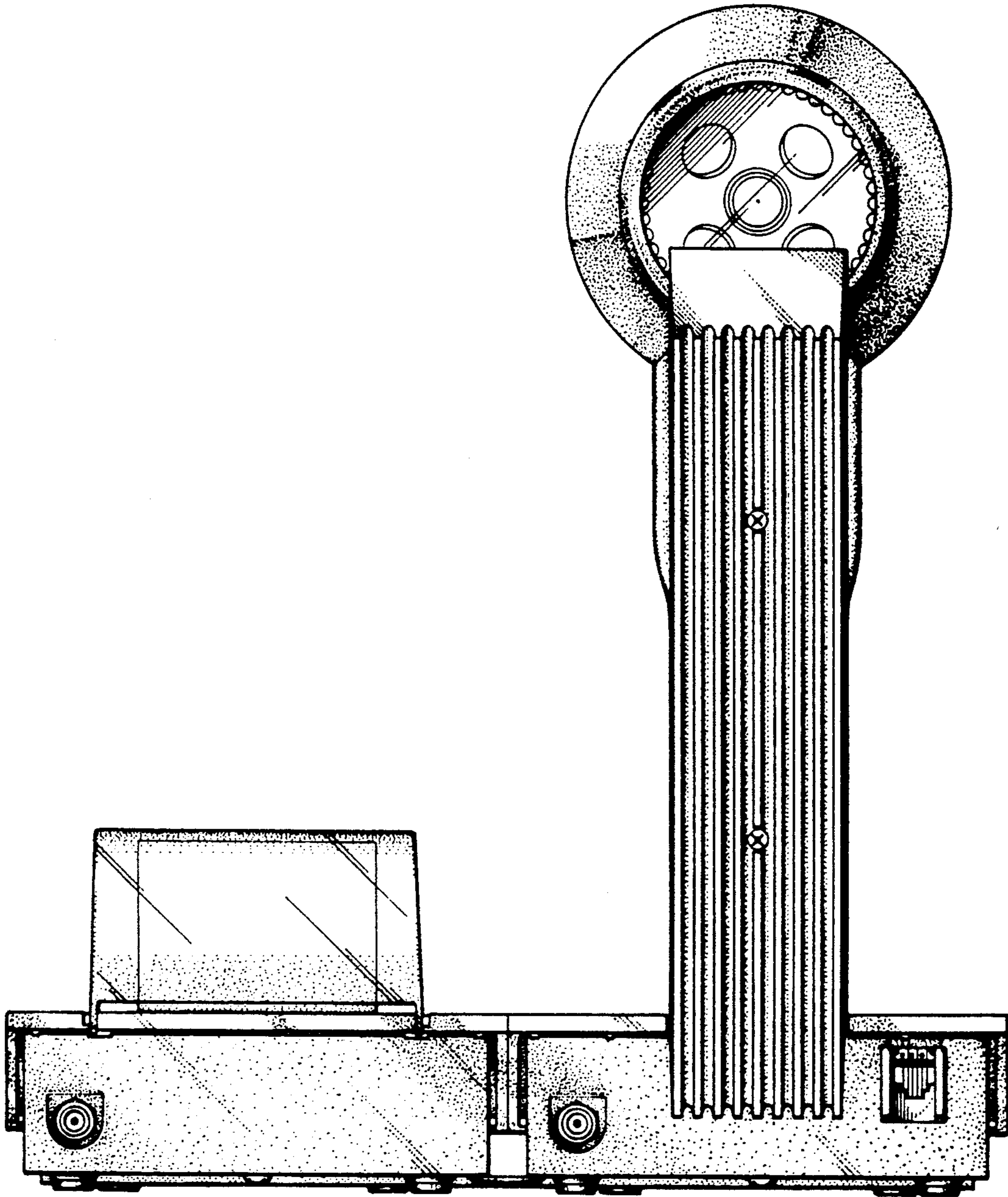


**FIG. 1**



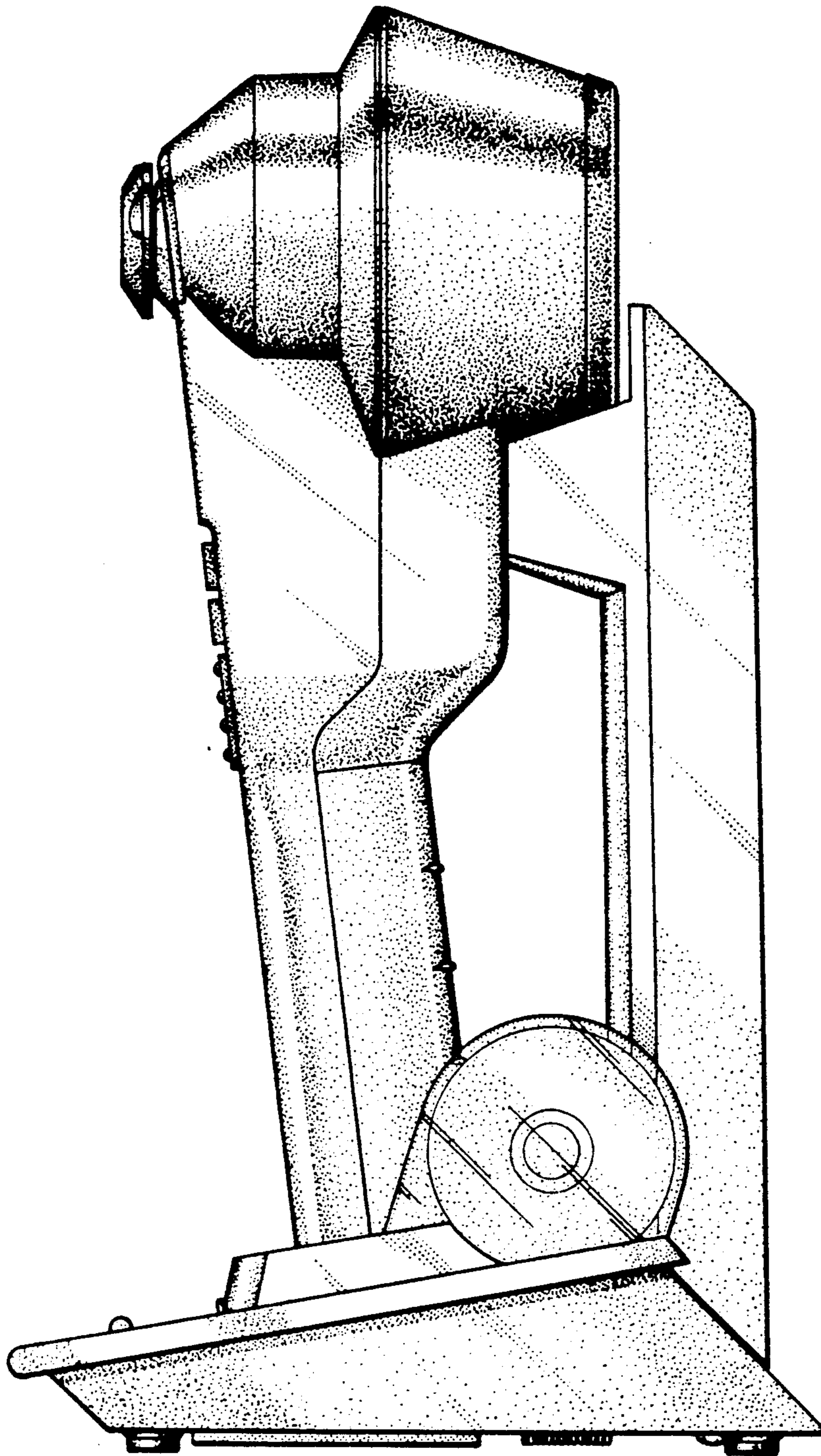


**FIG 2**

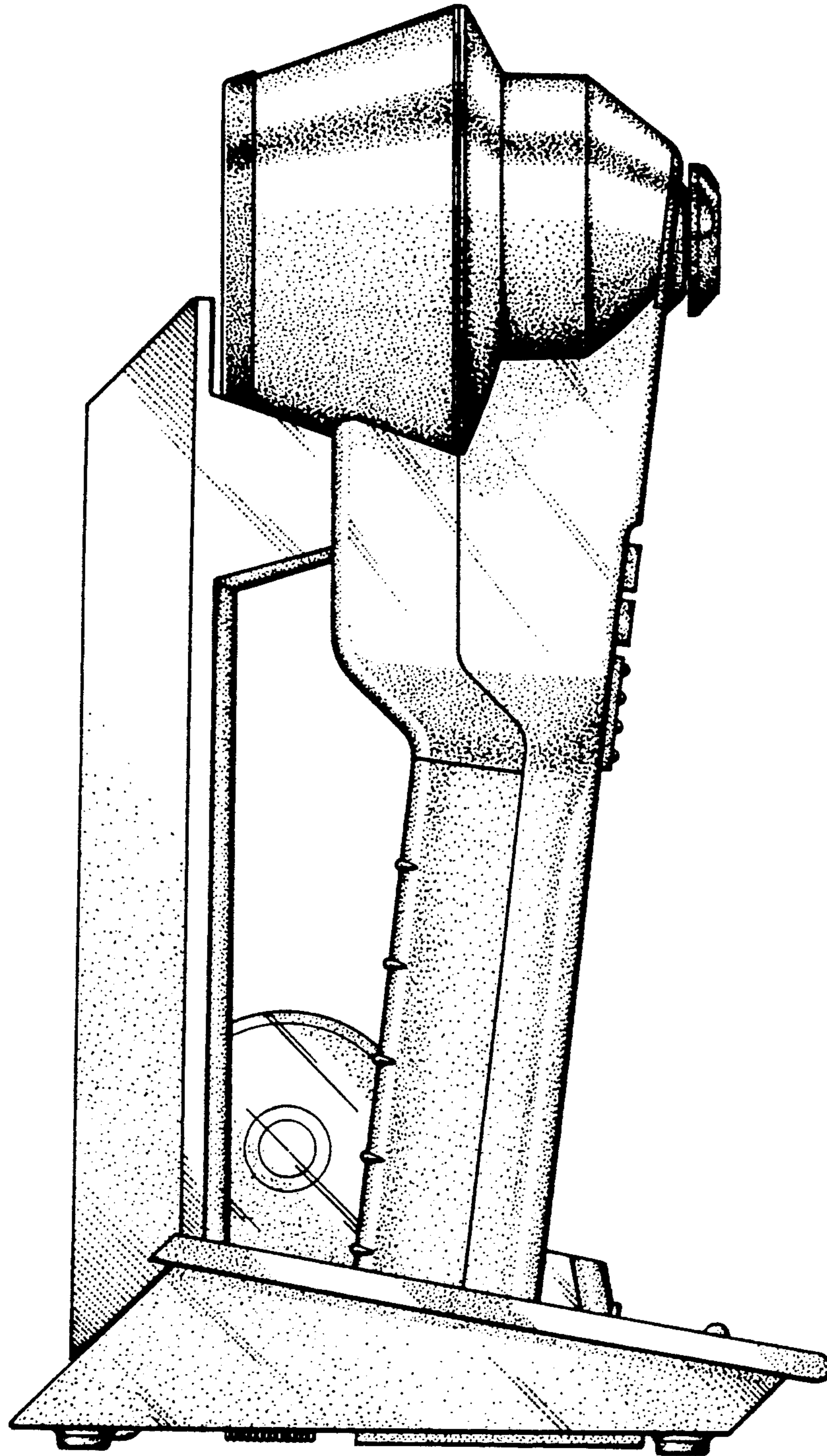


**FIG 3**



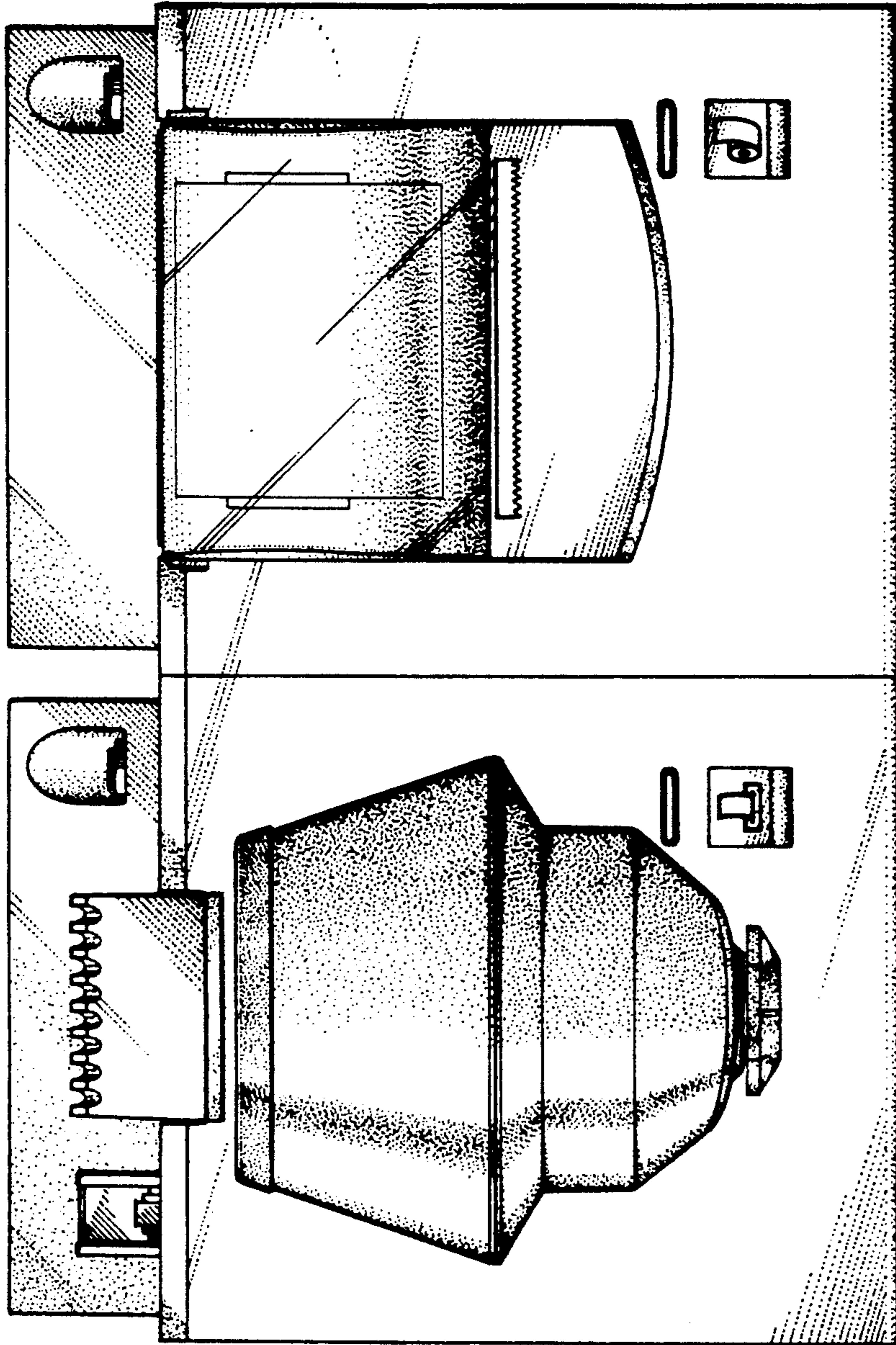


**FIG 4**

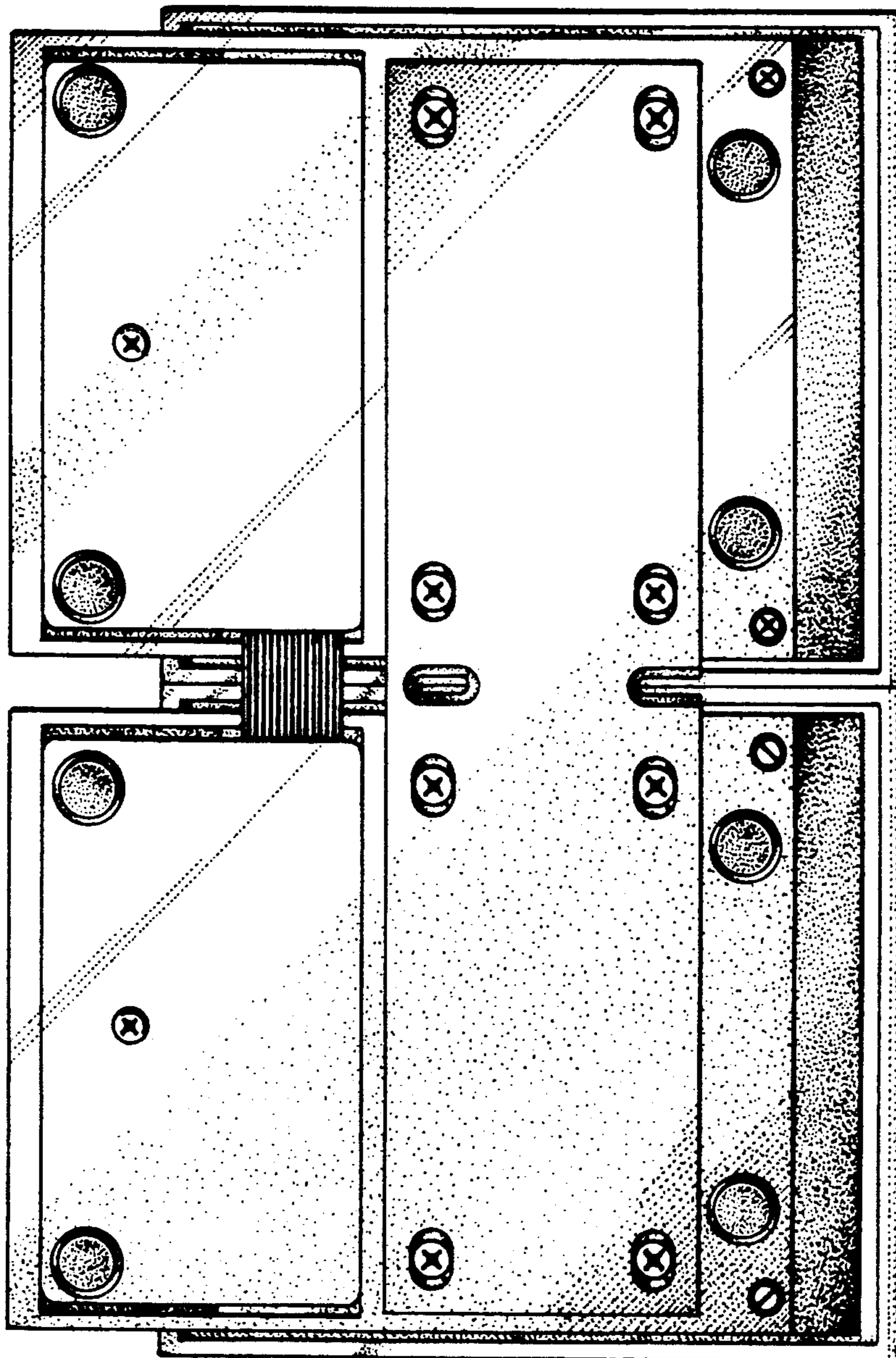


**FIG 5**



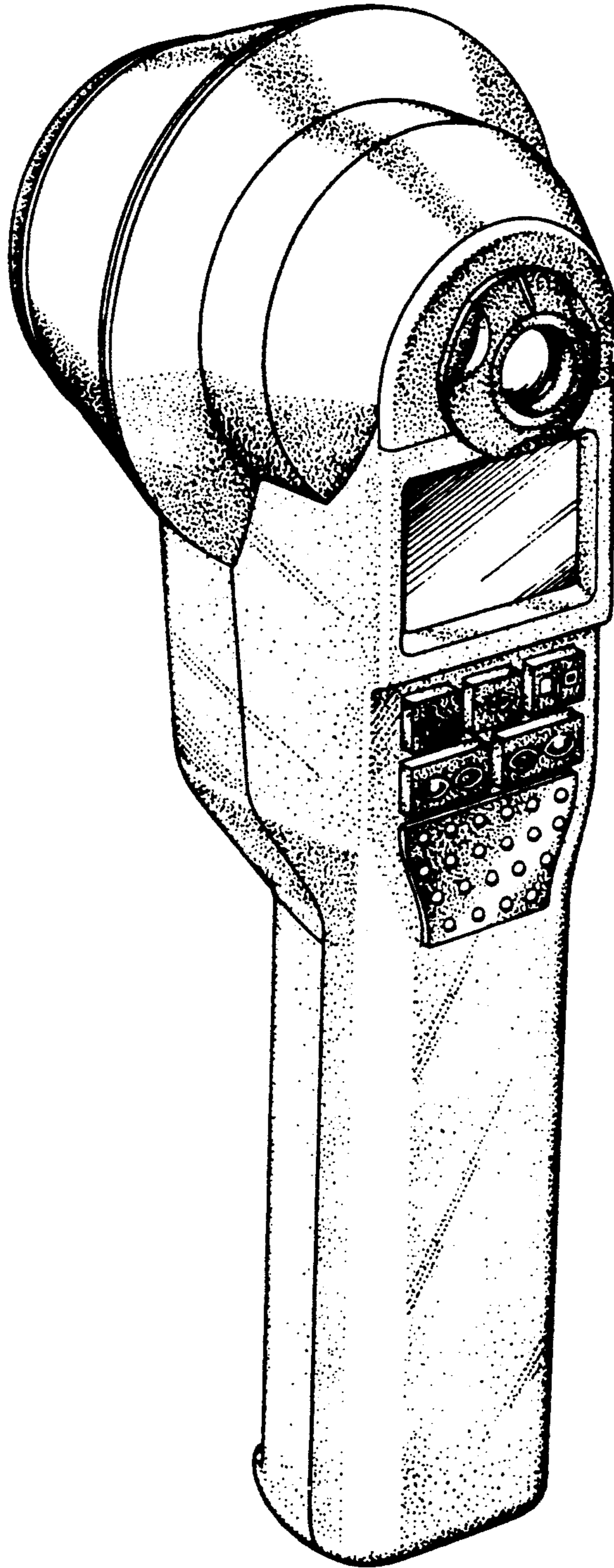


**FIG 6**

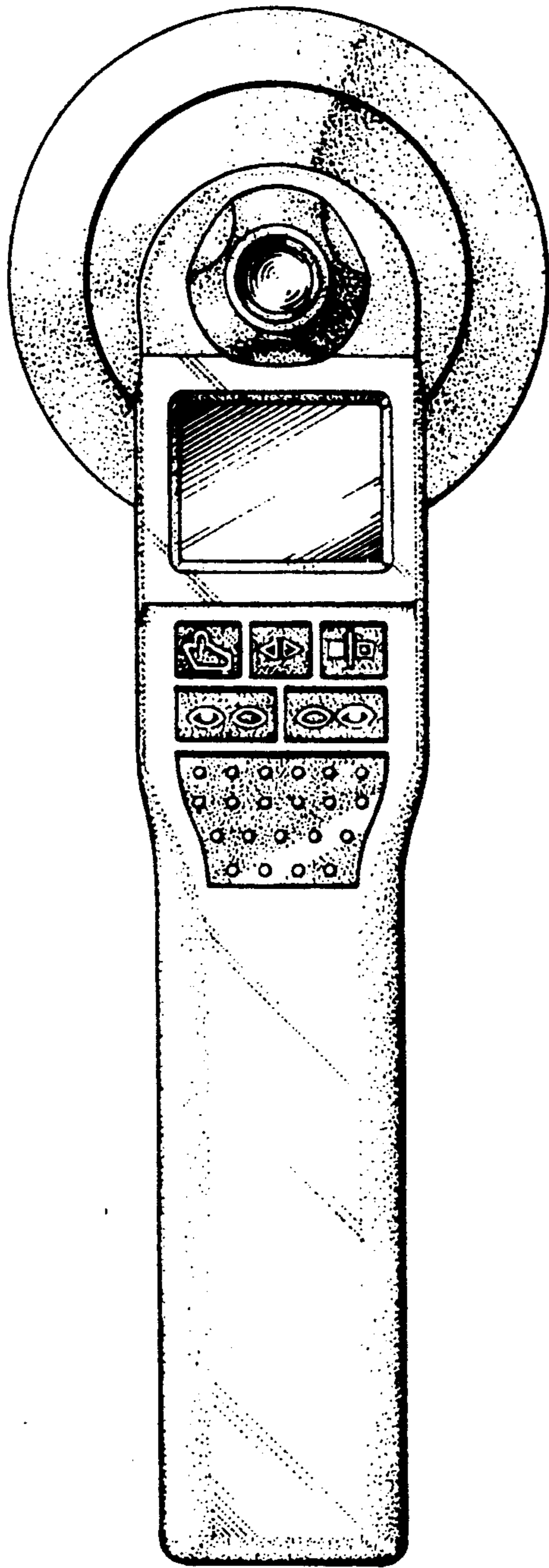


**FIG 7**

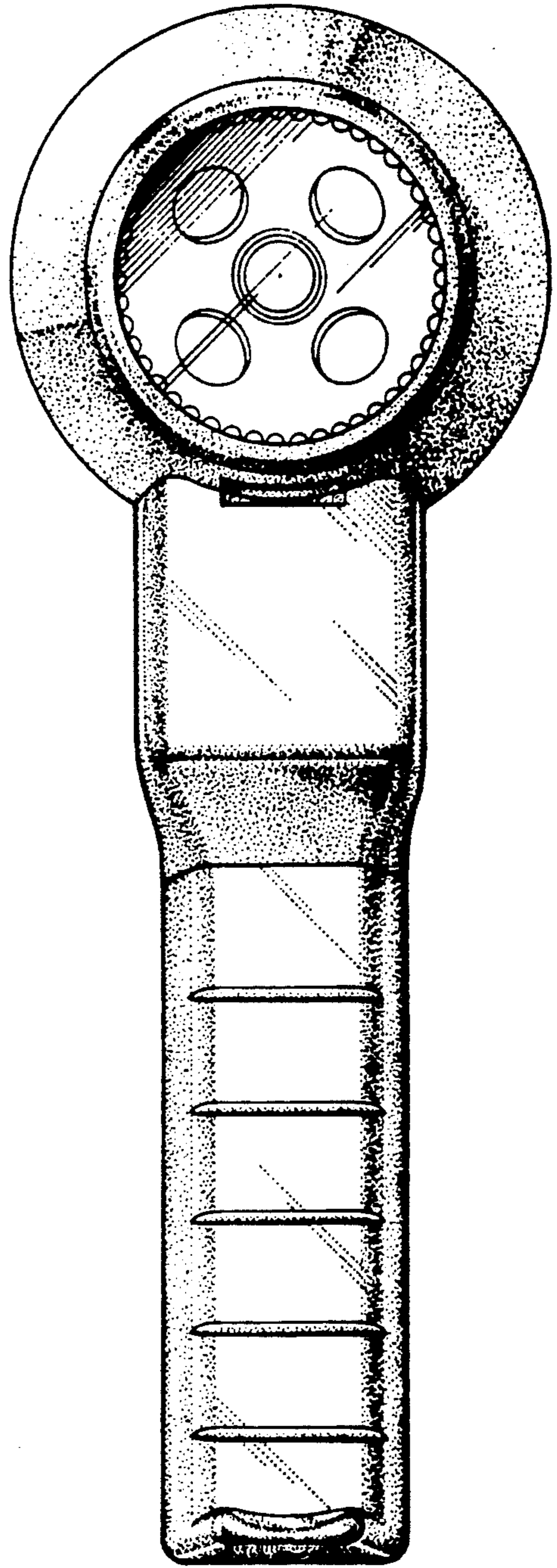




**FIG 8**

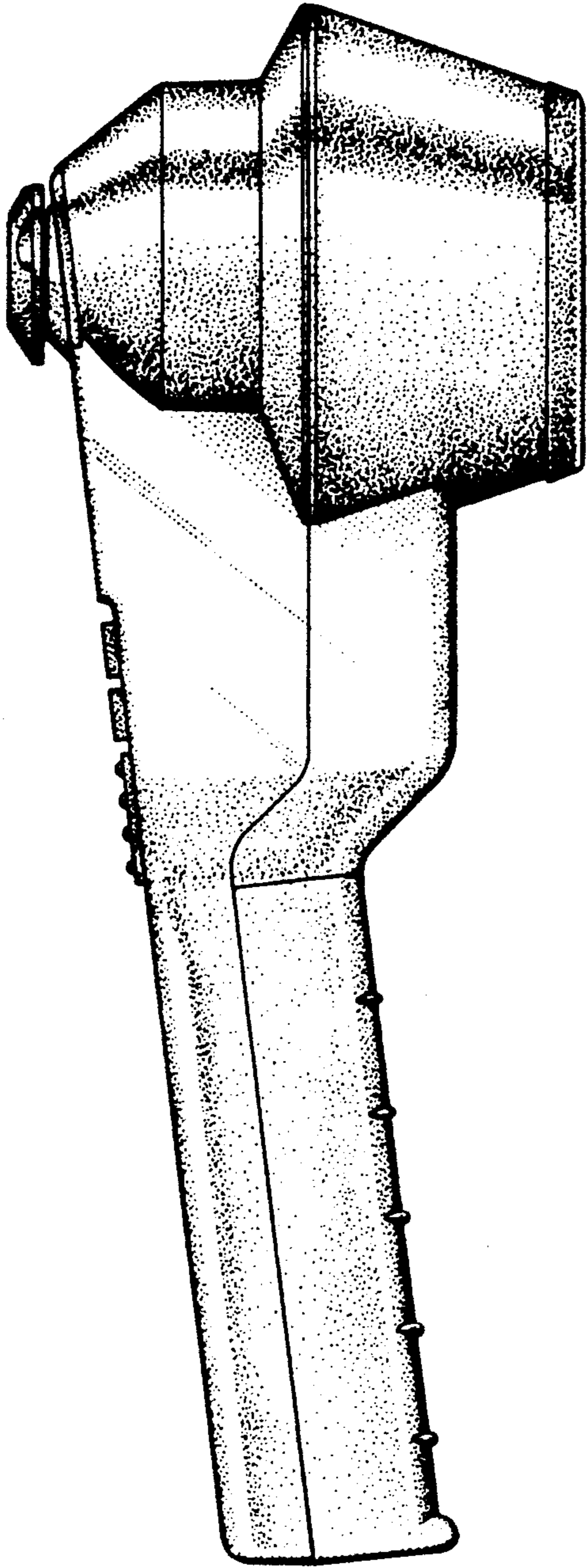


**FIG 9**

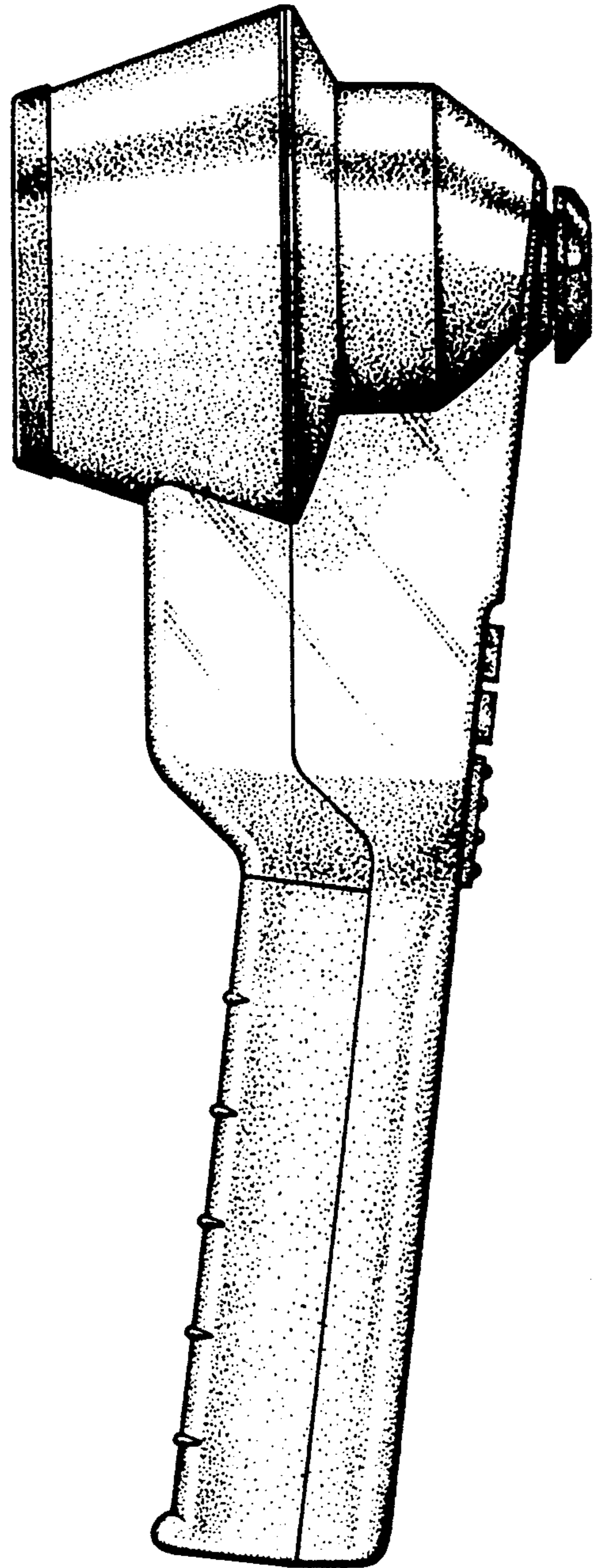


**FIG 10**

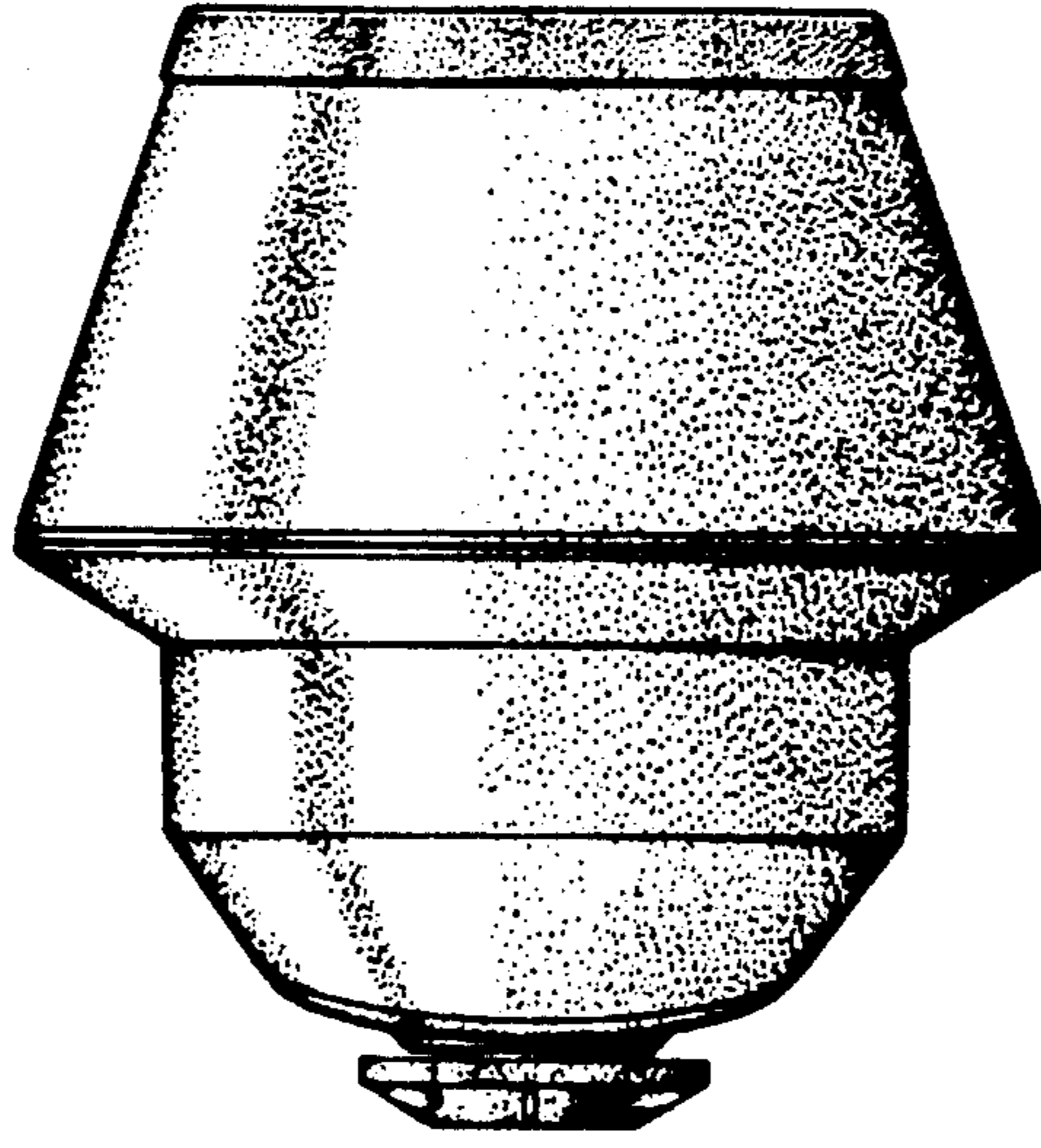




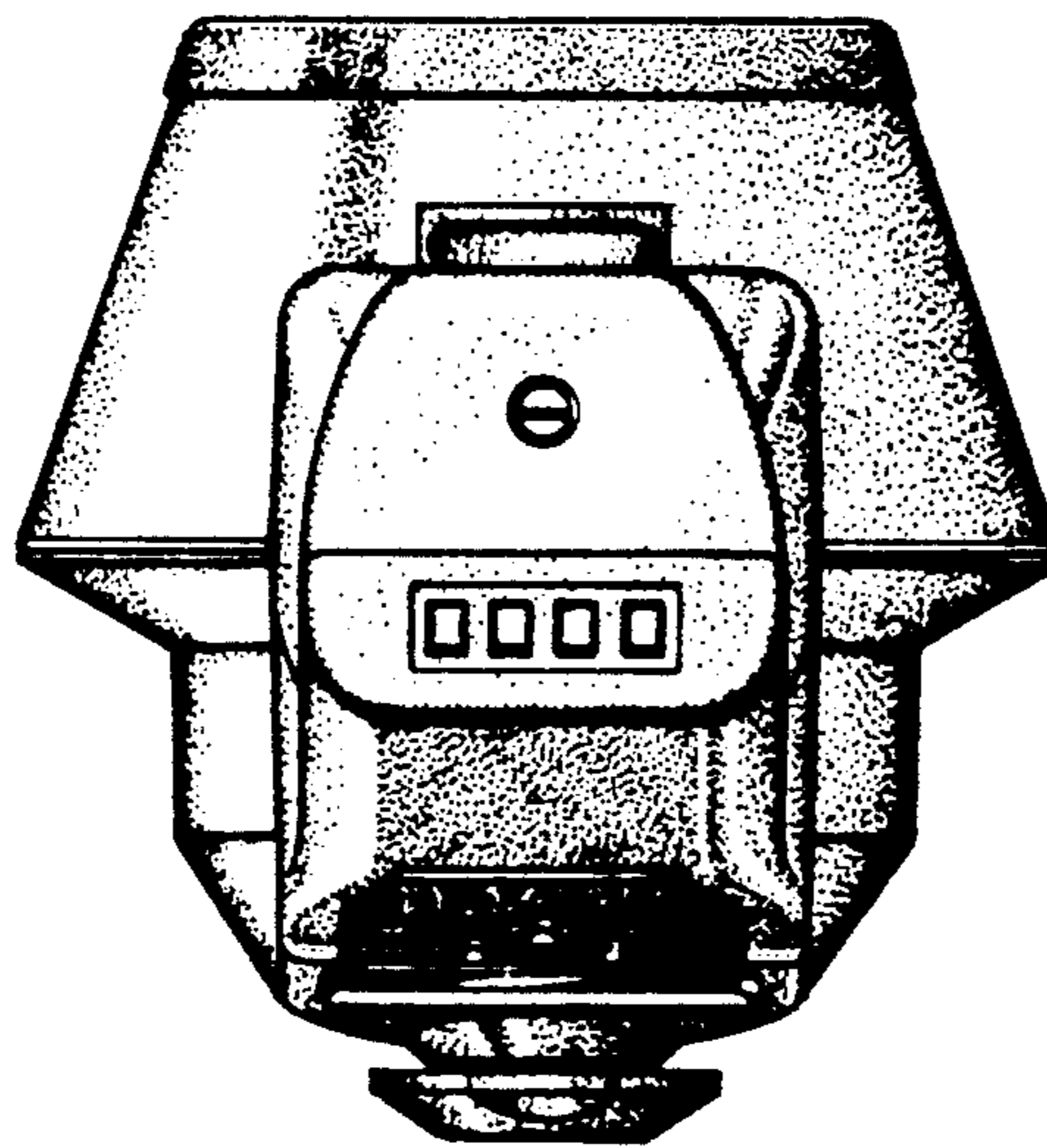
**FIG 11**



**FIG 12**



**FIG 13**



**FIG 14**