



US00D345212S

United States Patent [19]

[11] Patent Number: **Des. 345,212**

Brancel et al.

[45] Date of Patent: **** Mar. 15, 1994**

[54] **BIOPSY FORCEPS HANDLE**

5,152,778 10/1992 Bales, Jr. et al. 606/205

[75] Inventors: **Dale H. Brancel**, Colleyville;
Clarence D. Zierhut, Garland, both
of Tex.

Primary Examiner—Stella Reid
Assistant Examiner—I. Simmons
Attorney, Agent, or Firm—Robert A. Felsman

[73] Assignee: **Dexide, Inc.**, Fort Worth, Tex.

[57] **CLAIM**

[**] Term: **14 Years**

The ornamental design for a biopsy forceps handle, as shown and described.

[21] Appl. No.: **756,756**

DESCRIPTION

[22] Filed: **Sep. 9, 1991**

[52] U.S. Cl. **D24/143; D24/146**

[58] Field of Search 128/749, 751, 755;
604/206, 205, 207, 208; D24/138, 143, 146, 147

FIG. 1 is a left-side elevational view of the biopsy forceps handle;

FIG. 2 is a right-side elevational view thereof;

FIG. 3 is a three-quarter's perspective view of rear, left and topsides of the invention;

FIG. 4 is an enlarged top plan view thereof;

FIG. 5 is an enlarged bottom-view thereof; and,

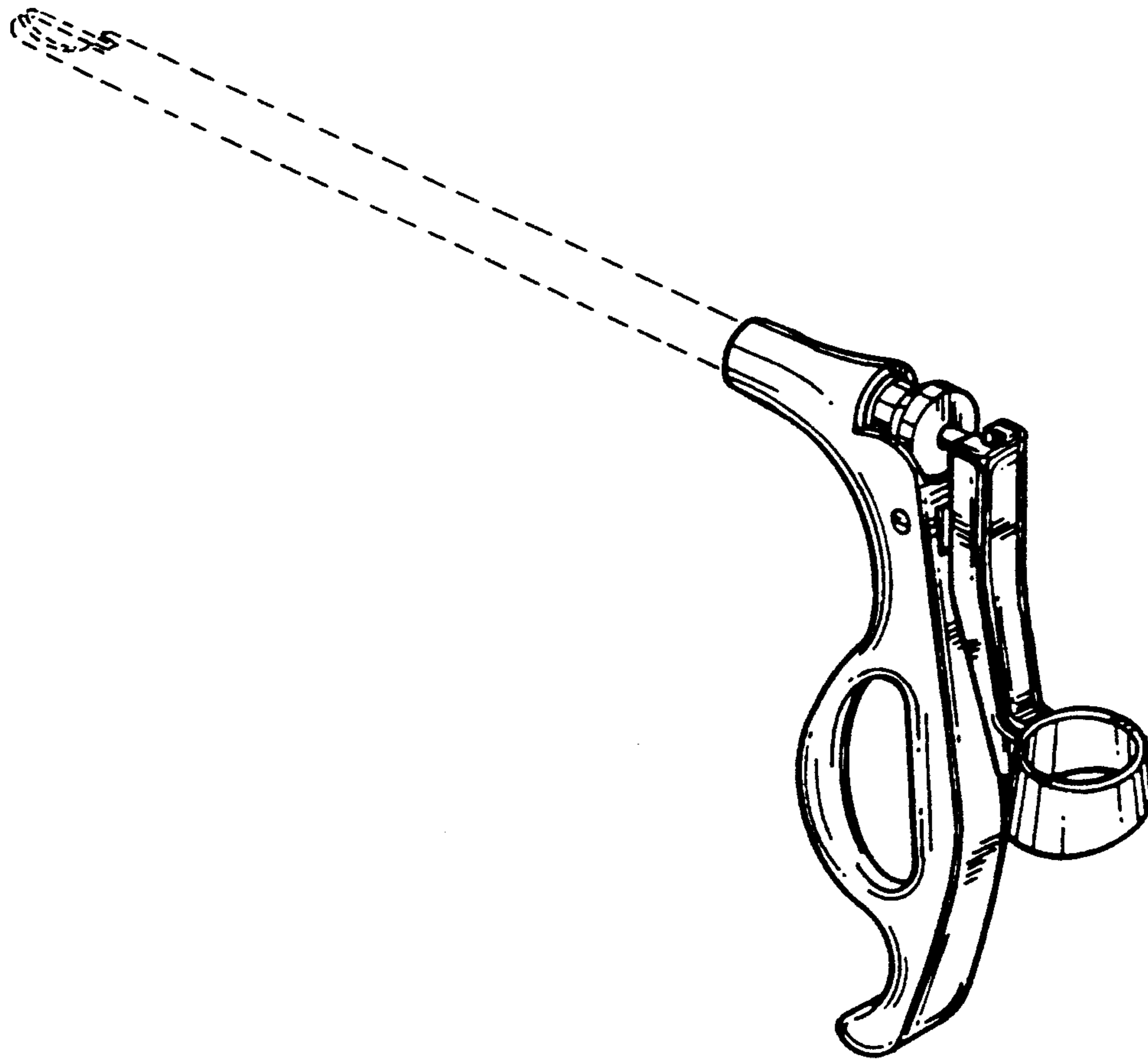
FIG. 6 is a front elevational enlarged view of the invention.

The broken line showing of the probe and hand in FIGS. 1-5 is for illustrative purposes only and forms no part of the claimed design.

[56] **References Cited**

U.S. PATENT DOCUMENTS

D. 272,855	2/1984	Bel et al.	D24/143
D. 274,096	5/1984	Shutt	D24/143
D. 289,437	4/1987	Honkanen	D24/148
D. 331,109	11/1992	McWhinney et al.	D24/143
5,059,201	10/1991	Asnis	606/148 X



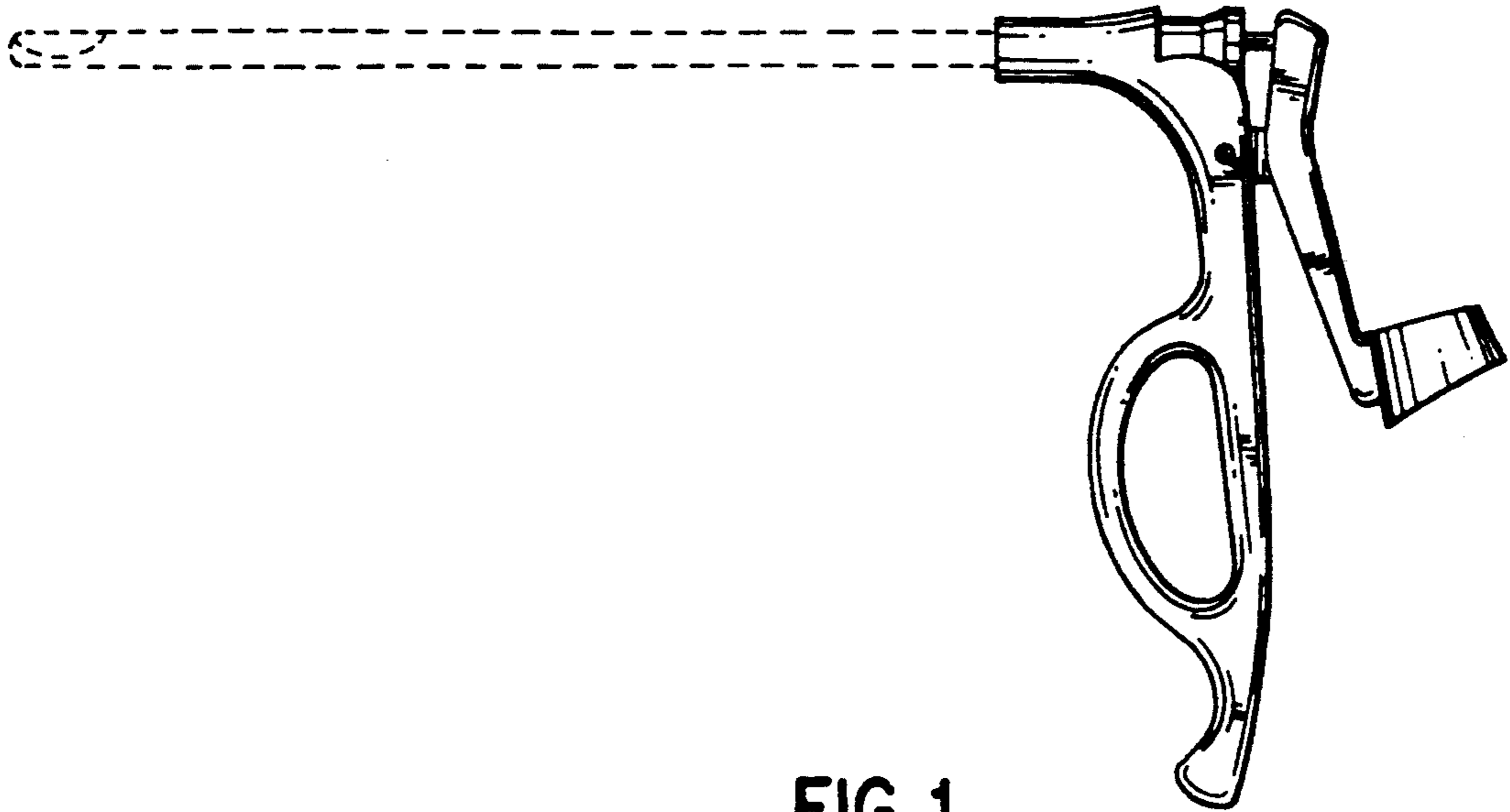


FIG. 1

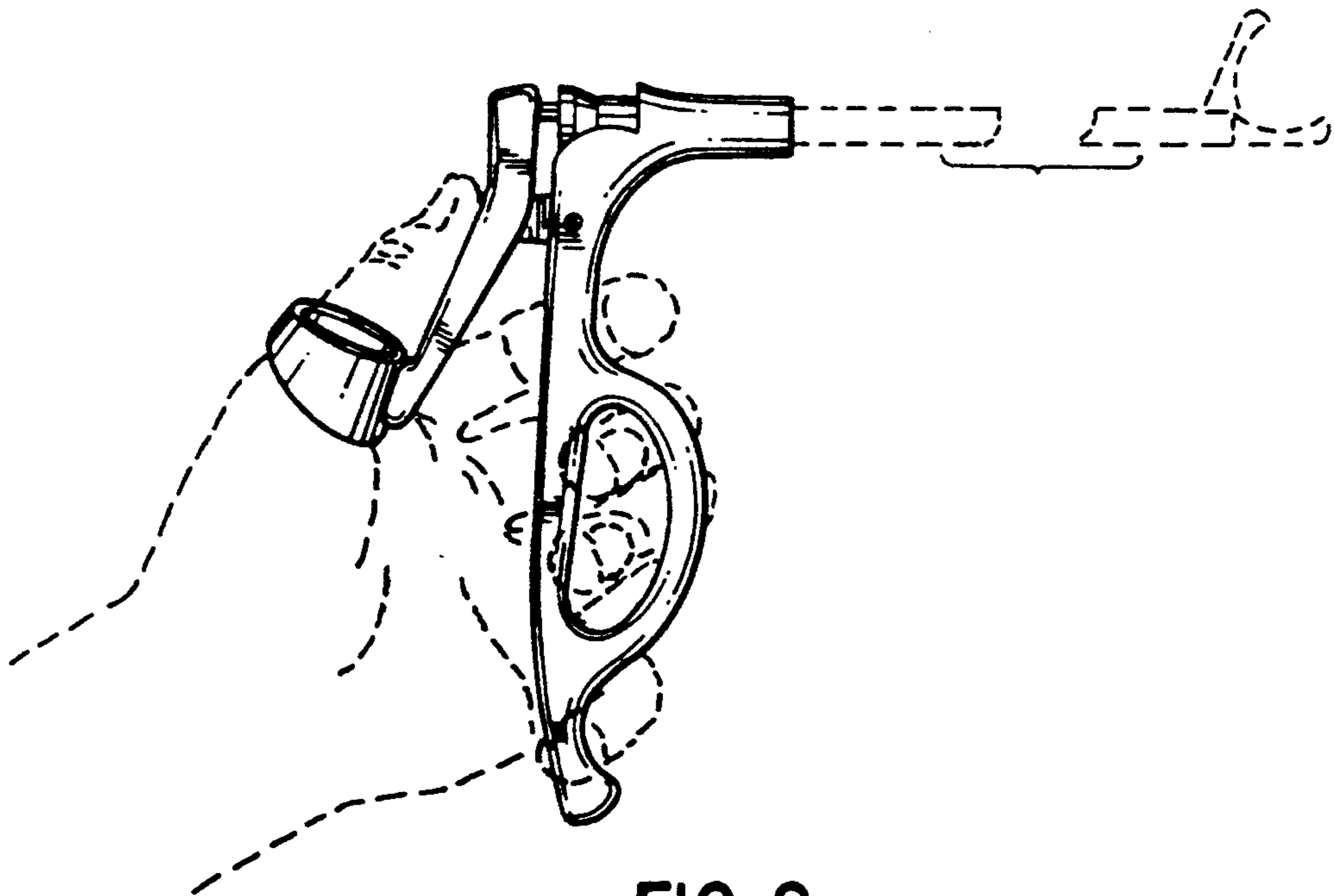


FIG. 2

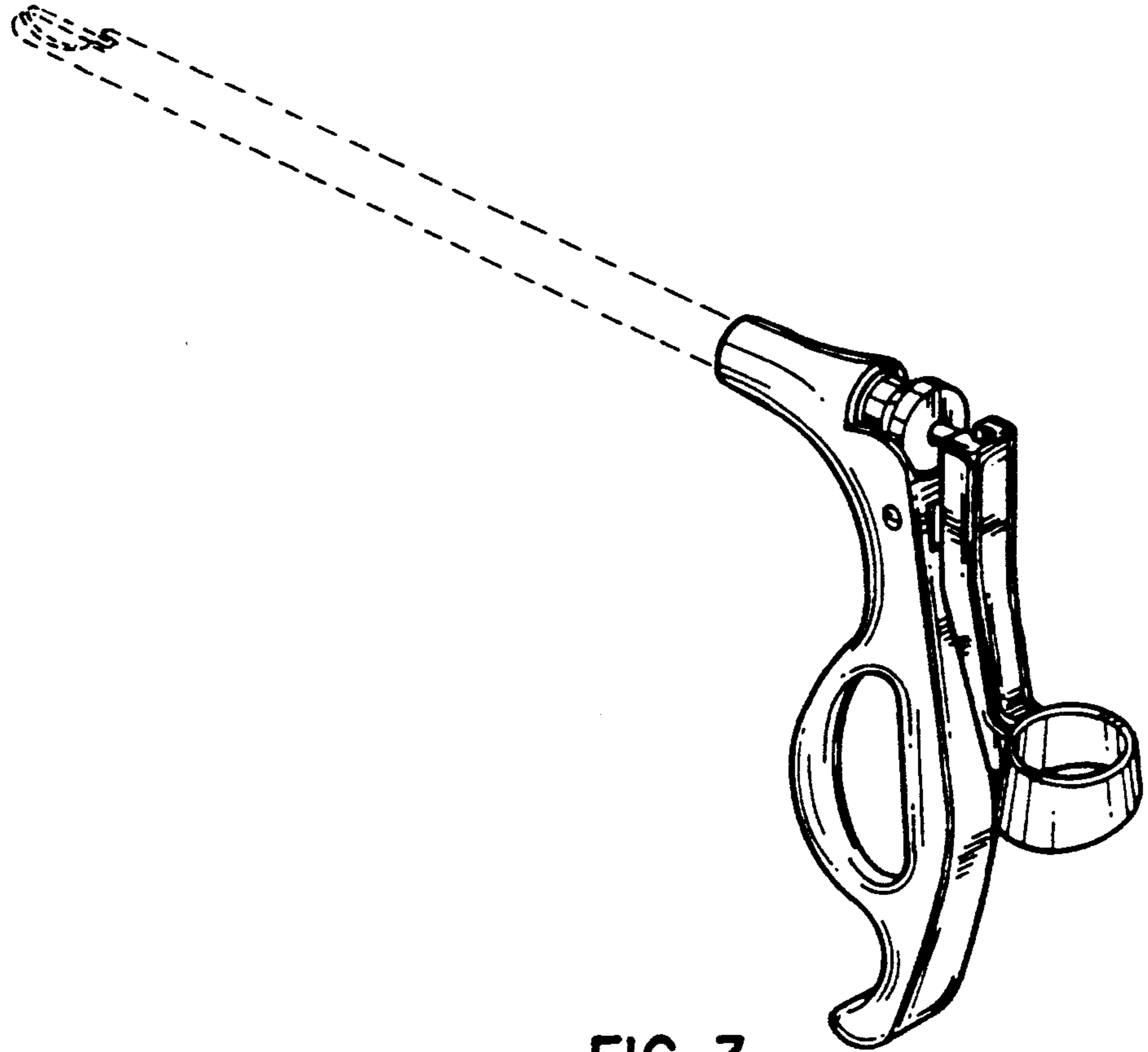


FIG. 3

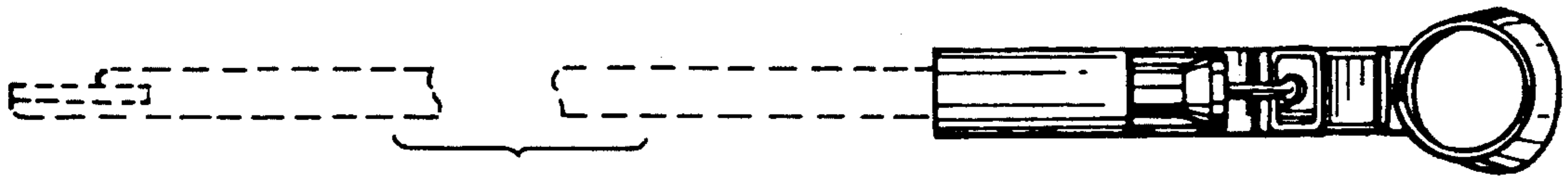


FIG. 4

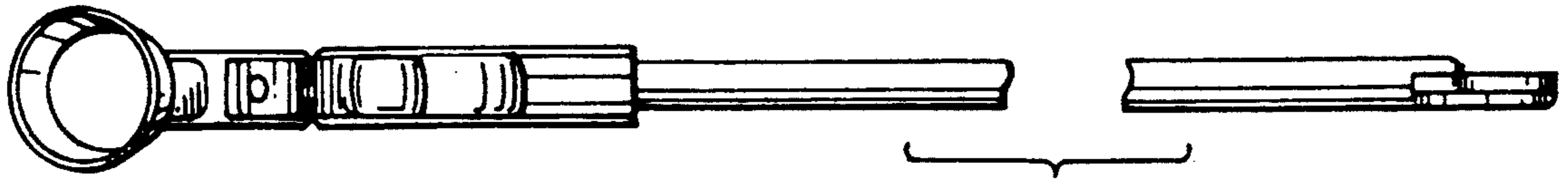


FIG. 5

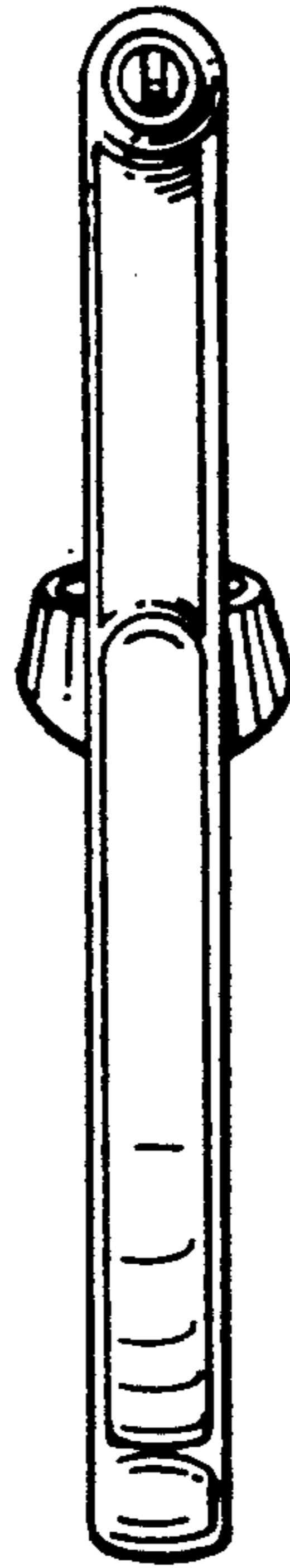


FIG. 6